



US00D447434B1

(12) **United States Design Patent**
Cowan et al.

(10) **Patent No.:** **US D447,434 S**

(45) **Date of Patent:** **** Sep. 4, 2001**

(54) **DIGITAL SOUND RELAXATION AND SLEEP-INDUCING SYSTEM**

D. 408,312 * 4/1999 Sirois et al. D10/116
5,867,580 * 2/1999 Anderson et al. 381/61

(75) **Inventors:** **Neal Thomas Cowan; Kevin Bailey; Robert David Watters**, all of Ottawa (CA)

* cited by examiner

Primary Examiner—Stella Reid

(74) *Attorney, Agent, or Firm*—Albert Peter Durigon

(73) **Assignee:** **Headwaters Research & Development, Inc.**, Ottawa (CA)

(57) **CLAIM**

(**) **Term:** **14 Years**

The ornamental design for a digital sound relaxation and sleep-inducing system, as shown and described.

(21) **Appl. No.:** **29/093,975**

DESCRIPTION

(22) **Filed:** **Sep. 23, 1998**

FIG. 1 is a front view of the digital sound relaxation and sleep-inducing system of the present invention; FIG. 2 is a rear view of the digital sound relaxation and sleep-inducing system of the present invention; FIG. 3 is a top view of the digital sound relaxation and sleep-inducing system of the present invention; FIG. 4 is a bottom view of the digital sound relaxation and sleep-inducing system of the present invention; FIG. 5 is a right side view of the digital sound relaxation and sleep-inducing system of the present invention; and, FIG. 6 is a left side view of the digital sound relaxation and sleep-inducing system of the present invention.

(51) **LOC (7) Cl.** **10-05**

(52) **U.S. Cl.** **D10/116**

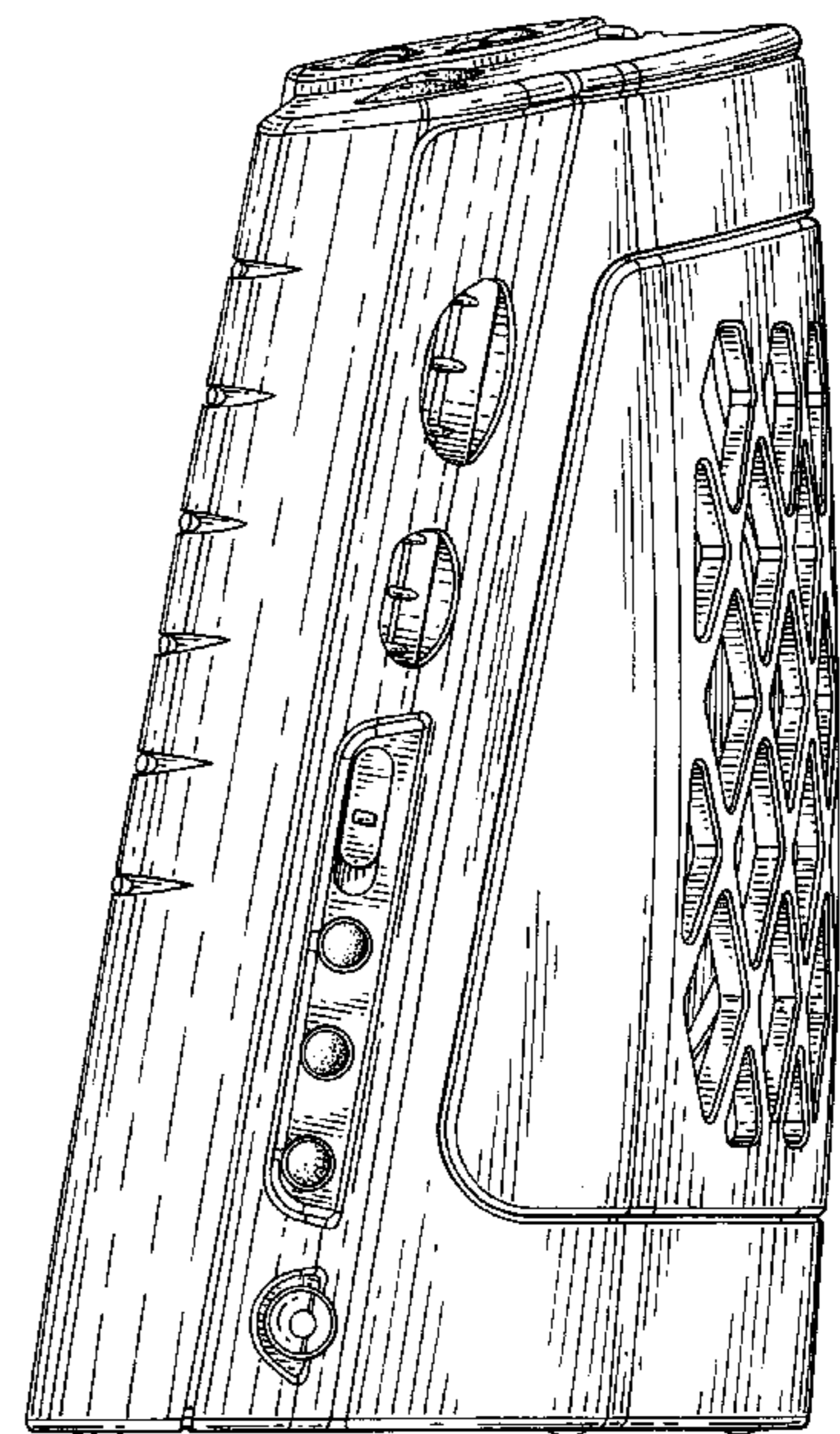
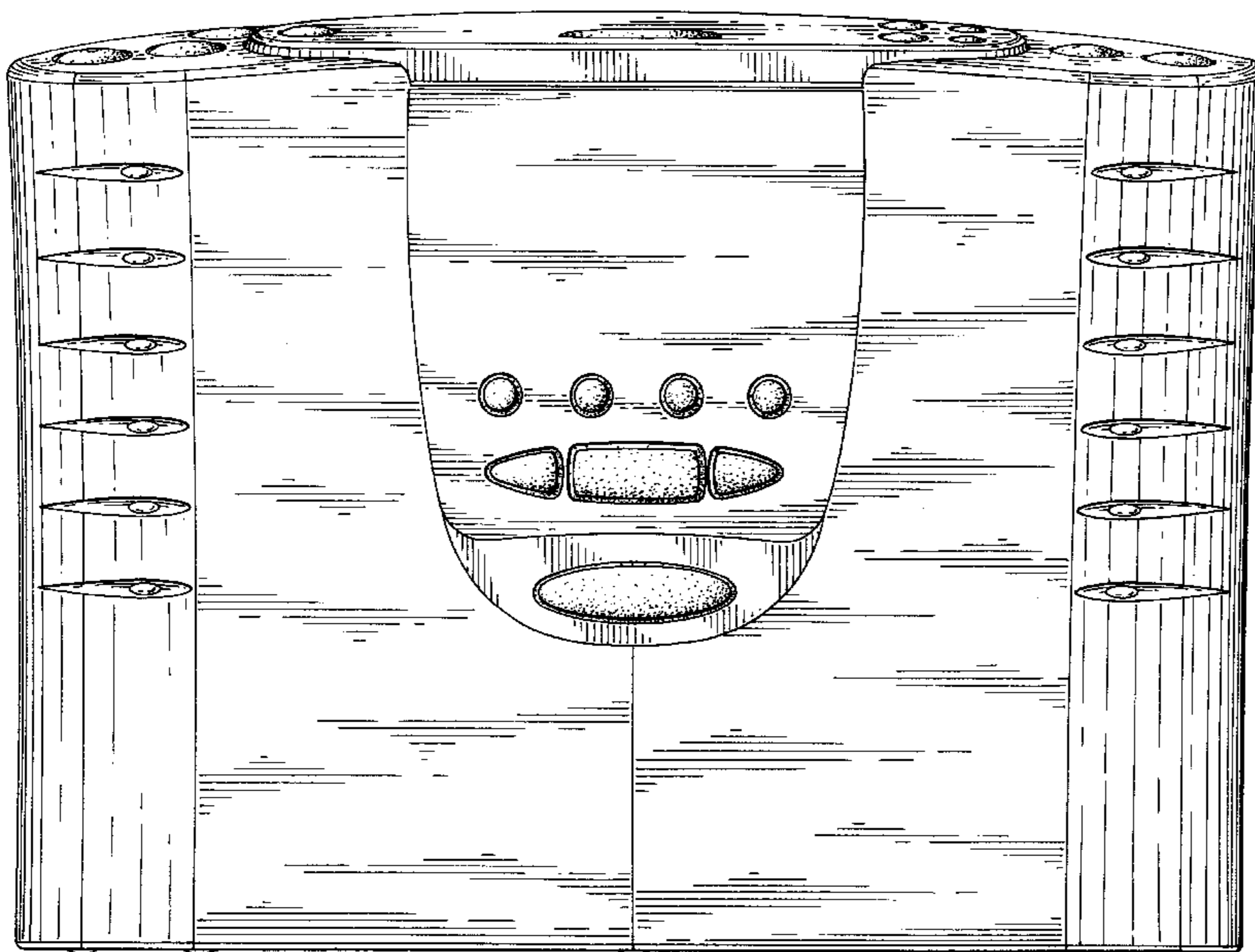
(58) **Field of Search** D24/188; D10/116; D14/156; 381/61, 62, 63; 340/825.25, 825.24; 607/141, 72, 64, 54; 600/27, 26; 601/90, 98

(56) **References Cited**

U.S. PATENT DOCUMENTS

D. 396,855 * 8/1998 Barbeau et al. D14/124
D. 399,320 * 10/1998 Barbeau et al. D24/231

1 Claim, 6 Drawing Sheets



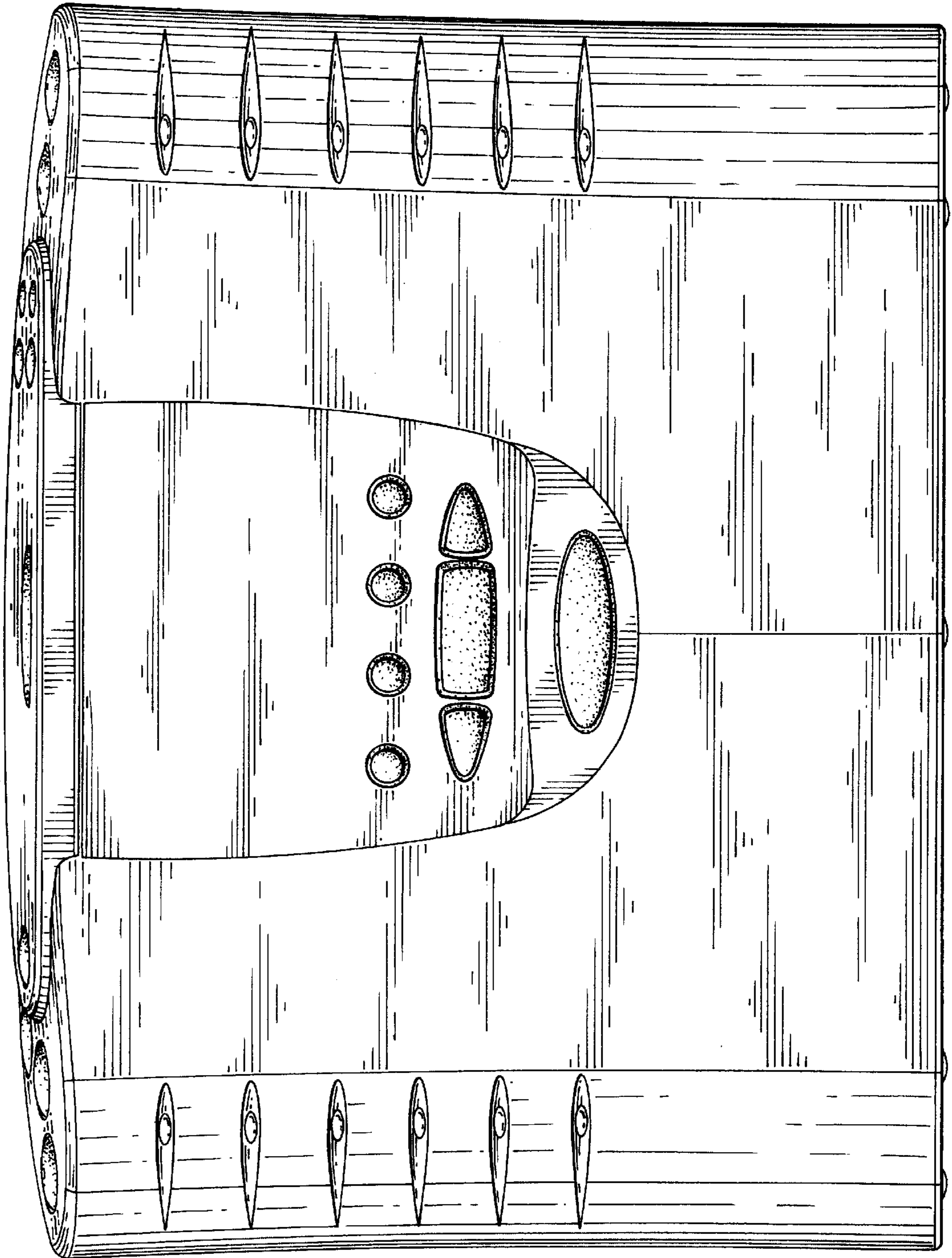


FIG. 1

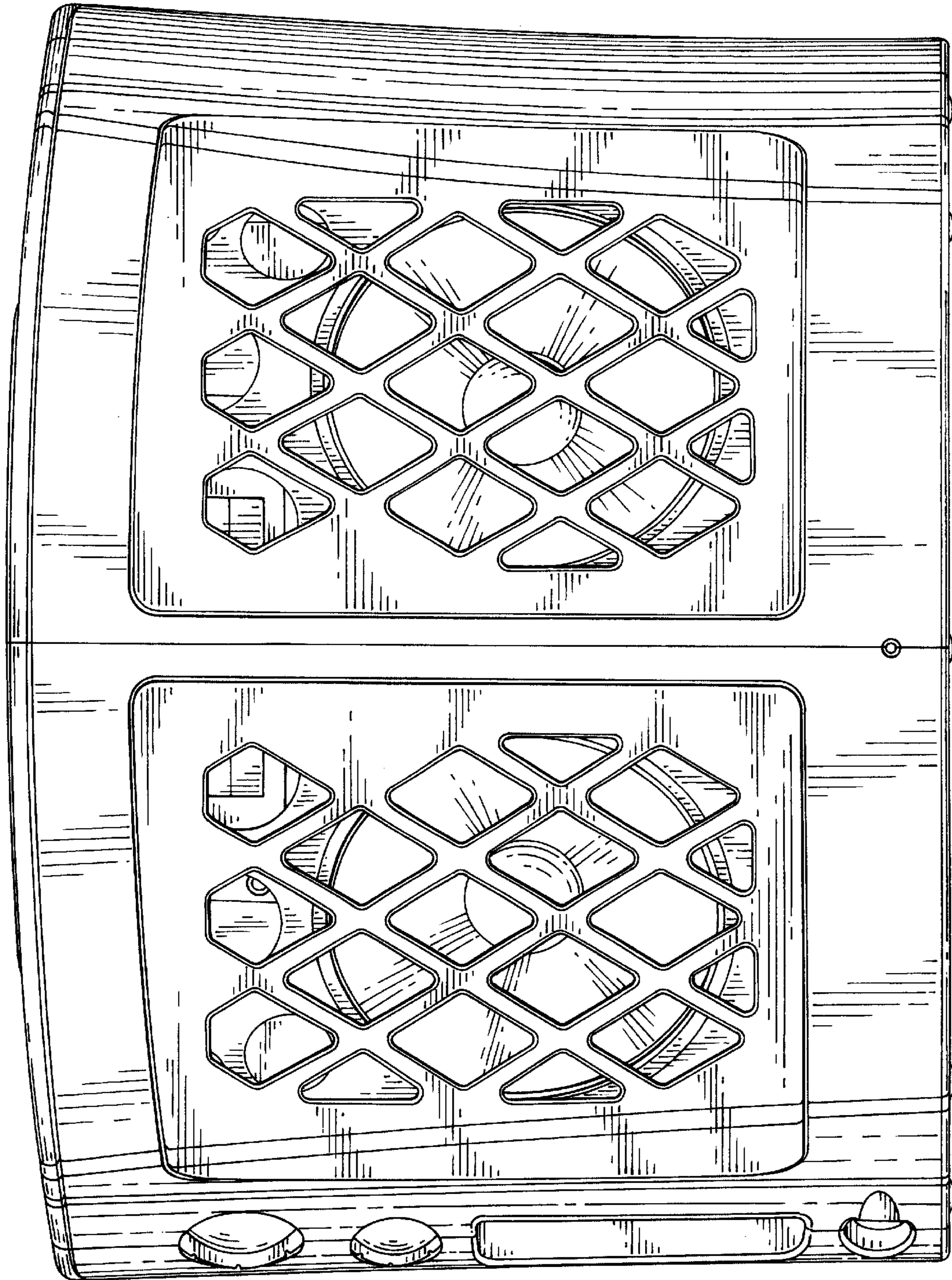


FIG. 2

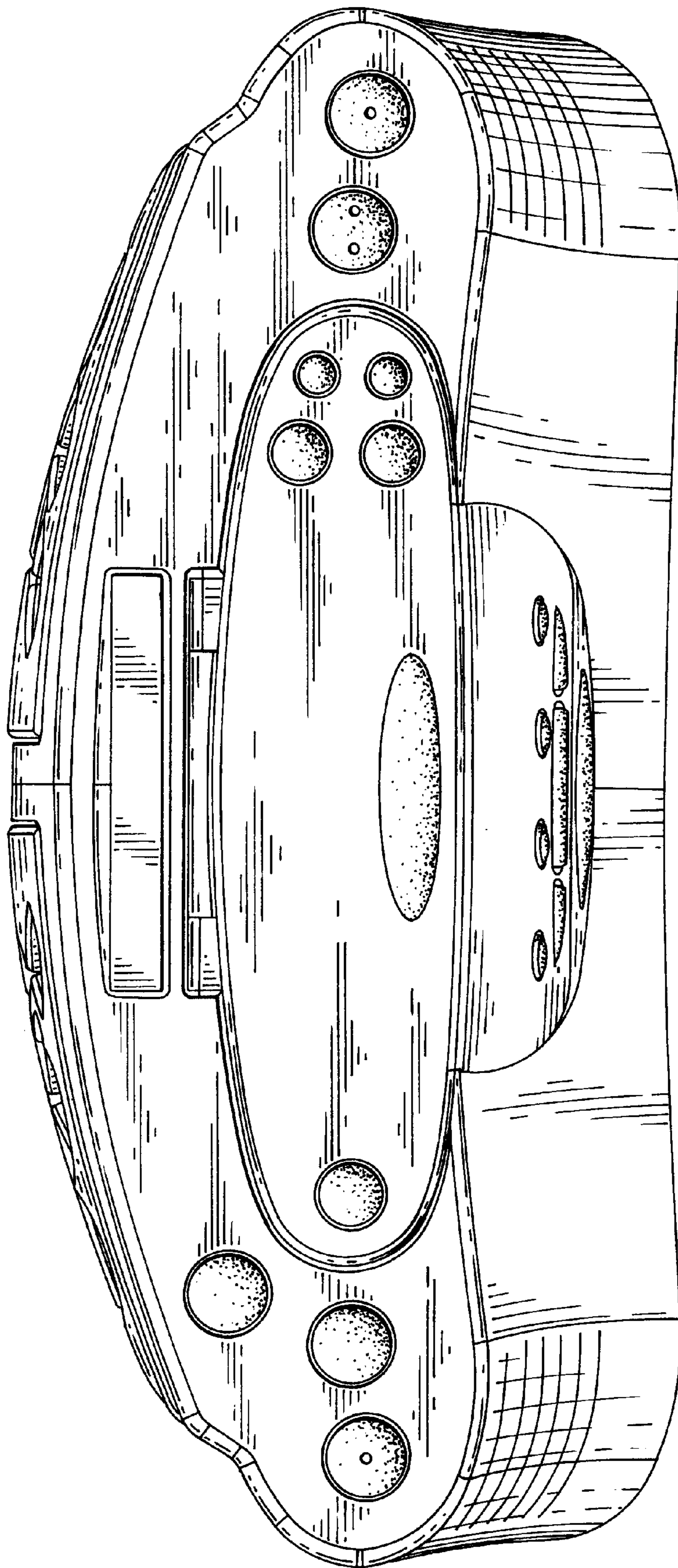


FIG. 3

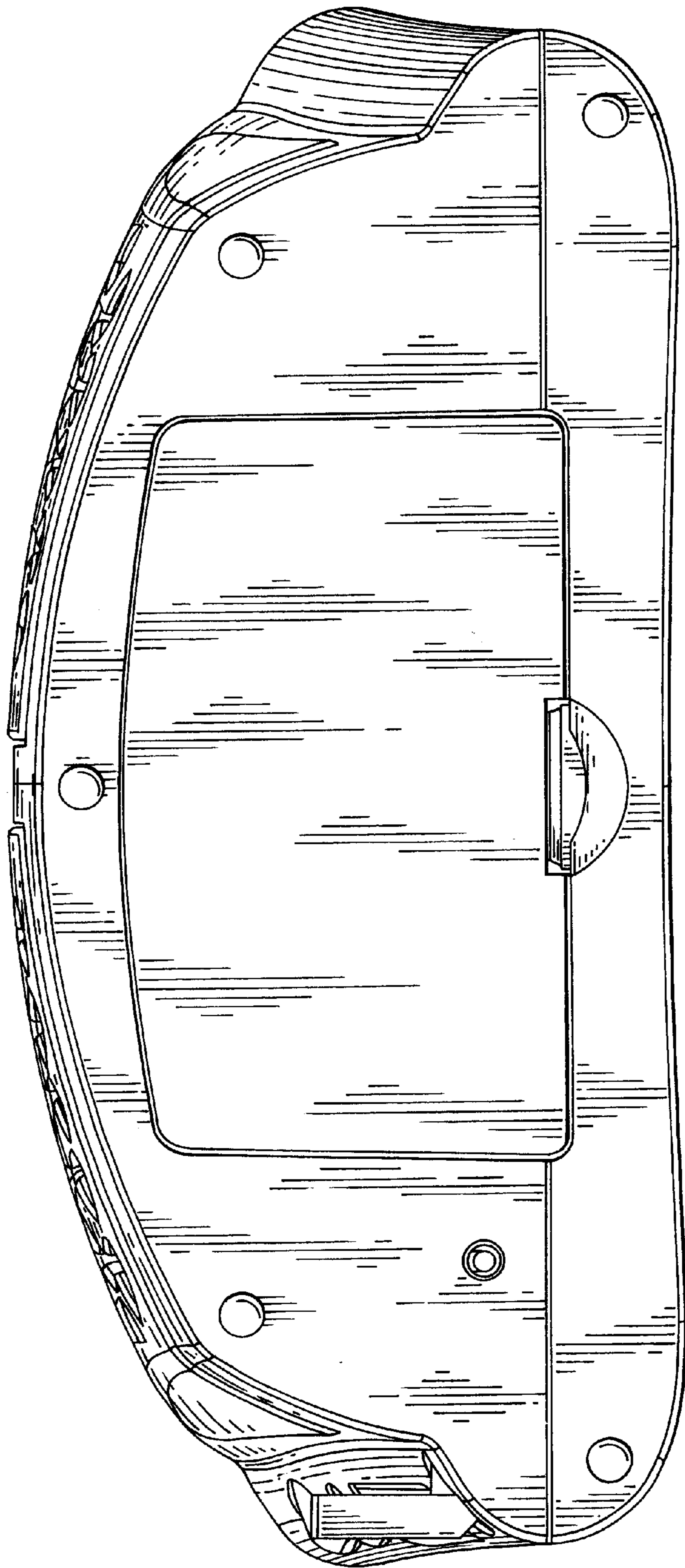


FIG. 4

FIG. 5

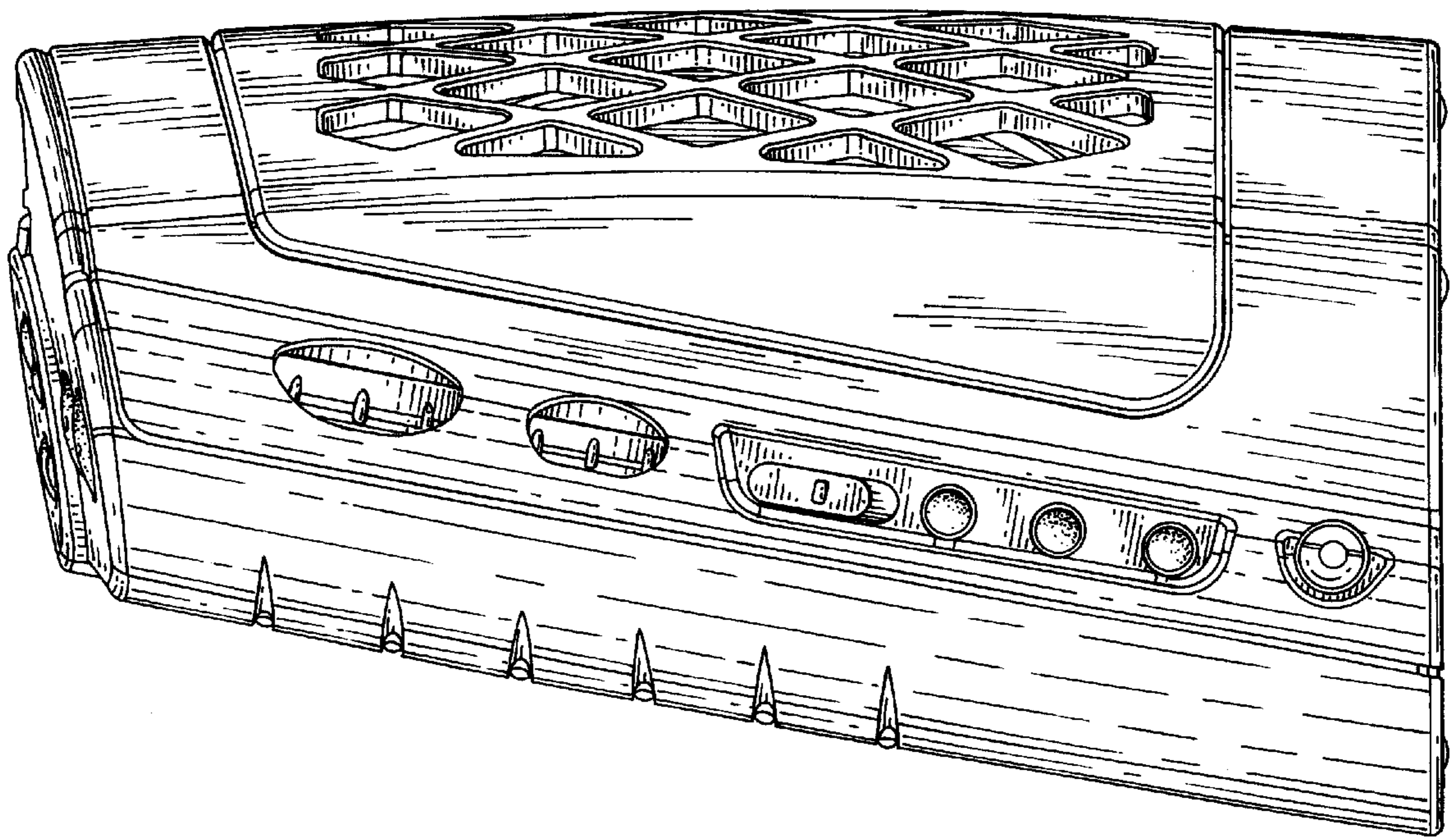


FIG. 6

