



US00D447433B1

(12) **United States Design Patent**  
**Kwok**

(10) **Patent No.:** **US D447,433 S**

(45) **Date of Patent:** **\*\* Sep. 4, 2001**

(54) **REMOTE SIGNAL RECEIVER UNIT FOR GAME CONSOLES**

D. 420,612 \* 2/2000 Davis ..... D10/104

\* cited by examiner

(75) Inventor: **Ronny Nam Wong Kwok**, Shatin (HK)

*Primary Examiner*—Marcus A. Jackson

(73) Assignee: **Saitek Ltd.**, Kowloon (HK)

(74) *Attorney, Agent, or Firm*—Foley, Hoag & Eliot LLP

(\*\*) Term: **14 Years**

(57) **CLAIM**

The ornamental design for a “remote signal receiver unit for game consoles”, as shown and described.

(21) Appl. No.: **29/129,942**

**DESCRIPTION**

(22) Filed: **Sep. 25, 2000**

(51) **LOC (7) Cl.** ..... **10-05**

FIG. 1 is a front perspective view of a “remote signal receiver unit for game consoles”;

(52) **U.S. Cl.** ..... **D10/104**

FIG. 2 is a rear perspective view;

(58) **Field of Search** ..... D10/104, 106,  
D10/116, 121; 340/540, 541, 545, 825.44,  
825.45, 825.47

FIG. 3 is a left side elevational view thereof;

FIG. 4 is a right side elevational view thereof;

FIG. 5 is a top plan view thereof;

FIG. 6 is a front elevational view thereof;

FIG. 7 is a rear elevational view thereof; and,

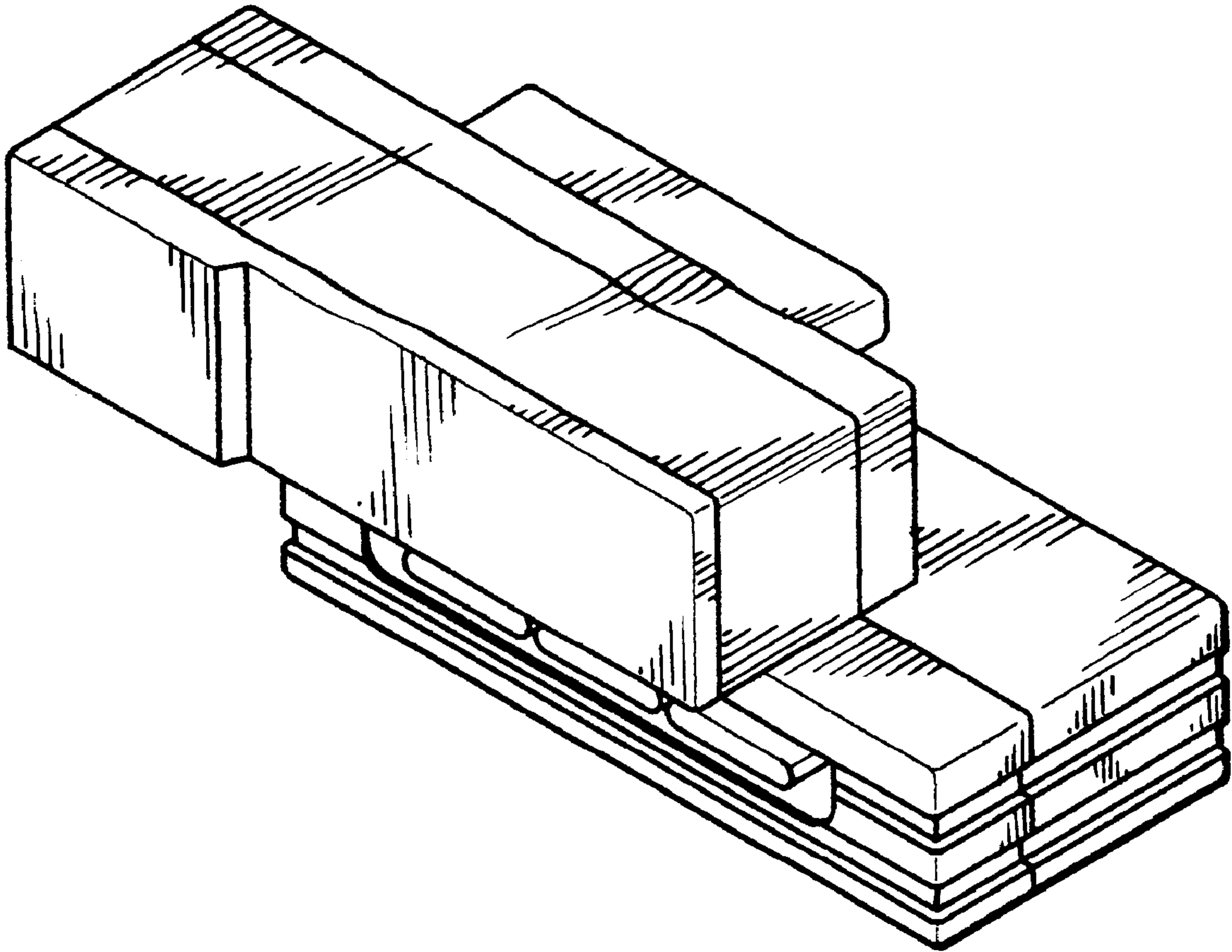
FIG. 8 is a bottom plan view thereof.

(56) **References Cited**

**U.S. PATENT DOCUMENTS**

D. 418,074 \* 12/1999 Hicks et al. .... D10/104

**1 Claim, 4 Drawing Sheets**



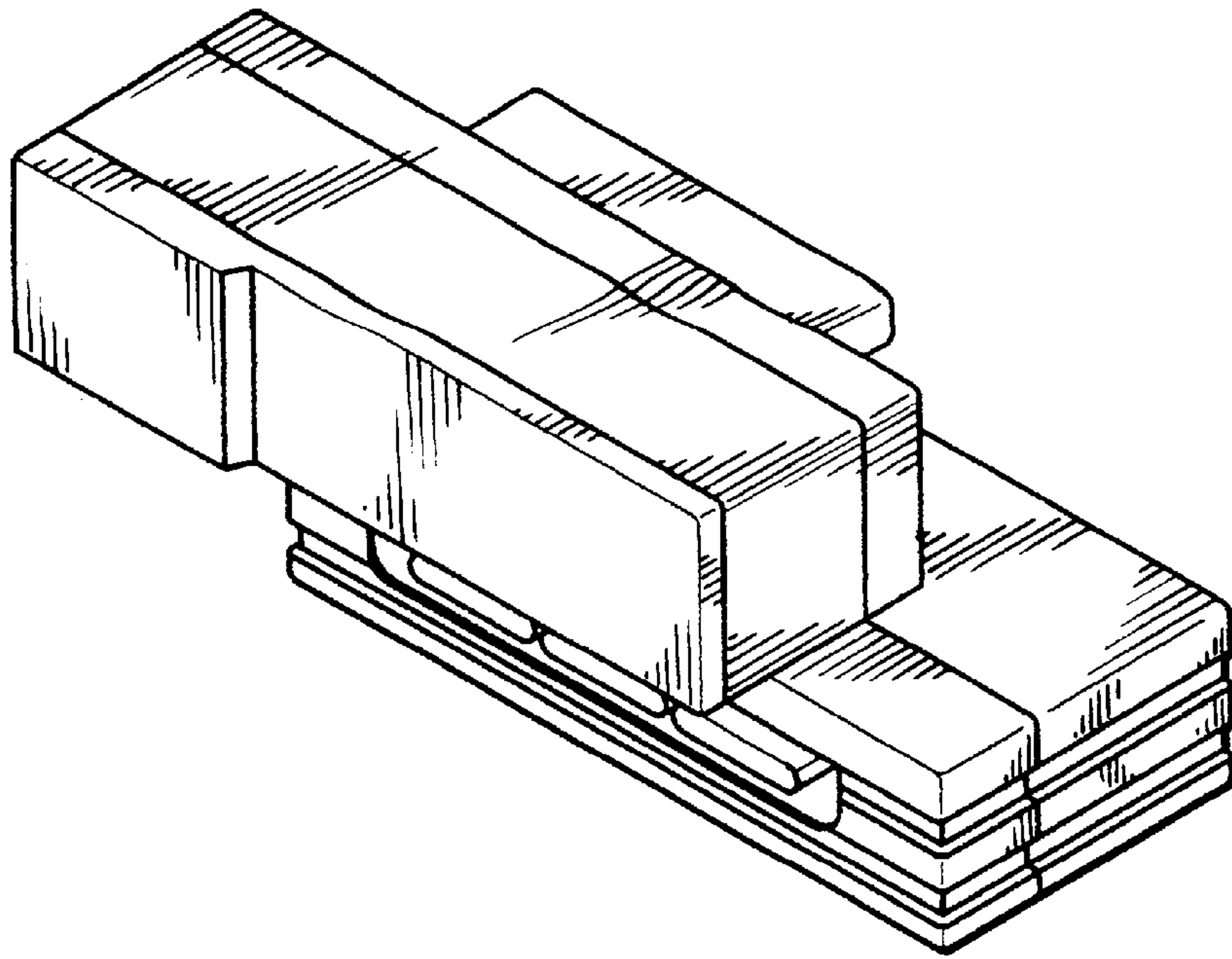


FIG. 1

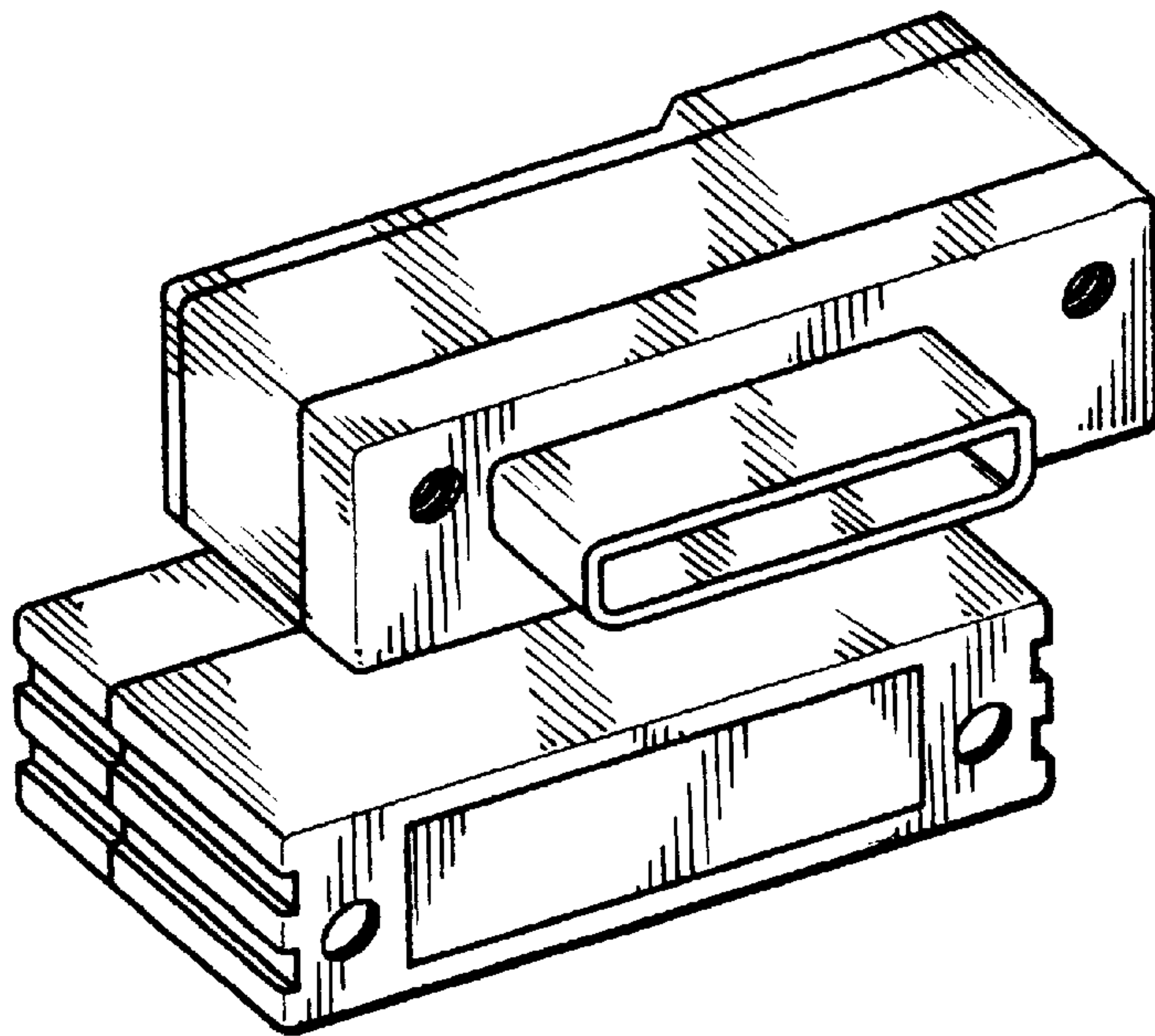


FIG. 2

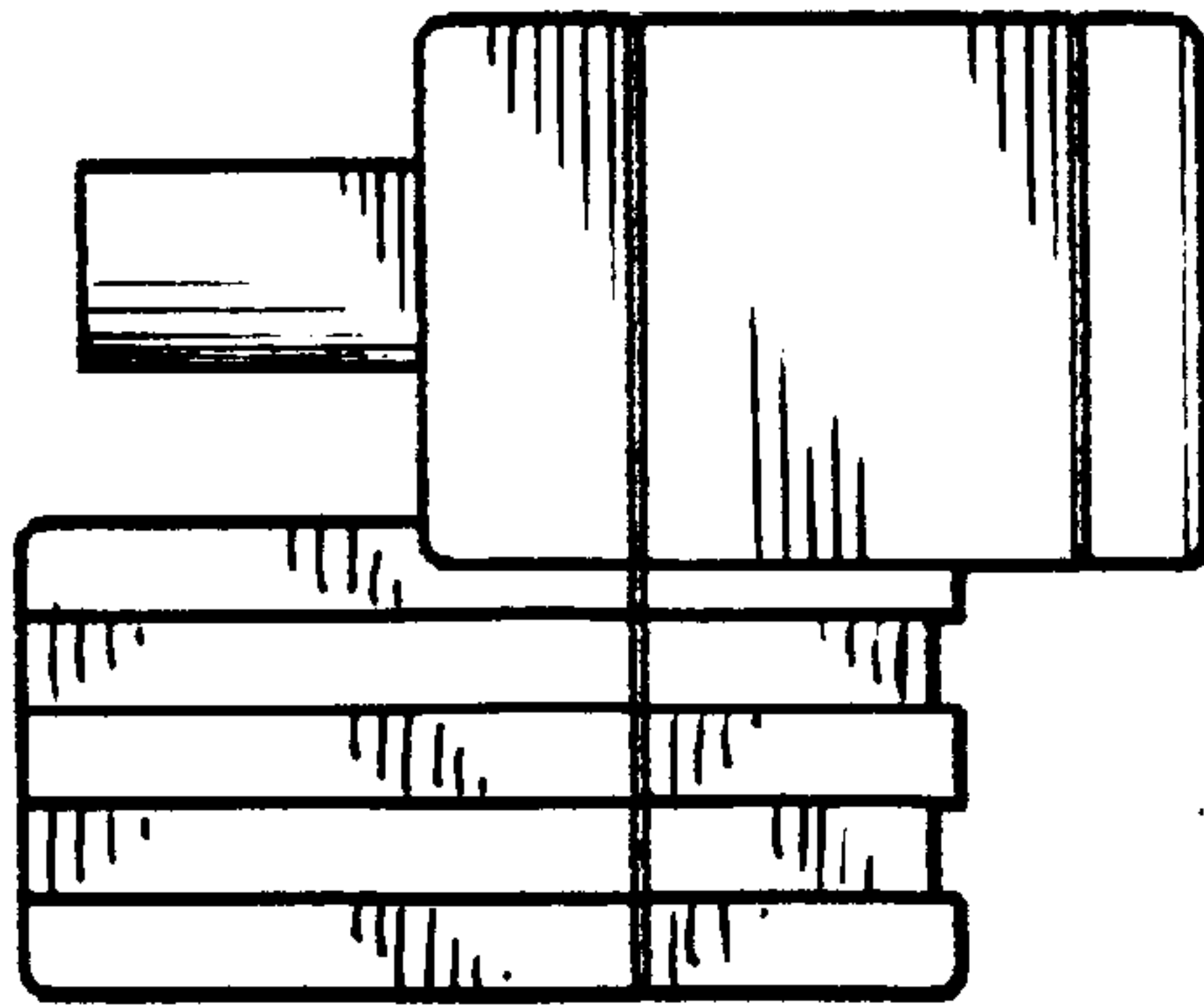


FIG. 3

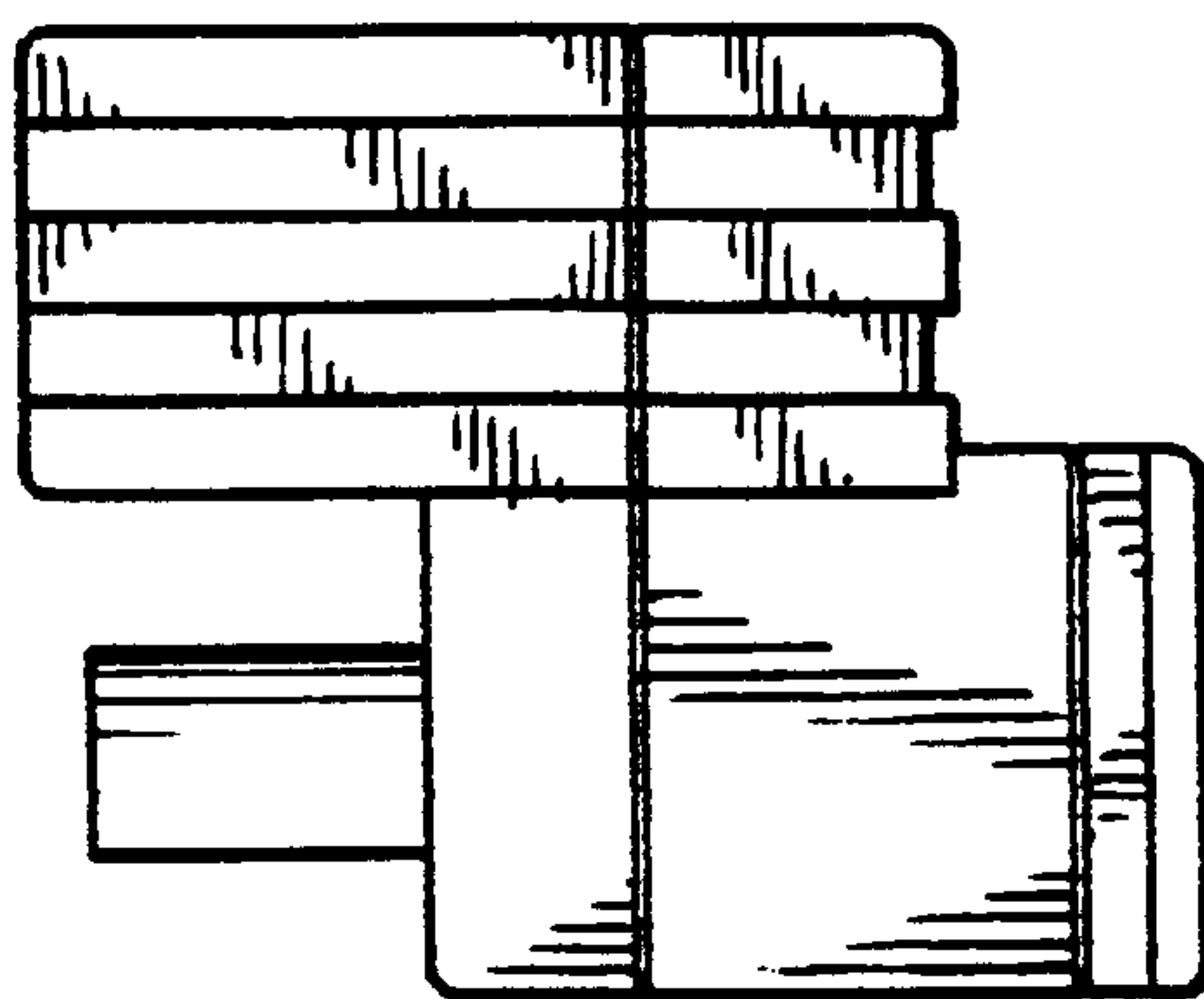


FIG. 4

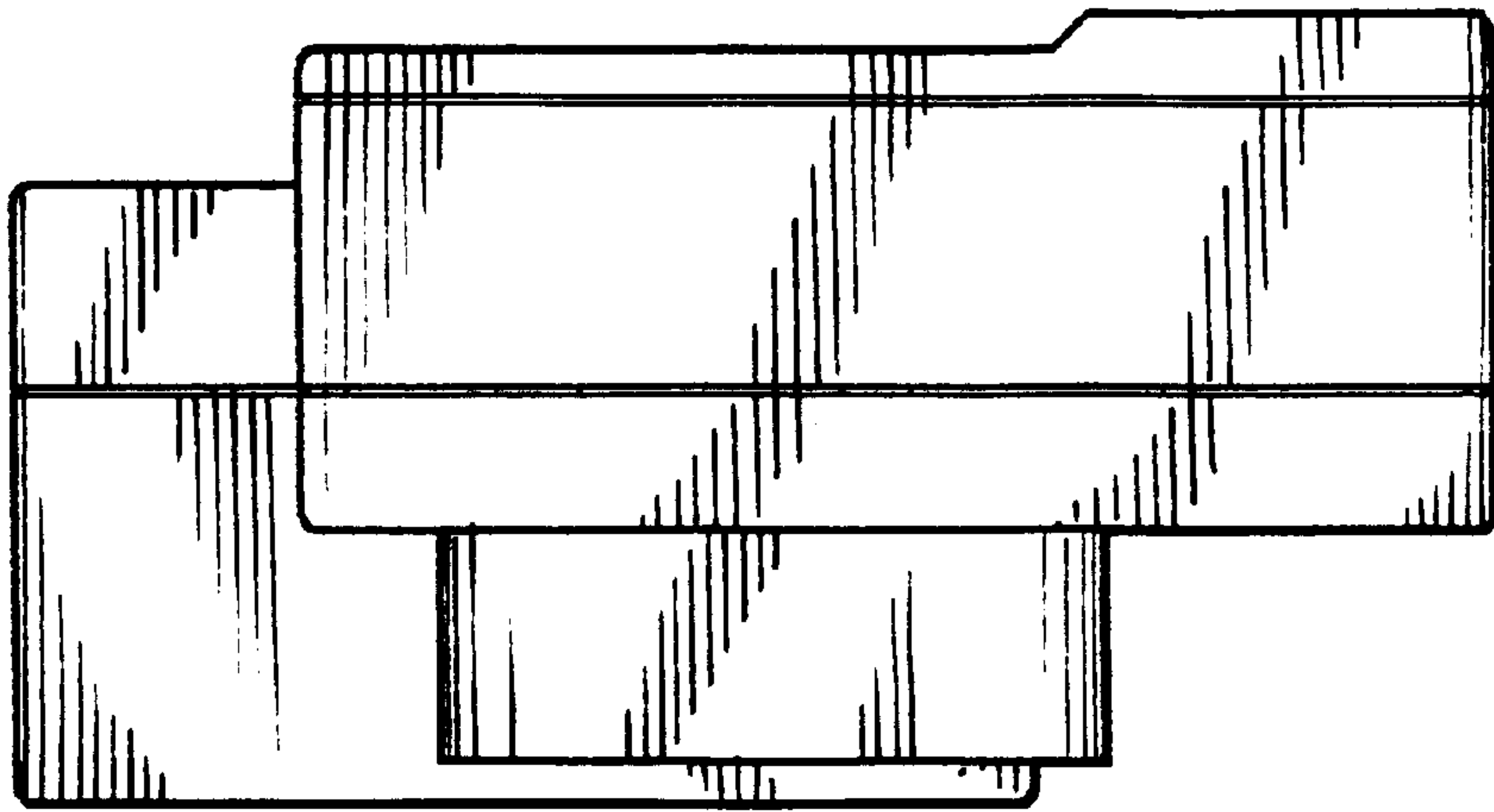


FIG. 5

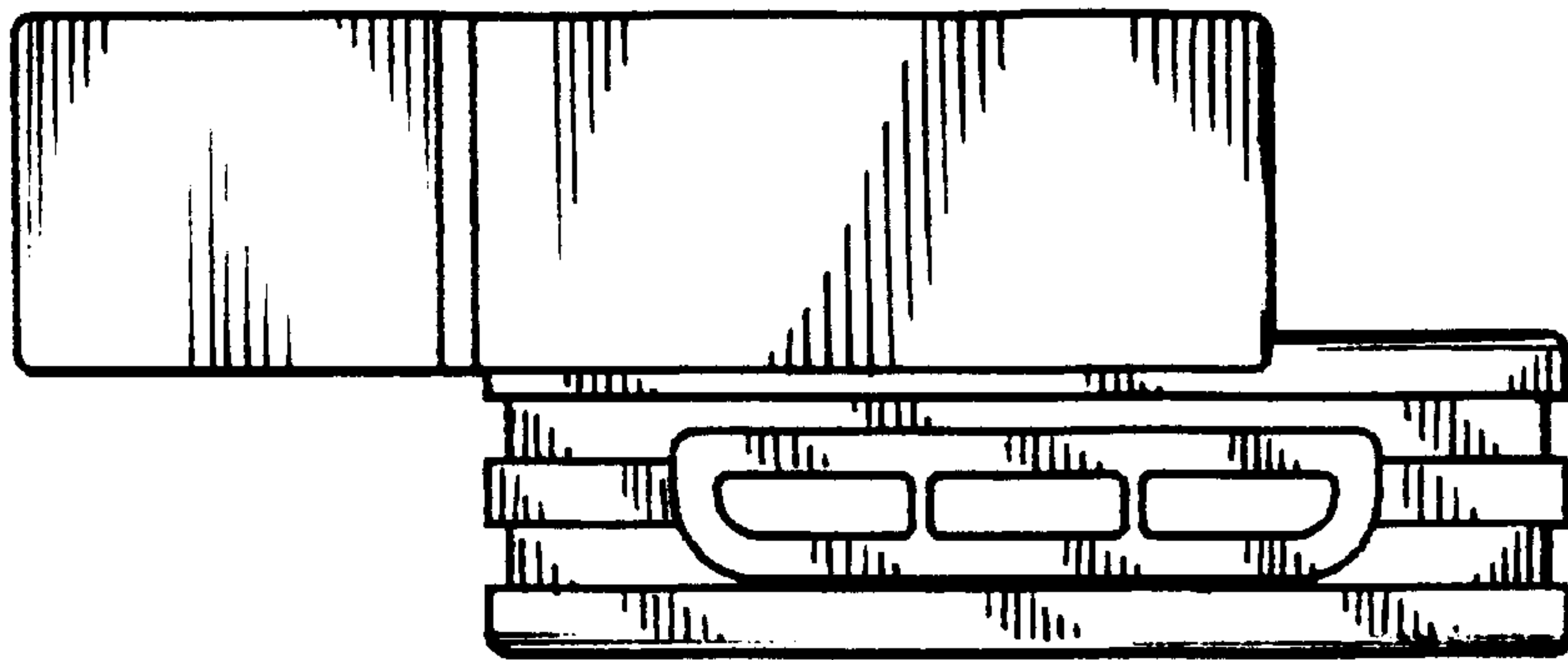


FIG. 6

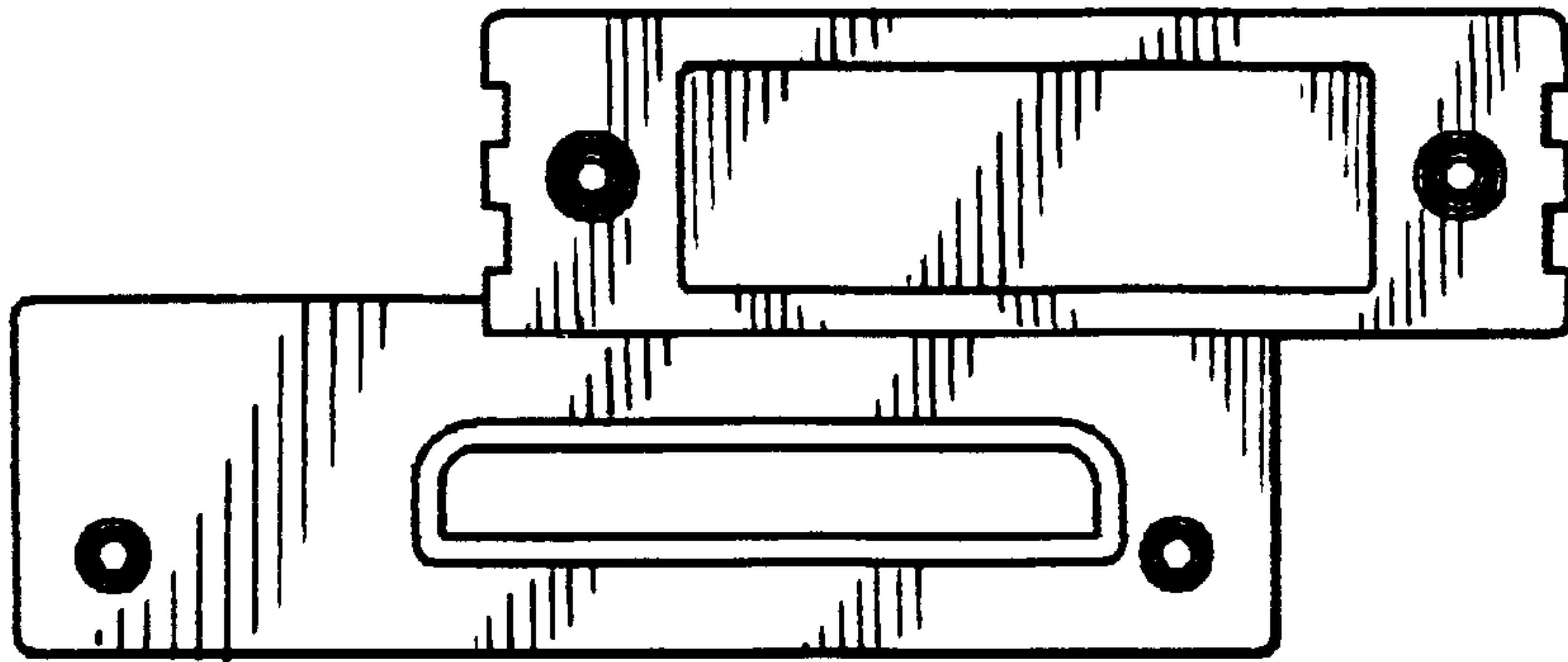


FIG. 7

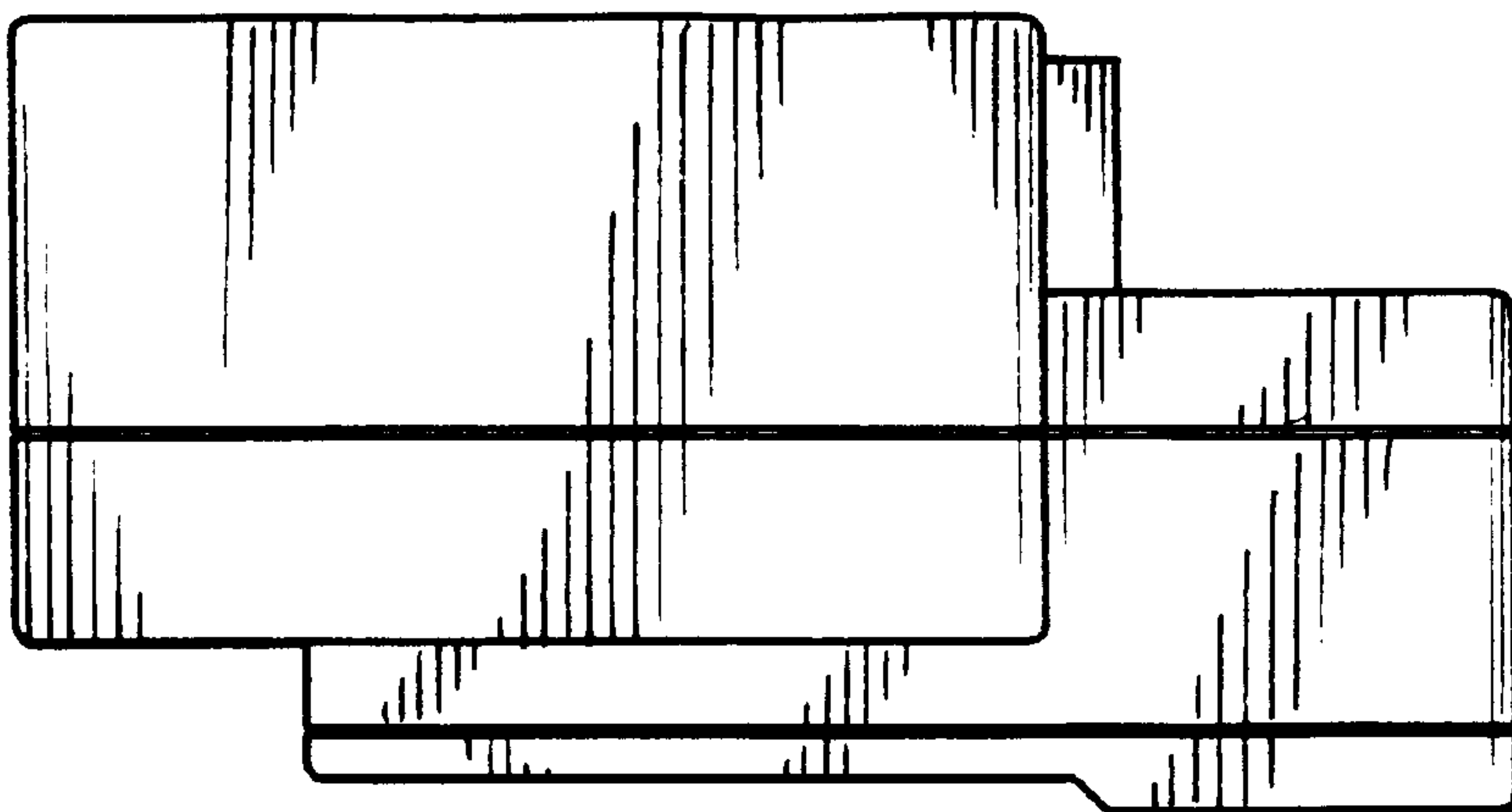


FIG. 8