



US00D447430B1

(12) **United States Design Patent**
Kehoe

(10) **Patent No.:** **US D447,430 S**

(45) **Date of Patent:** **** Sep. 4, 2001**

(54) **MEAT THERMOMETER TONGS**
(75) Inventor: **Paul Kehoe, Whitby (CA)**
(73) Assignee: **Concept Solutions Limited, Wong Chuk Hang (HK)**
(**) Term: **14 Years**

Primary Examiner—Antoine Duval Davis
(74) *Attorney, Agent, or Firm*—Riches, McKenzie & Herbert LLP

(21) Appl. No.: **29/131,193**
(22) Filed: **Oct. 16, 2000**

(57) **CLAIM**

The ornamental design for a meat thermometer tongs, as shown.

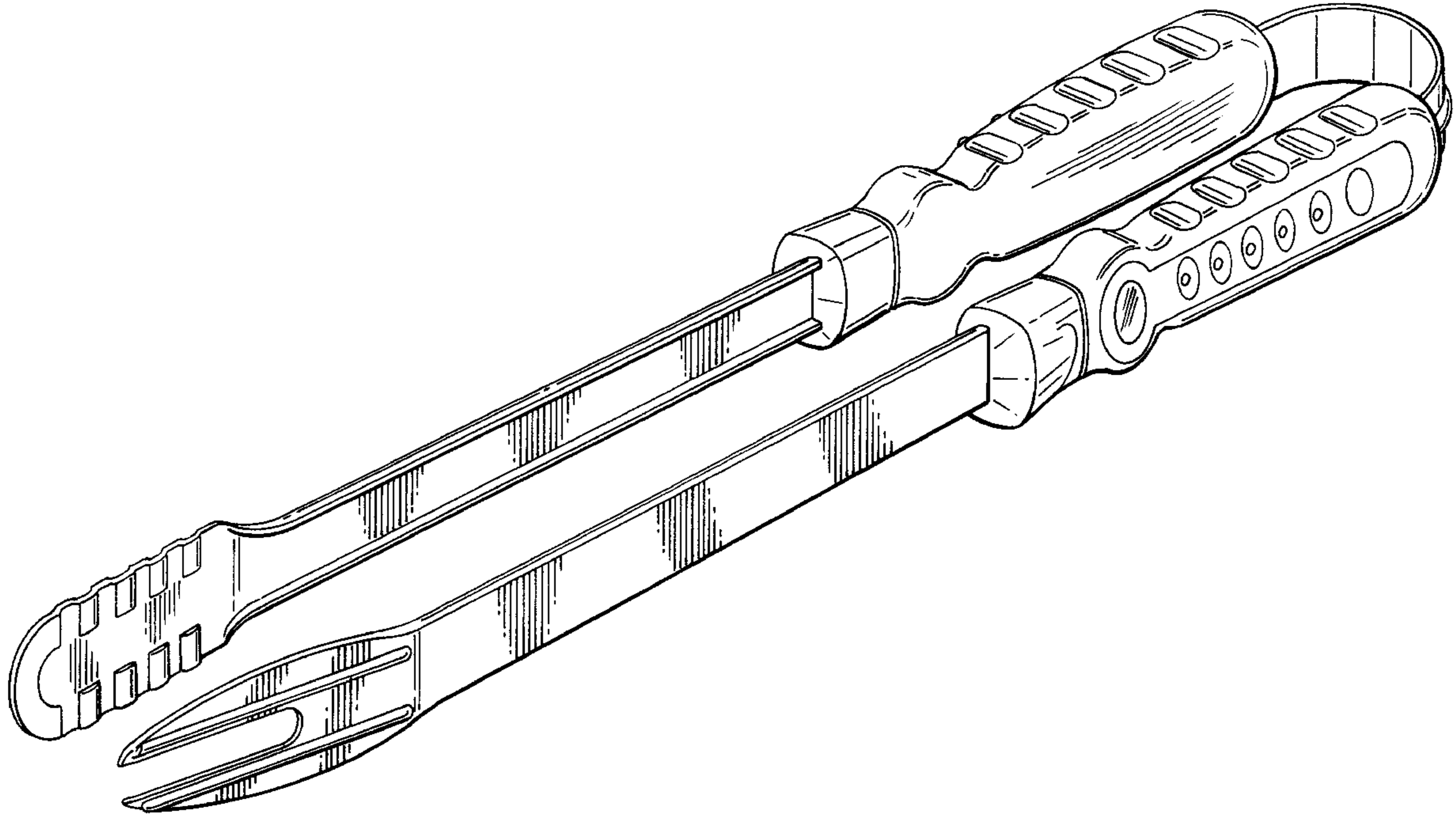
(30) **Foreign Application Priority Data**
Apr. 14, 2000 (CA) 2000-0990
(51) **LOC (7) Cl.** **07-68**
(52) **U.S. Cl.** **D10/57**
(58) **Field of Search** D7/686; D10/57;
374/141, 157, 156, 150, 178, 208, 155;
99/342, 343; 294/1.1, 2, 3, 8.5, 55.5, 61,
99.2, 118; 30/142, 129, 147, 148, 150,
322, 323, 344

DESCRIPTION

FIG. 1—is a prespective view showing the meat thermometer tongs
FIG. 2—is a top elevational view
FIG. 3—is a side elevational view
FIG. 4—is a bottom elevational view
FIG. 5—is a side elevational view of the opposite side of FIG. 3
FIG. 6—is an end elevational view; and,
FIG. 7—is a bottom elevational view.

(56) **References Cited**
U.S. PATENT DOCUMENTS
5,634,719 * 6/1997 La Neve 374/141
* cited by examiner

1 Claim, 3 Drawing Sheets



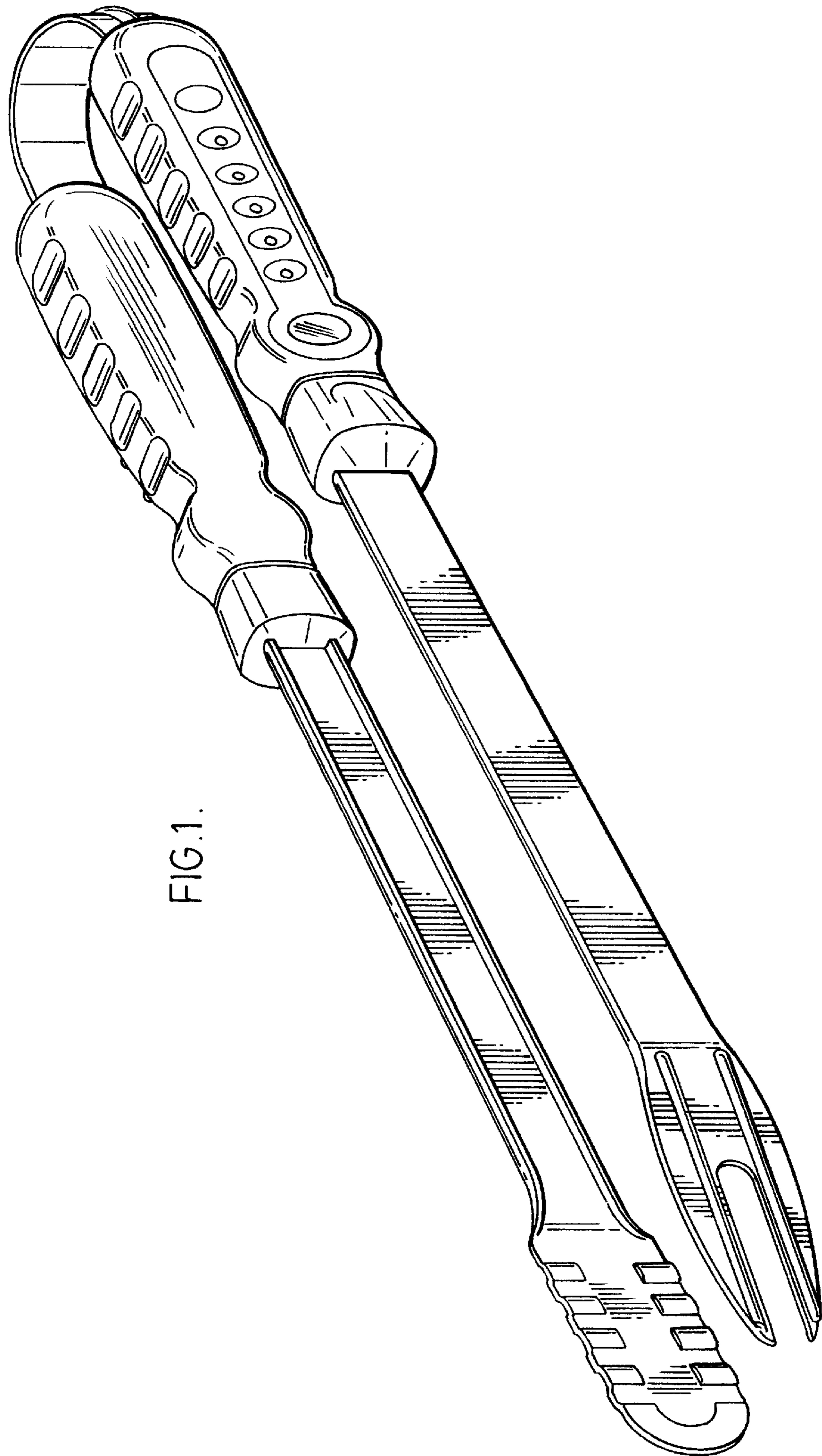


FIG. 1.

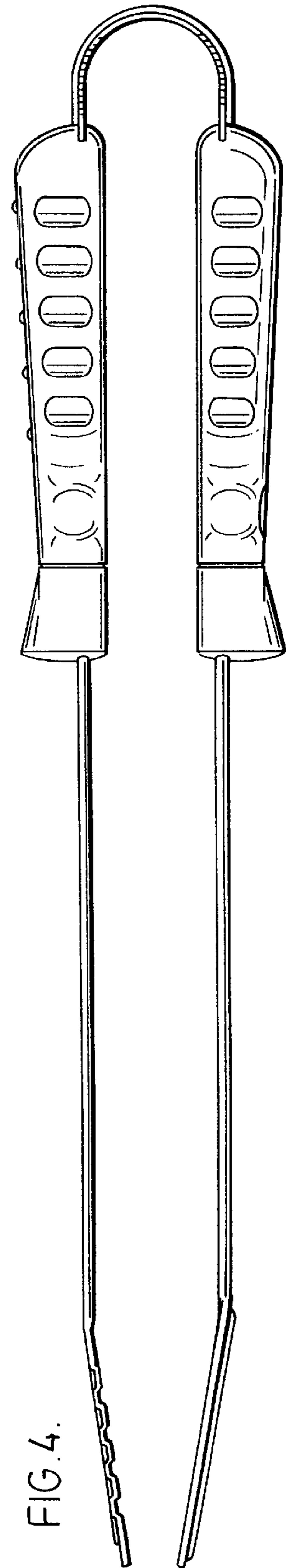
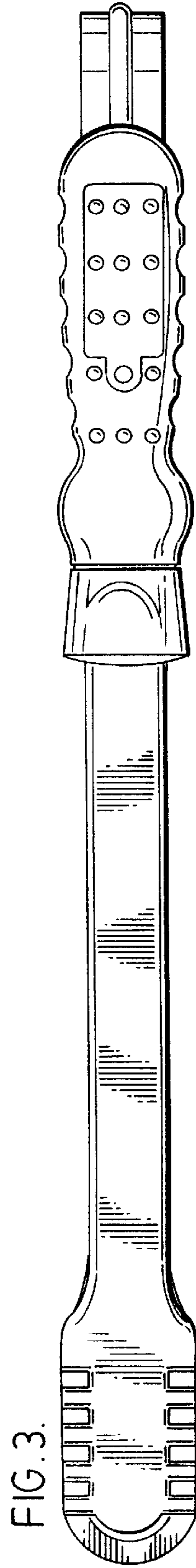
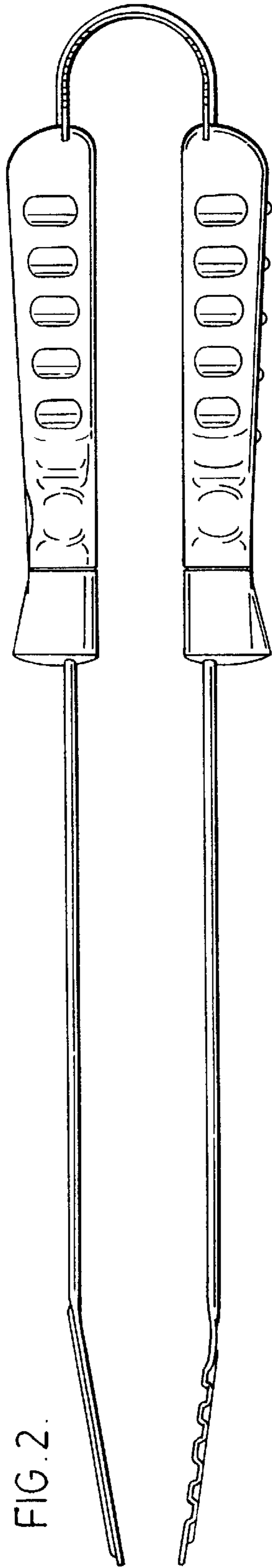


FIG. 5.

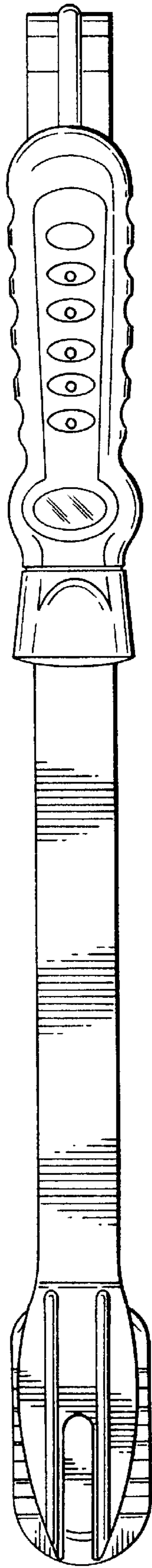


FIG. 6.

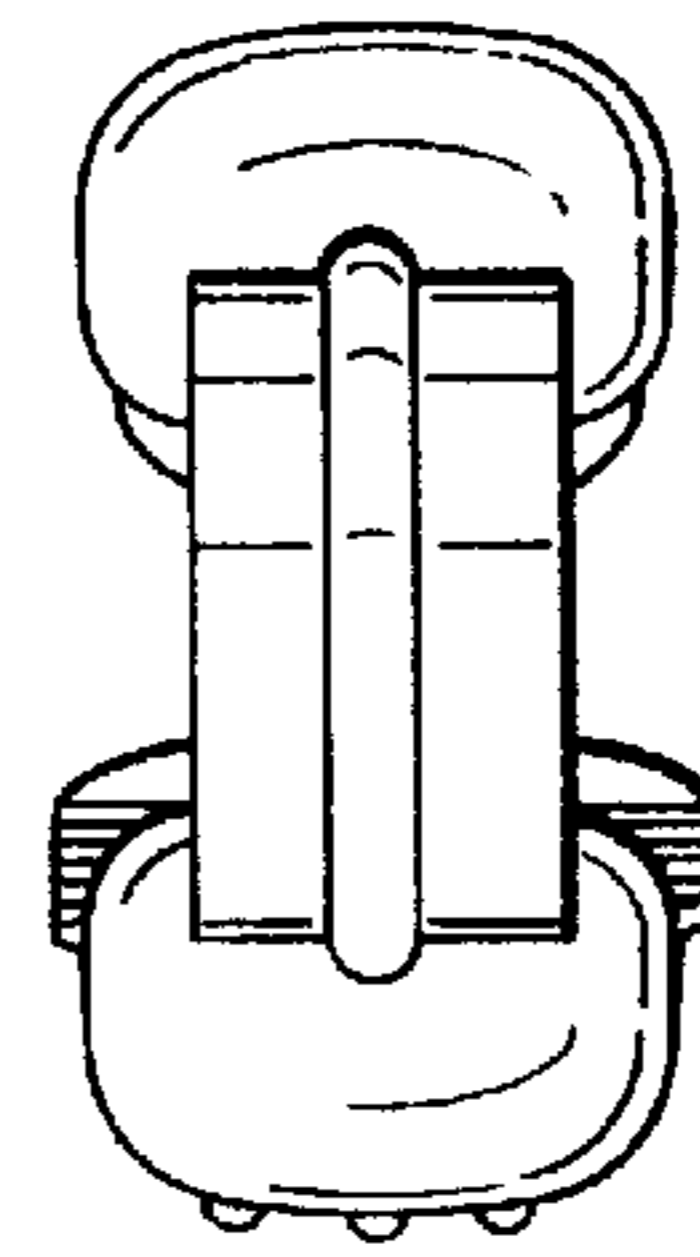


FIG. 7.

