



US00D447429B1

(12) **United States Design Patent**
Odom et al.

(10) **Patent No.:** **US D447,429 S**

(45) **Date of Patent:** **** *Sep. 4, 2001**

(54) **REMOTE SENSOR TEMPERATURE CONTROLLER**

Primary Examiner—Antoine Duval Davis
(74) *Attorney, Agent, or Firm*—Robert B. Leonard

(75) Inventors: **James A. Odom**, Apple Valley;
Thomas Caesar Tinucci, Eden Prairie;
James Edward Erickson, Eagan, all of
MN (US)

(57) **CLAIM**

The ornamental design for a remote sensor temperature controller, as shown and described.

(73) Assignee: **Honeywell International Inc.**,
Morristown, NJ (US)

DESCRIPTION

(*) Notice: This patent is subject to a terminal disclaimer.

FIG. 1 is a perspective view of the controller as seen from the front, bottom and left sides.

(**) Term: **14 Years**

FIG. 2 is a front elevation view of the controller of FIG. 1.

(21) Appl. No.: **29/099,537**

FIG. 3 is a right side elevation view of the controller of FIG. 1.

(22) Filed: **Jan. 22, 1999**

FIG. 4 is a top plan view of the controller of FIG. 1.

(51) **LOC (7) Cl.** **10-04**

FIG. 5 is a bottom plan view of the controller of FIG. 1; and,

(52) **U.S. Cl.** **D10/49**

FIG. 6 is a rear elevation view of the controller of FIG. 1.

(58) **Field of Search** D10/49, 50; 165/260,
165/270; 236/16, 1 B, 1 EA, 1 EB, 46 R,
51; 62/175; 364/557

The right and left side elevation views of the controller are mirror images of one another. The back of the controller is plain and unadorned.

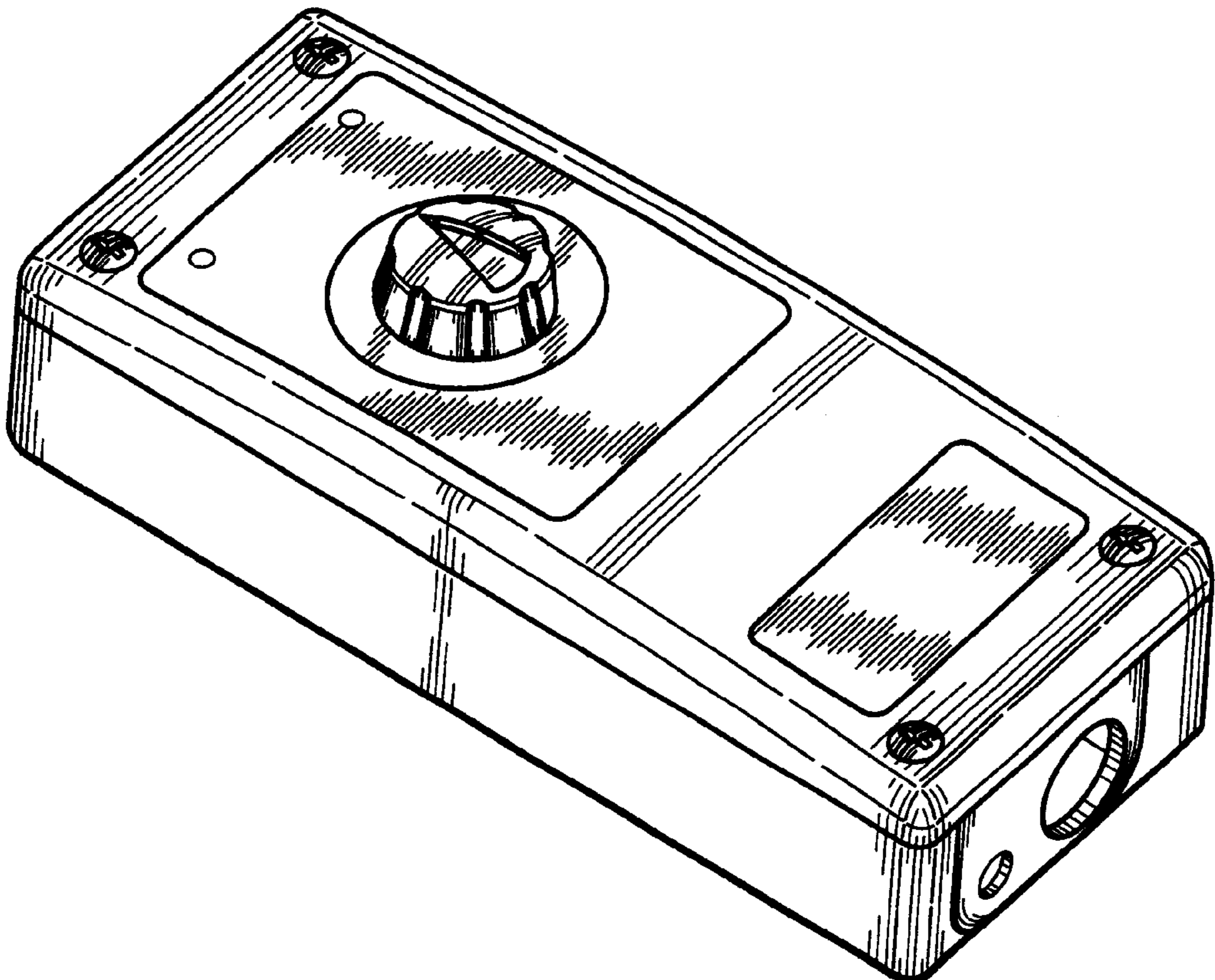
(56) **References Cited**

U.S. PATENT DOCUMENTS

D. 434,338 * 11/2000 Odom et al. D10/49

* cited by examiner

1 Claim, 4 Drawing Sheets



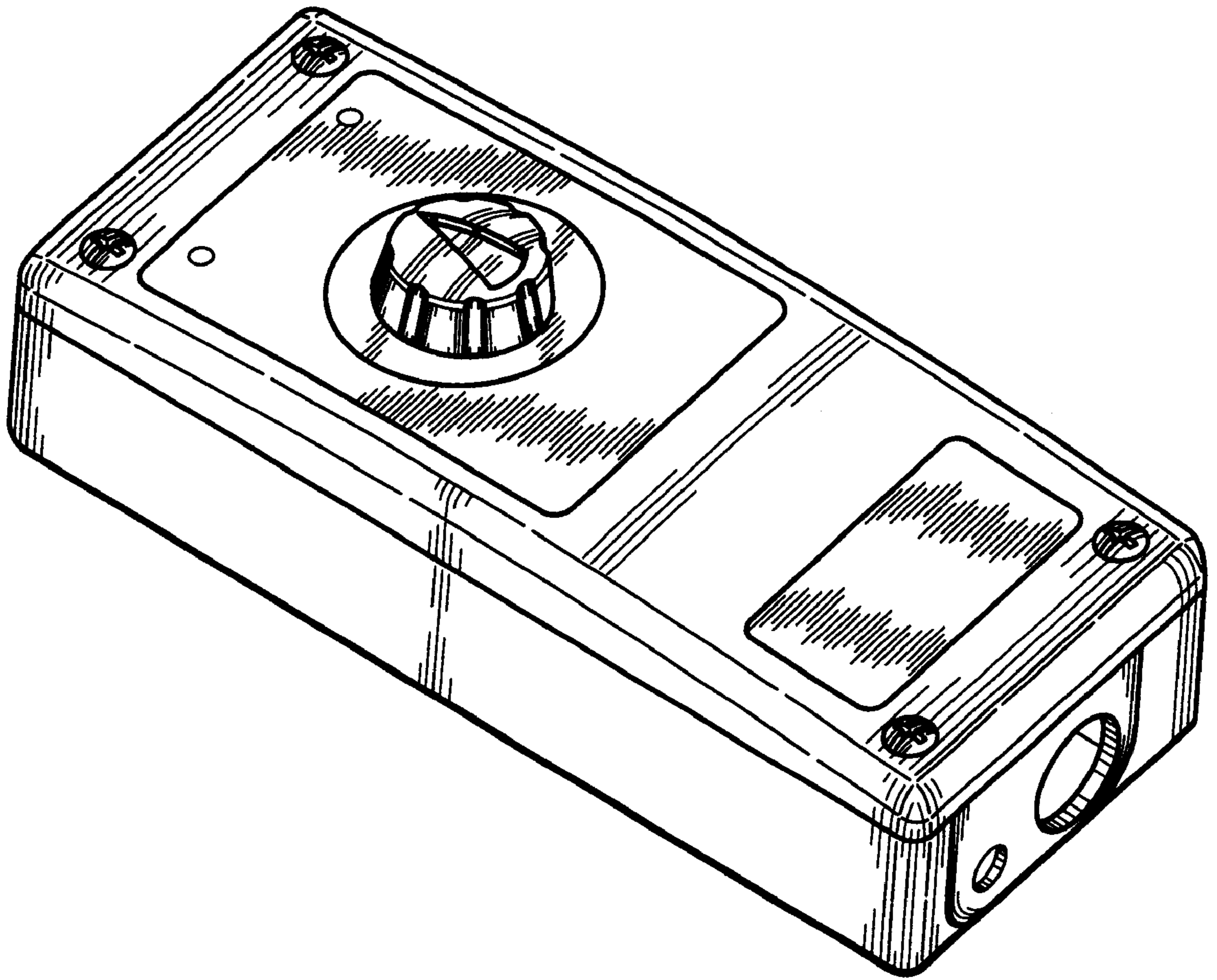


FIG. 1

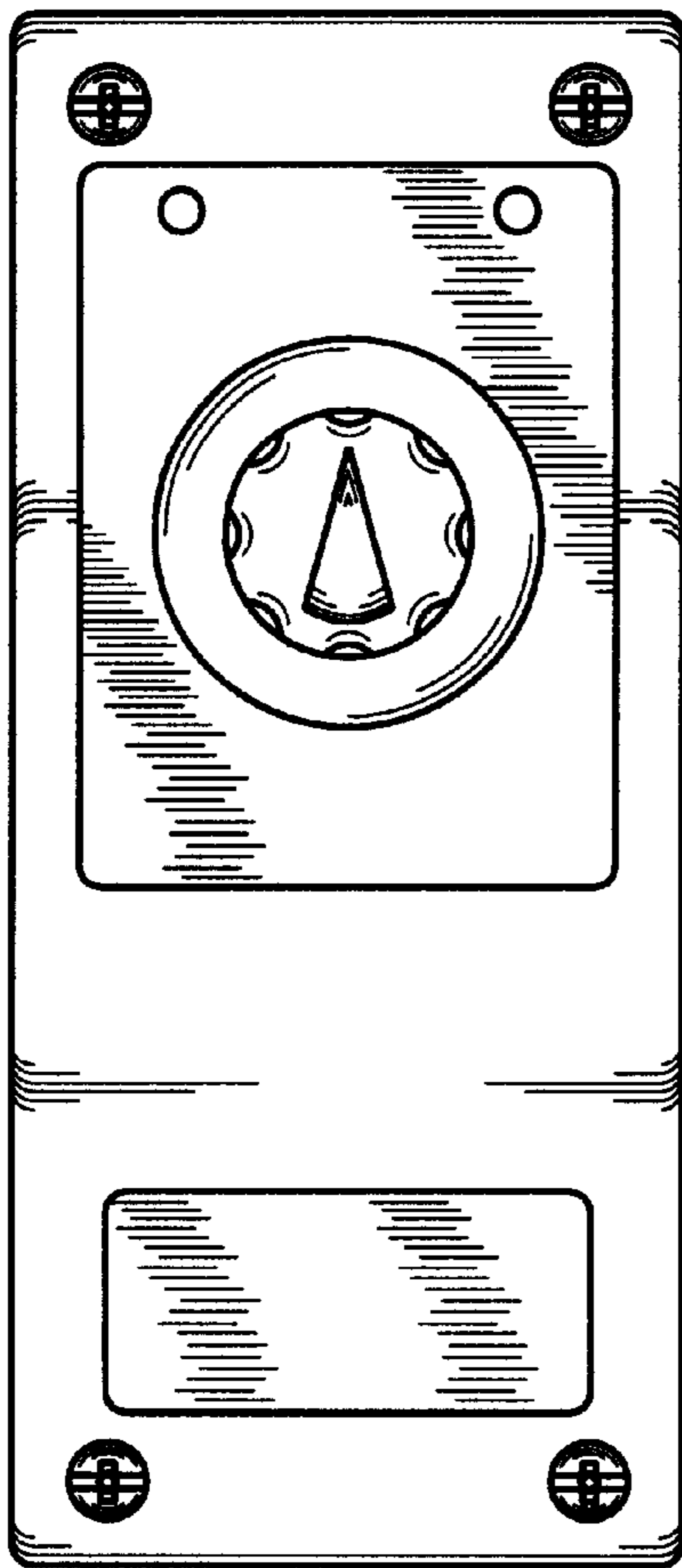


FIG. 2

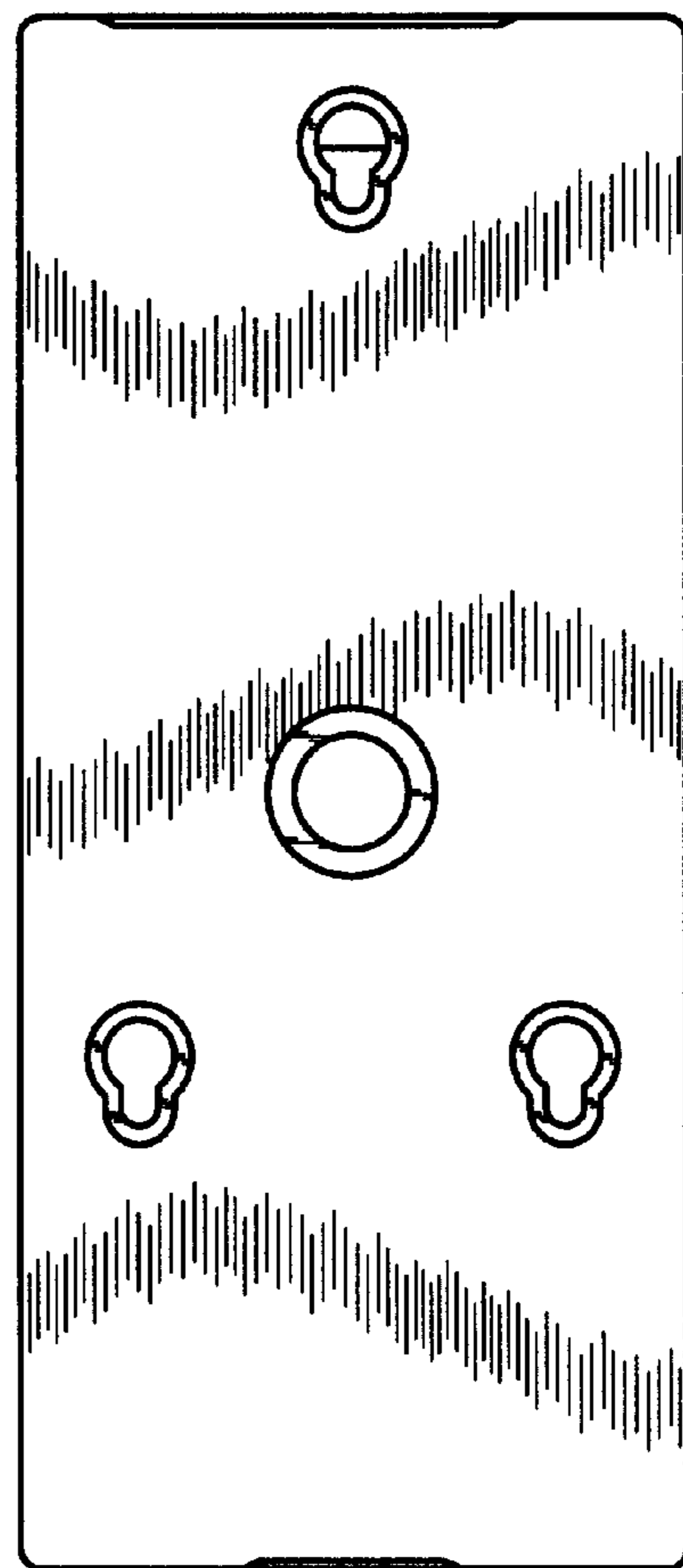


FIG. 6

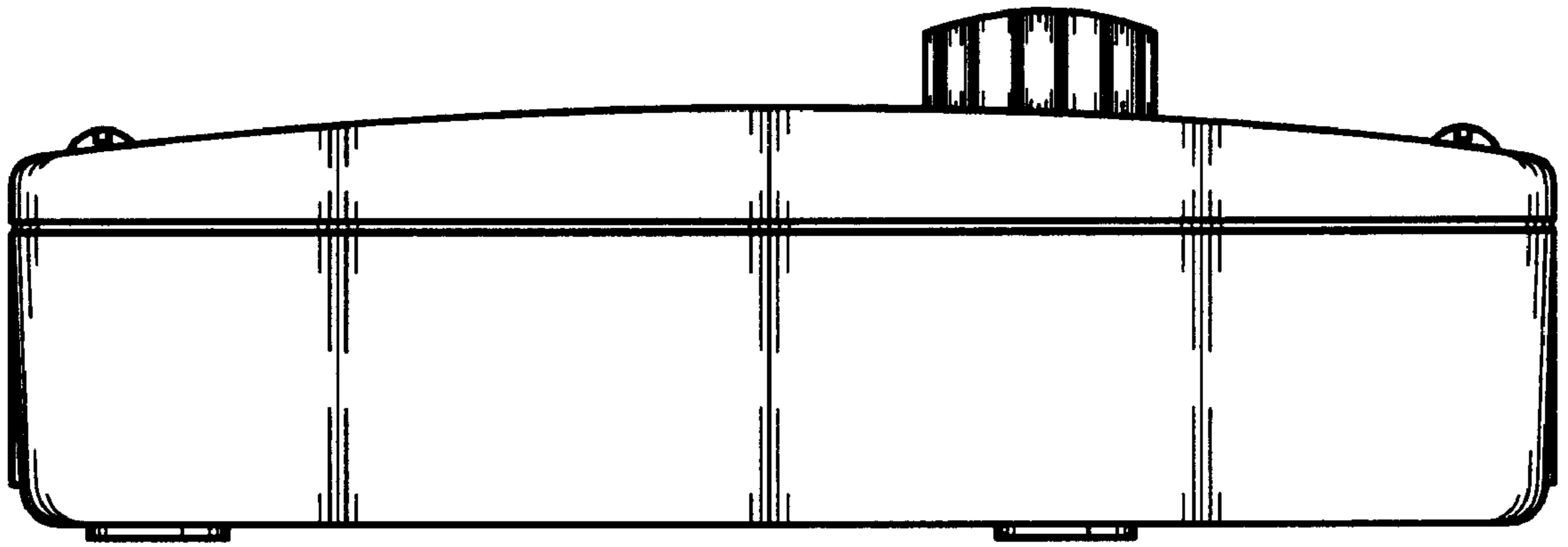


FIG. 3

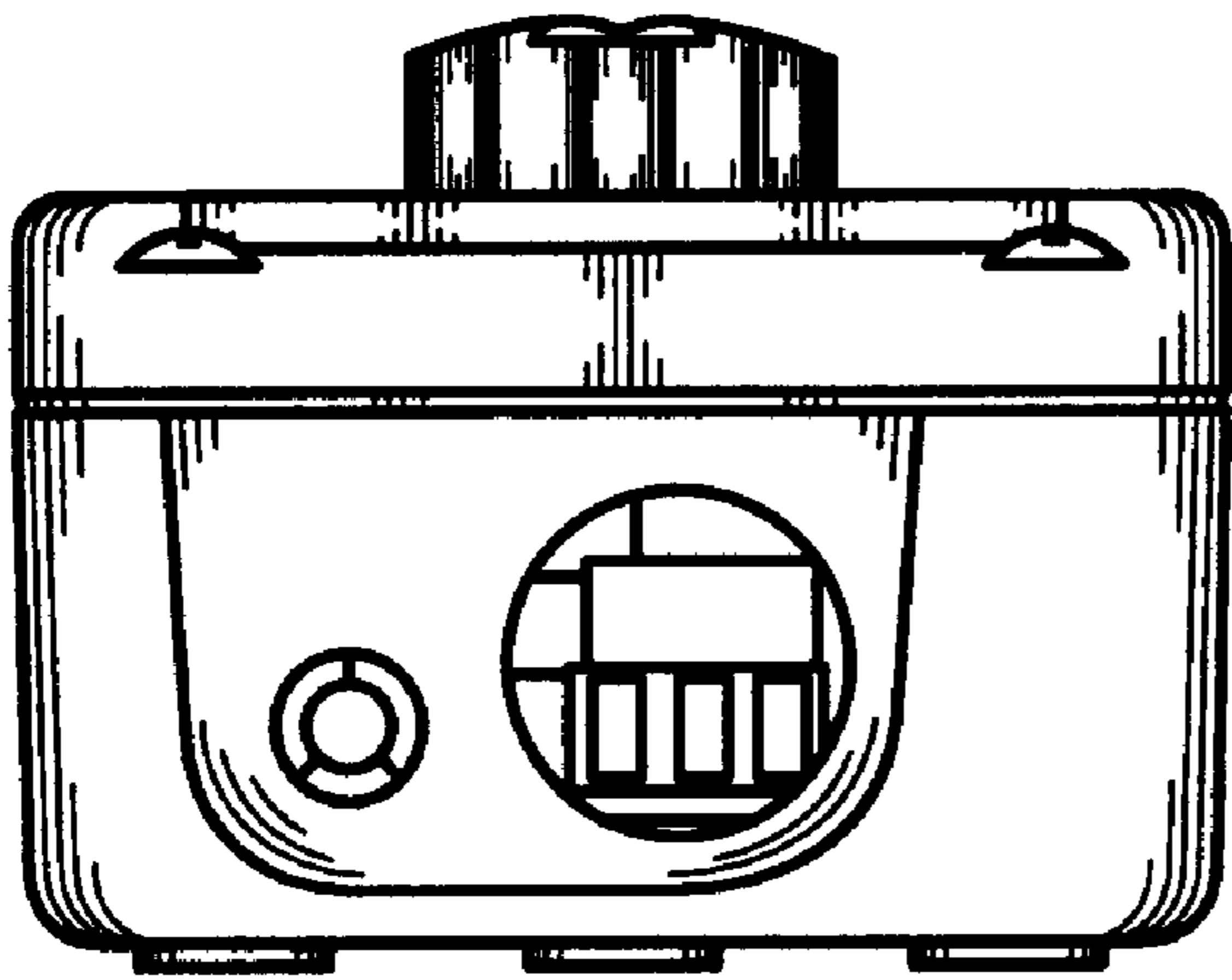


FIG. 4

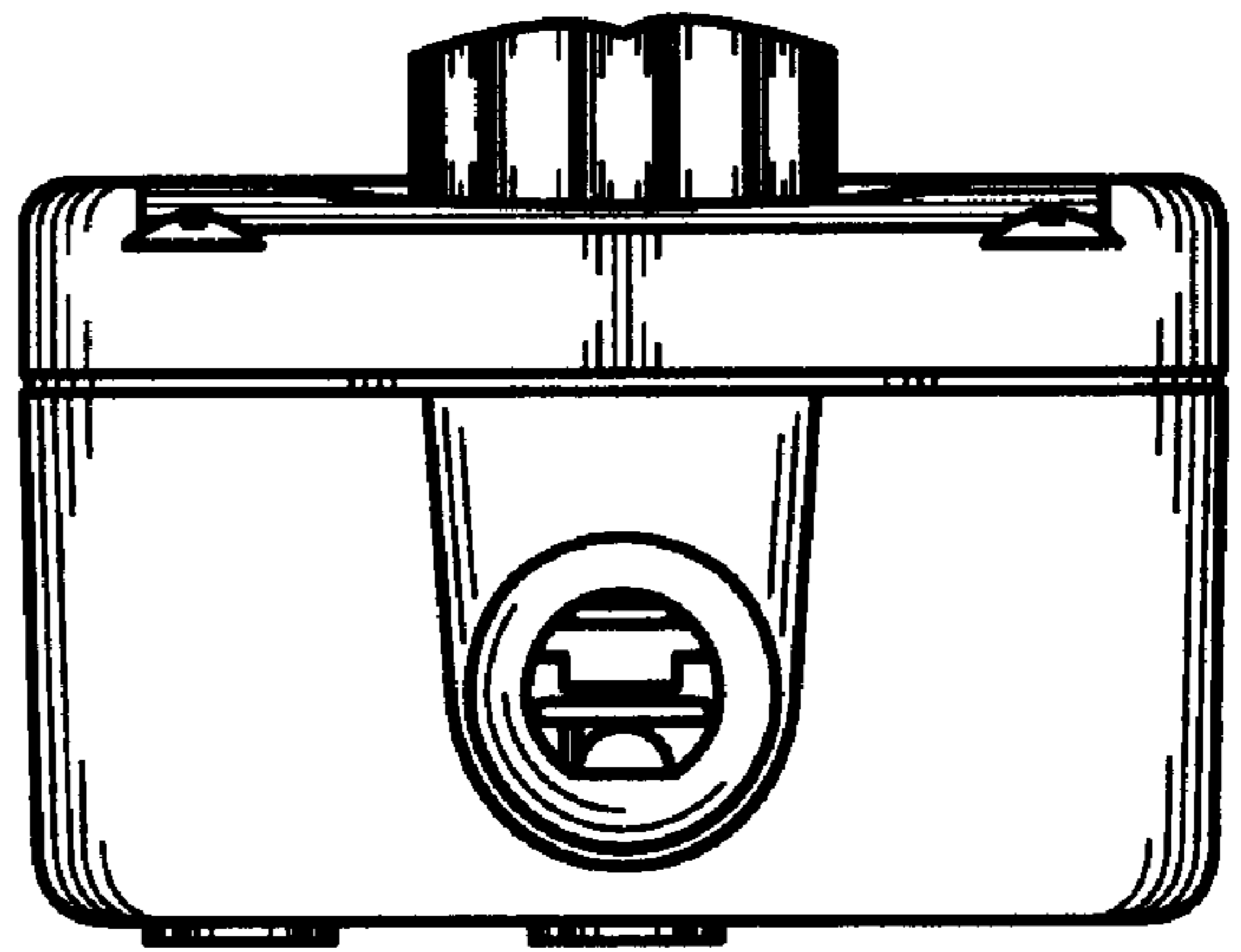


FIG. 5