



US00D447427B1

(12) **United States Design Patent**
Finazzi

(10) **Patent No.:** **US D447,427 S**

(45) **Date of Patent:** **** Sep. 4, 2001**

(54) **WATCH**

D. 386,421 * 11/1997 Kennedy D10/30
D. 430,043 * 8/2000 Schopfer D10/39

(75) **Inventor:** **Pierre-André Finazzi, La**
Chaux-de-Fonds (CH)

FOREIGN PATENT DOCUMENTS

365027 * 10/1952 (CH) .

(73) **Assignee:** **Montblanc-Simplo GmbH, Hambourg**
(DE)

OTHER PUBLICATIONS

(**) **Term:** **14 Years**

Swiss Watch and Jewelry Journal—Feb. 1989—p. 243—
watch at bottom.*

(21) **Appl. No.:** **29/128,806**

European Jeweler—Jul. 1974—p. 57—watch
at bottom-right.*

(22) **Filed:** **Sep. 1, 2000**

* cited by examiner

(30) **Foreign Application Priority Data**

Mar. 2, 2000 (XH) DMA/004 811

Primary Examiner—Nelson C. Holtje

(74) *Attorney, Agent, or Firm*—Young & Thompson

(51) **LOC (7) Cl.** **10-02**

(57) **CLAIM**

(52) **U.S. Cl.** **D10/39**

The ornamental design for a watch, as shown and described.

(58) **Field of Search** D10/1-40, 122-132;
368/280-282, 276-277, 285

DESCRIPTION

(56) **References Cited**

FIG. 1 is a perspective view thereof.

FIG. 2 is a top view thereof.

FIG. 3 is a bottom view thereof.

FIG. 4 is a side view from the bottom of FIG. 2.

FIG. 5 is a side view from the bottom of FIG. 3.

FIG. 6 is a side view from the right of FIG. 2; and,

FIG. 7 is a side view from the left of FIG. 2.

U.S. PATENT DOCUMENTS

- D. 329,612 * 9/1992 Hysek D10/39
- D. 336,616 * 6/1993 Gueit D10/39
- D. 350,203 * 8/1994 Russell D24/184
- D. 352,470 * 11/1994 Besson D10/39
- D. 359,697 * 6/1995 Dumas D10/39
- D. 361,528 * 8/1995 Hayashi et al. D10/39
- D. 378,498 * 3/1997 Wettstein D10/39

1 Claim, 1 Drawing Sheet



Fig. 1



Fig. 2



Fig. 3

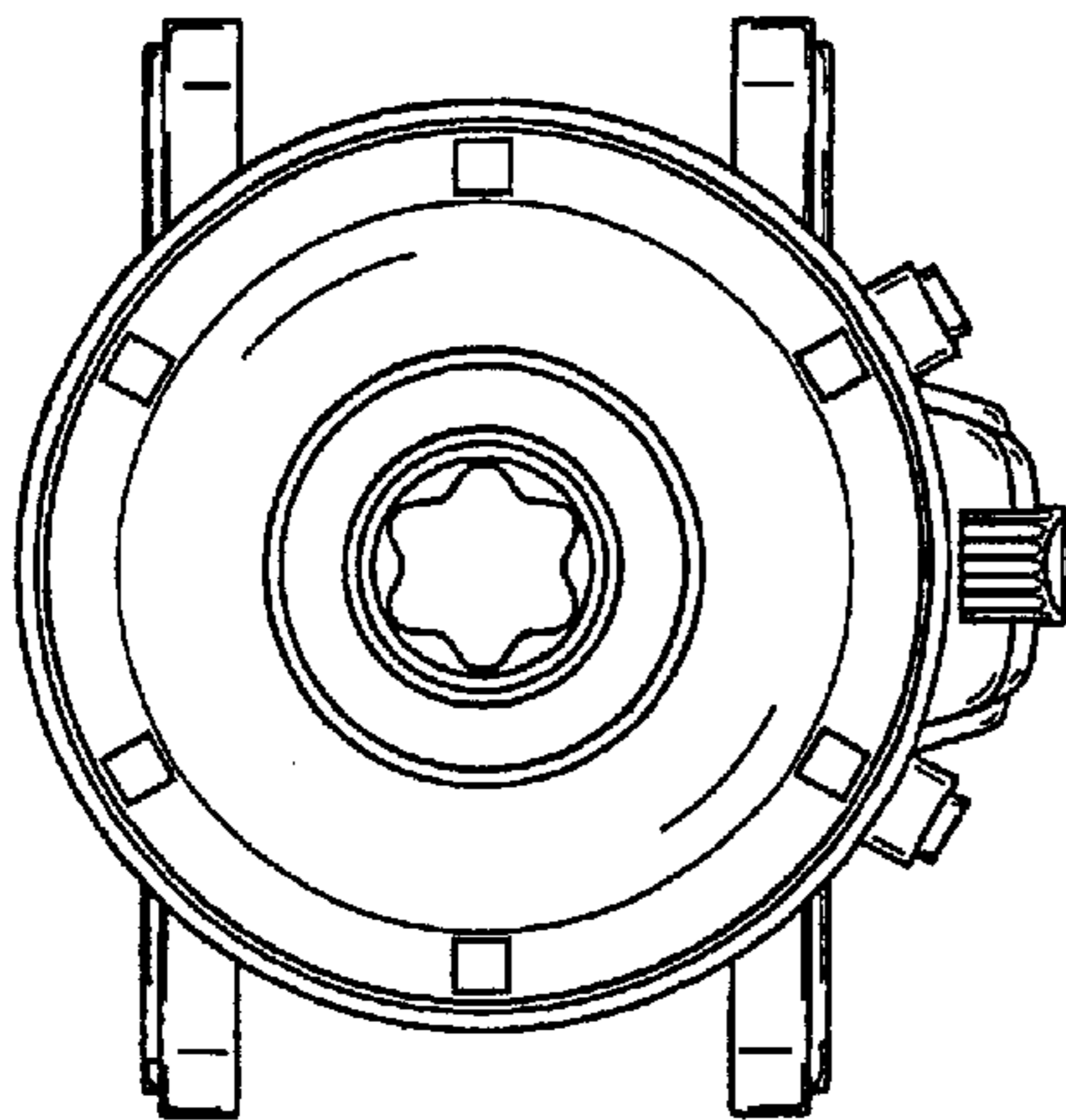


Fig. 4



Fig. 5

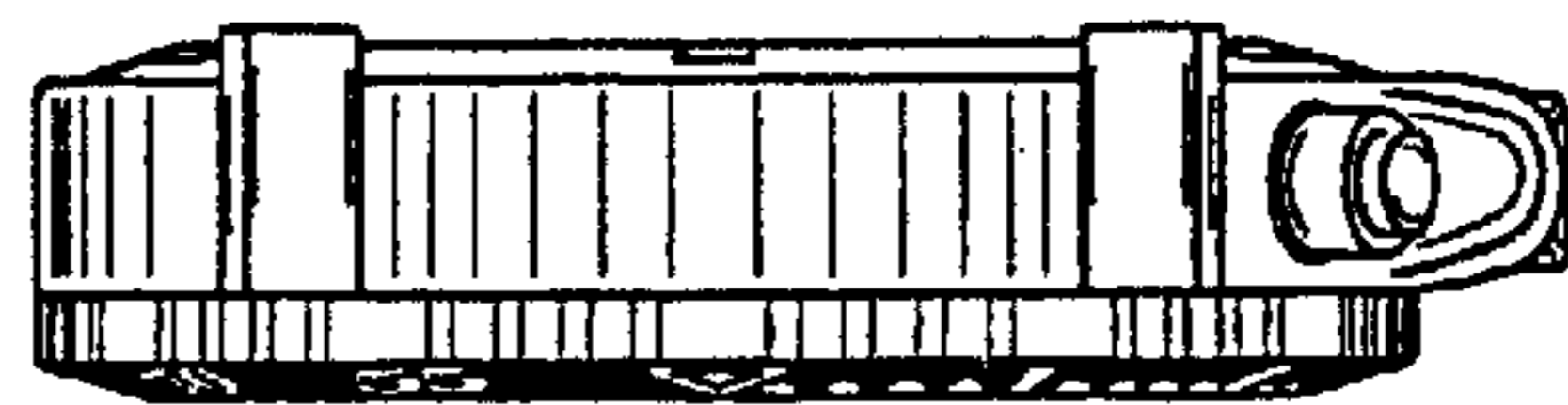


Fig. 6

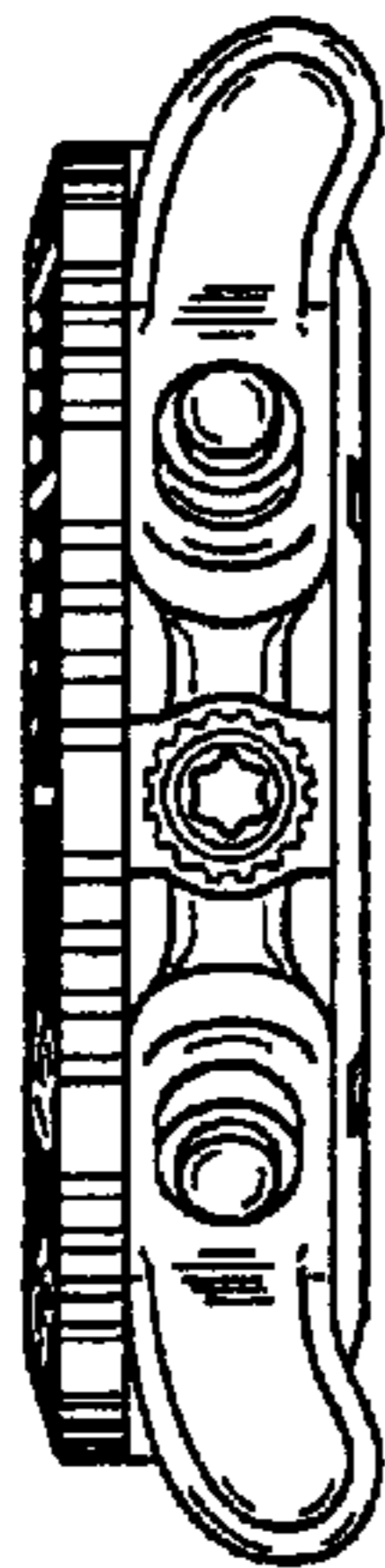


Fig. 7

