



US00D447425B1

(12) **United States Design Patent**
Bodino

(10) **Patent No.:** **US D447,425 S**

(45) **Date of Patent:** **** *Sep. 4, 2001**

(54) **WRISTWATCH**

(75) **Inventor:** **Giampiero Bodino, Milan (IT)**

(73) **Assignee:** **Gucci Timepieces SA, Lengnau (CH)**

(*) **Notice:** This patent is subject to a terminal disclaimer.

(**) **Term:** **14 Years**

(21) **Appl. No.:** **29/120,337**

(22) **Filed:** **Mar. 15, 2000**

(30) **Foreign Application Priority Data**

Oct. 14, 1999 (XH) DMA/004 674

(51) **LOC (7) Cl.** **10-02**

(52) **U.S. Cl.** **D10/32**

(58) **Field of Search** D10/1-40, 122-132;
D11/3-25; 63/1.1, 3, 5, 11; 368/276-277,
280-282, 285

(56) **References Cited**

U.S. PATENT DOCUMENTS

D. 403,599 * 1/1999 Emmenegger D10/39

D. 410,198 * 5/1999 Hysek D10/30
D. 410,853 * 6/1999 Bulgari D10/32
D. 421,918 * 3/2000 Bodino D10/32
D. 421,919 * 3/2000 Bodino D10/32
D. 422,223 * 4/2000 Bodino D10/32
5,601,222 * 2/1997 Haddad 224/165

* cited by examiner

Primary Examiner—Nelson C. Holtje
(74) *Attorney, Agent, or Firm*—Sughrue, Mion, Zinn,
Macpeak & Seas, PLLC

(57) **CLAIM**

The ornamental design for a wristwatch, as shown.

DESCRIPTION

FIG. 1 is a perspective view of the front and one side of a wristwatch showing my new design;
FIG. 2 is a front view thereof;
FIG. 3 is a rear view thereof;
FIG. 4 is a side view of said one side thereof;
FIG. 5 is a side view of the opposite side thereof;
FIG. 6 is an end view of one end thereof; and,
FIG. 7 is an end view of the opposite side thereof.

1 Claim, 2 Drawing Sheets



FIG. 1



FIG. 2

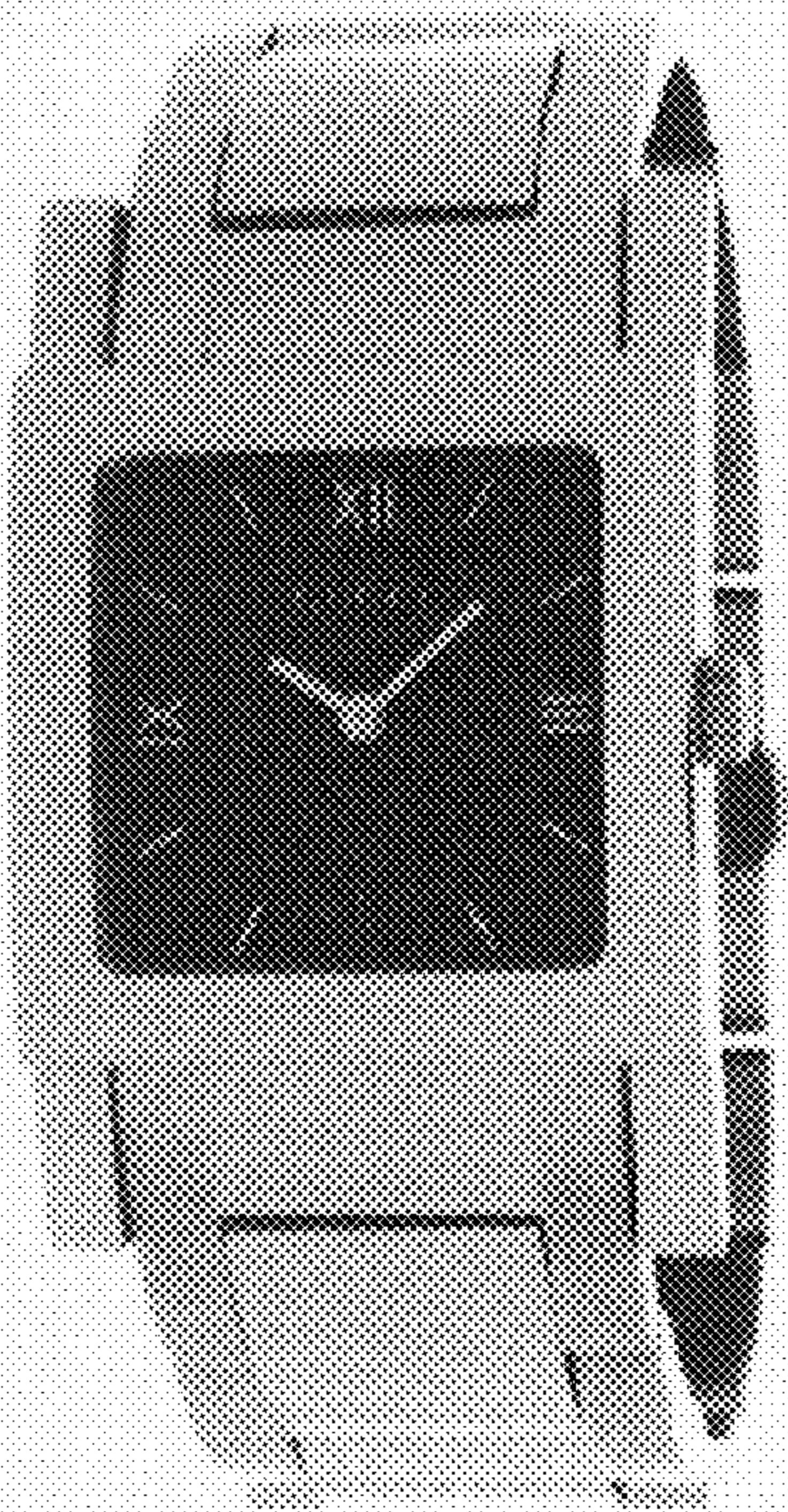


FIG. 3

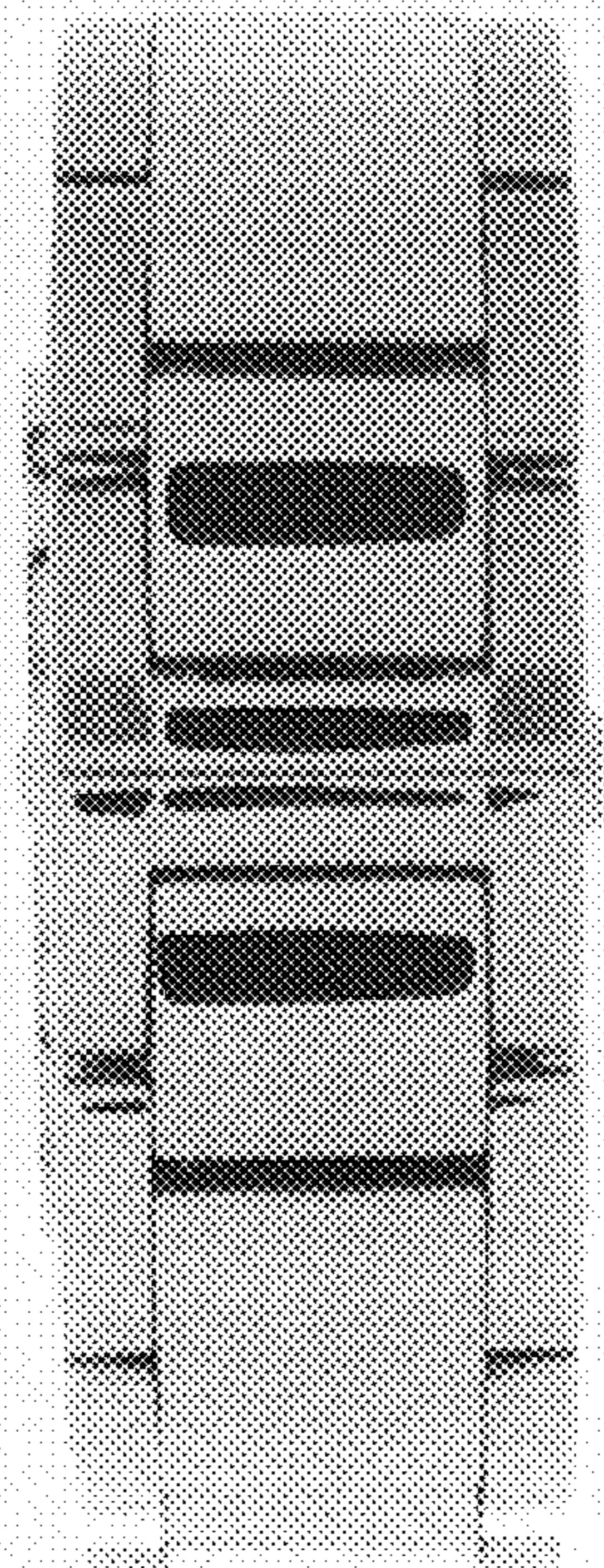


FIG. 4

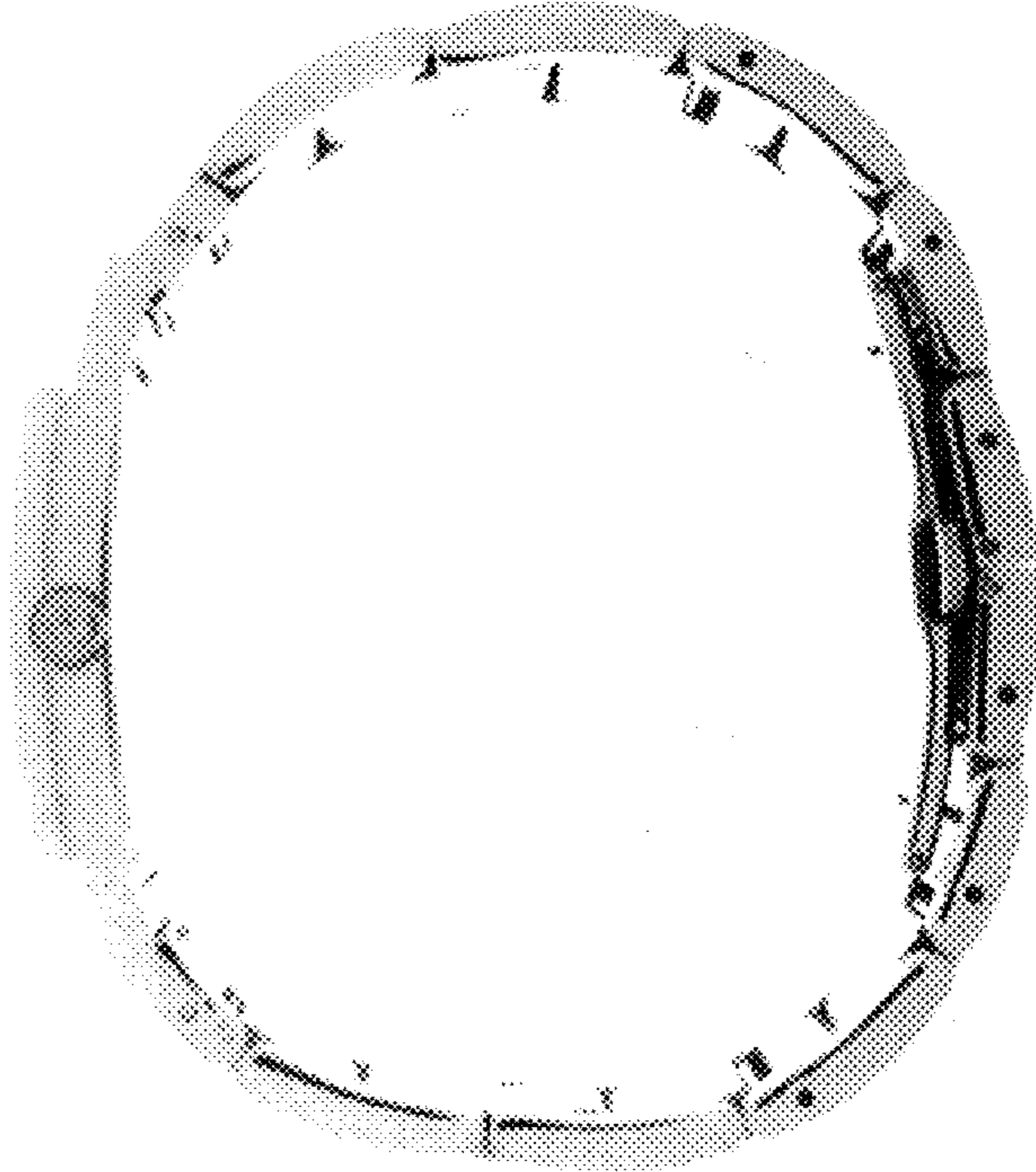


FIG. 6

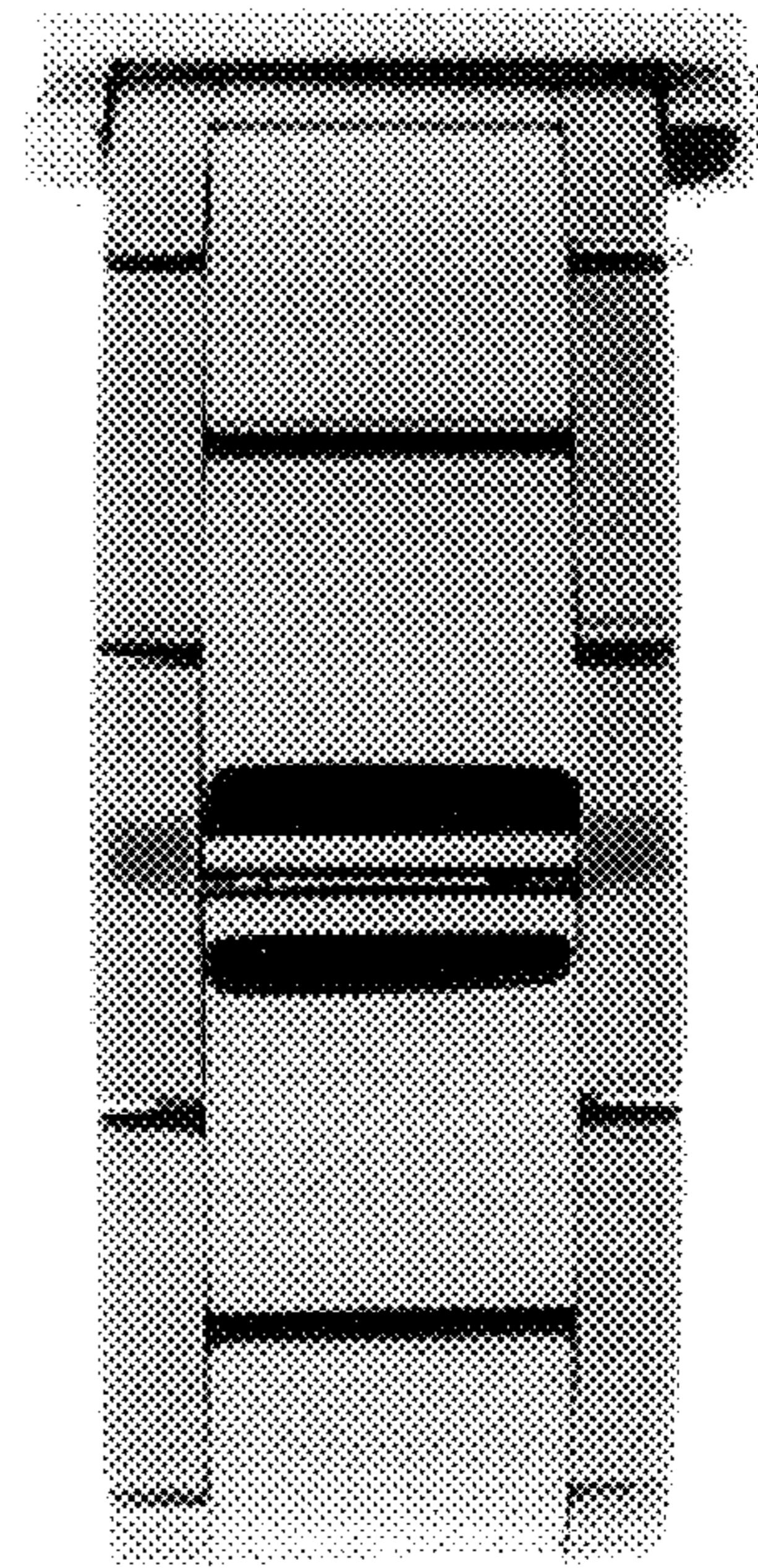


FIG. 5

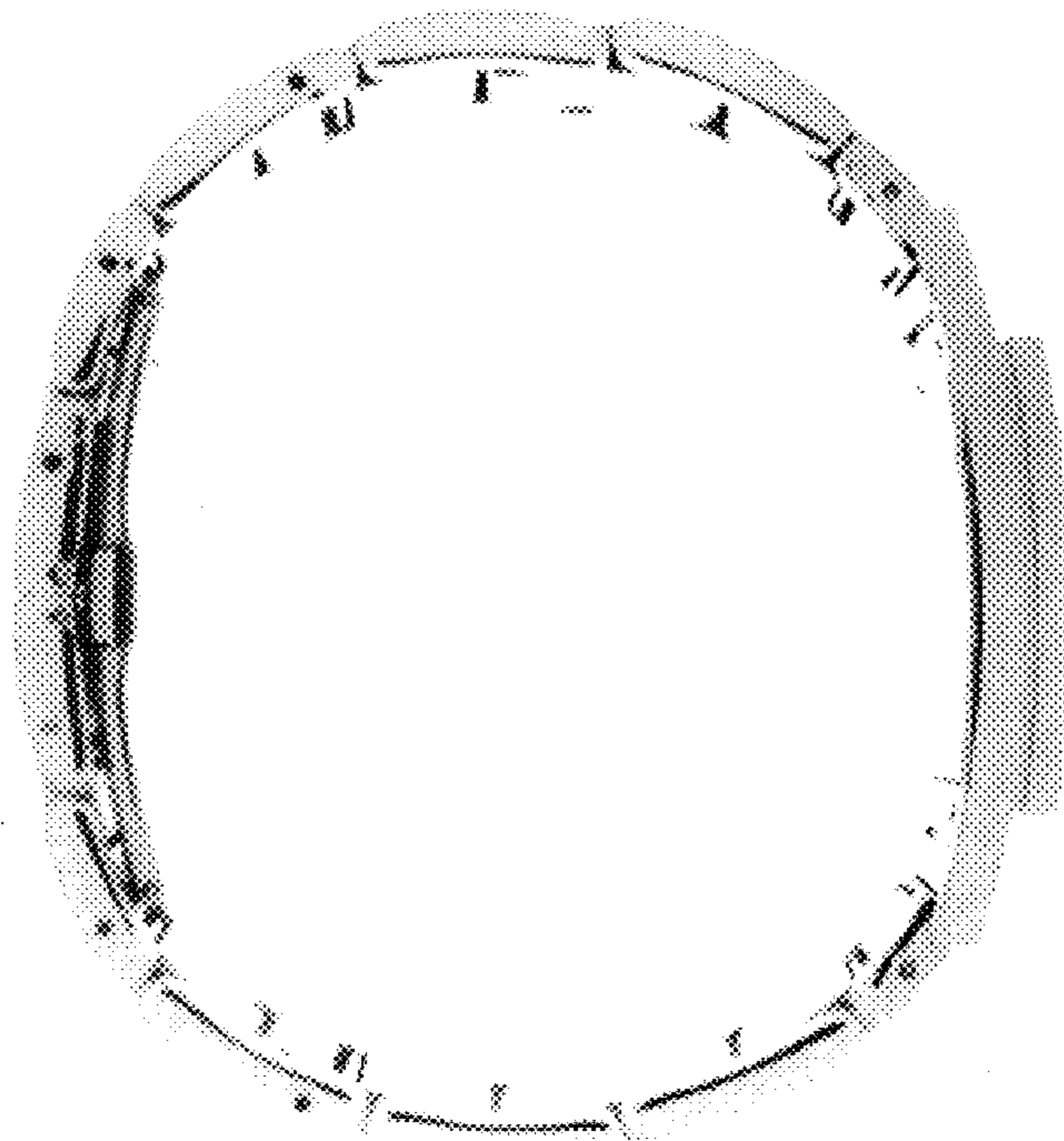


FIG. 7

