



US00D447424B1

(12) **United States Design Patent**
Modolo

(10) **Patent No.:** **US D447,424 S**

(45) **Date of Patent:** **** Sep. 4, 2001**

(54) **WATCH CASE**

(75) **Inventor:** **Dino Modolo**, La Chaux-de-Fonds
(CH)

(73) **Assignee:** **Vacheron & Constantin S.A.**, Geneva
(CH)

(**) **Term:** **14 Years**

(21) **Appl. No.:** **29/129,687**

(22) **Filed:** **Sep. 21, 2000**

(30) **Foreign Application Priority Data**

Mar. 27, 2000 (XH) DMA/004 866

(51) **LOC (7) Cl.** **10-02**

(52) **U.S. Cl.** **D10/30**

(58) **Field of Search** D10/1-40, 122-132;
368/280-282, 276-277, 285

(56) **References Cited**

U.S. PATENT DOCUMENTS

D. 181,013 * 9/1957 Mamie D10/38

D. 336,616 * 6/1993 Gueit D10/39
D. 342,906 * 1/1994 Dumas D10/39
D. 399,763 * 10/1998 Rabassa D10/38
D. 423,953 * 5/2000 Kauffmann D10/39

* cited by examiner

Primary Examiner—Nelson C. Holtje

(74) *Attorney, Agent, or Firm*—Young & Thompson

(57) **CLAIM**

The ornamental design for a watch case, as shown and described.

DESCRIPTION

FIG. 1 is a perspective view thereof.

FIG. 2 is a front view.

FIG. 3 is a rear view.

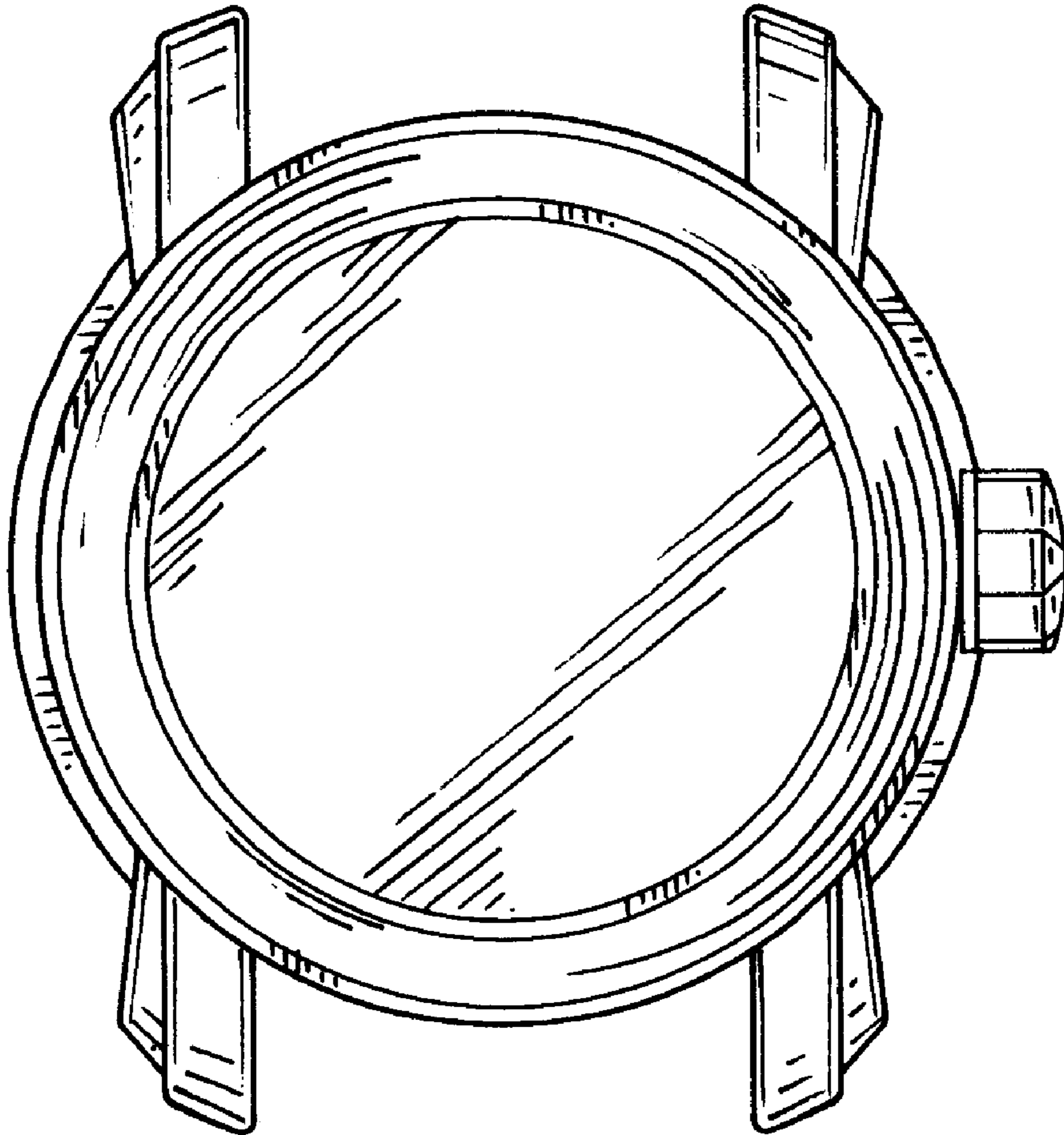
FIG. 4 is a side view from the right of FIG. 2.

FIG. 5 is a side view from the left of FIG. 2.

FIG. 6 is a side view from the top of FIG. 2; and,

FIG. 7 is a side view from the bottom of FIG. 2.

1 Claim, 2 Drawing Sheets



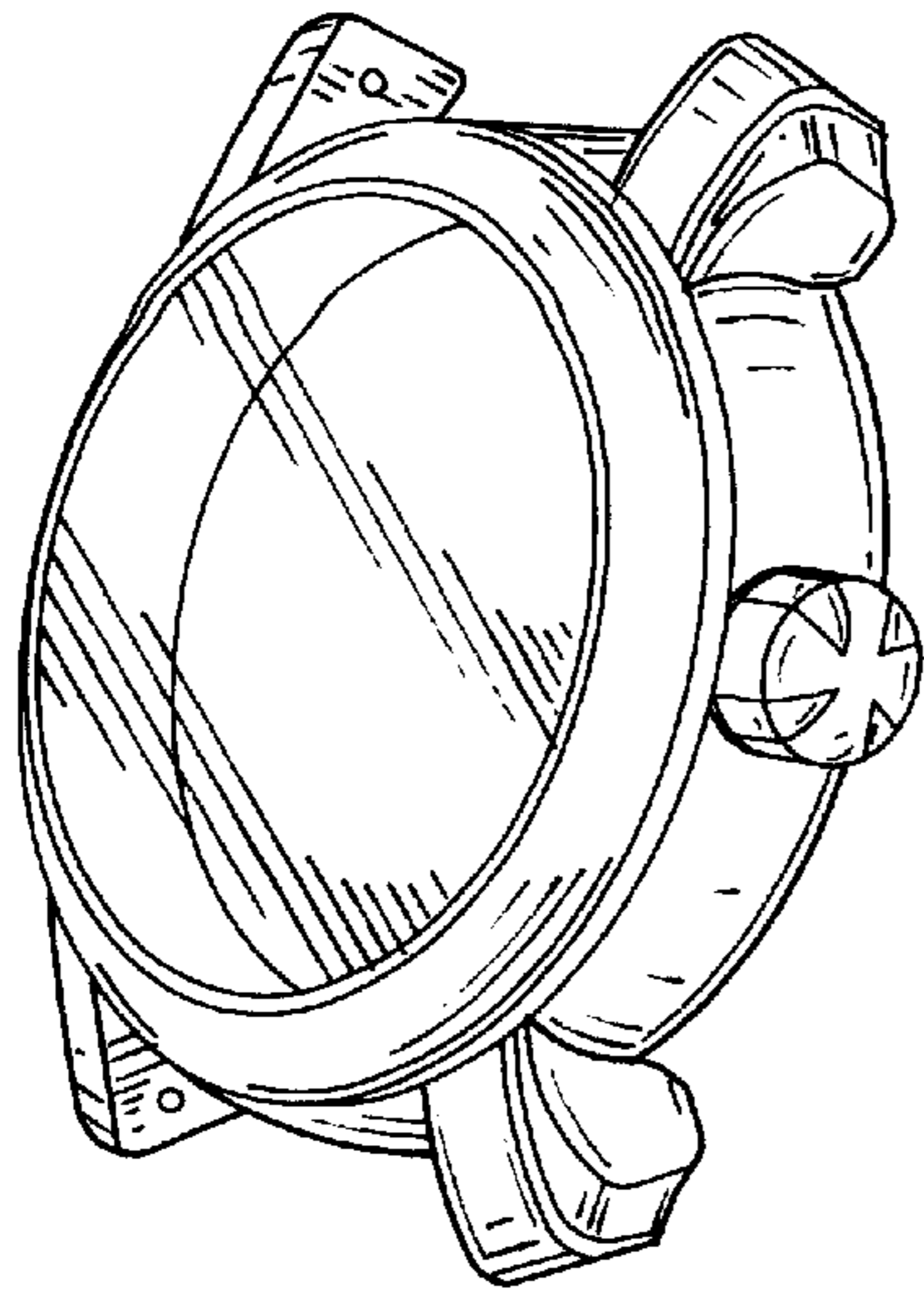


FIG. 1

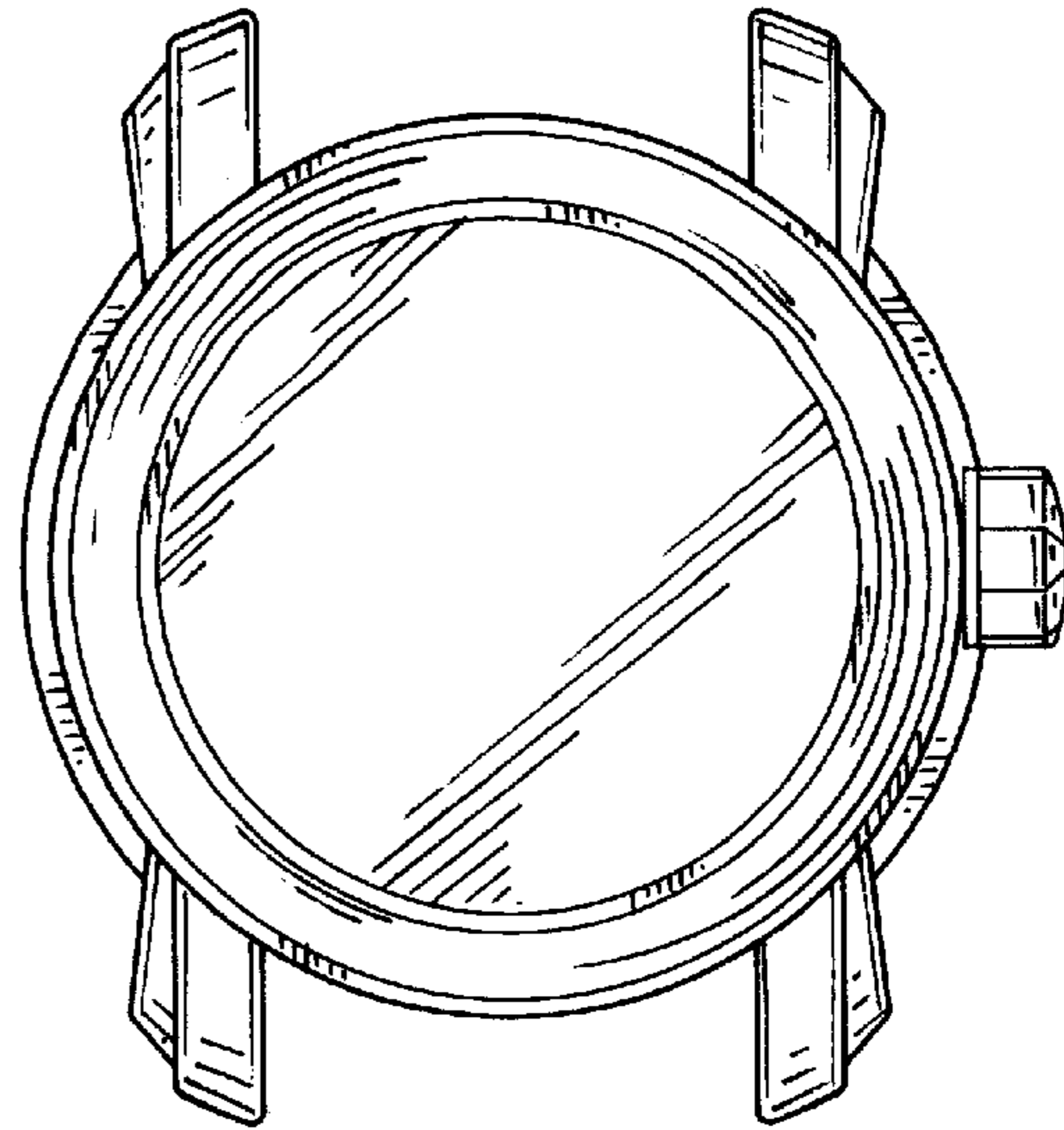


FIG. 2

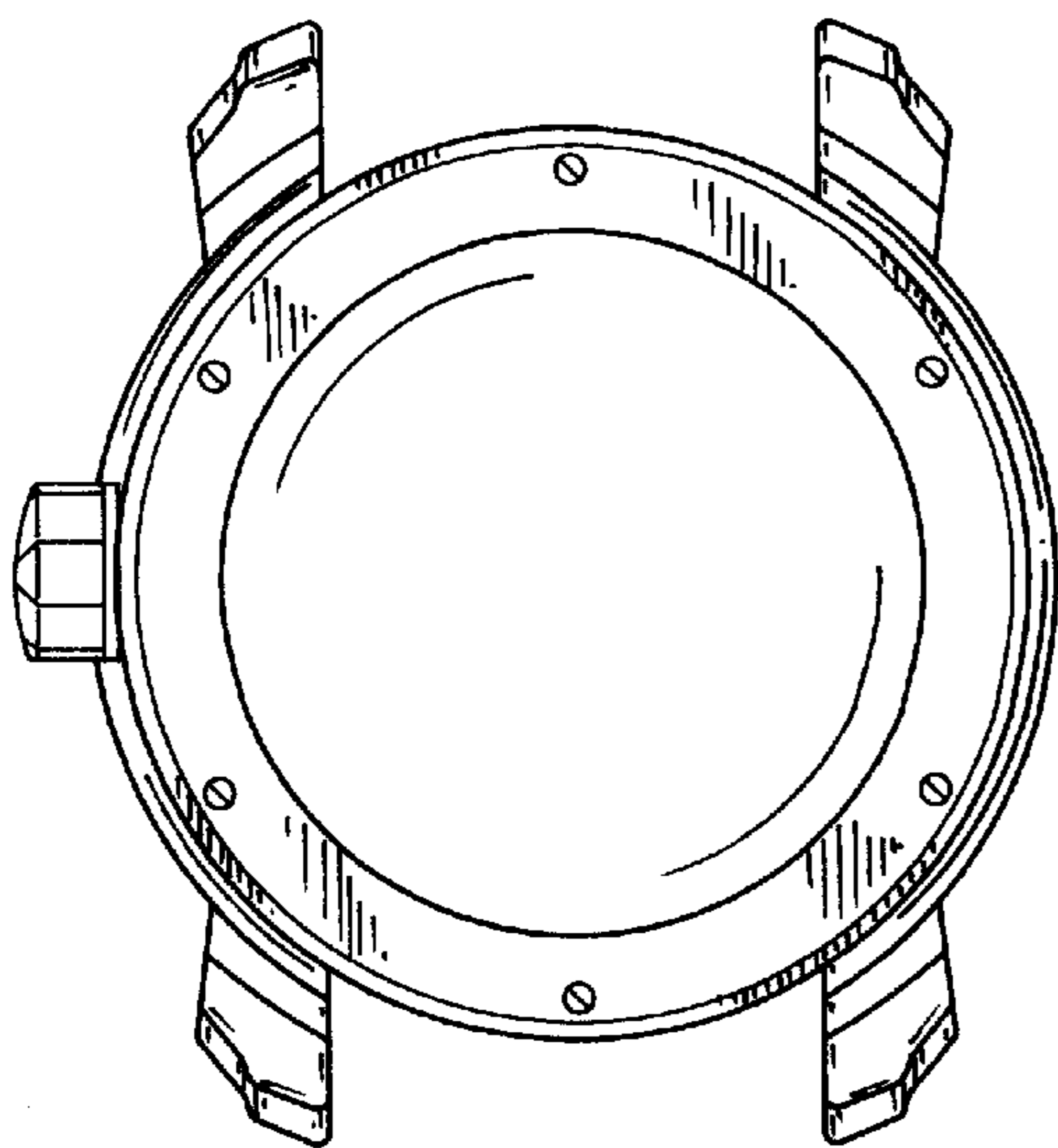


FIG. 3

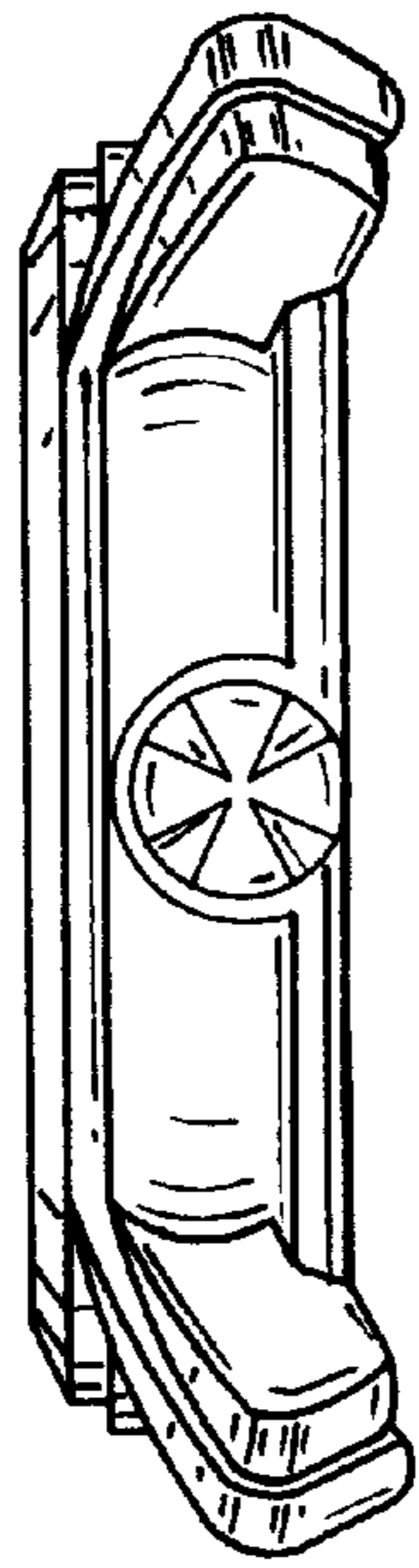


FIG. 4

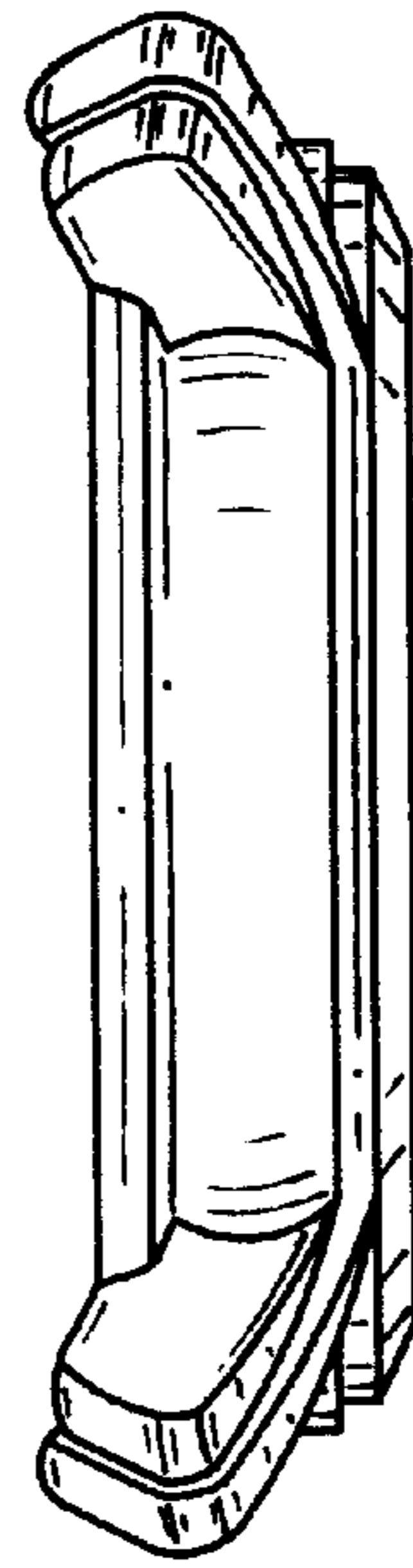


FIG. 5

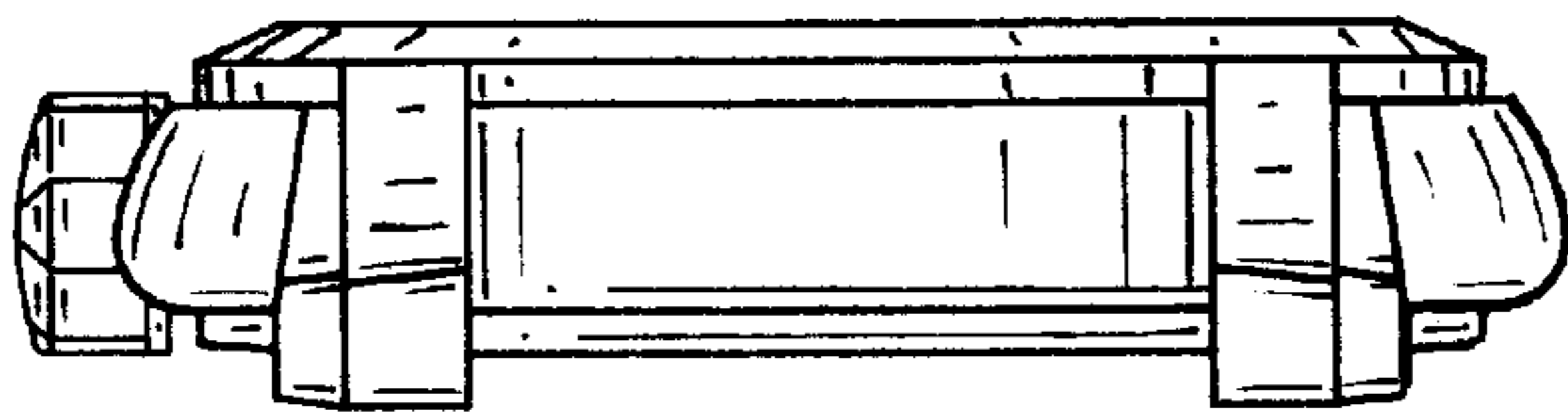


FIG. 6

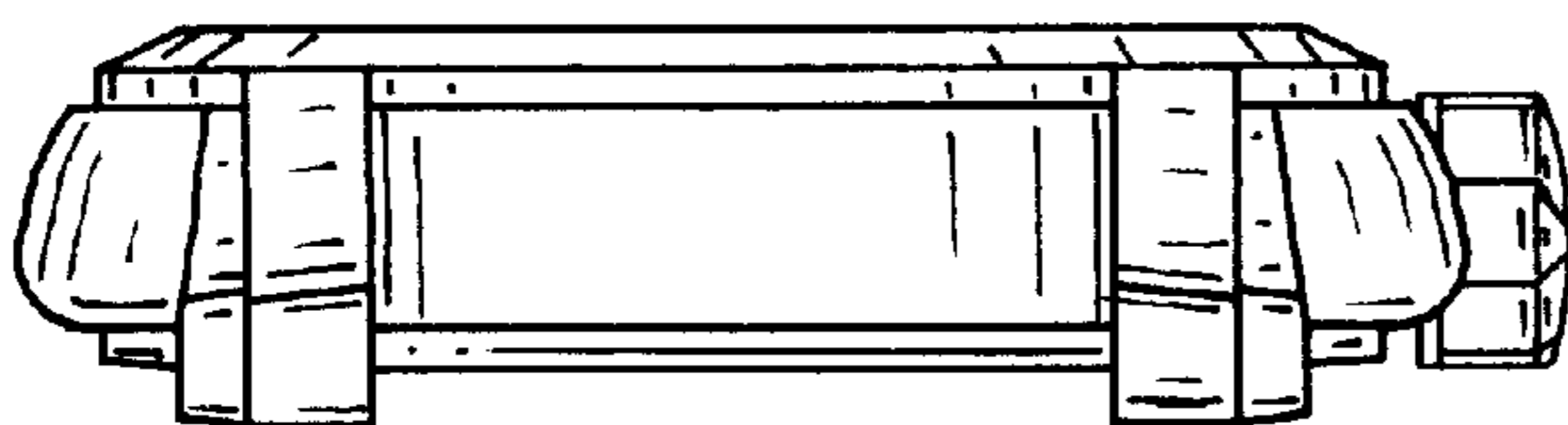


FIG. 7