



US00D447422B1

(12) **United States Design Patent**
Peek

(10) **Patent No.:** **US D447,422 S**

(45) **Date of Patent:** **** Sep. 4, 2001**

(54) **PLASTIC BOTTLE SHOULDER AND LOWER PORTION**

(75) Inventor: **William Jerome Peek**, Lithonia, GA (US)

(73) Assignee: **Ball Corporation**, Broomfield, CO (US)

(**) Term: **14 Years**

(21) Appl. No.: **29/128,313**

(22) Filed: **Aug. 22, 2000**

(51) **LOC (7) Cl.** **09-01**

(52) **U.S. Cl.** **D9/552; D9/556; D9/574**

(58) **Field of Search** D9/500, 502, 516, D9/520, 530, 533, 537, 538, 539, 541, 542, 548, 549, 550, 552, 554, 556, 557, 558, 559, 563, 567, 569, 570, 574, 575; 215/371-379, 382, 383, 384, 385

(56) **References Cited**

U.S. PATENT DOCUMENTS

Re. 36,377	*	11/1999	Gilbert	215/382
D. 69,462		2/1926	Sears .		
D. 70,765		8/1926	Jones .		
D. 190,835		7/1961	Fuerst .		
D. 195,063		4/1963	Lilling .		
D. 212,276		9/1968	Lodding et al. .		
D. 230,136		1/1974	Strand .		
D. 305,984		2/1990	Alberghini et al. .		
D. 358,547		5/1995	Darr .		
D. 406,065		2/1999	Cheng .		
D. 414,700	*	10/1999	Zogg	D9/502
D. 424,948	*	5/2000	Ullmo	D9/540
D. 430,493	*	9/2000	Weick	D9/537
5,209,372	*	5/1993	Norwood	220/666
5,269,428	*	12/1993	Gilbert	215/100 R
5,370,250		12/1994	Gilbert .		
5,593,056		1/1997	Mero et al. .		
5,746,339	*	5/1998	Petre et al.	215/383

* cited by examiner

Primary Examiner—Ted Shooman

Assistant Examiner—Daniel Bui

(74) *Attorney, Agent, or Firm*—Brinks Hofer Gilson & Lione

(57) **CLAIM**

We claim the ornamental design for a plastic bottle shoulder and lower portion, as shown and described.

DESCRIPTION

FIG. 1 is a perspective view of the front side of a plastic bottle including our design for a shoulder portion and a lower portion in accordance with the present invention, the features shown in phantom being conventional and not forming a part of the ornamental design.

FIG. 2 is a side elevation of the front side of the plastic bottle shown in FIG. 1, the features shown in phantom being conventional and not forming a part of the ornamental design.

FIG. 3 is a side elevation of the right side of the plastic bottle shown in FIGS. 1 and 2, the features shown in phantom being conventional and not forming a part of the ornamental design.

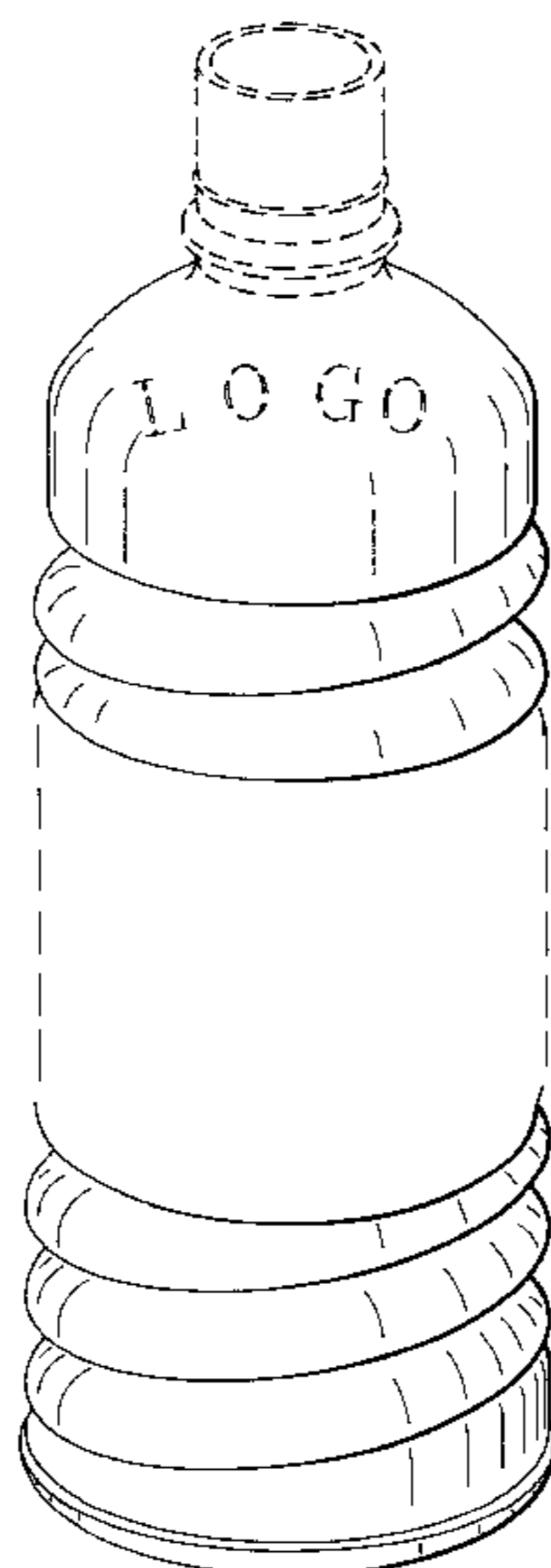
FIG. 4 is a side elevation of the back side of the plastic bottle shown in FIGS. 1 and 2, the features shown in phantom being conventional and not forming a part of the ornamental design..

FIG. 5 is a side elevation of the left side of the plastic bottle shown in FIGS. 1 and 2, the features shown in phantom being conventional and not forming a part of the ornamental design..

FIG. 6 is a top plan view of the plastic bottle shown in FIGS. 1-5, the features shown in phantom being conventional and not forming a part of the ornamental design; and,

FIG. 7 is a bottom view of the plastic bottle shown in the prior figures, the features shown in phantom being conventional and not forming a part of the ornamental design.

1 Claim, 6 Drawing Sheets



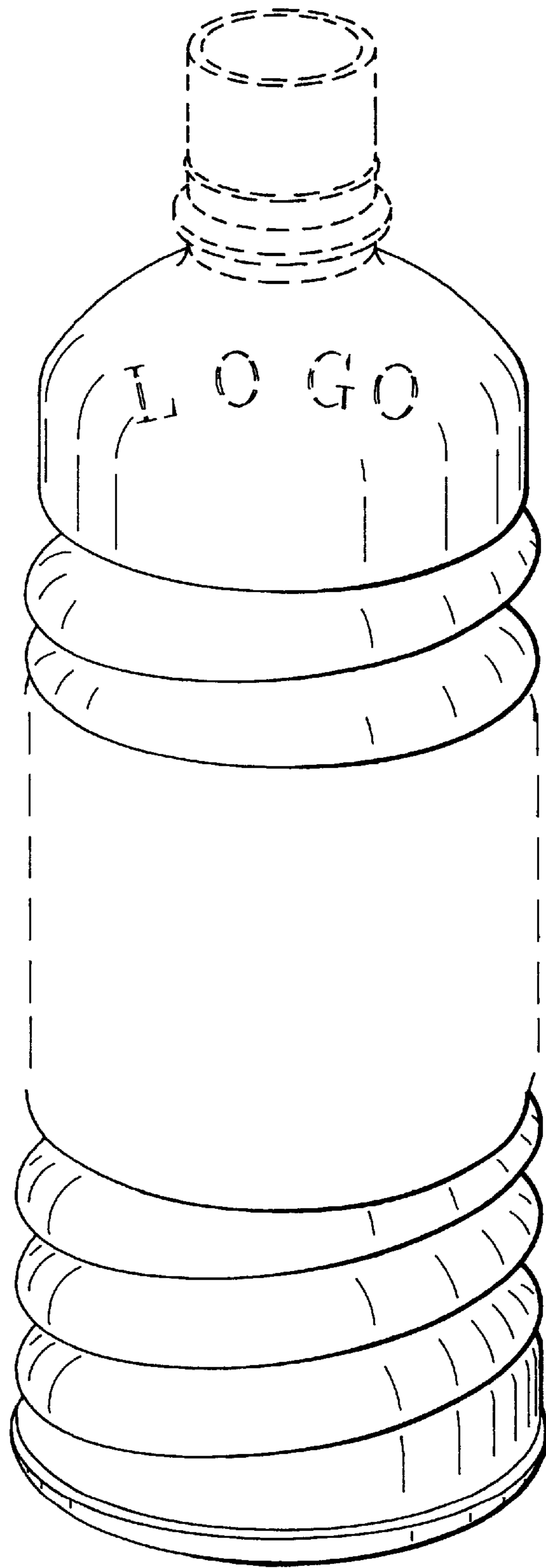


FIG. 1

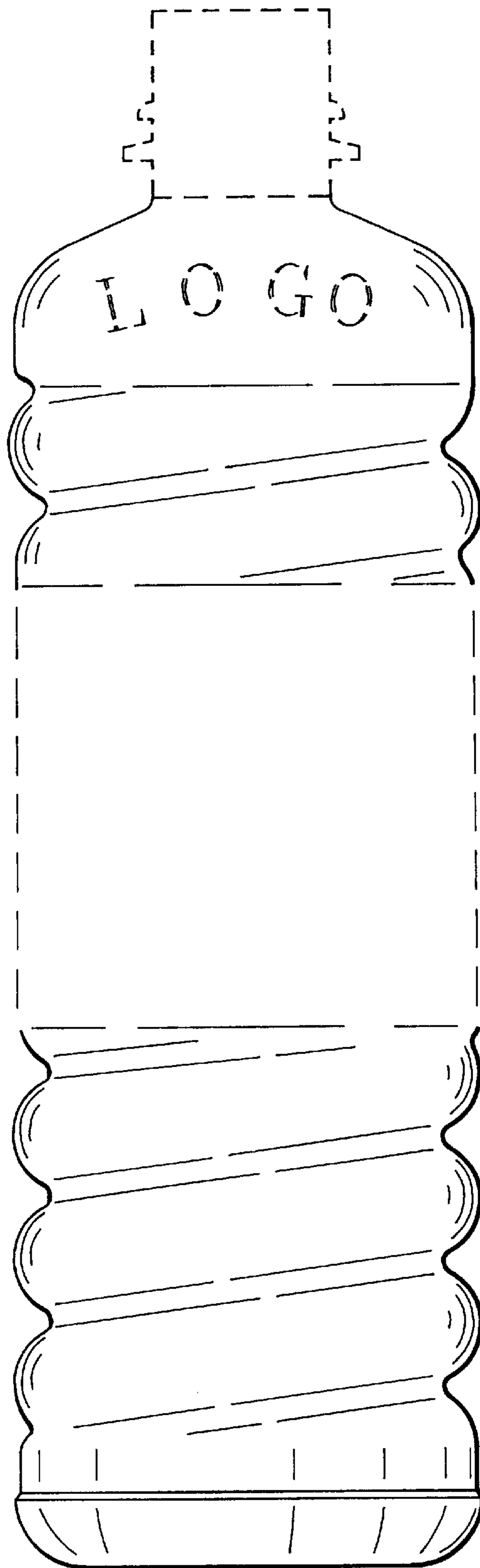


FIG. 2

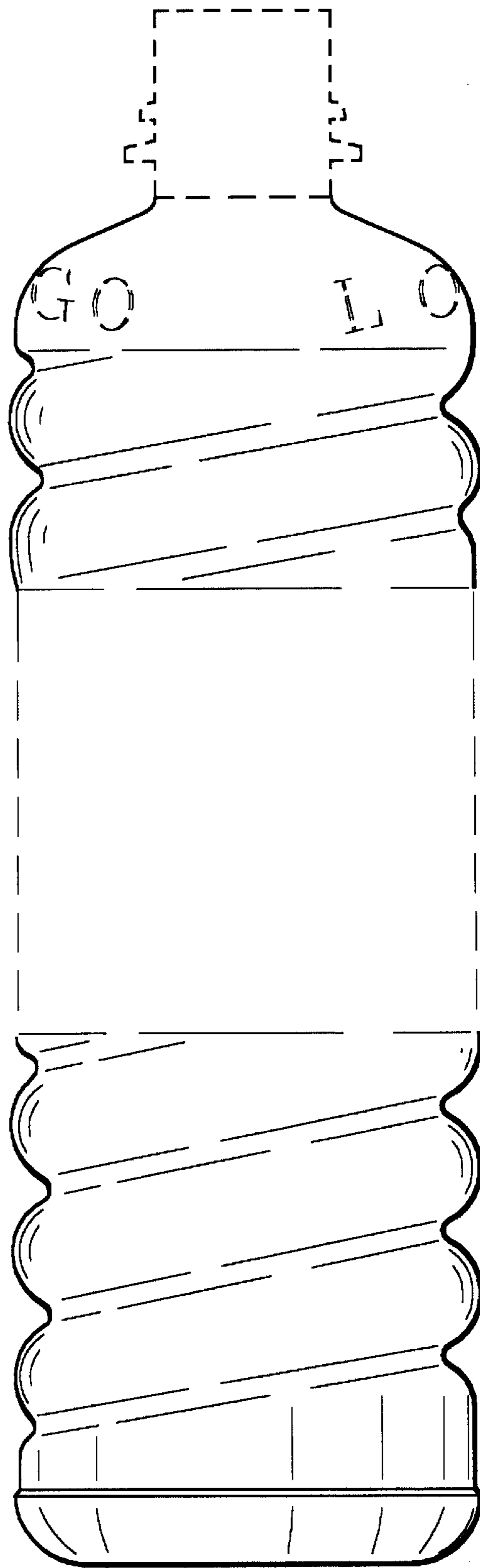


FIG. 3

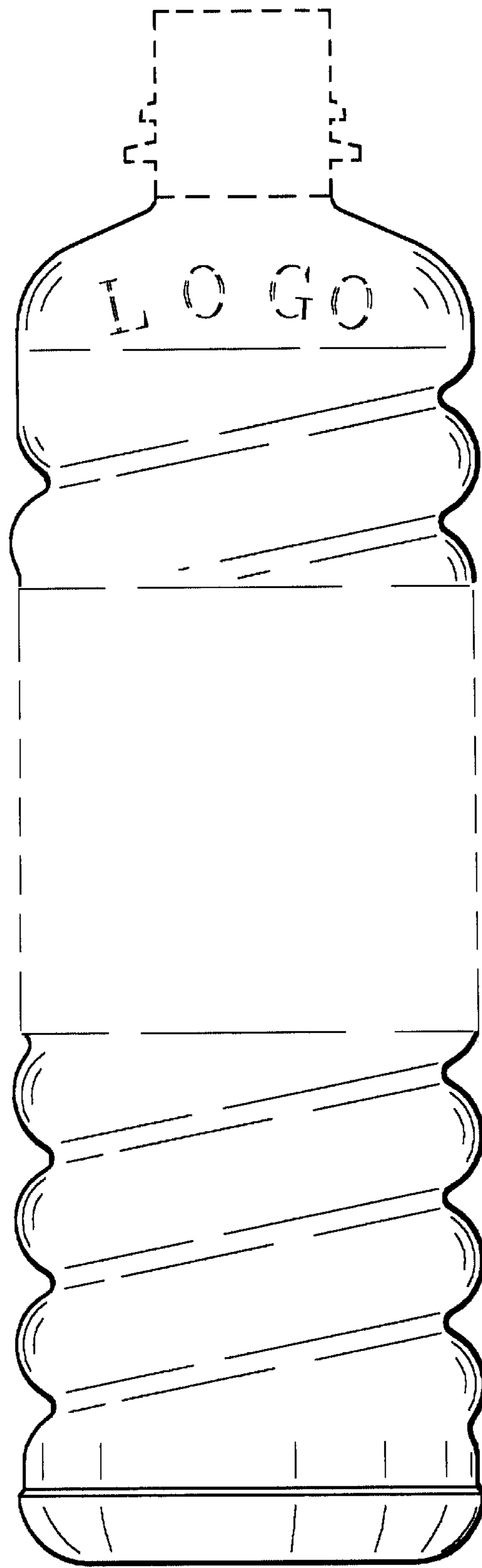


FIG. 4

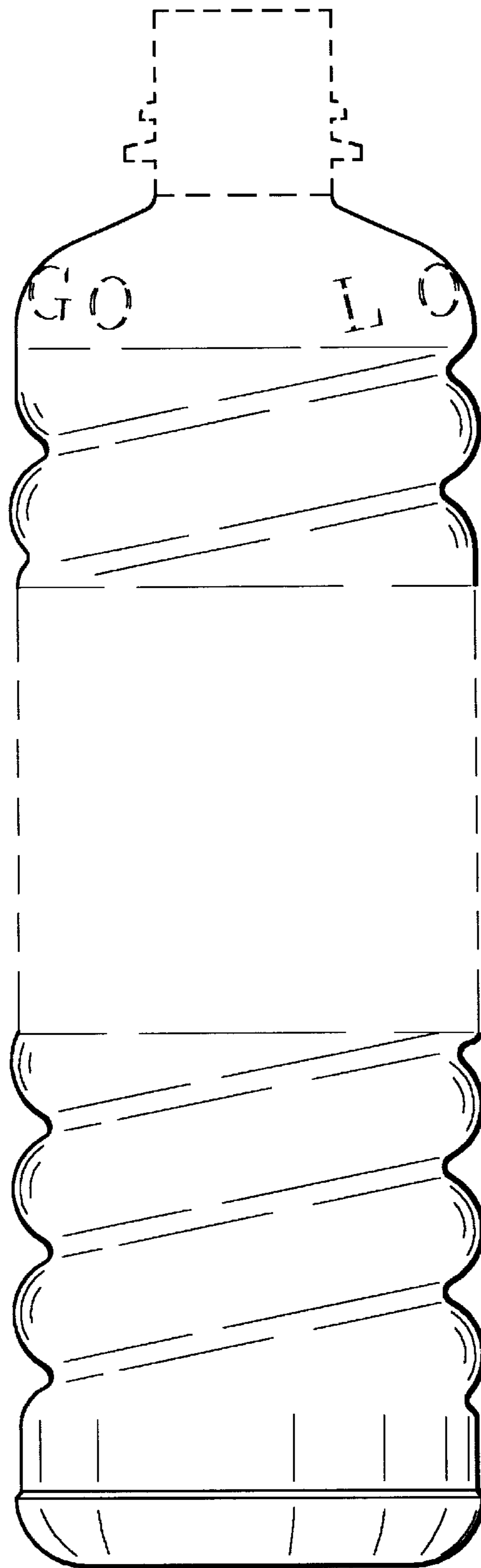


FIG. 5

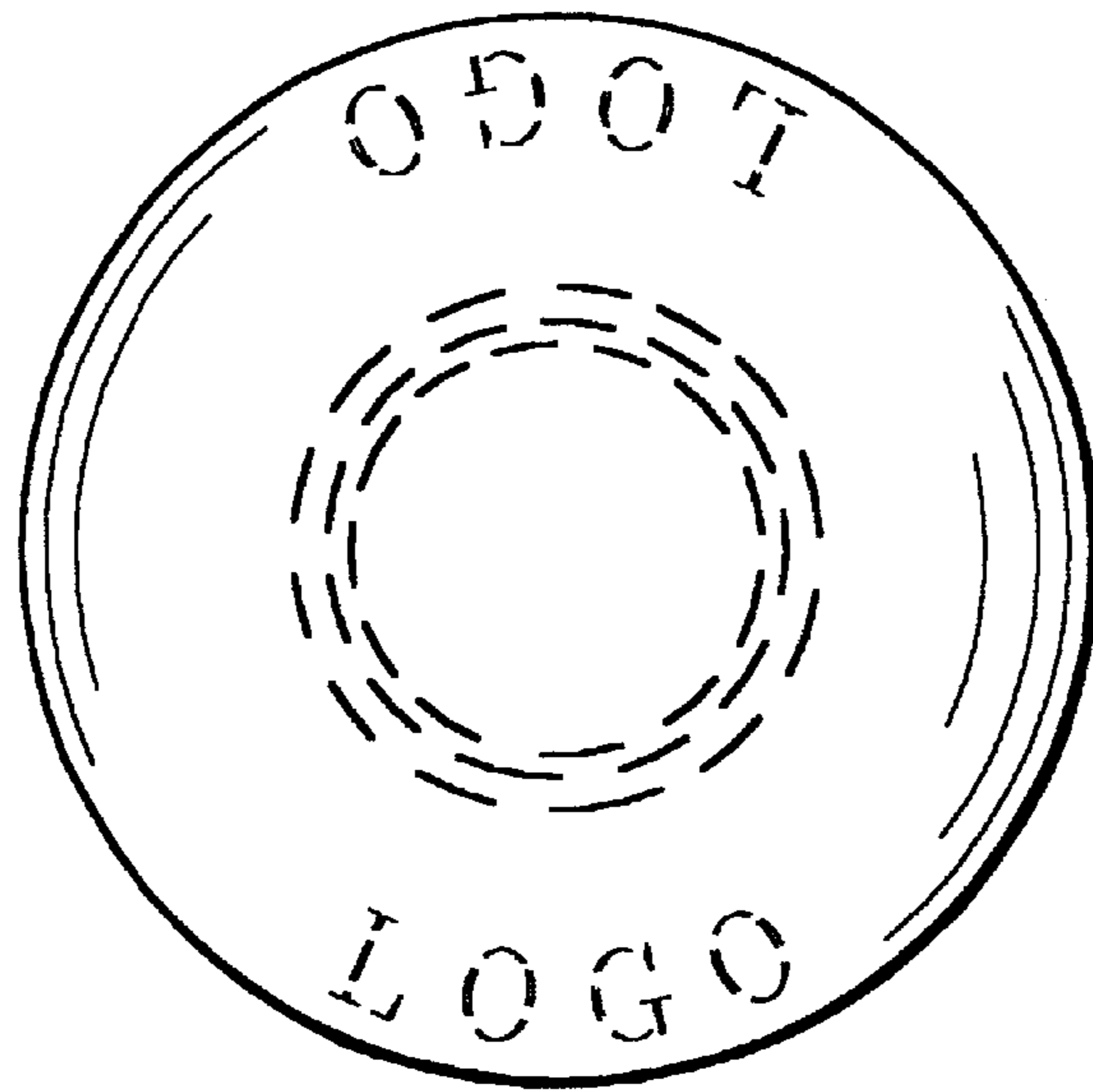


FIG. 6

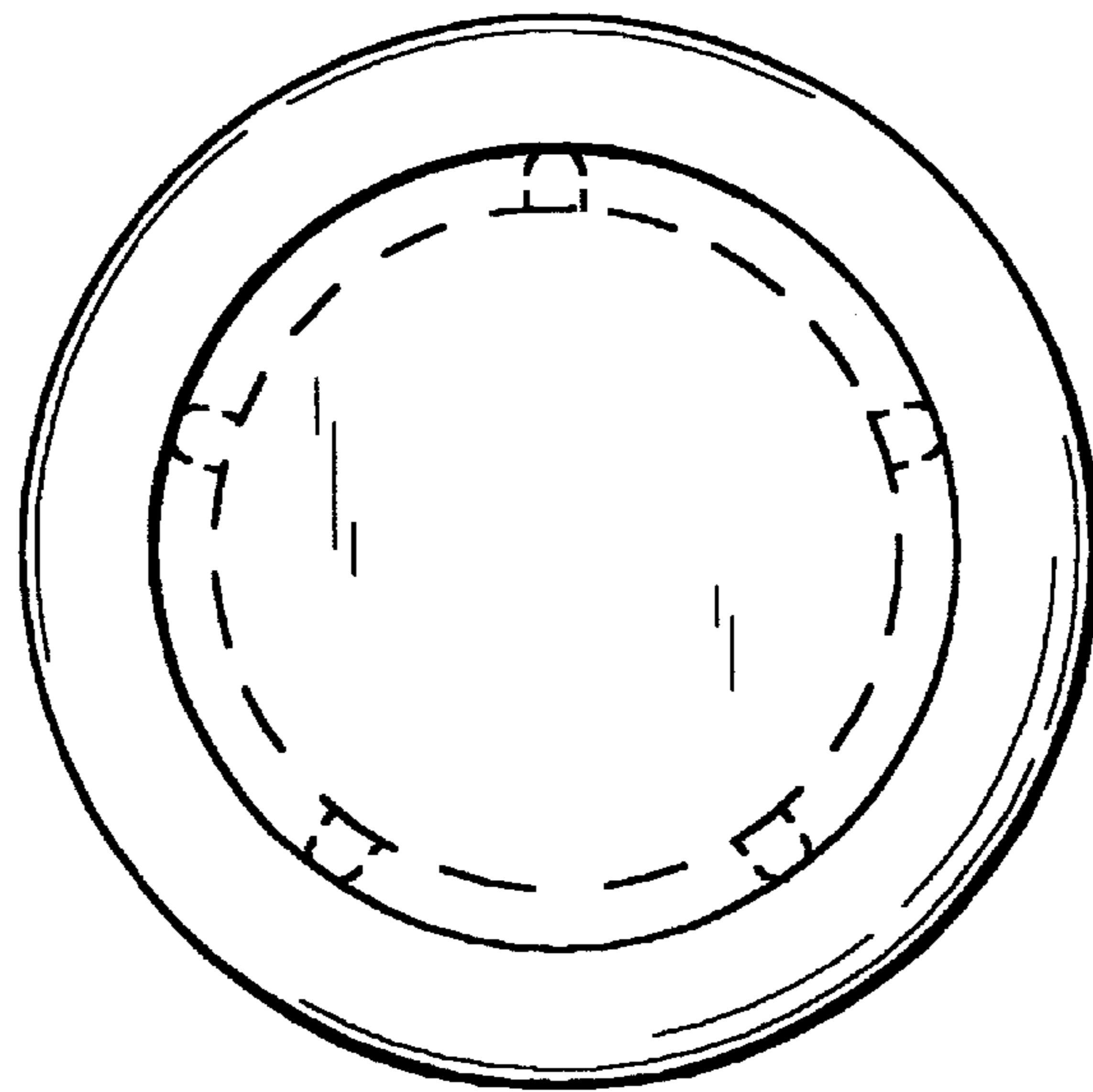


FIG. 7