



US00D447419B1

(12) **United States Design Patent**
Jaketic

(10) **Patent No.:** **US D447,419 S**

(45) **Date of Patent:** **** Sep. 4, 2001**

(54) **DISPENSER BOTTLE**

(75) **Inventor:** **Ronald J. Jaketic**, East Windsor, NJ
(US)

(73) **Assignee:** **Carter-Wallace, Inc.**, New York, NY
(US)

(**) **Term:** **14 Years**

(21) **Appl. No.:** **29/123,685**

(22) **Filed:** **May 23, 2000**

(51) **LOC (7) Cl.** **09-01**

(52) **U.S. Cl.** **D9/521; D9/517**

(58) **Field of Search** D9/500-502, 516,
D9/517, 520, 521, 549, 556, 557, 558,
559, 569, 570, 574; 215/381-384; 222/464.7,
377, 321.5

(56) **References Cited**

U.S. PATENT DOCUMENTS

- D. 207,924 * 6/1967 Revillon D9/503
- D. 209,951 * 1/1968 Smith D9/500
- D. 233,091 * 10/1974 Radke D22/112
- D. 244,562 * 5/1977 Hagglund et al. D9/339
- D. 247,578 * 3/1978 Sponseller D24/224
- D. 258,534 * 3/1981 Nagel D24/224
- D. 265,549 * 7/1982 Houts et al. D3/272
- D. 280,361 * 9/1985 Appel et al. D3/271

- D. 289,143 * 4/1987 Guillaume D9/501
- D. 305,849 * 2/1990 Das et al. D7/606
- D. 333,426 * 2/1993 Lande D9/307
- D. 354,909 * 1/1995 Blanche D9/341
- D. 378,847 * 4/1997 Ey D22/112
- D. 401,697 * 11/1998 Cloonan et al. D24/224
- 4,980,293 * 12/1990 Jeffs 436/180

* cited by examiner

Primary Examiner—Adir Aronovich

Assistant Examiner—Carol Rademaker

(74) *Attorney, Agent, or Firm*—Kenneth Watov; Watov & Kipnes, P.C.

(57) **CLAIM**

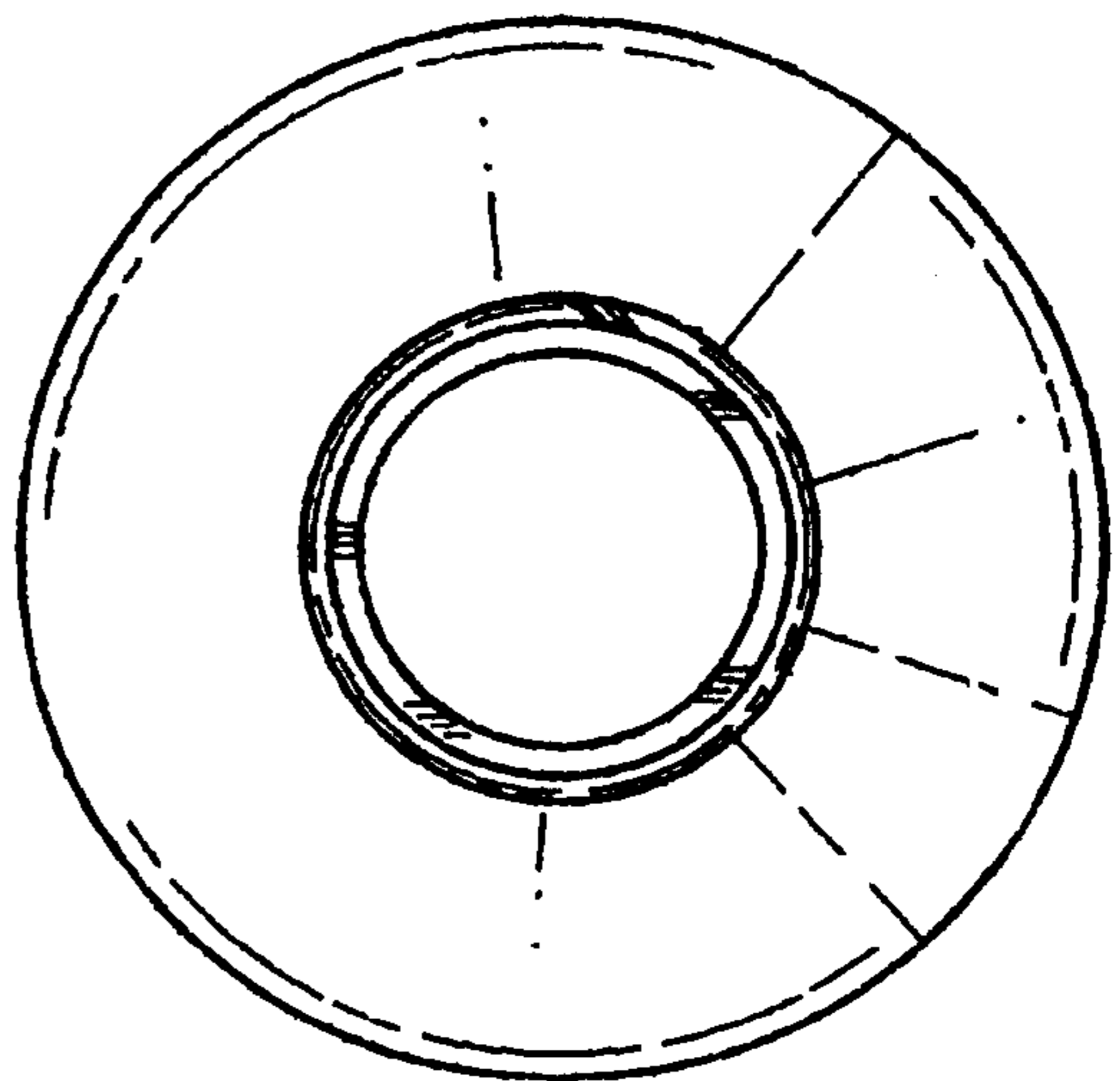
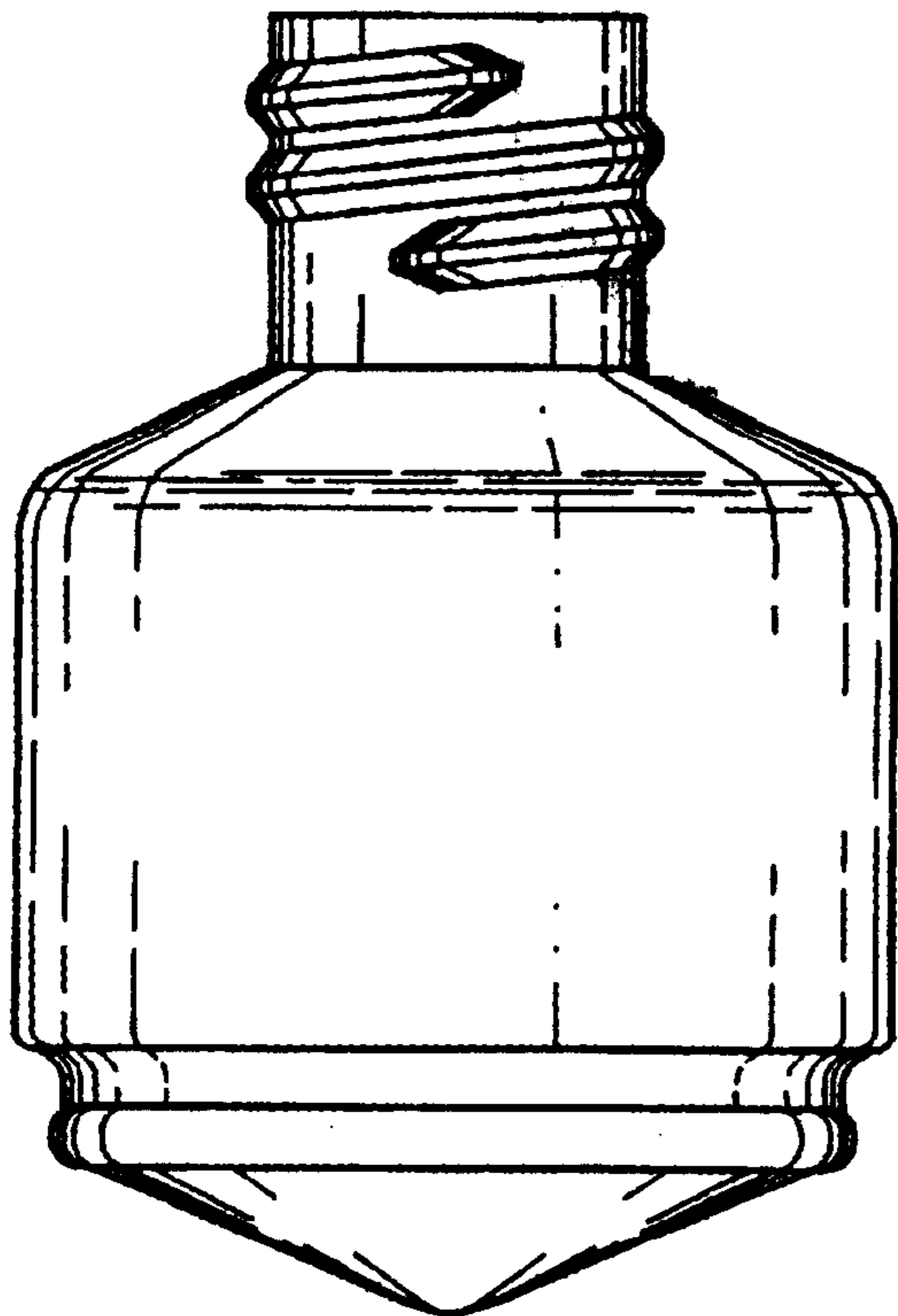
The ornamental design for a dispenser bottle, as shown and described.

DESCRIPTION

FIG. 1 is a perspective view, looking from below, of the dispenser bottle of my new design, the broken line showing of a snap on skirt being for environmental purposes only and forming no part of the claimed design.

FIG. 2 is a front elevational view of the dispenser bottle; FIG. 3 is a rear elevational view of the dispenser bottle; FIG. 4 is a right side elevational view of the dispenser bottle; FIG. 5 is a left side elevational view of the dispenser bottle; FIG. 6 is a top plan view of the dispenser bottle; and, FIG. 7 is a bottom plan view of the dispenser bottle.

1 Claim, 2 Drawing Sheets



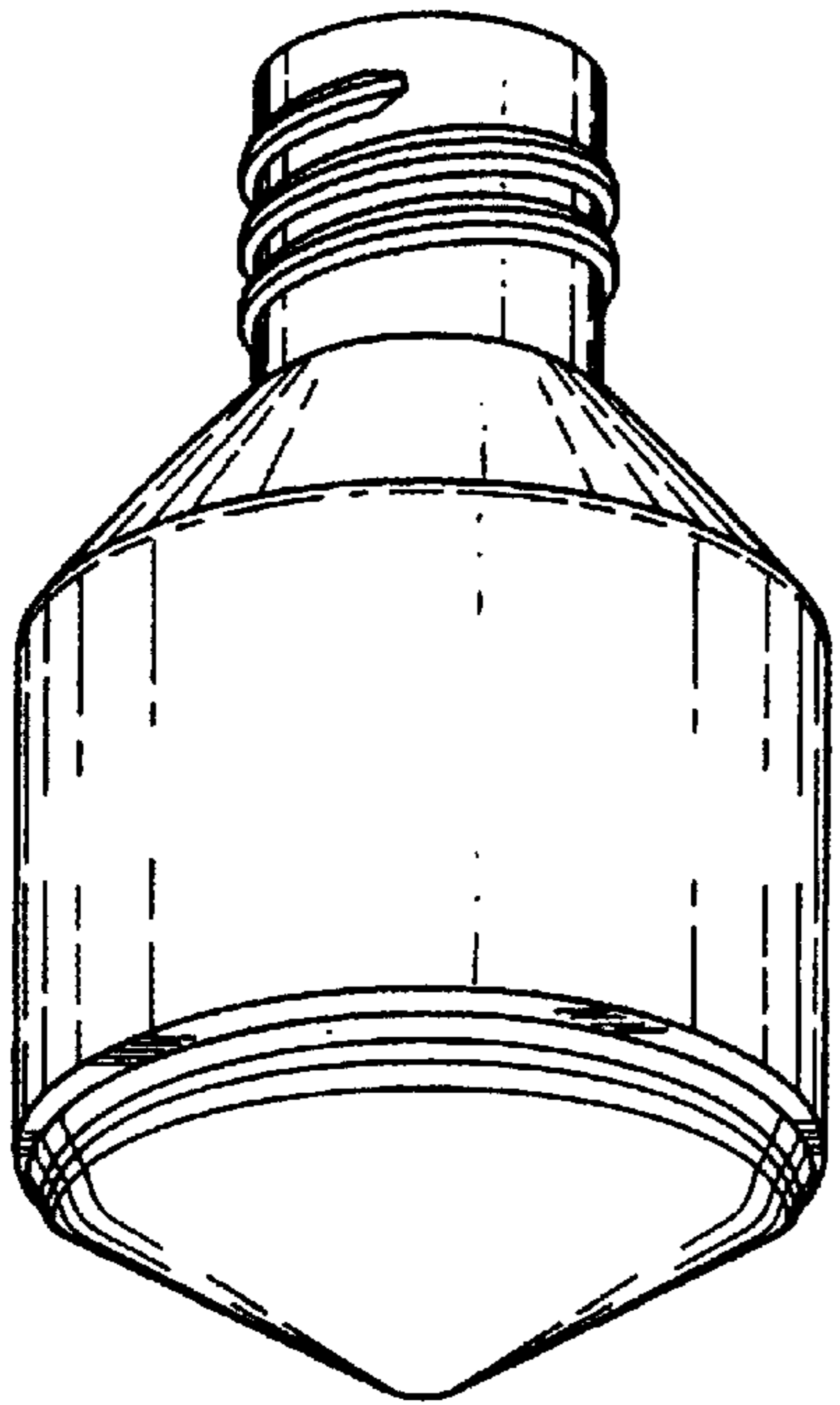


FIG. 1

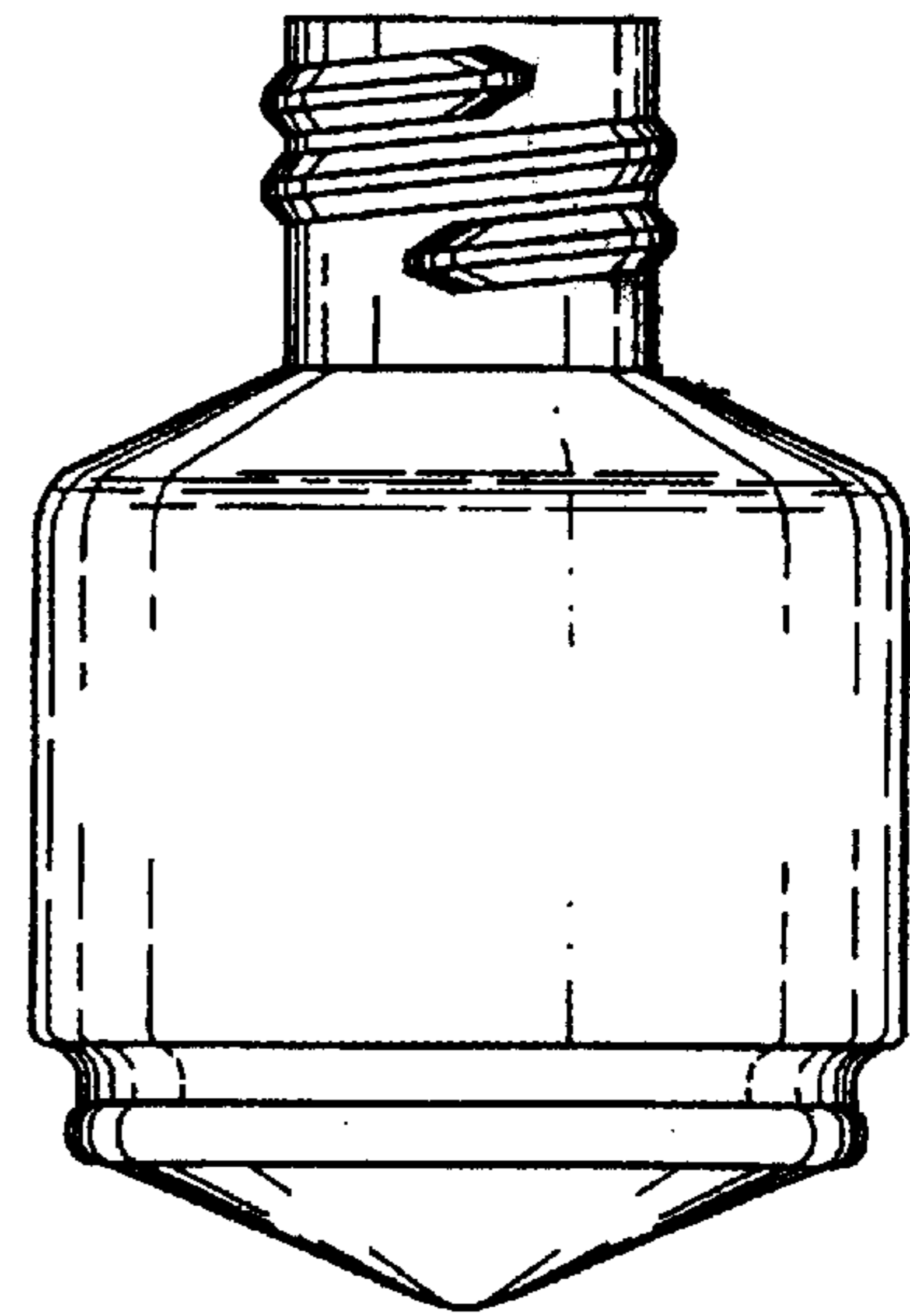
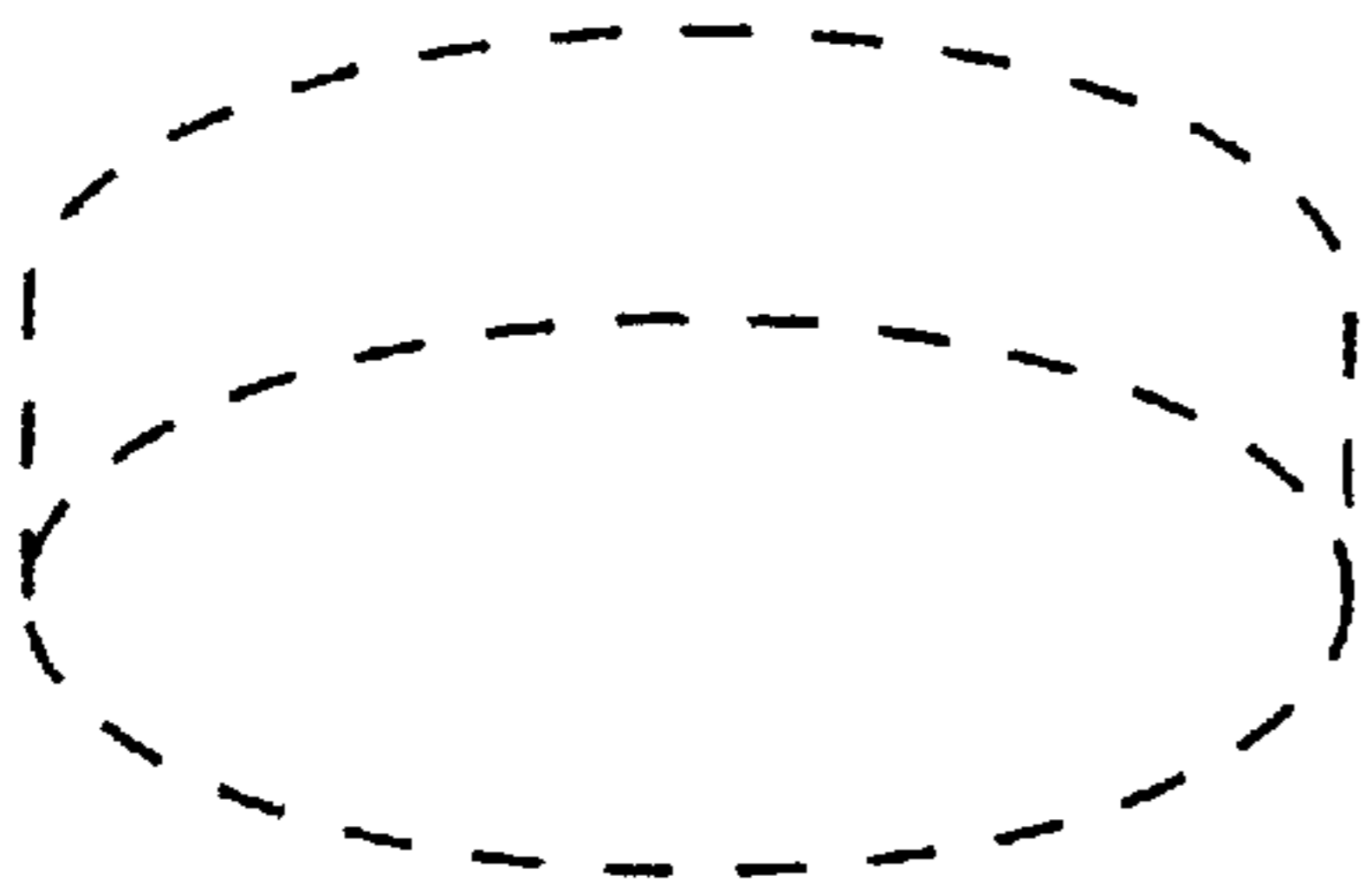


FIG. 2

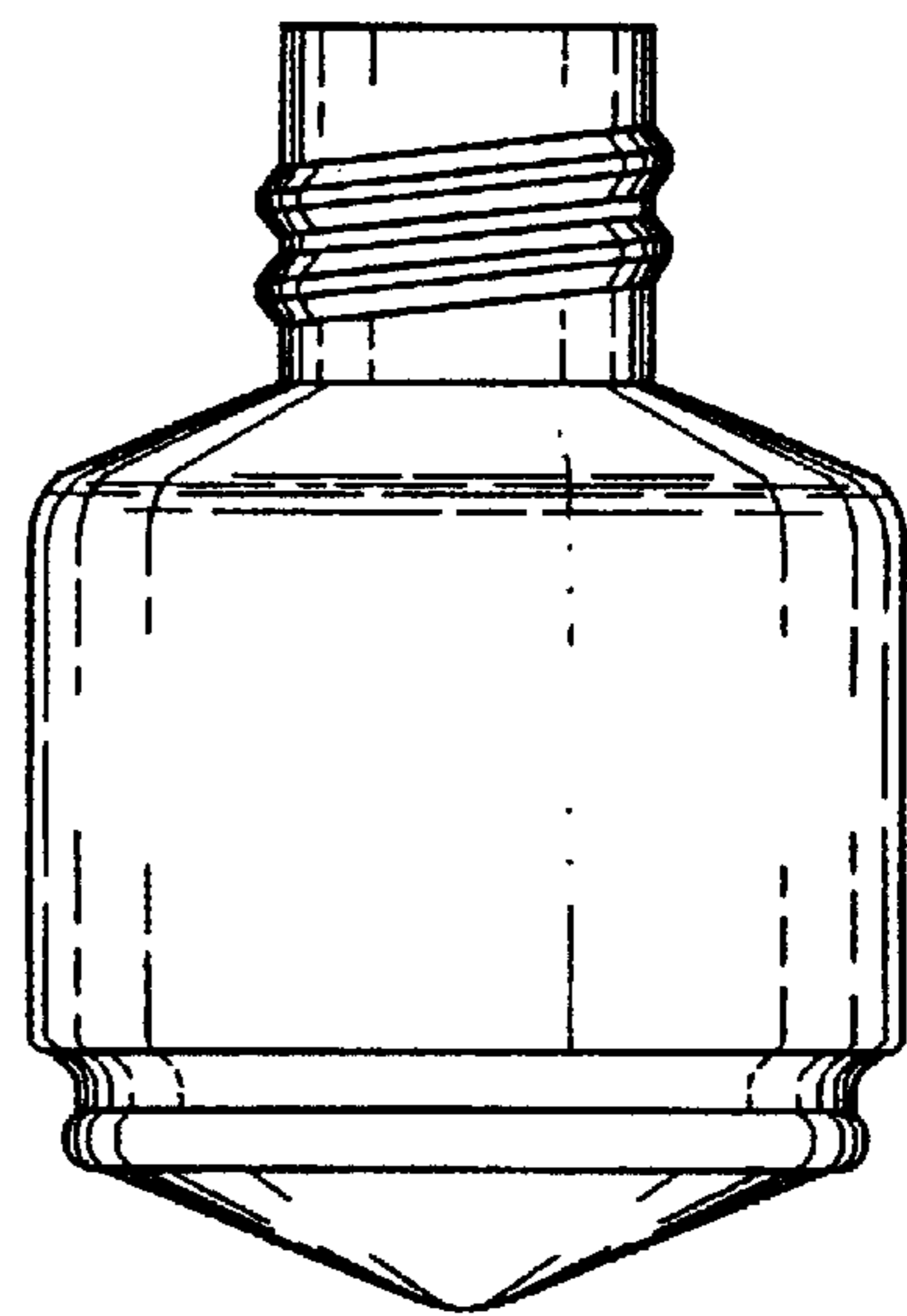


FIG. 3

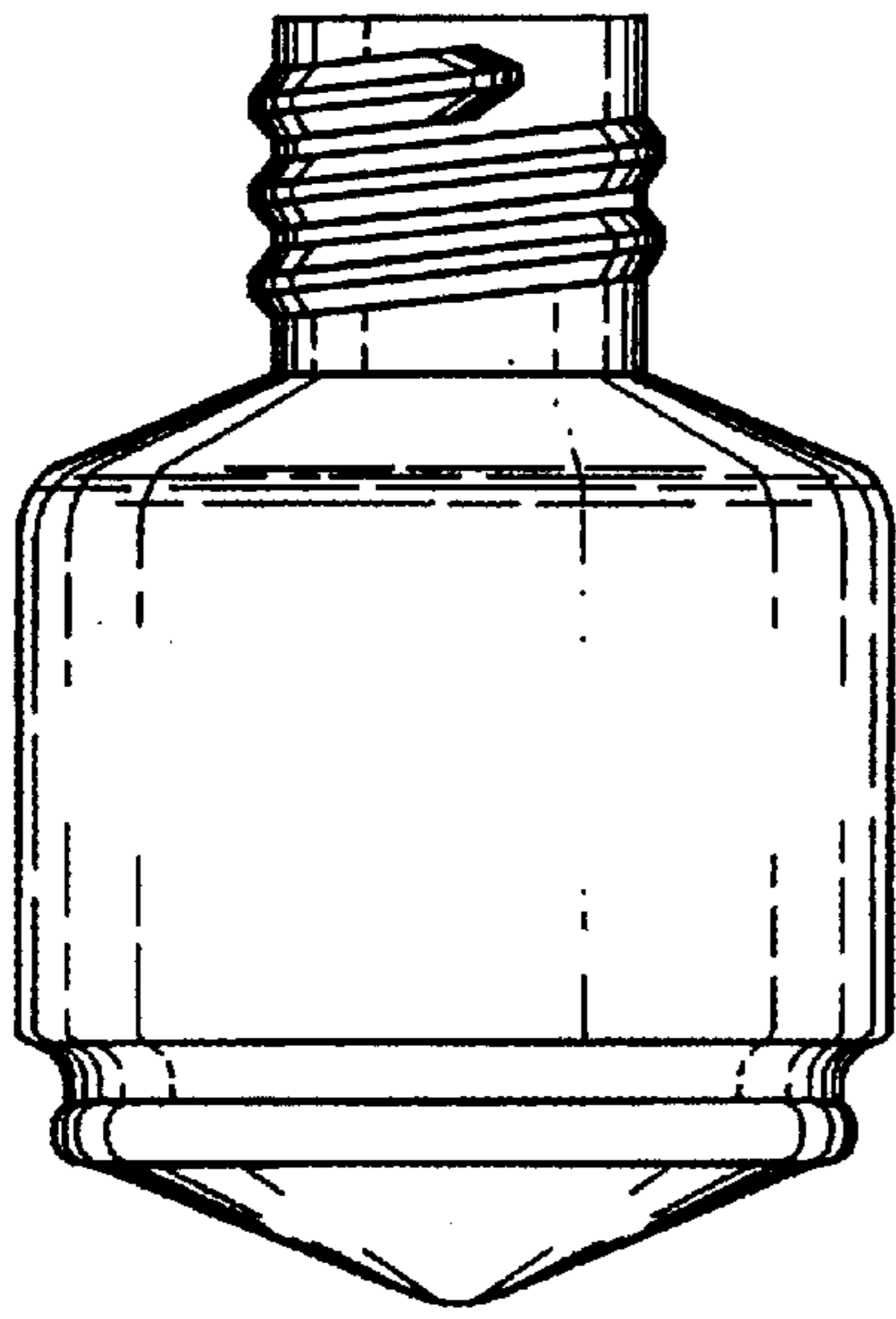


FIG. 4

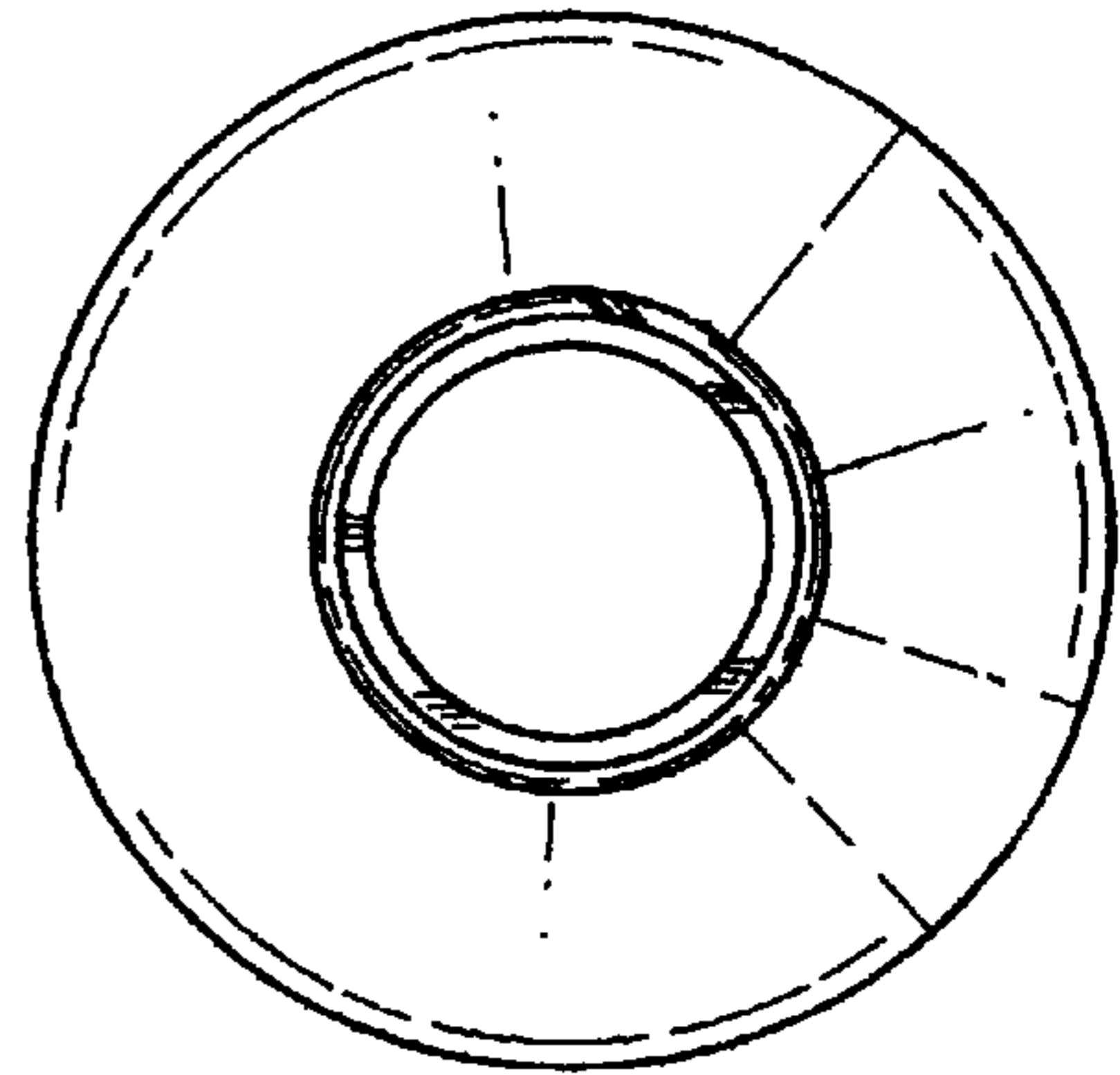


FIG. 6

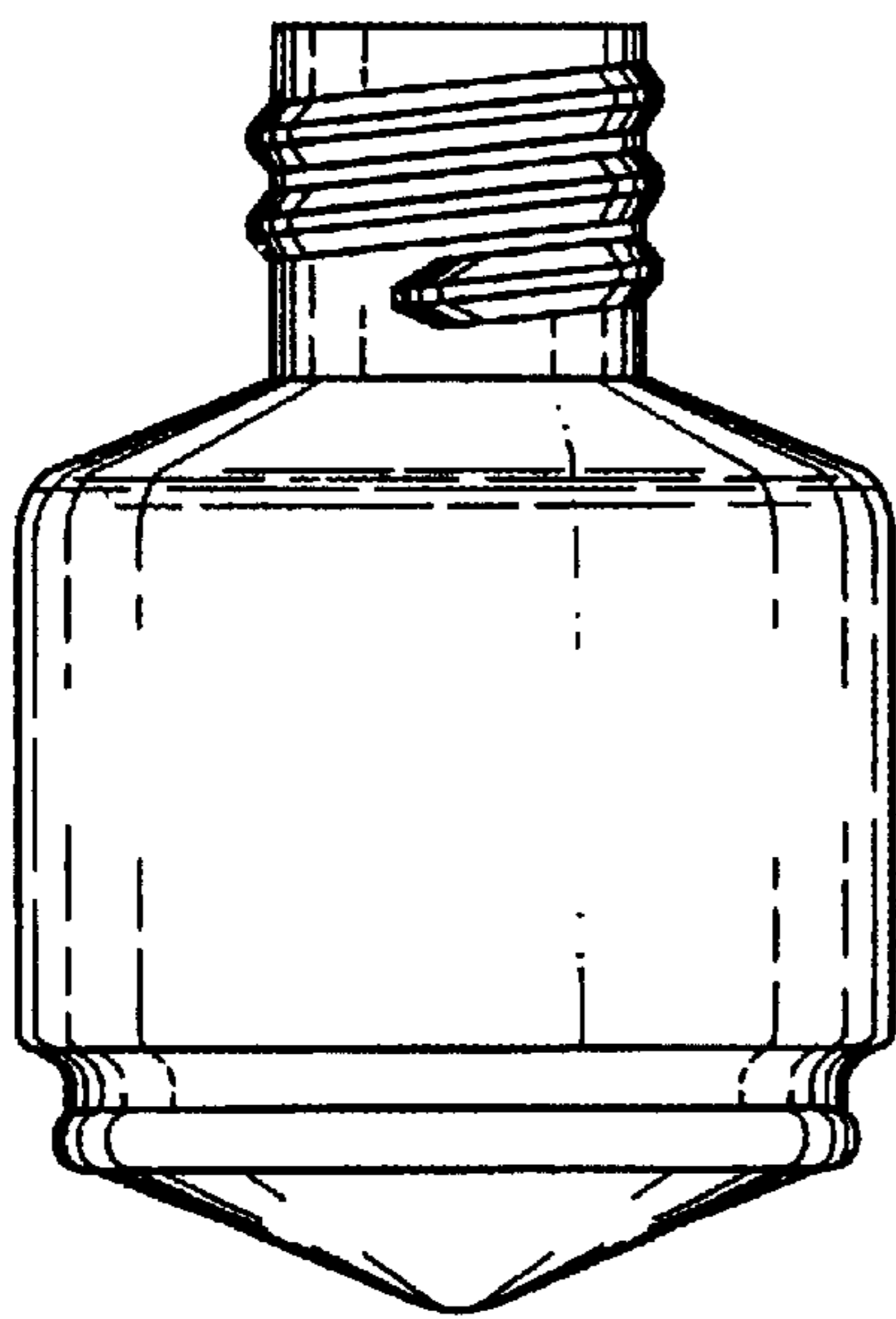


FIG. 5

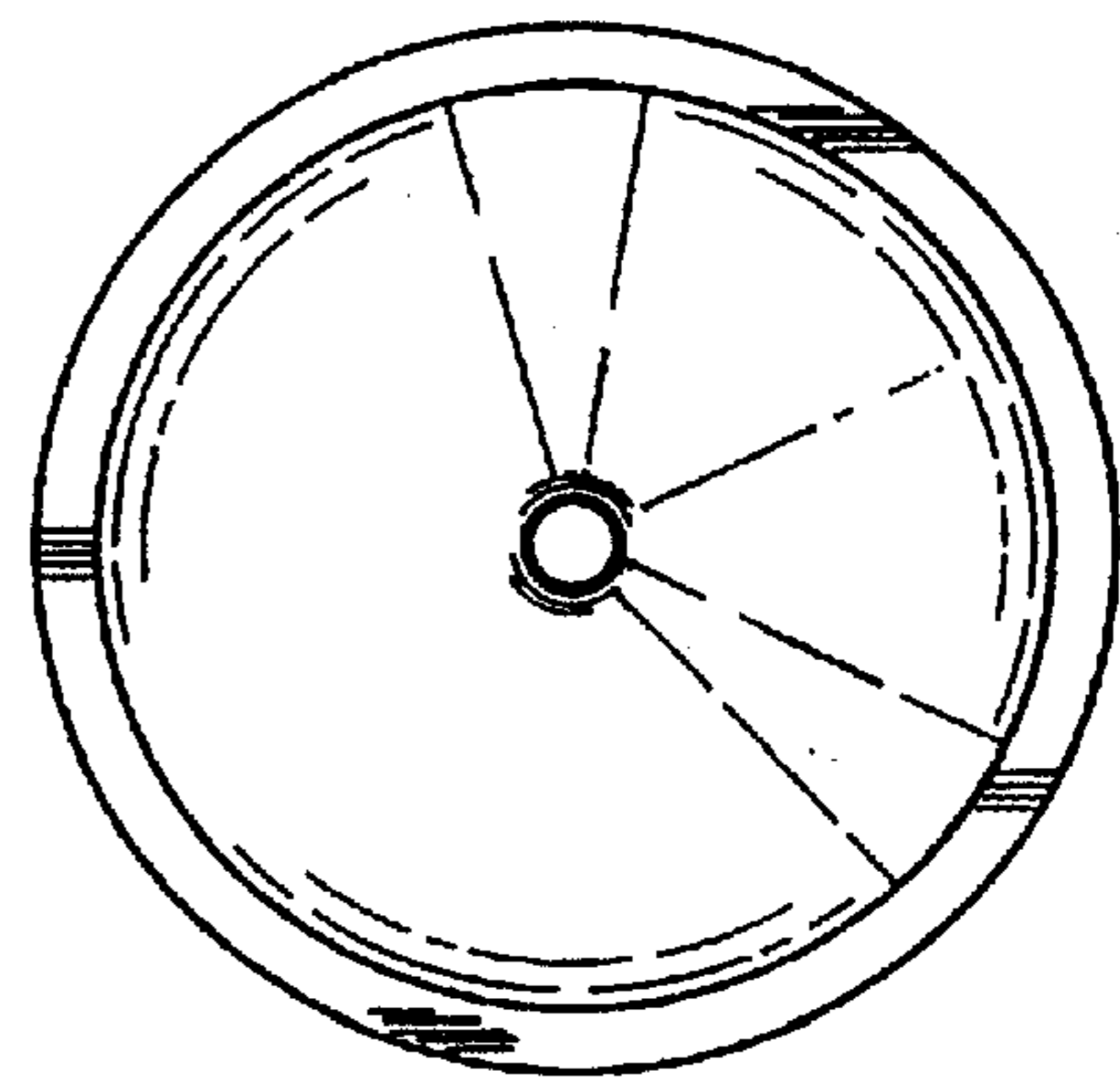


FIG. 7