



US00D447417B1

(12) **United States Design Patent**
Filho

(10) **Patent No.:** **US D447,417 S**

(45) **Date of Patent:** **** Sep. 4, 2001**

(54) **PACKAGING SUPPORT**

(75) **Inventor:** **Reynaldo Stamatis Filho, Sao Paulo (BR)**

(73) **Assignee:** **Unilever Home and Personal Care USA, Inc., division of Conopco, Inc., Greenwich, CT (US)**

(**) **Term:** **14 Years**

(21) **Appl. No.:** **29/117,095**

(22) **Filed:** **Jan. 18, 2000**

(30) **Foreign Application Priority Data**

Jul. 22, 1999 (BR) 5901228

(51) **LOC (7) Cl.** **09-07**

(52) **U.S. Cl.** **D9/455**

(58) **Field of Search** D9/435, 455, 415, D9/417, 418; D7/306, 397, 622, 619; 215/306, 397, 396, 398; 220/710.5, 737, 741

(56) **References Cited**

U.S. PATENT DOCUMENTS

- D. 211,321 * 6/1968 Ullmann D9/418
- D. 291,065 * 7/1987 Pugh D9/418
- D. 295,959 * 5/1988 Pugh D9/418

- D. 321,134 * 10/1991 Toinet D9/415
- D. 332,744 * 1/1993 McCooey D9/415
- D. 376,949 * 12/1996 Barriault et al. D7/306
- 3,151,792 * 10/1964 Garland 294/169
- 4,148,418 * 4/1979 Ewing et al. 220/741
- 4,889,376 * 12/1989 Nagy 220/741

* cited by examiner

Primary Examiner—Cathron C. Brooks

(74) *Attorney, Agent, or Firm*—Alan A. Bornstein

(57) **CLAIM**

The ornamental design for a packaging support, as shown and described.

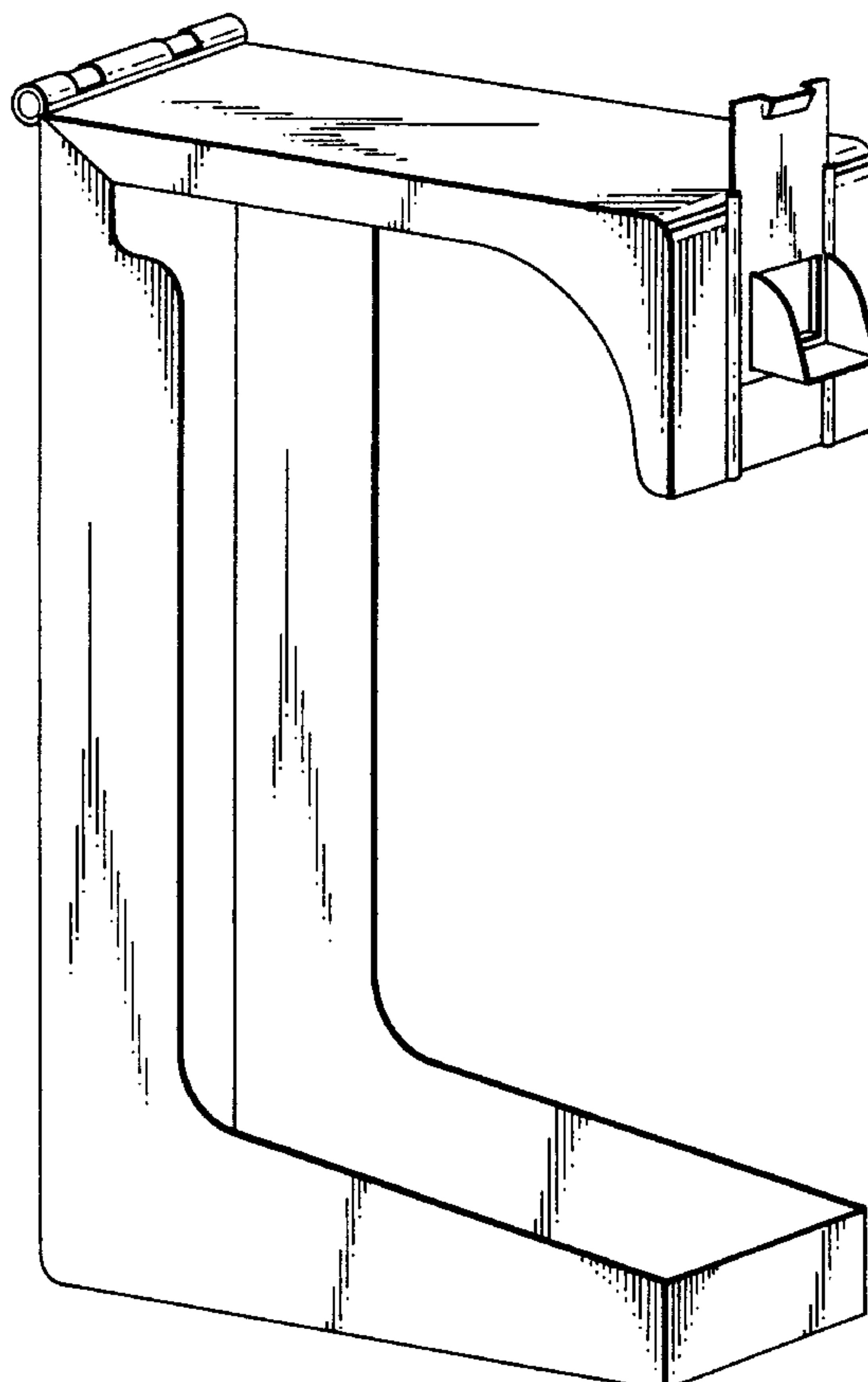
DESCRIPTION

FIG. 1 is a front perspective view of a packaging support. FIG. 2 is a side perspective view of the packaging support in FIG. 1.

FIG. 3 is a front perspective view of the packaging support in FIG. 1 with its outlet spout open; and, FIG. 4 is a front perspective view of the packaging support in FIG. 1 with its outlet spout closed.

The broken lines shown in FIG. 1 are representative of a package shown within the packaging support and form no part of the claimed design.

1 Claim, 4 Drawing Sheets



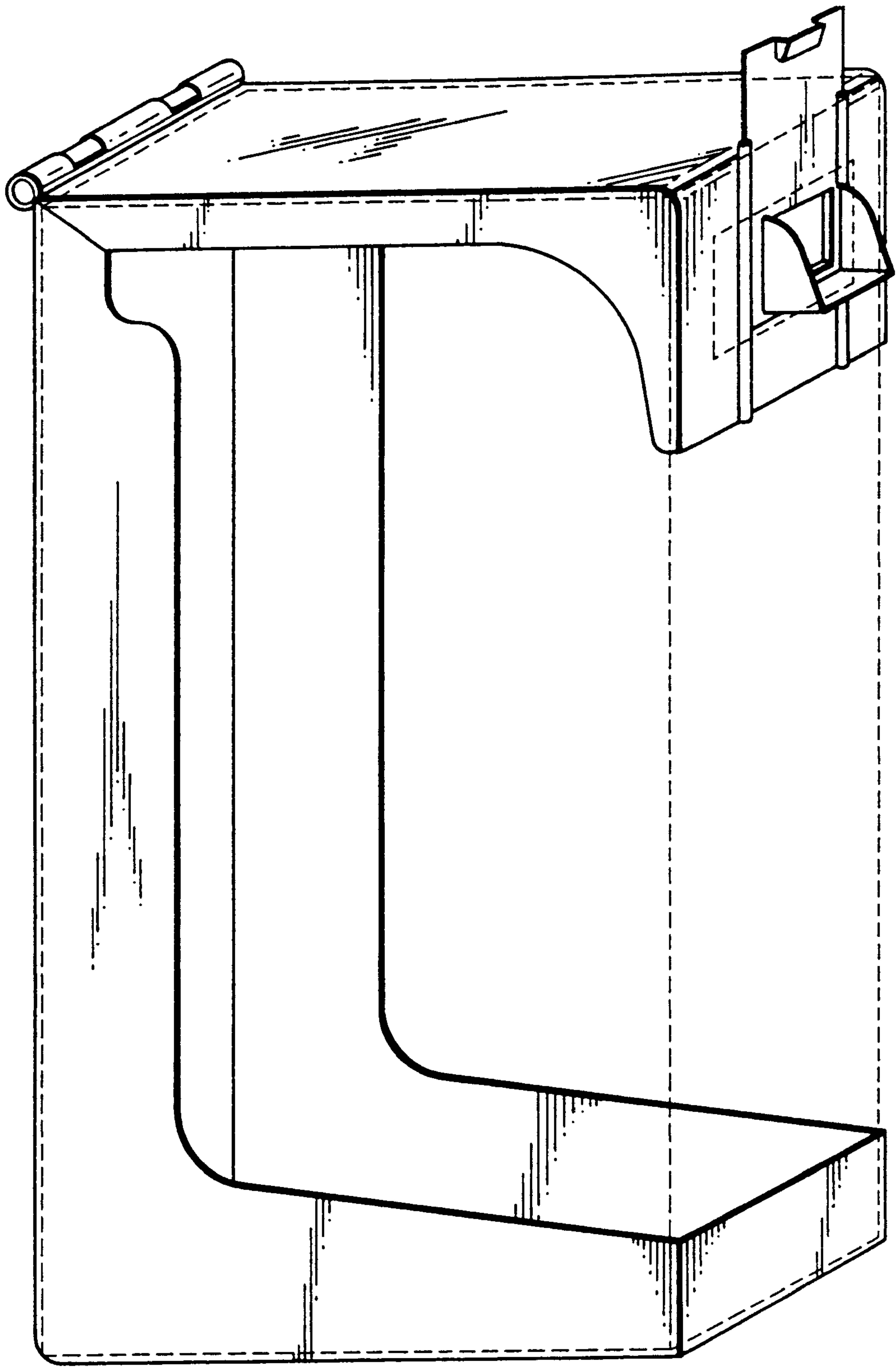


Fig. 1.

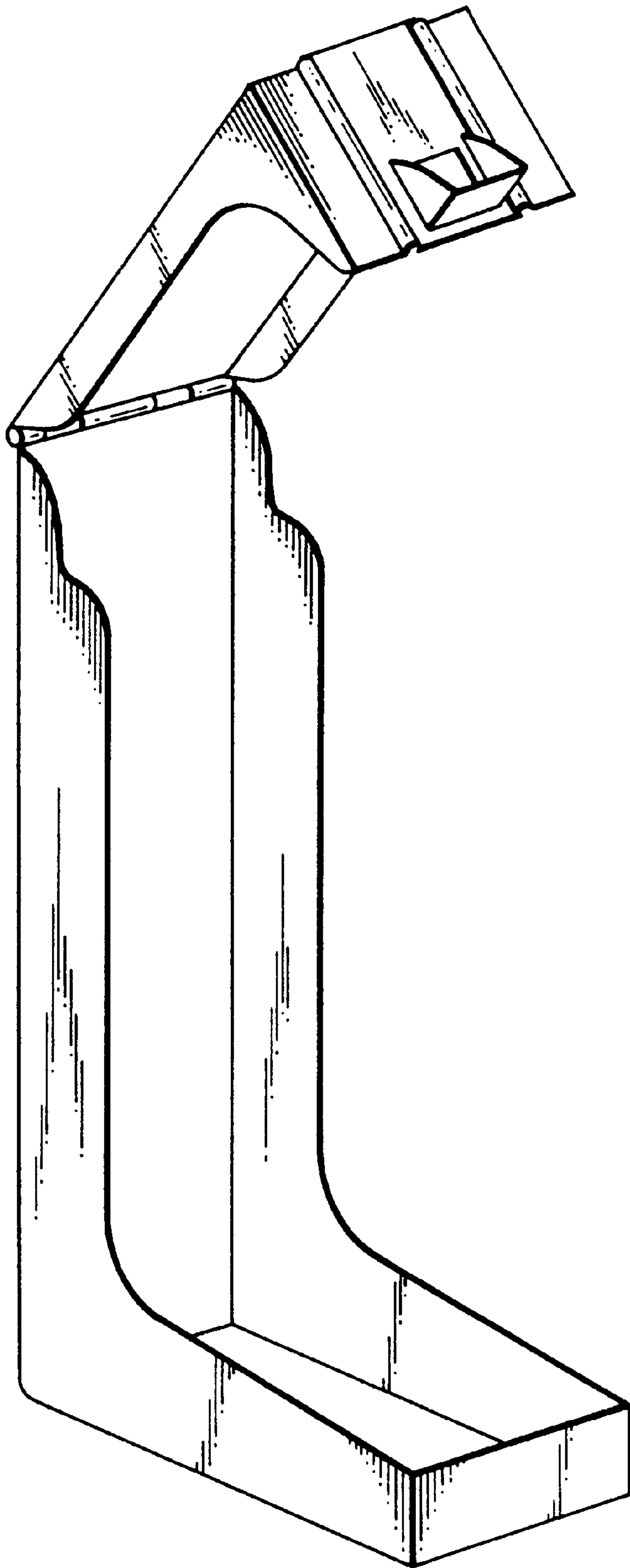


Fig.2.

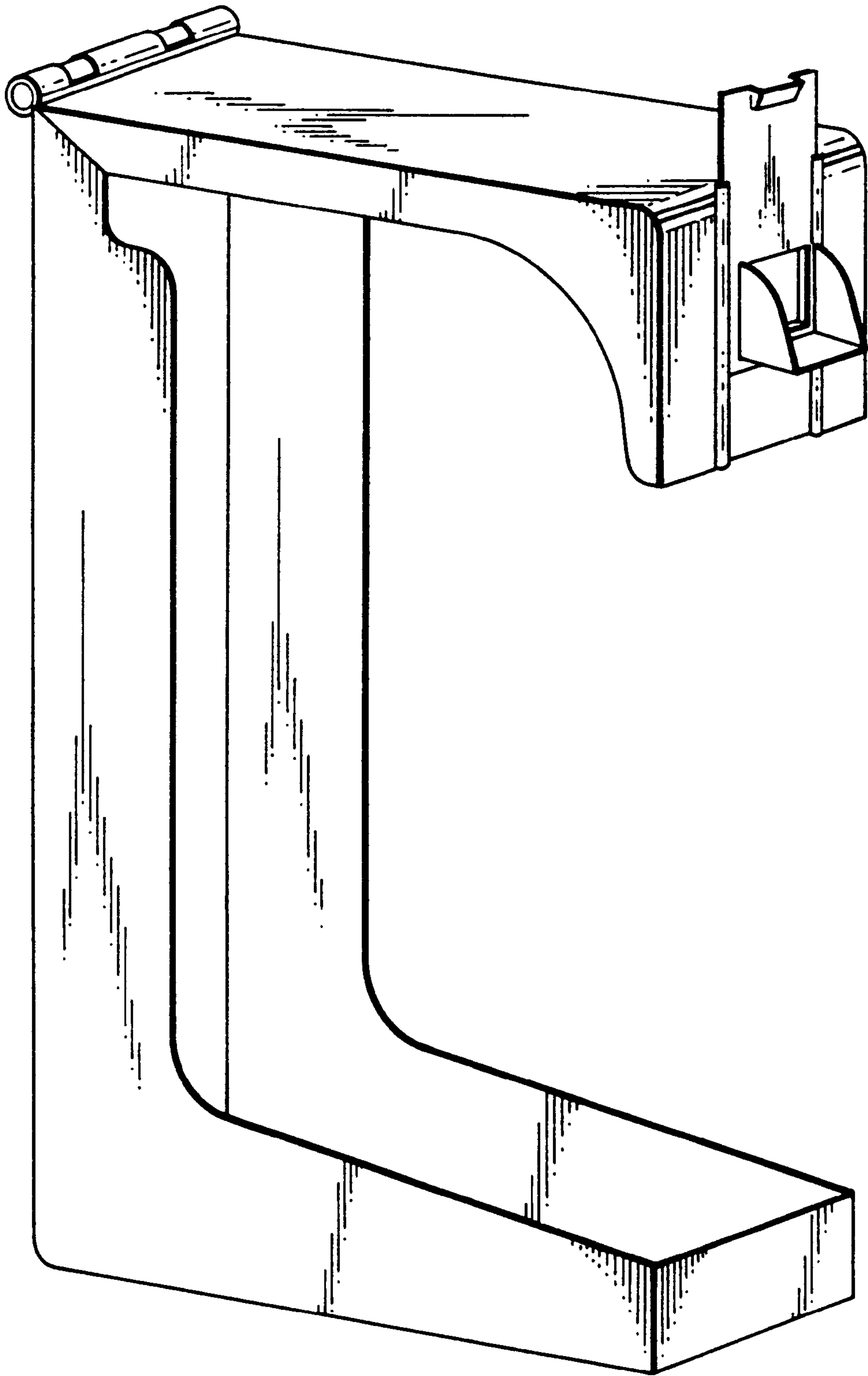


Fig.3.

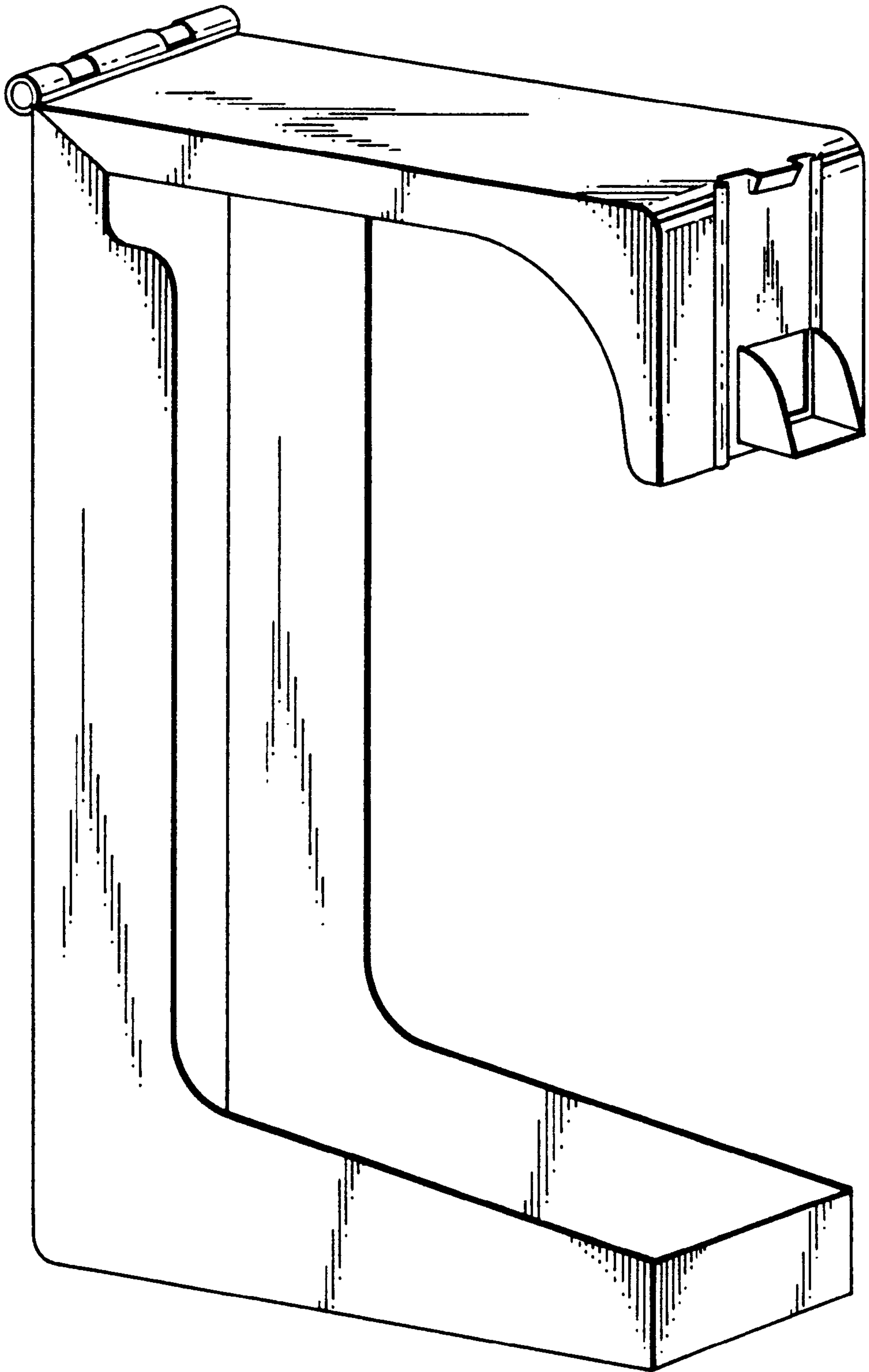


Fig.4.