



US00D447415B1

(12) **United States Design Patent**
Spengler

(10) **Patent No.:** **US D447,415 S**

(45) **Date of Patent:** **** Sep. 4, 2001**

(54) **TRIGGER SPRAYER**

(75) Inventor: **William J. Spengler**, Toledo, OH (US)

(73) Assignee: **Tolco Corporation**, Toledo, OH (US)

(**) Term: **14 Years**

(21) Appl. No.: **29/124,094**

(22) Filed: **May 31, 2000**

(51) **LOC (7) Cl.** **09-07**

(52) **U.S. Cl.** **D9/448**

(58) **Field of Search** D9/300, 447, 448,
D9/449, 450; 222/1, 153.11, 153.12, 153.13,
153.14, 383.1, 383.2, 383.3, 385

(56) **References Cited**

U.S. PATENT DOCUMENTS

D. 226,712	4/1973	Tada .	
D. 242,351 *	11/1976	Tada	D9/448 X
D. 347,788 *	6/1994	Steijns et al.	D9/300
D. 351,646 *	10/1994	Foster et al.	D23/226
D. 373,312 *	9/1996	Lin	D9/448
D. 373,313 *	9/1996	Lin	D9/448
3,701,478	10/1972	Tada .	
3,820,721 *	6/1974	Abedi	222/383.1 X
4,072,252	2/1978	Steyns et al. .	
4,361,256	11/1982	Corsette .	
4,618,077	10/1986	Corsette .	
5,603,434	2/1997	von Schuckmann .	
5,630,548	5/1997	Chih .	
5,738,251	4/1998	Schuckmann .	
5,752,626	5/1998	Bachand .	
5,857,591	1/1999	Bachand .	
6,053,372 *	4/2000	Abedi	222/383.1
6,116,472 *	9/2000	Wanbaugh et al.	222/383.1 X

OTHER PUBLICATIONS

Calmar Inc. Dispensing Systems literature regarding its MAGNUM 1300, undated.

The Afa corporation—Price list for the Janitorial Supply Market, showing Models 5910BA, 7600BA, 7210BA and 5912BA, Jan. 1, 1982—which shows the previously submitted copy of a photograph of Afa Corporation's Model 5912BA Trigger Sprayer with foaming nozzle.

Catalog page from an IMPACT catalog, p. 24, Dispensing Equipment, Trigger Sprayers, undated.

Catalog page from an IMPACT catalog, p. 25, Trigger Sprayers, undated.

* cited by examiner

Primary Examiner—Cathron C. Brooks

(74) *Attorney, Agent, or Firm*—Emch, Schaffer, Schaub & Porcello Co., L.P.A.

(57) **CLAIM**

The ornamental design for a trigger sprayer, as shown and described.

DESCRIPTION

FIG. 1 is a right side elevational view of the present design, the left side being a mirror image of the right side;

FIG. 2 is a top view thereof;

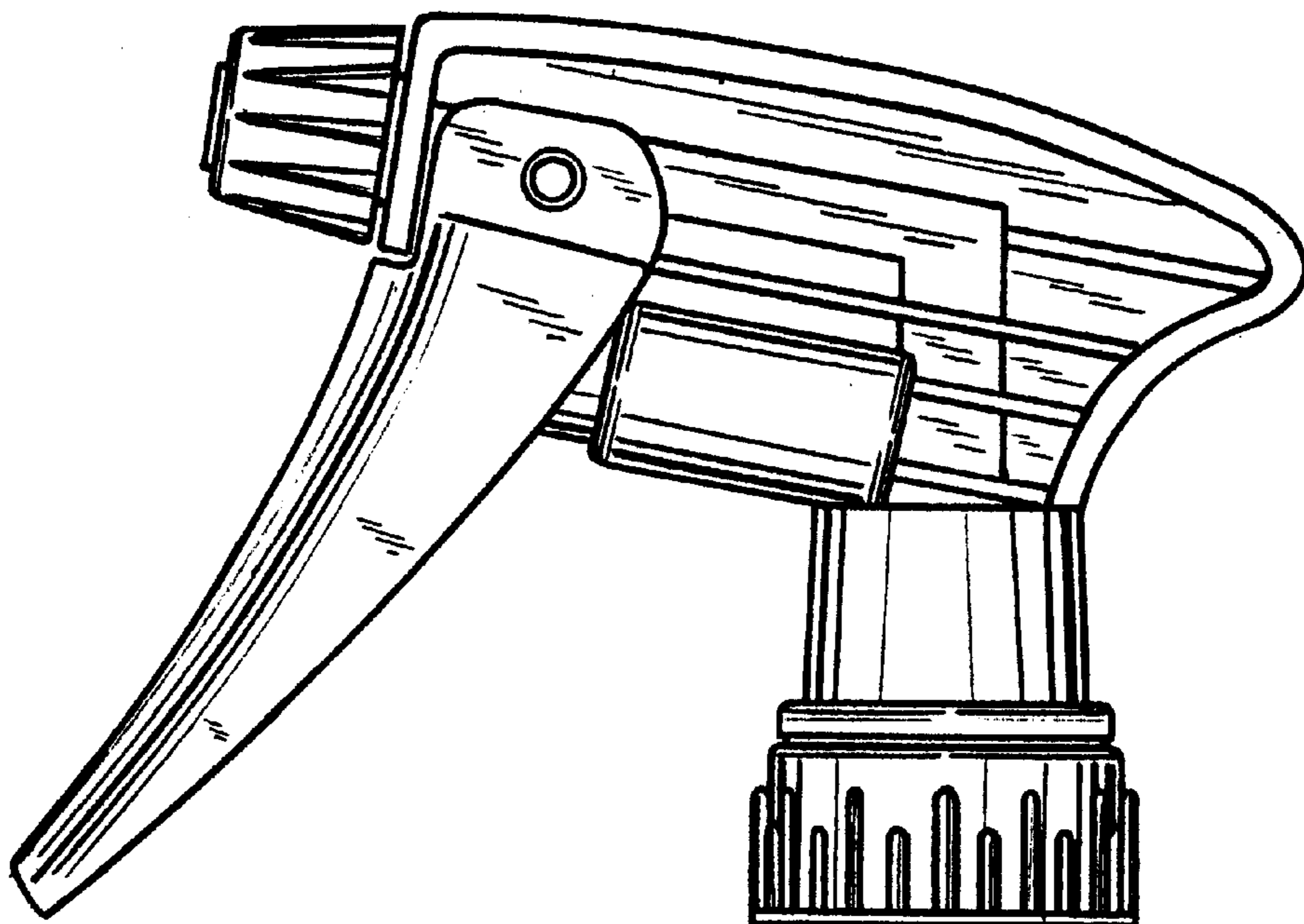
FIG. 3 is a rear elevational view;

FIG. 4 is a front elevational view;

FIG. 5 is a right side elevational view of the second embodiment of the present design, the left side being a mirror image of the right side; and,

FIG. 6 is a right side elevational view of the third embodiment of the present design, the left side being a mirror image of the right side.

1 Claim, 4 Drawing Sheets



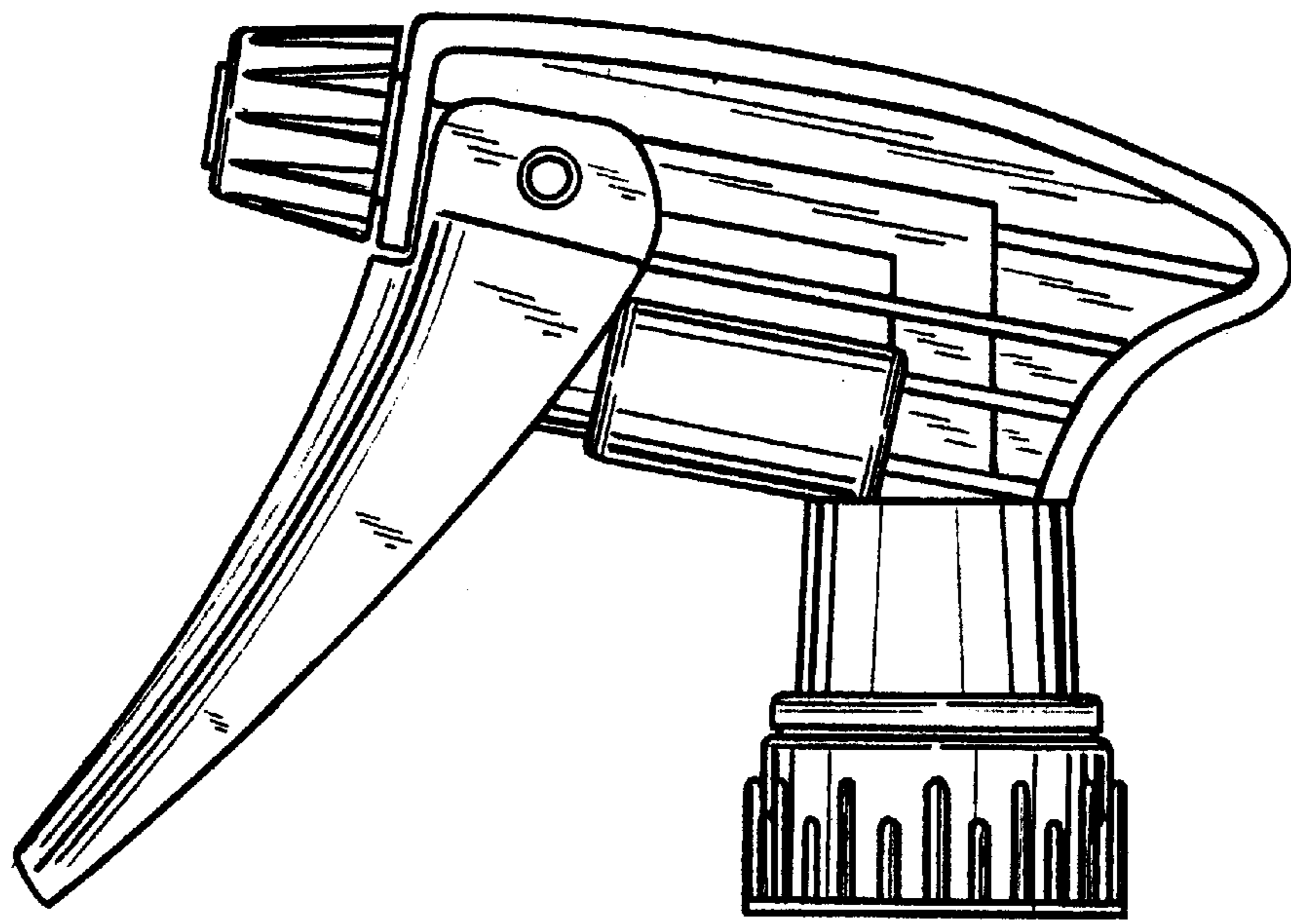


FIG. 1

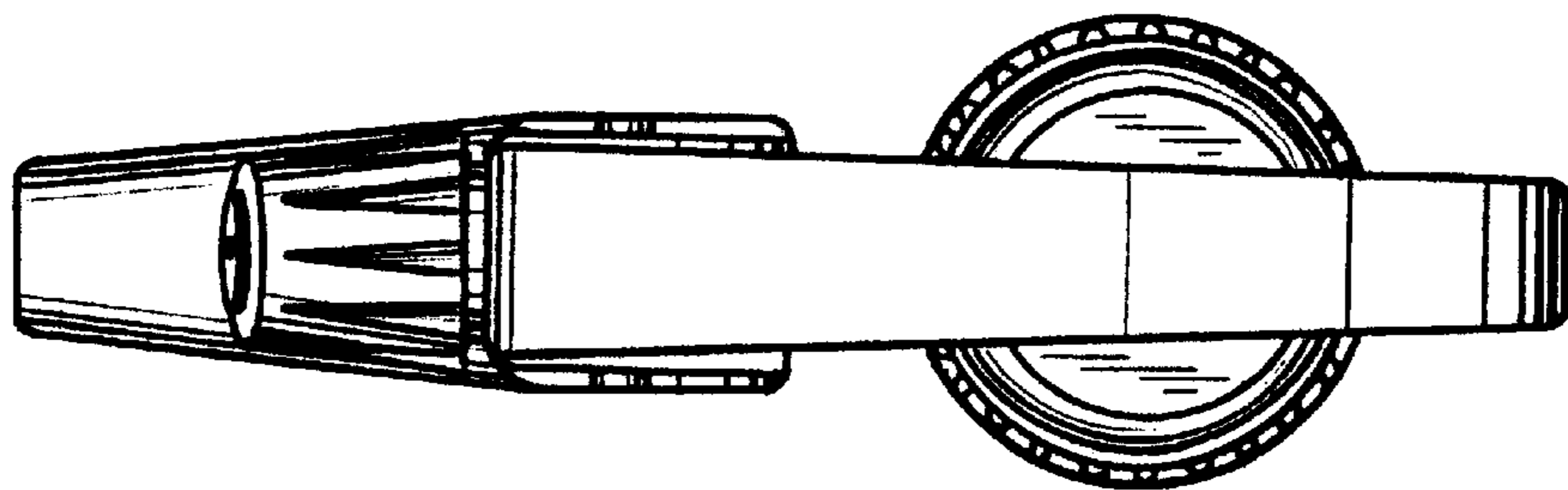


FIG. 2

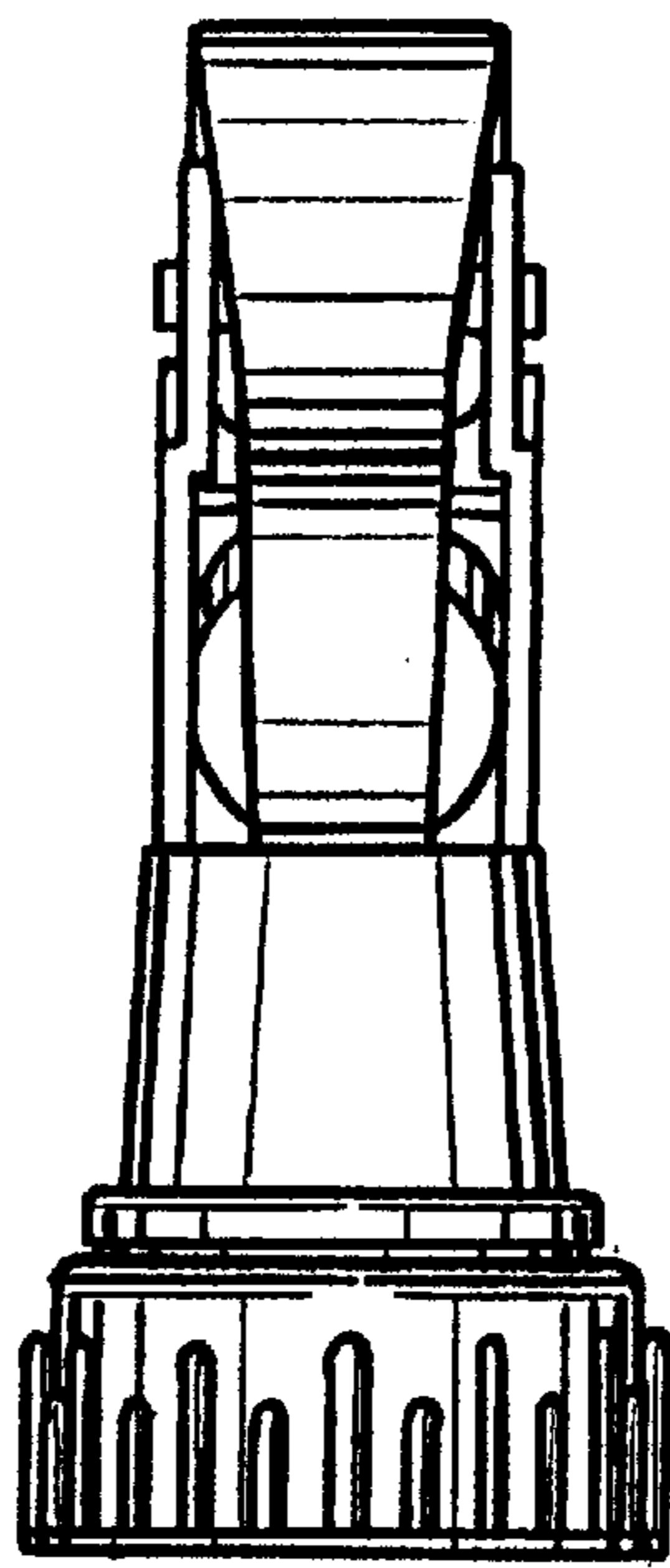


FIG. 3

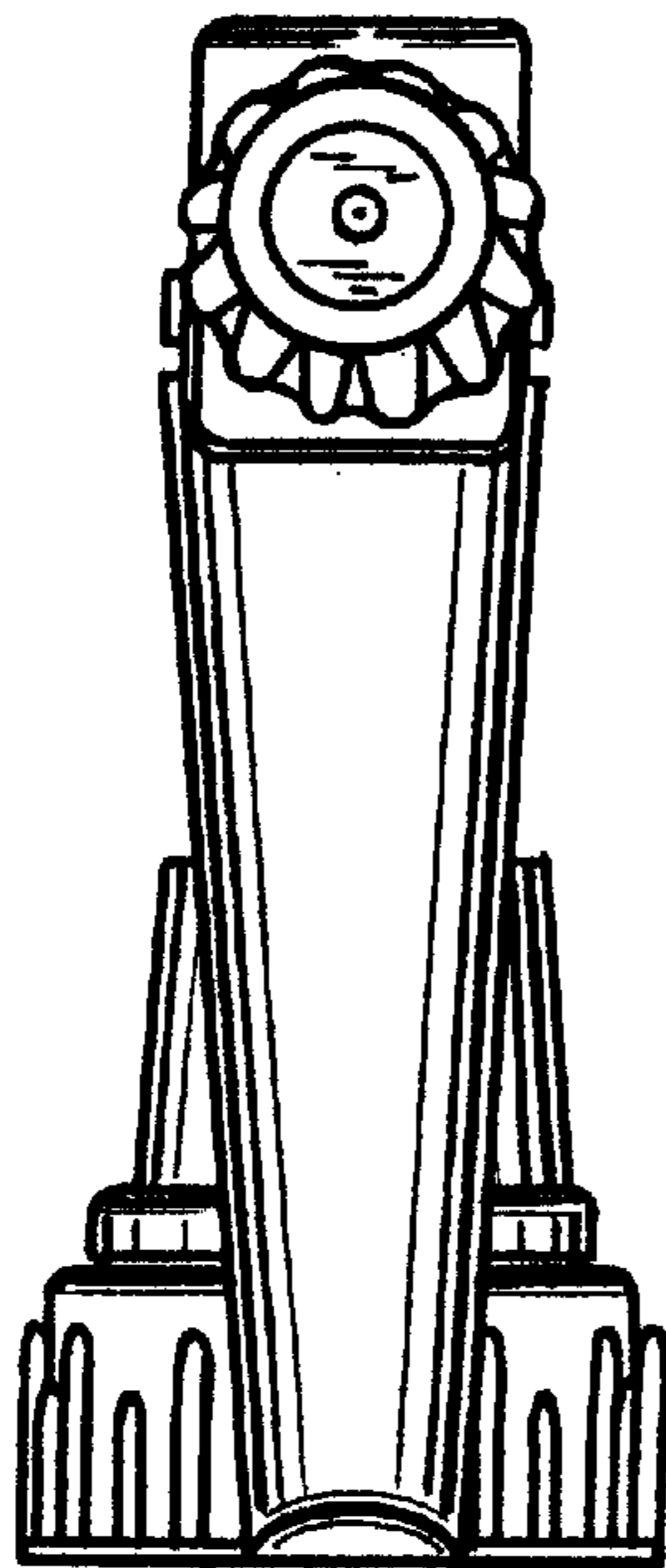


FIG. 4

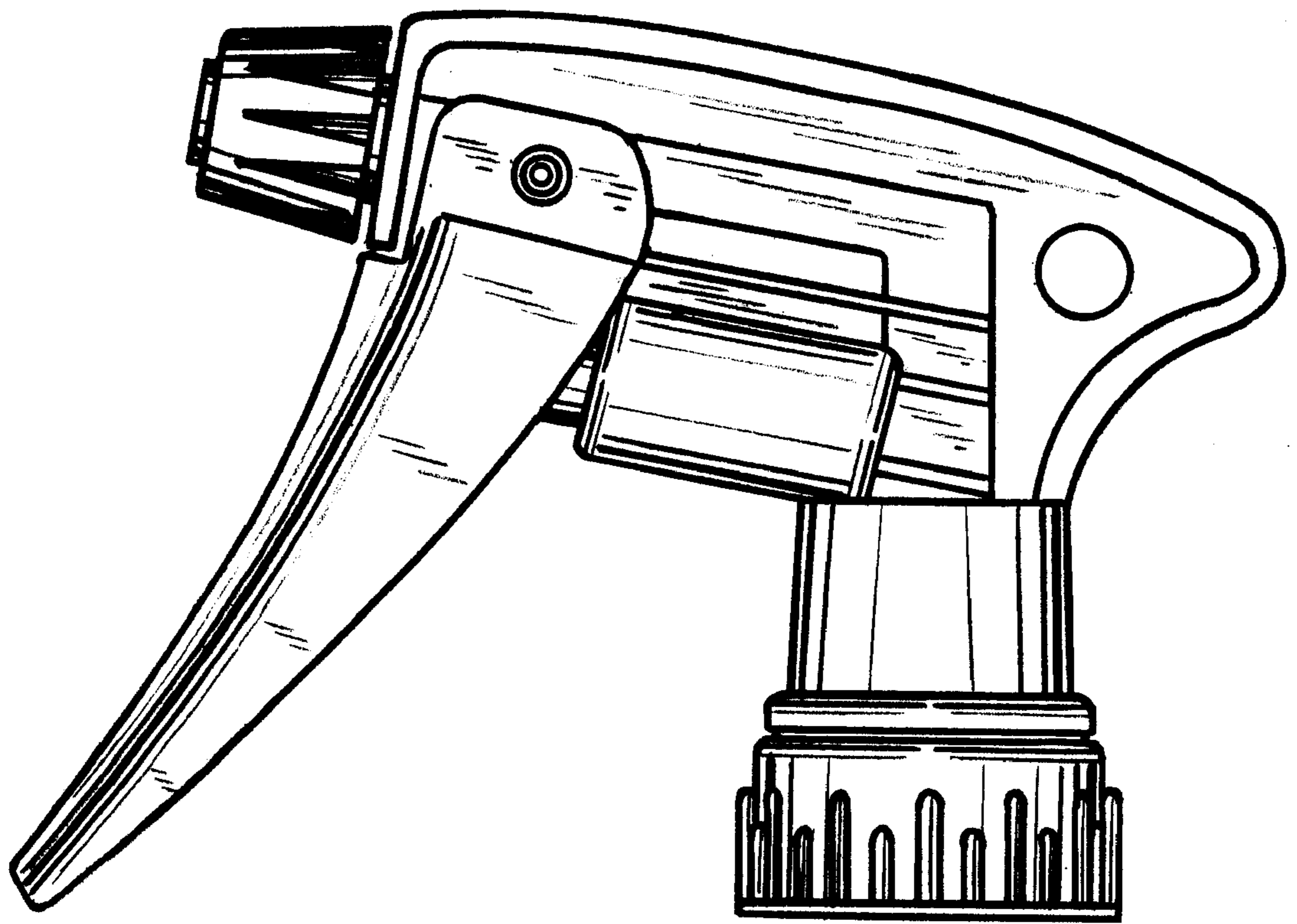


FIG. 5

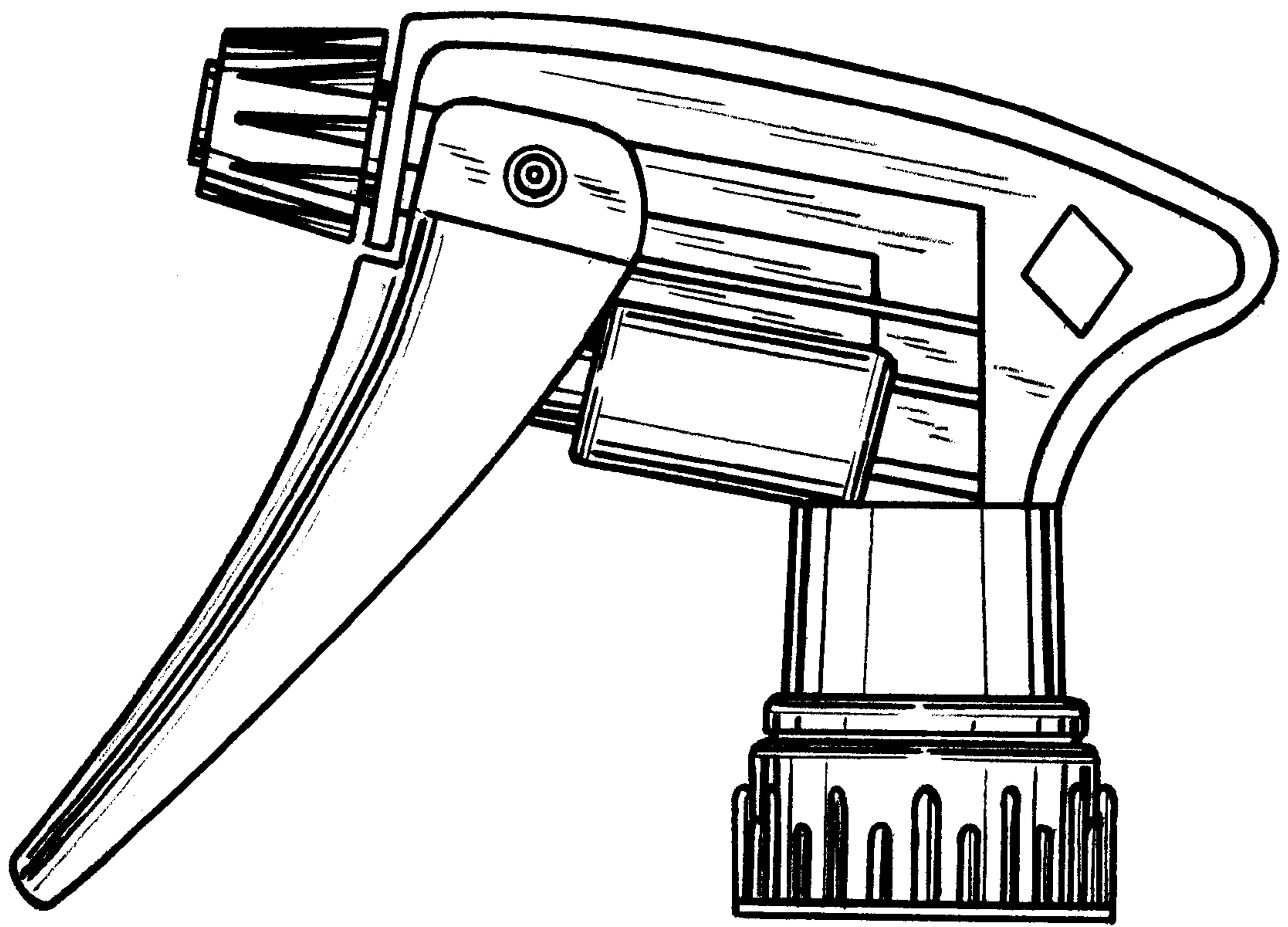


FIG. 6