



US00D447414B1

(12) **United States Design Patent**
Chastine et al.

(10) **Patent No.:** **US D447,414 S**

(45) **Date of Patent:** **** Sep. 4, 2001**

(54) **NOZZLE FOR DISPENSING ADHESIVES AND SEALANTS**

D. 309,755 * 8/1990 Halm D19/66
D. 328,943 * 8/1992 Iwasaki et al. D23/213
6,196,746 * 3/2001 Onischuk 401/261

(75) Inventors: **Christopher R. Chastine**, Bethlehem;
Charles P. Ganzer, Cumming, both of
GA (US)

* cited by examiner

Primary Examiner—Cathron C. Brooks

(73) Assignee: **Nordson Corporation**, Westlake, OH
(US)

(74) *Attorney, Agent, or Firm*—Raymond J. Slattery, III

(**) Term: **14 Years**

(57) **CLAIM**

The ornamental design for a nozzle for dispensing adhesives and sealants, as shown and described.

(21) Appl. No.: **29/131,997**

DESCRIPTION

(22) Filed: **Oct. 31, 2000**

(51) **LOC (7) Cl.** **09-07**

(52) **U.S. Cl.** **D9/447**

(58) **Field of Search** D9/338, 447; D8/14.1;
D19/66; 401/261, 265, 137

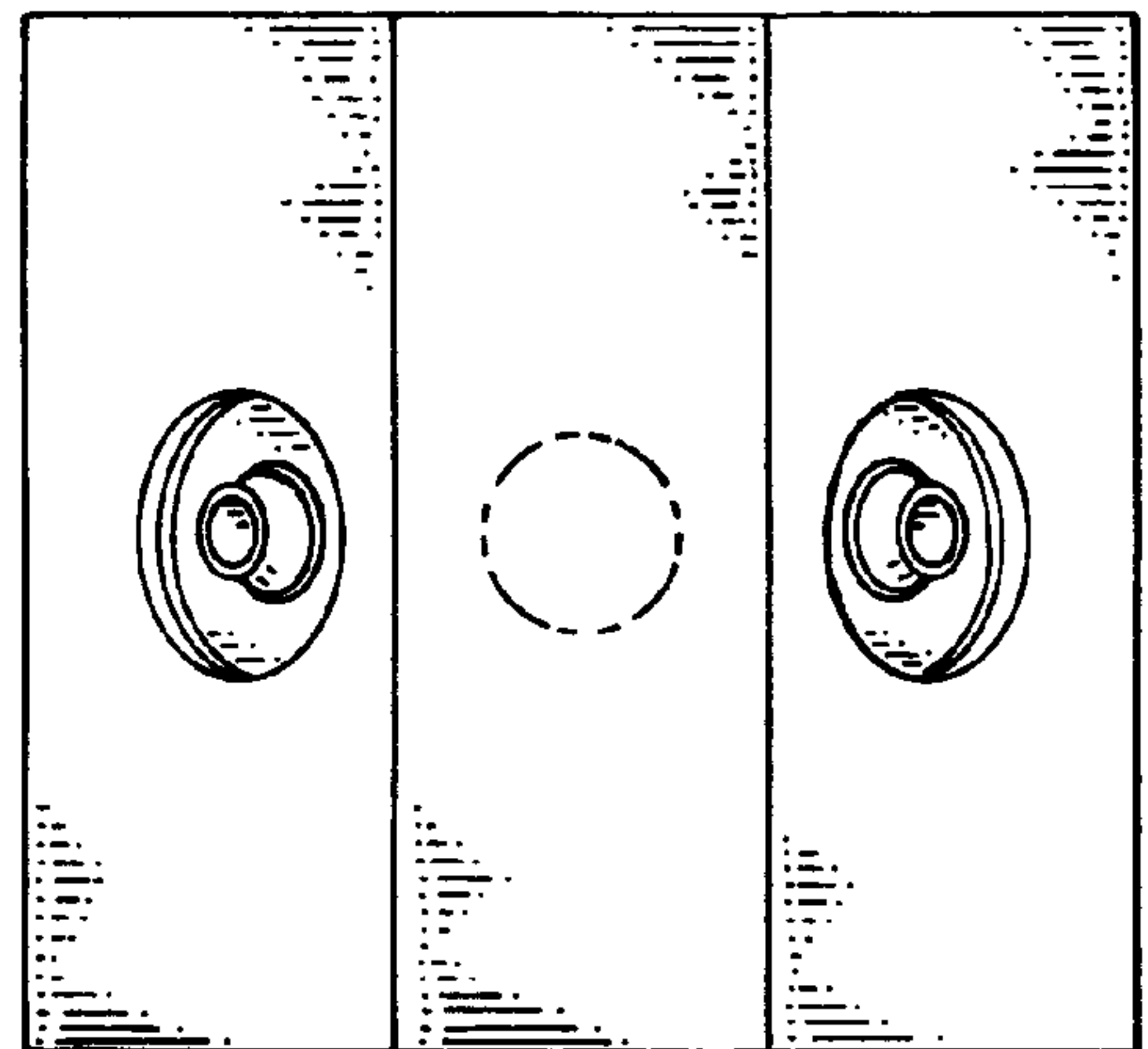
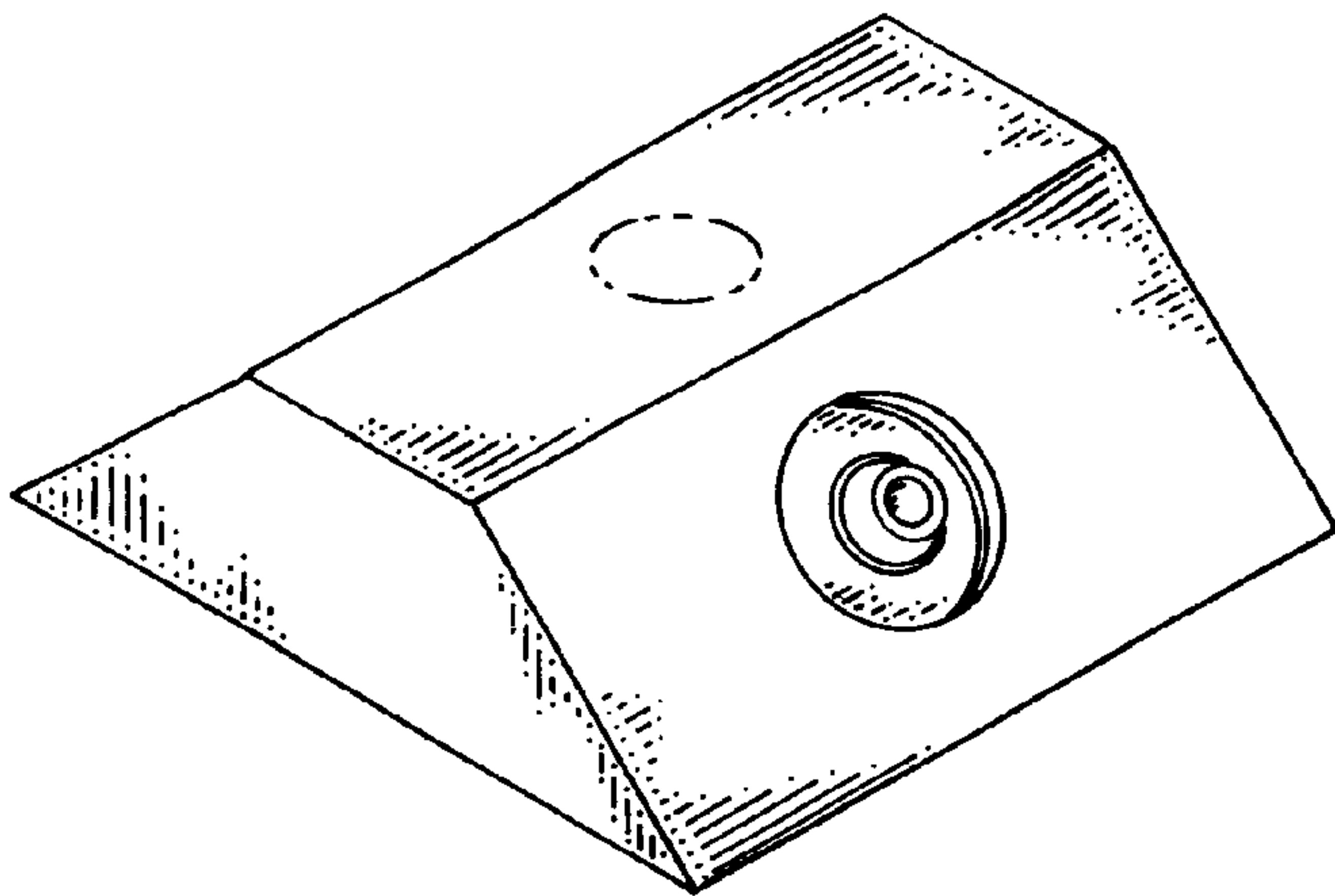
FIG. 1 is a perspective view of the new design for a nozzle for dispensing adhesives and sealants;
FIG. 2 is a front elevational view of the nozzle of FIG. 1 wherein the rear view of the nozzle is the same;
FIG. 3 is a top plan view of the nozzle of FIG. 1;
FIG. 4 is a right side elevational view of the nozzle, the left side elevational view being the same; and,
FIG. 5 is a bottom plan view of the nozzle of FIG. 1.
The broken lines shown in the drawings are for illustrative purposes only and form no part of the claimed design.

(56) **References Cited**

U.S. PATENT DOCUMENTS

D. 167,527 * 8/1952 Neufeld D23/213
D. 210,768 * 4/1968 Ryan D9/448
D. 251,953 * 5/1979 VanHorne D9/447

1 Claim, 1 Drawing Sheet



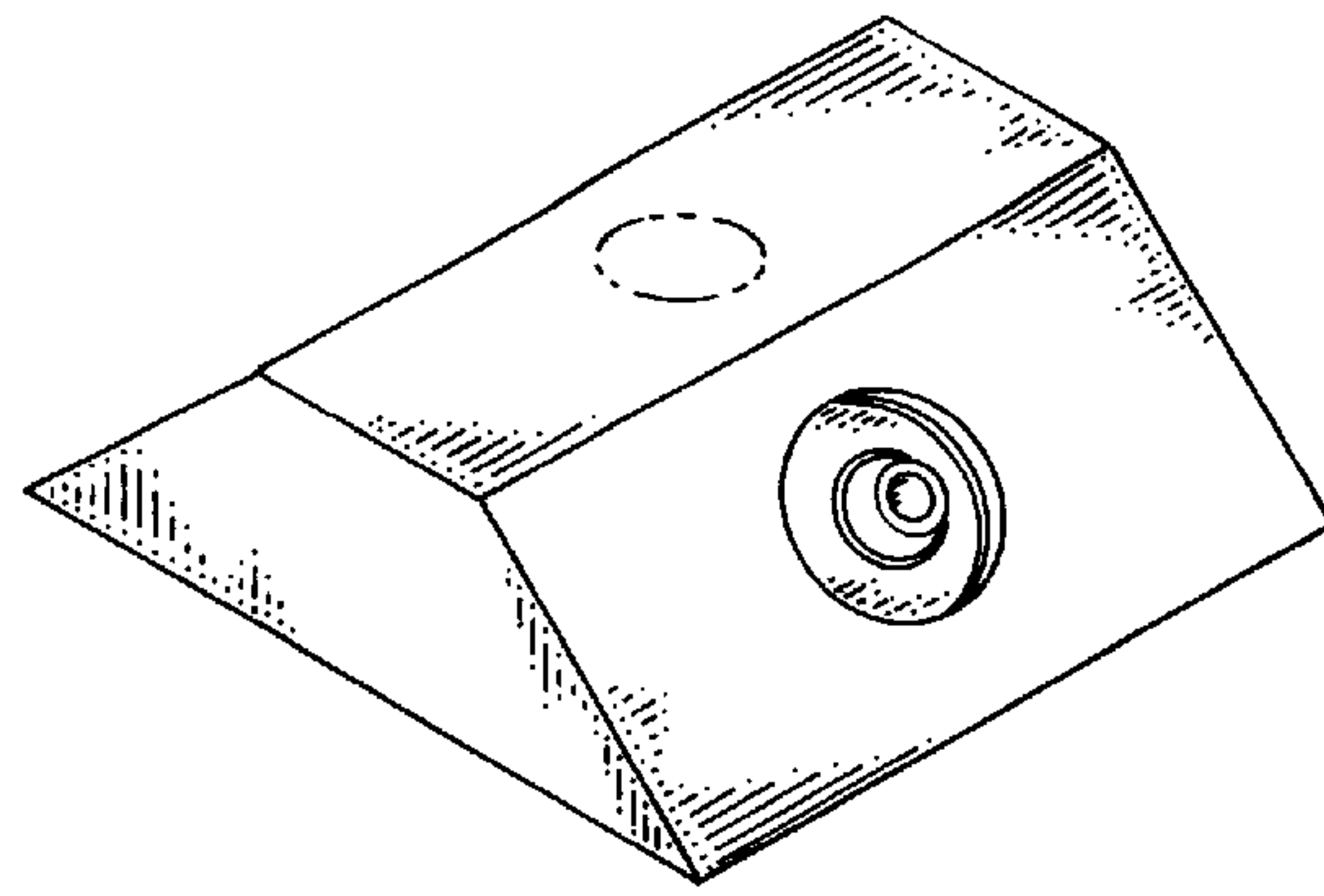


FIG. - 1

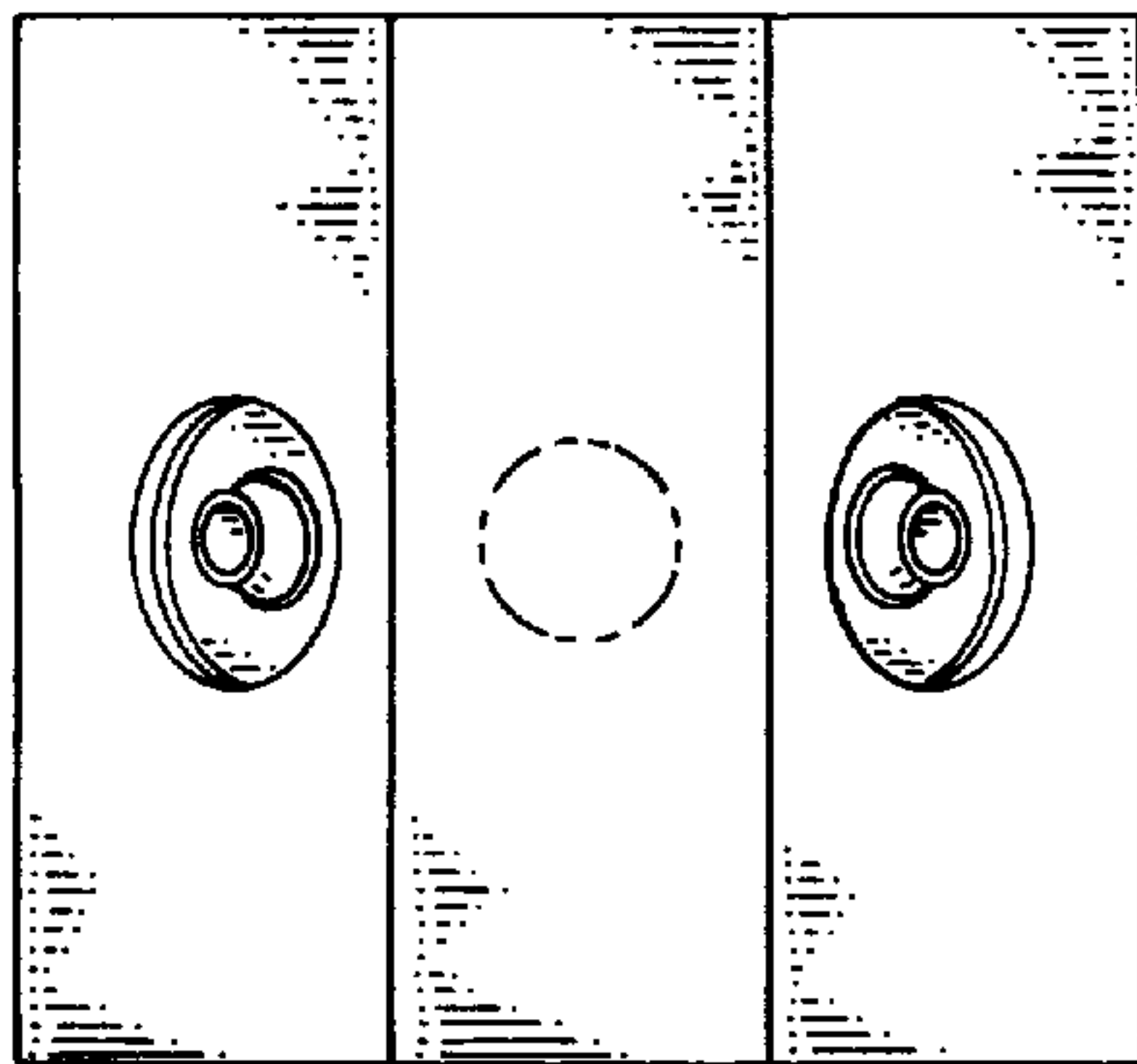


FIG. - 3

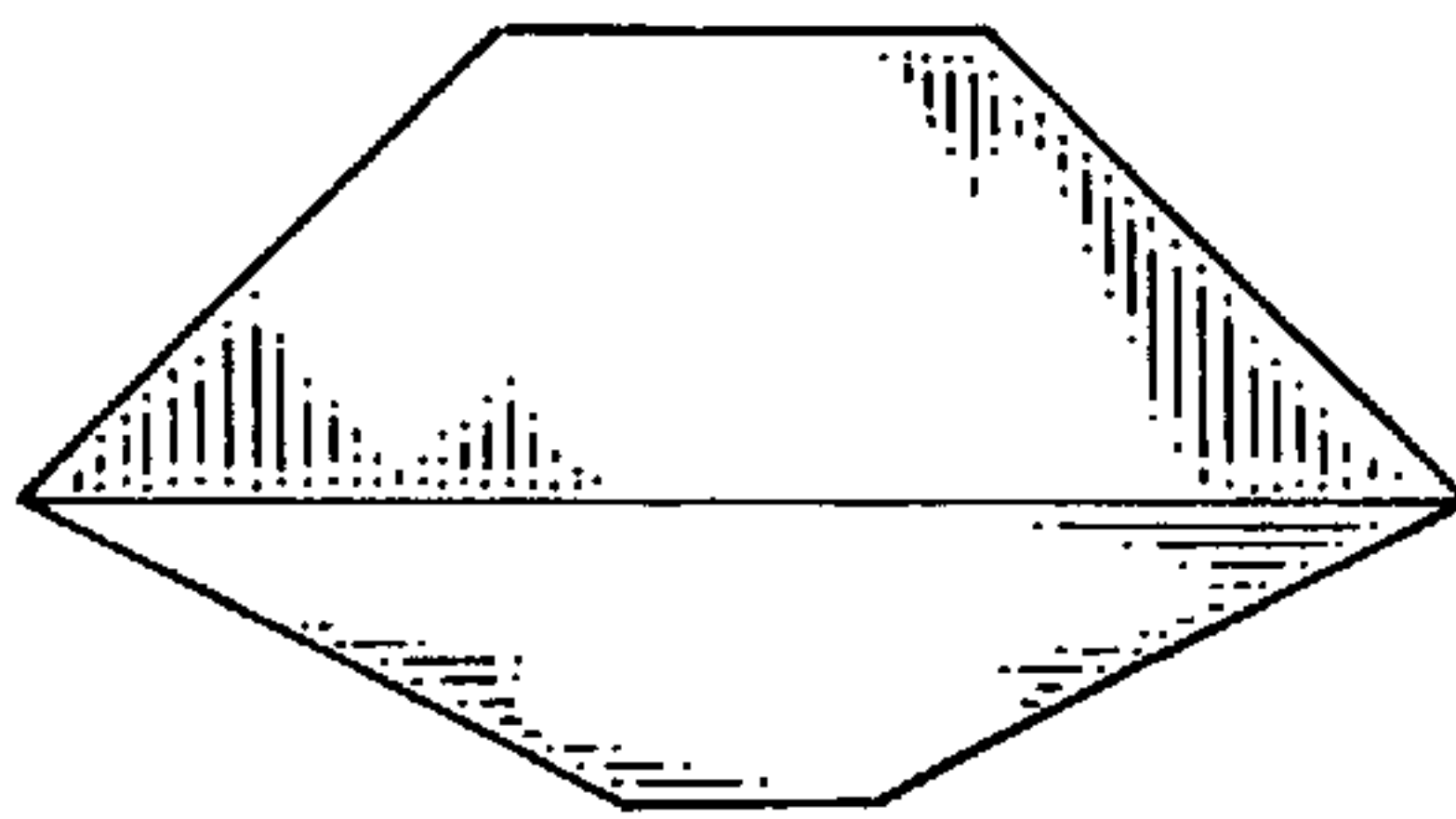


FIG. - 2

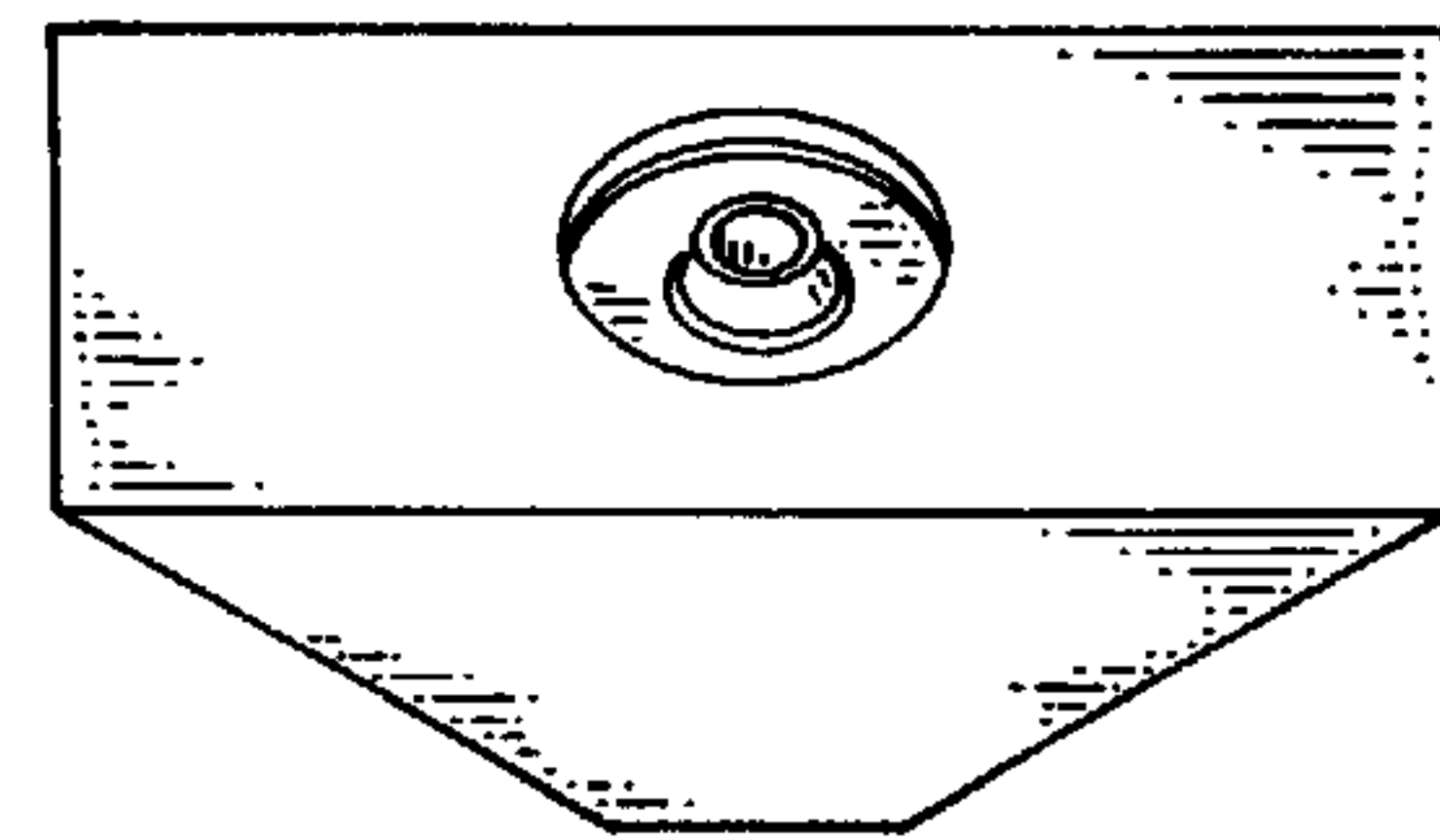


FIG. - 4

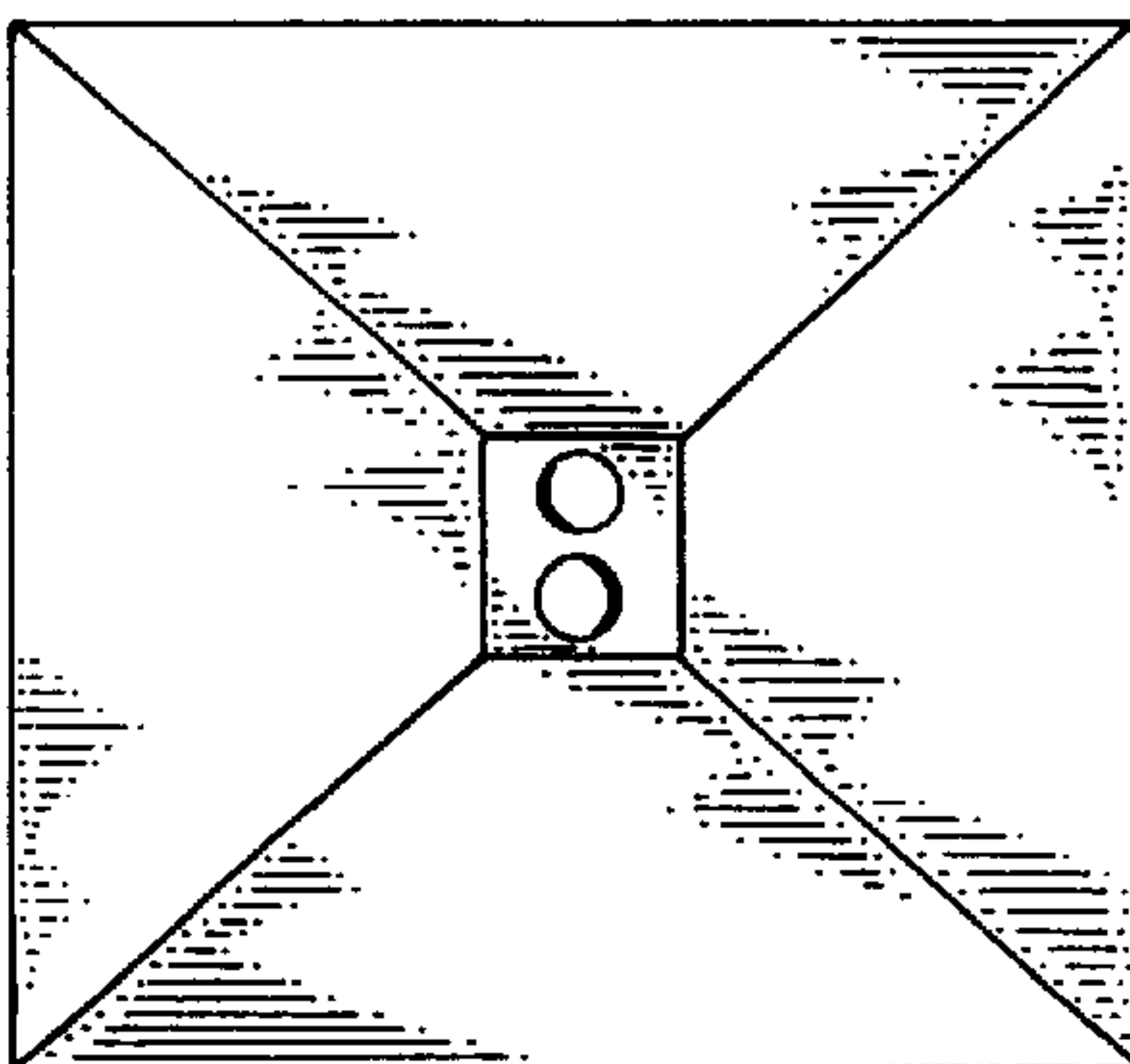


FIG. - 5