



US00D447410B1

(12) **United States Design Patent**
Malmborg

(10) **Patent No.:** **US D447,410 S**

(45) **Date of Patent:** **** Sep. 4, 2001**

(54) **PART OF A SEALING DEVICE FOR A BOTTLE**

(75) **Inventor:** **Bengt Malmborg, Kågeröd (SE)**

(73) **Assignee:** **Modulpac AB, Lagan (SE)**

(**) **Term:** **14 Years**

(21) **Appl. No.:** **29/127,668**

(22) **Filed:** **Aug. 11, 2000**

(30) **Foreign Application Priority Data**

Feb. 11, 2000 (SE) 00-0271

(51) **LOC (7) Cl.** **09-07**

(52) **U.S. Cl.** **D9/434; D9/447**

(58) **Field of Search** D9/434, 435, 439,
D9/440, 447, 300; 222/460, 461, 566-571

(56) **References Cited**

U.S. PATENT DOCUMENTS

D. 204,103 * 3/1966 Lydon D9/447

- D. 250,692 * 1/1979 Bond et al. D9/447
- D. 259,704 * 6/1981 Castronovo D9/447
- D. 286,027 * 10/1986 Waher et al. D9/435
- D. 396,006 * 7/1998 Harris D9/447
- D. 396,007 * 7/1998 Palestrant D9/447

* cited by examiner

Primary Examiner—Cathron C. Brooks

(57) **CLAIM**

The ornamental design for a part of a sealing device for a bottle, as shown and described.

DESCRIPTION

FIG. 1 is a top perspective view of a part of a sealing device for a bottle showing my new design;

FIG. 2 is a bottom perspective view thereof;

FIG. 3 is a side elevational view thereof; and,

FIG. 4 is a top plan view thereof.

1 Claim, 4 Drawing Sheets

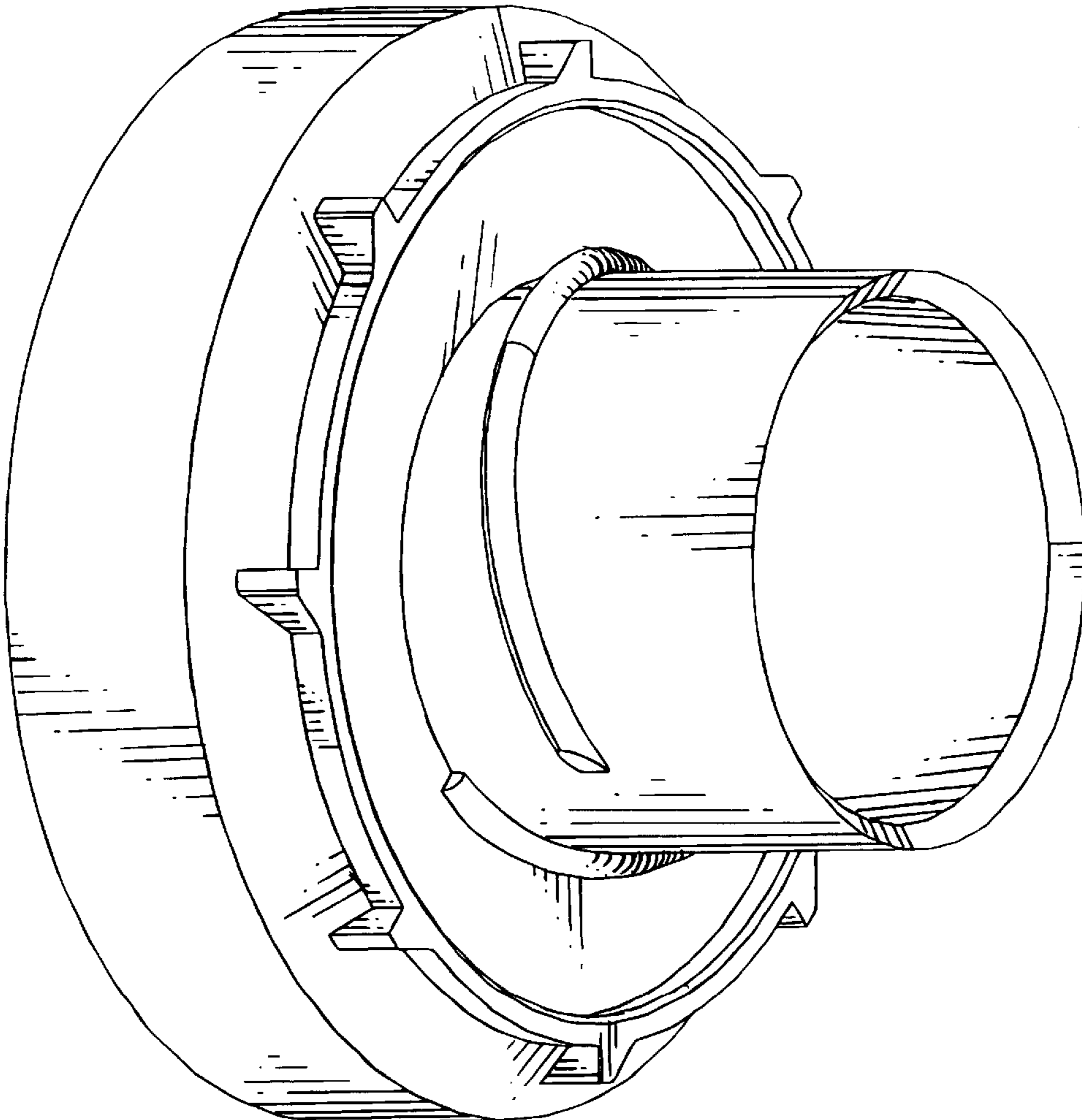


Fig. 1

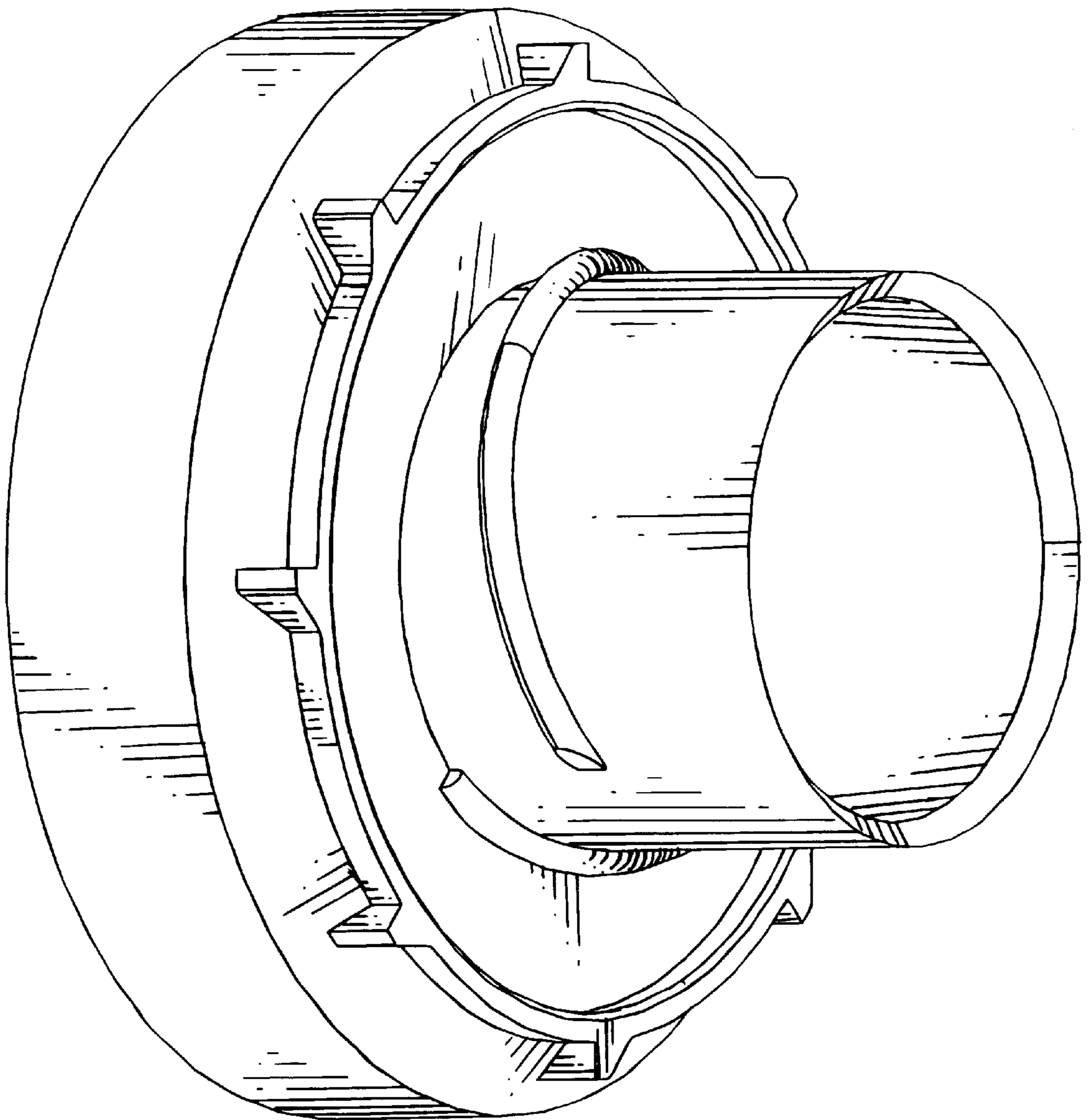


Fig. 2

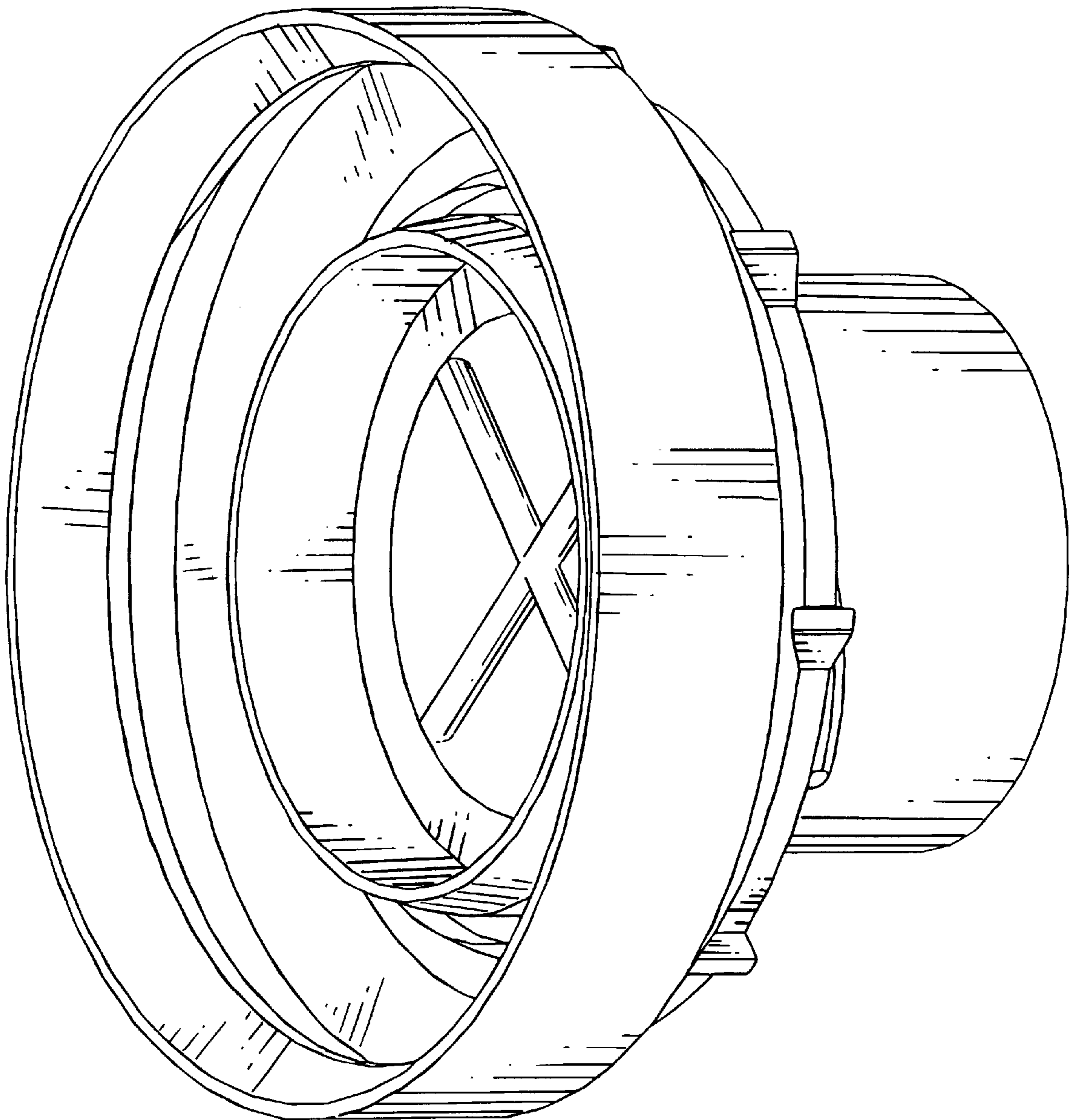


Fig. 3

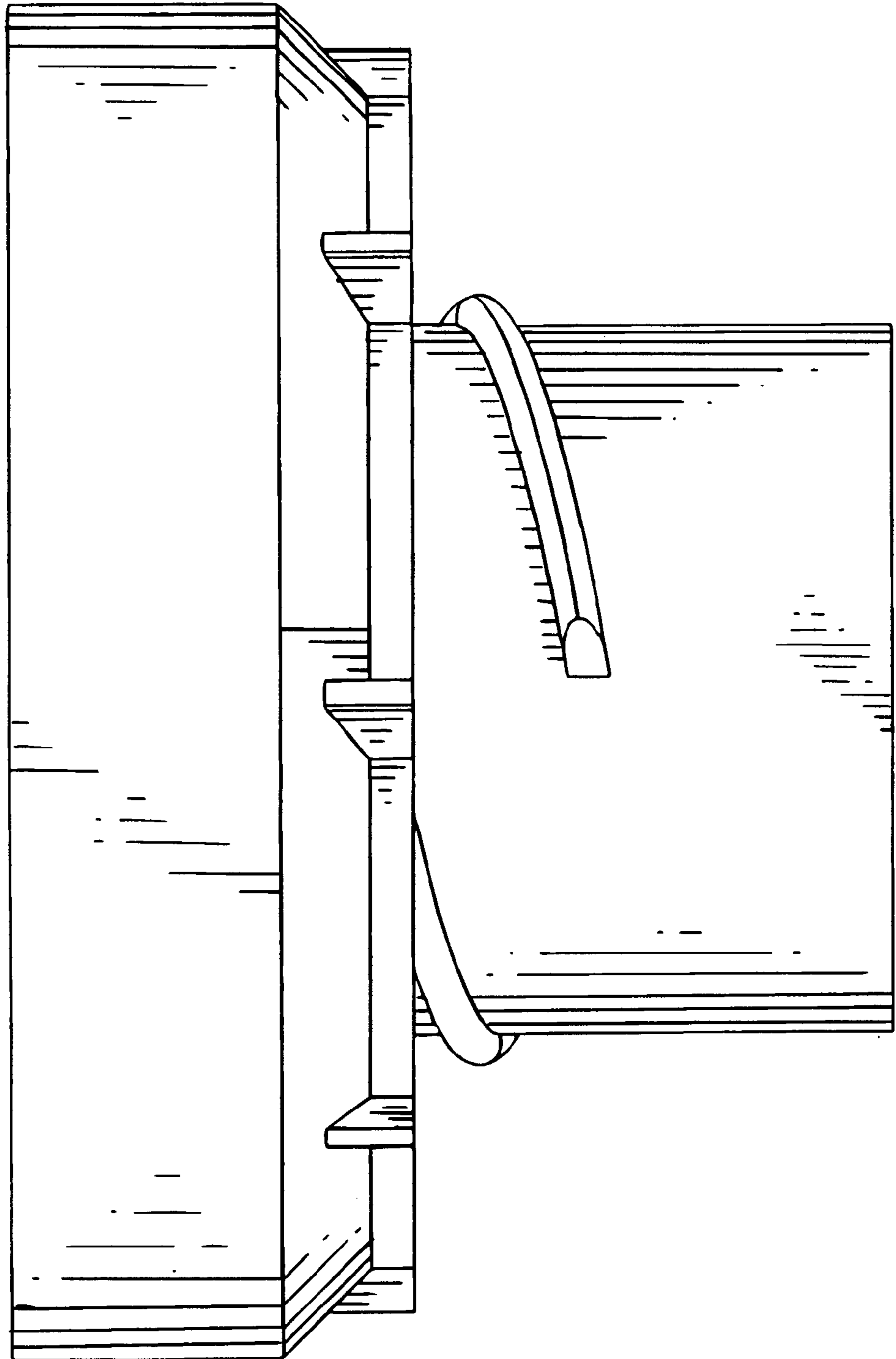


Fig. 4

