



US00D447407B1

(12) **United States Design Patent**  
**Humphrey**

(10) **Patent No.:** **US D447,407 S**

(45) **Date of Patent:** **\*\* Sep. 4, 2001**

(54) **PACKAGE**

(75) **Inventor:** **Neill W. Humphrey**, El Dorado Hills, CA (US)

(73) **Assignee:** **Trade Source International**, El Dorado Hills, CA (US)

(\*\*) **Term:** **14 Years**

(21) **Appl. No.:** **29/133,223**

(22) **Filed:** **Nov. 21, 2000**

(51) **LOC (7) Cl.** ..... **09-03**

(52) **U.S. Cl.** ..... **D9/415**

(58) **Field of Search** ..... D9/415, 418, 337, D9/341, 346, 430; 206/461-471, 495, 320, 775-783, 756, 757, 765

4,669,610 6/1987 Lindsey et al. .  
 4,702,368 10/1987 Jones .  
 4,702,374 10/1987 Kelner .  
 4,781,289 11/1988 Perkins .  
 4,823,960 4/1989 Perlberg et al. .  
 4,848,577 7/1989 Hoffman et al. .  
 4,901,858 2/1990 Anderson .  
 5,002,187 3/1991 Rysner et al. .  
 5,064,056 11/1991 Gresh .  
 5,188,222 2/1993 Pierce .  
 5,452,802 9/1995 Green .  
 5,495,937 3/1996 Fraser .  
 5,626,226 5/1997 Gardiner et al. .  
 5,890,593 \* 4/1999 Humphrey ..... 206/471  
 5,947,291 \* 9/1999 Humphrey ..... 206/463

**OTHER PUBLICATIONS**

Techform Inc., Nov. 1882.\*

\* cited by examiner

(56) **References Cited**  
**U.S. PATENT DOCUMENTS**

D. 309,262 7/1990 Coiner .  
 D. 321,323 11/1991 Nakamura .  
 D. 332,744 \* 1/1993 McCooney ..... D9/415  
 D. 394,384 \* 5/1998 Humphrey ..... D9/415  
 D. 414,108 \* 9/1999 Humphrey ..... D9/415  
 D. 435,442 \* 12/2000 Candelin ..... D9/415  
 1,784,937 12/1930 Kreslawsky .  
 2,727,620 \* 12/1955 Buttery ..... 206/779  
 2,873,023 2/1959 Erickson .  
 3,064,402 11/1962 Crane .  
 3,416,656 12/1968 Addiego .  
 3,420,361 1/1969 Newberg .  
 3,493,103 \* 2/1970 Cote ..... 206/418  
 4,099,612 7/1978 Hanson .  
 4,307,803 12/1981 Johnson .  
 4,415,084 11/1983 Hauser et al. .  
 4,531,637 7/1985 Cusmano .  
 4,627,536 \* 12/1986 Pugh ..... 206/426

*Primary Examiner*—Prabhakar Deshmukh  
(74) *Attorney, Agent, or Firm*—Oppenheimer, Wolff & Donnelly, LLP

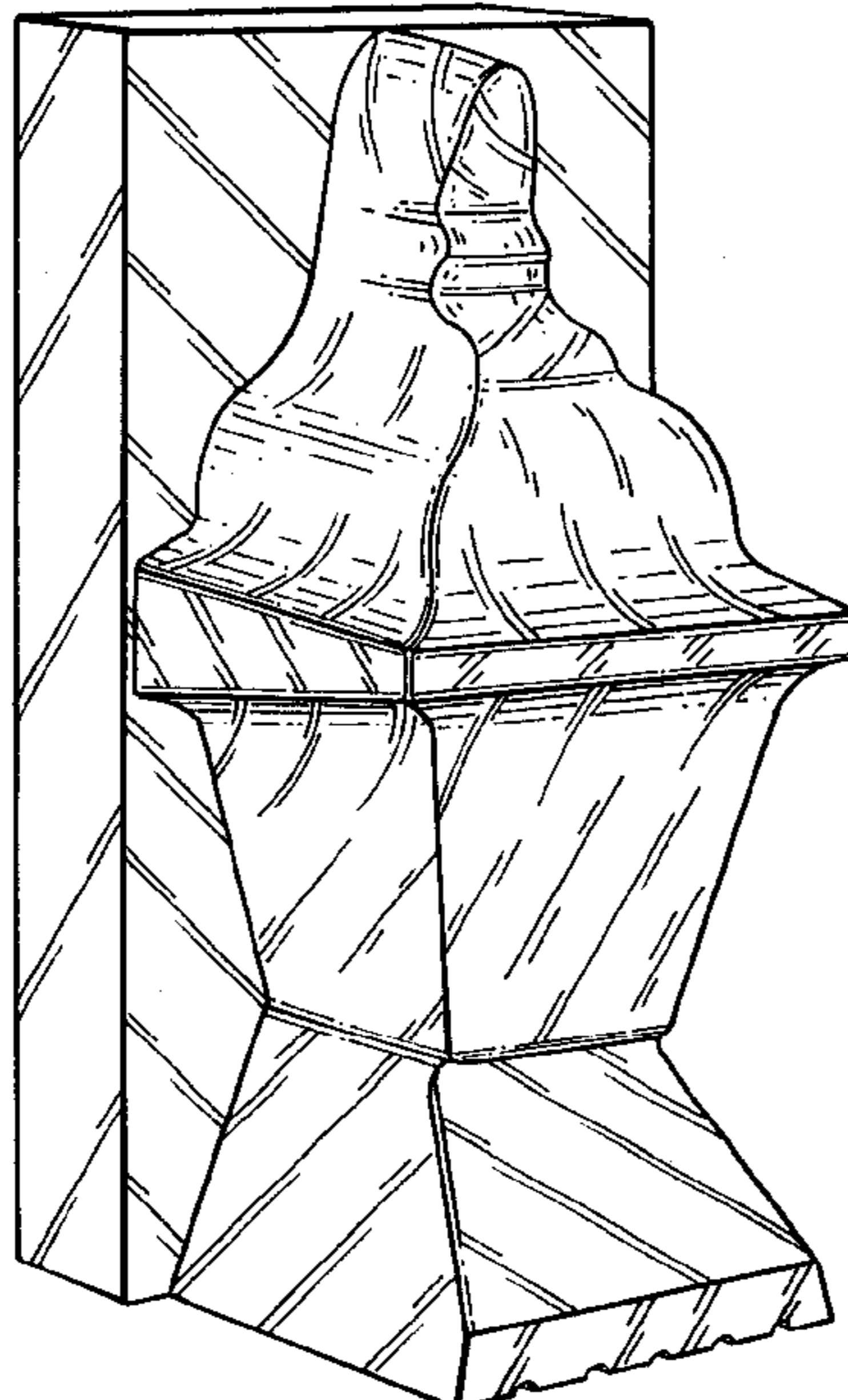
(57) **CLAIM**

The ornamental design for a package, as shown and described.

**DESCRIPTION**

FIG. 1 is a front perspective view of a package showing my new design;  
 FIG. 2 is a front elevational view thereof;  
 FIG. 3 is a right side elevational view thereof, the left side being a mirror image thereof;  
 FIG. 4 is a top plan view thereof; and,  
 FIG. 5 is a bottom plan view thereof.

**1 Claim, 2 Drawing Sheets**



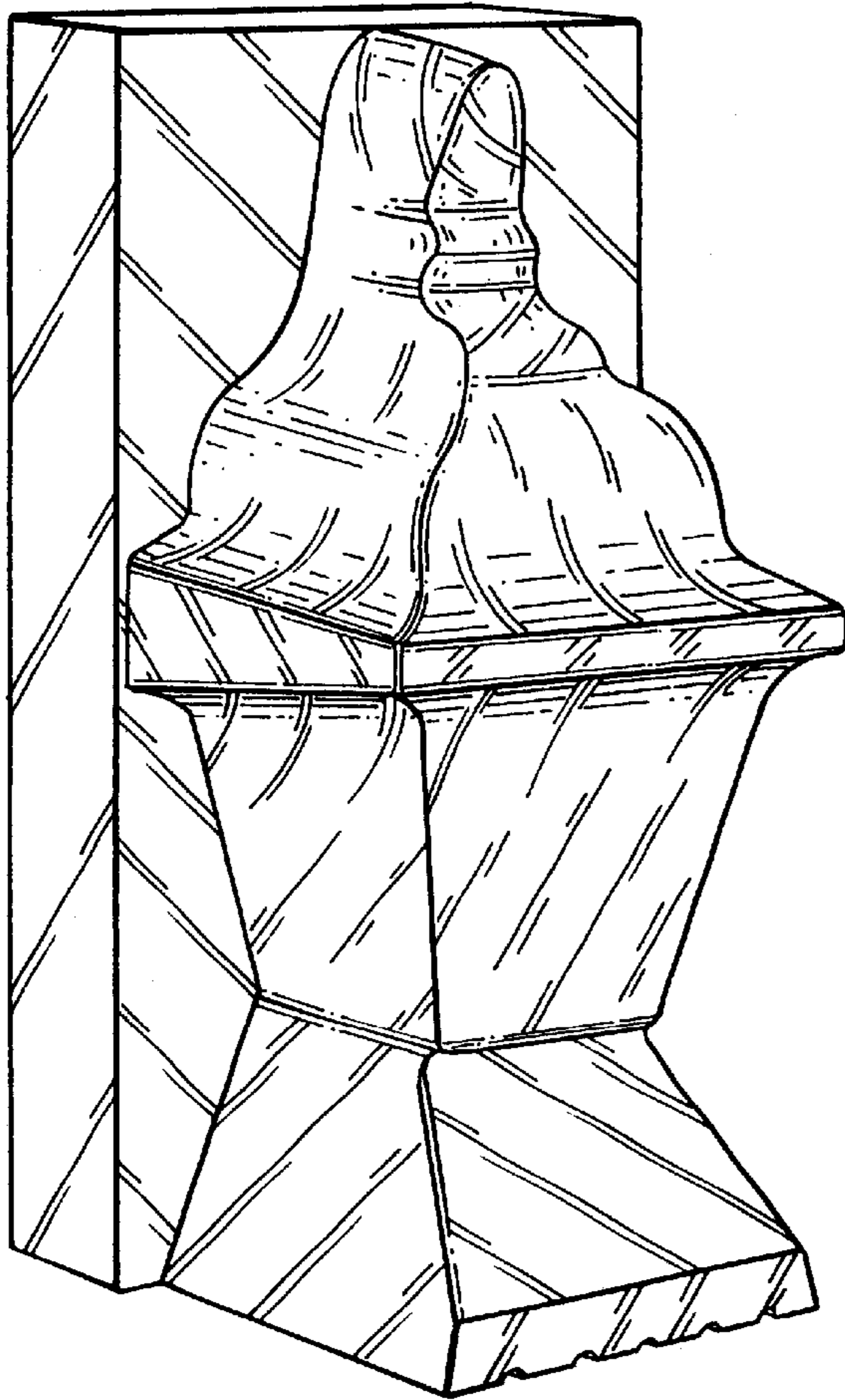


FIG. 1

FIG. 4

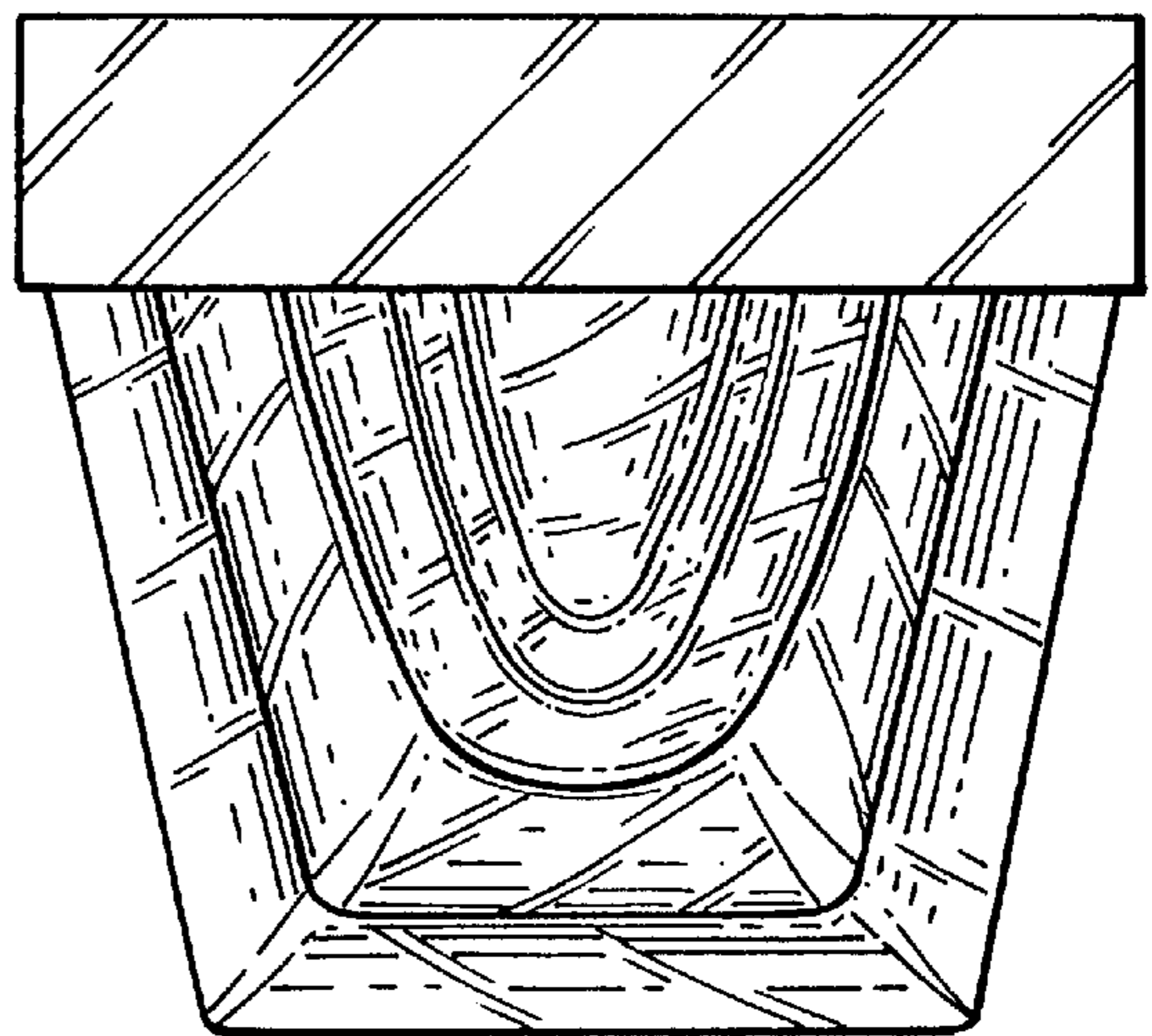
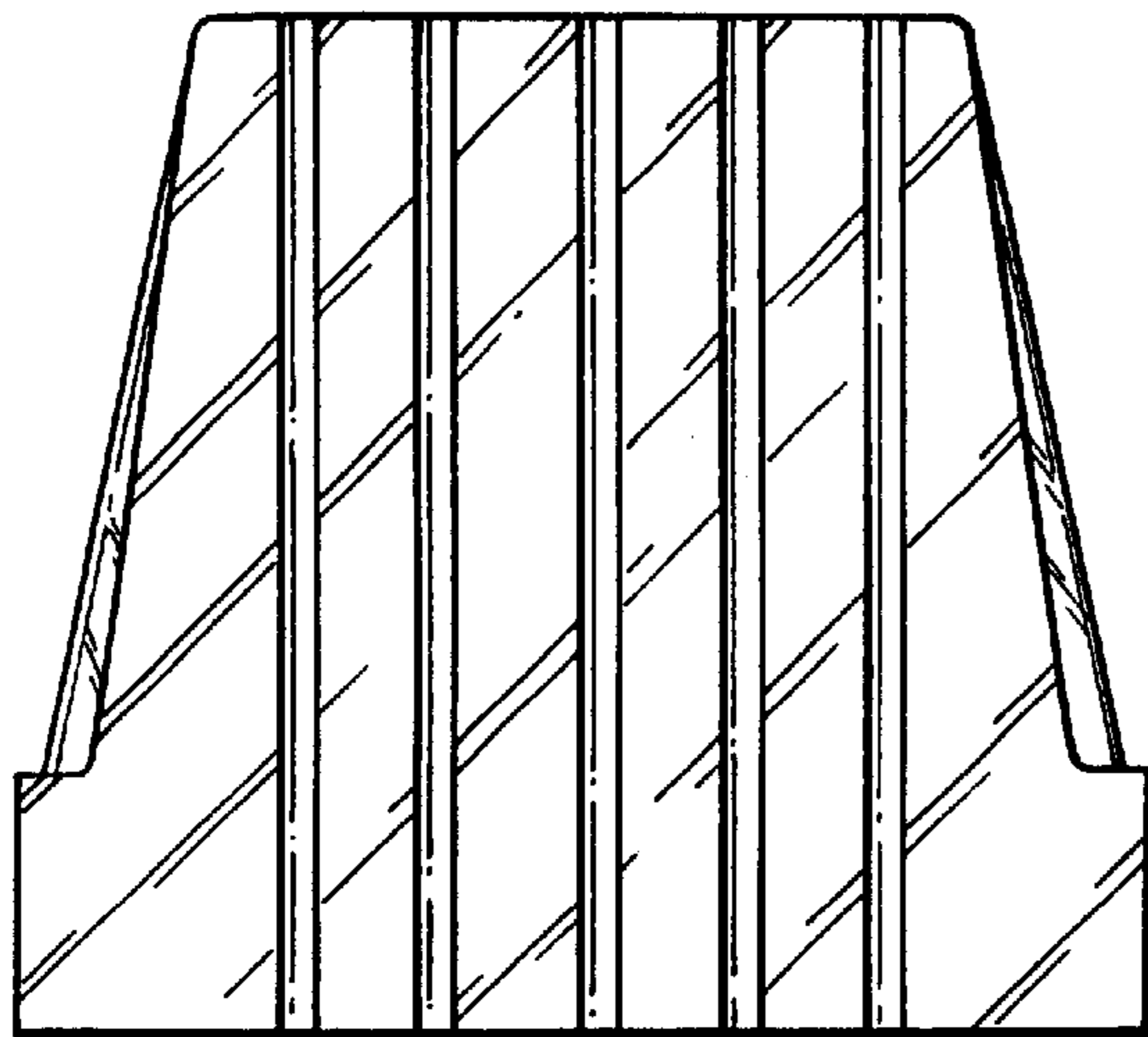


FIG. 5



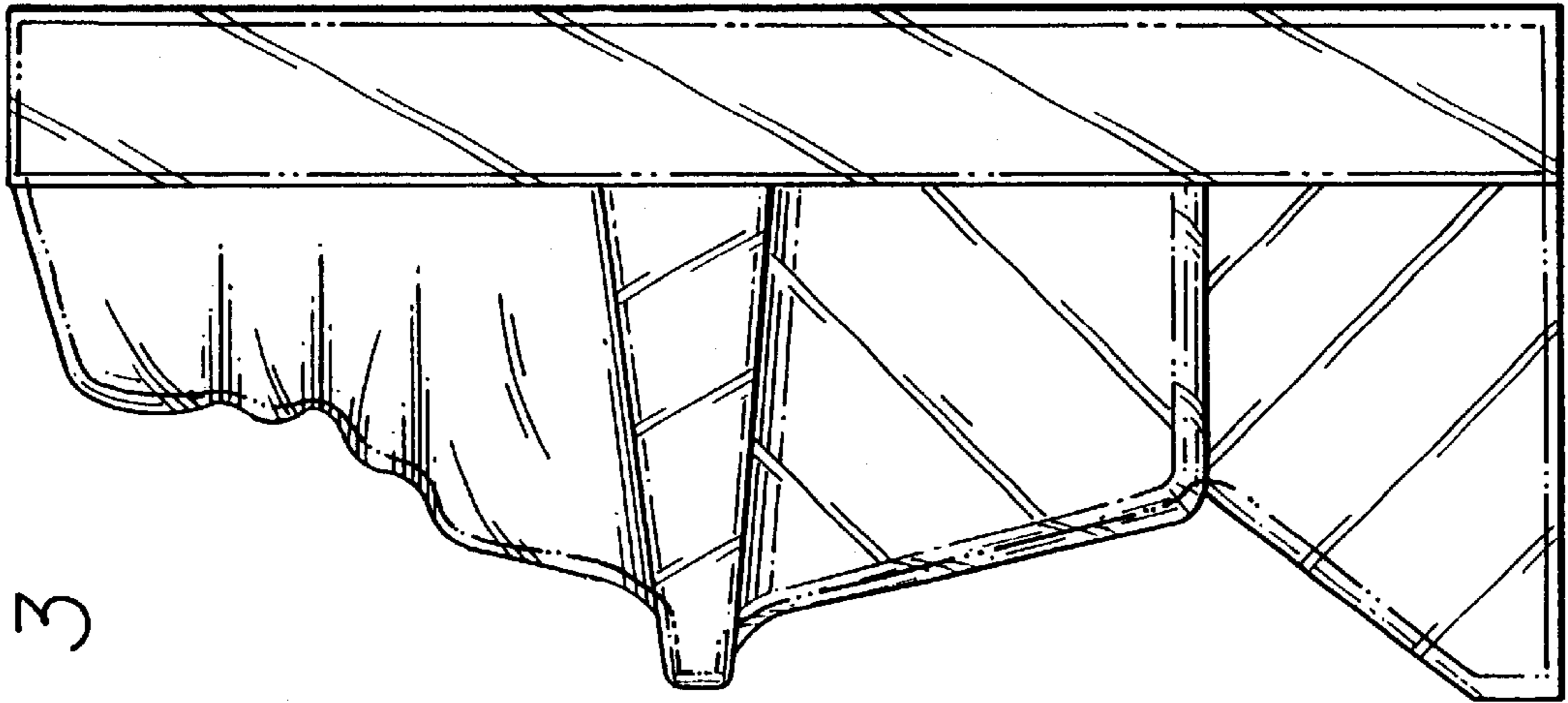


FIG. 3

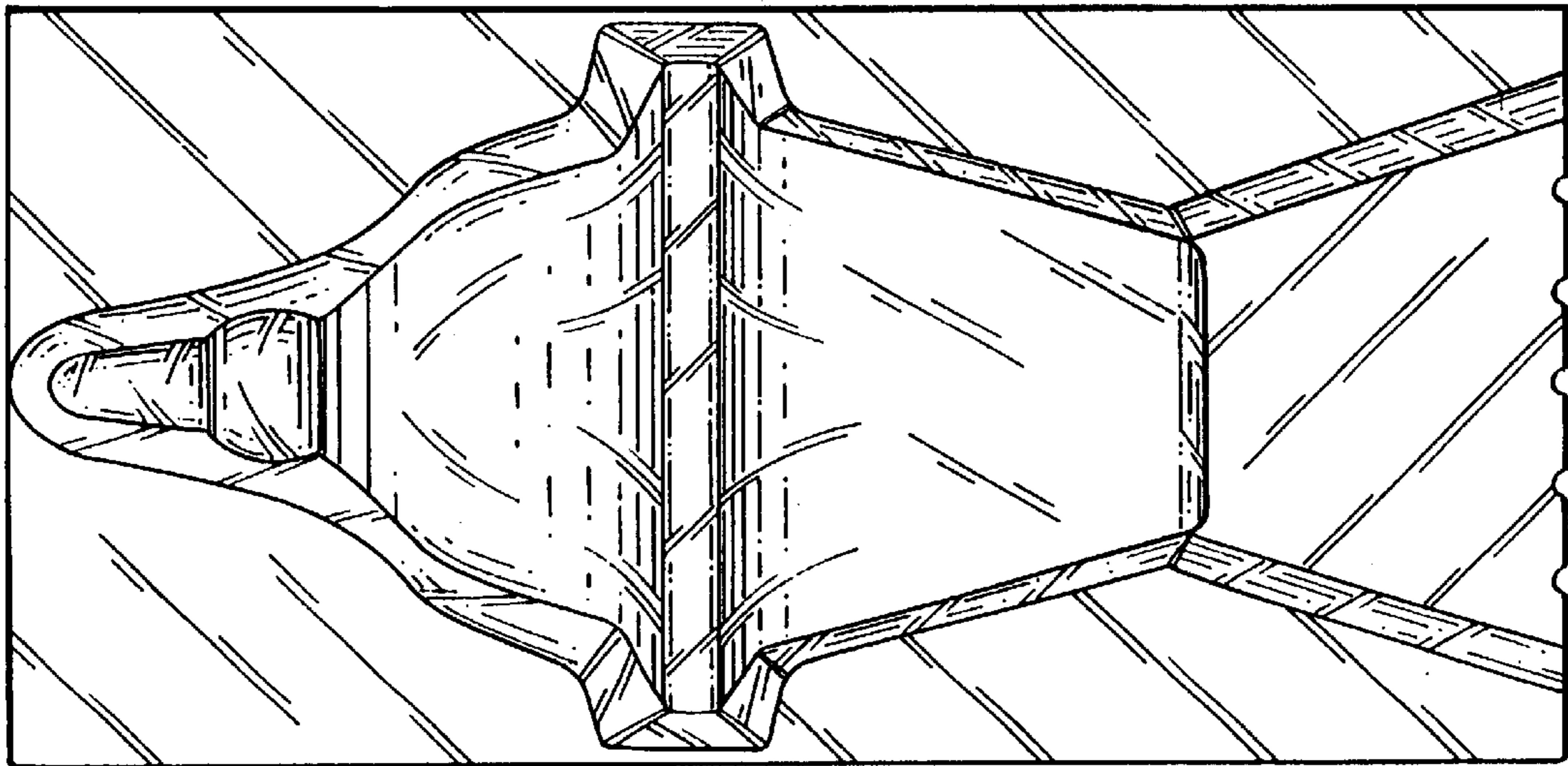


FIG. 2