



US00D447405B1

(12) **United States Design Patent**
Diener

(10) **Patent No.:** **US D447,405 S**

(45) **Date of Patent:** **** Sep. 4, 2001**

(54) **CABLE BLOCK**

(76) Inventor: **Terry Diener**, 4475 Swaffer Rd.,
Vassar, MI (US) 48768

(**) Term: **14 Years**

(21) Appl. No.: **29/137,281**

(22) Filed: **Feb. 20, 2001**

(51) **LOC (7) Cl.** **08-05**

(52) **U.S. Cl.** **D8/358**

(58) **Field of Search** D8/358, 359, 356;
254/405, 390, 134.3 R, 393, 134.3 PA,
388, 389, 134.3 CL; 242/405, 407, 397,
398, 395; 24/129 R, 115 R

(56) **References Cited**

U.S. PATENT DOCUMENTS

D. 208,716	*	9/1967	Neiman	D8/359
D. 334,882	*	4/1993	Bunch	D8/359
3,970,287	*	7/1976	Robards	254/389
4,549,723	*	10/1985	Castilano	254/405

* cited by examiner

Primary Examiner—Pamela Burgess

(74) *Attorney, Agent, or Firm*—John J. Swartz

(57) **CLAIM**

The ornamental design for a cable block, as shown and described.

DESCRIPTION

FIG. 1 is a front elevational view of a cable block illustrating my new design;
 FIG. 2 is a rear elevational view thereof;
 FIG. 3 is a side elevational view taken from the left side of the cable block illustrated in FIG. 1;
 FIG. 4 is a side elevational view taken from the right side of the cable block illustrated in FIG. 1;
 FIG. 5 is a bottom plan view thereof;
 FIG. 6 is a top plan view thereof;
 FIG. 7 is a front elevational view of a second embodiment of a cable block illustrating my new design;
 FIG. 8 is a rear elevational view of the embodiment illustrated in FIG. 7;
 FIG. 9 is a side elevational view, taken from the right side of the cable block illustrated in FIG. 8;
 FIG. 10 is an opposite side elevational view, taken from the left side of the cable block illustrated in FIG. 7;
 FIG. 11 is a bottom plan view of the cable block illustrated in FIG. 8; and,
 FIG. 12 is a top plan view of the cable block illustrated in FIG. 8.

1 Claim, 5 Drawing Sheets

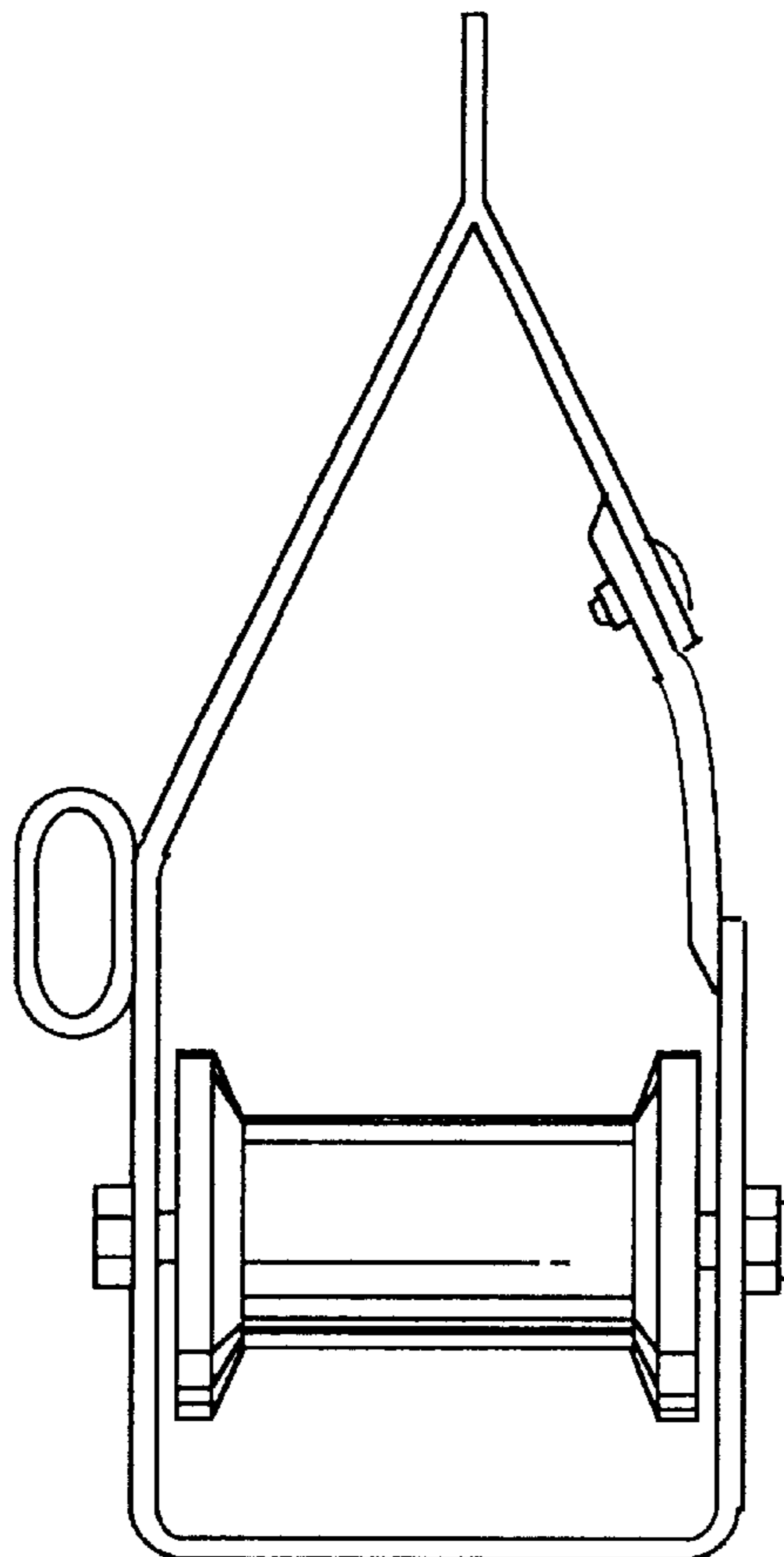


Fig. 1

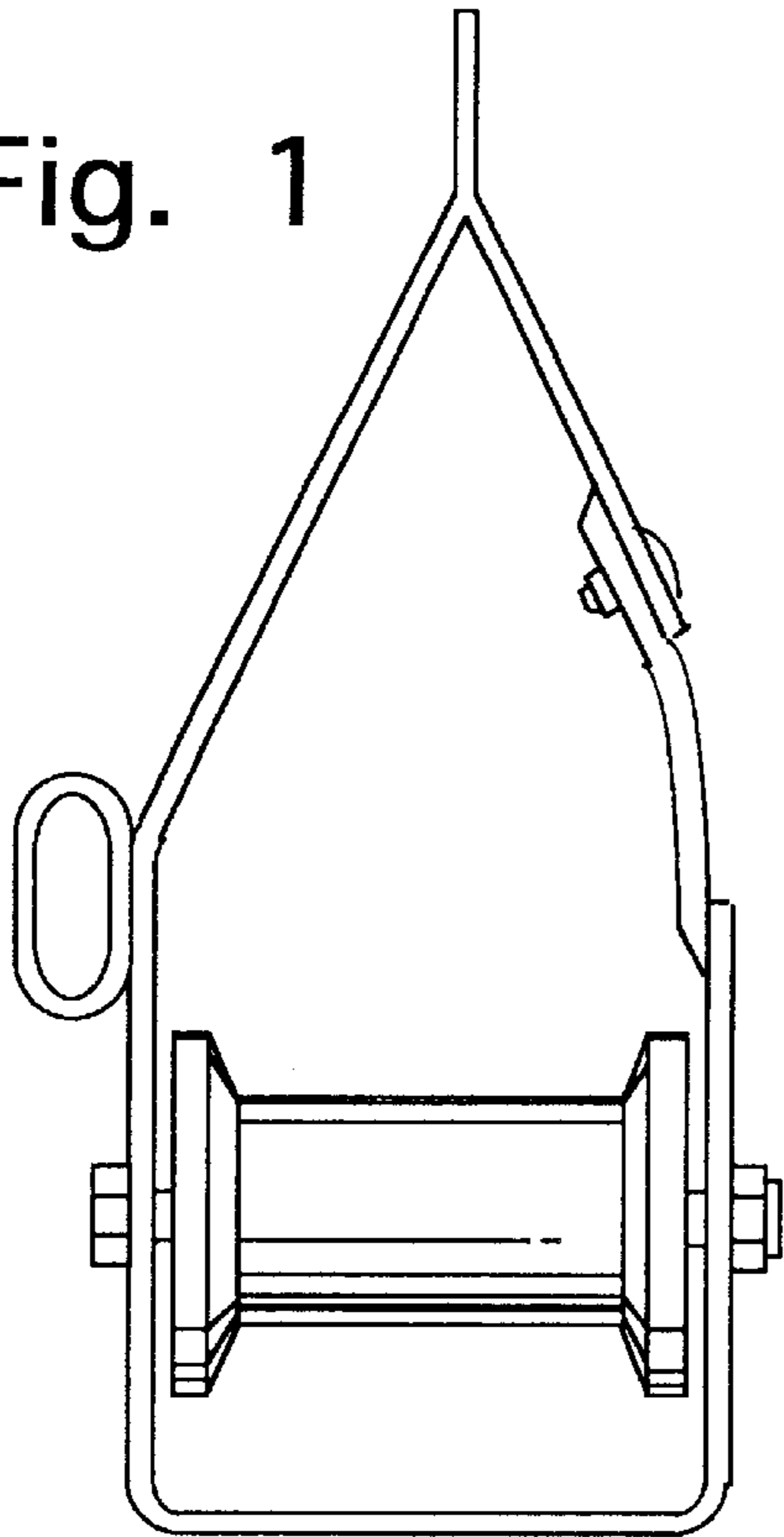


Fig. 2

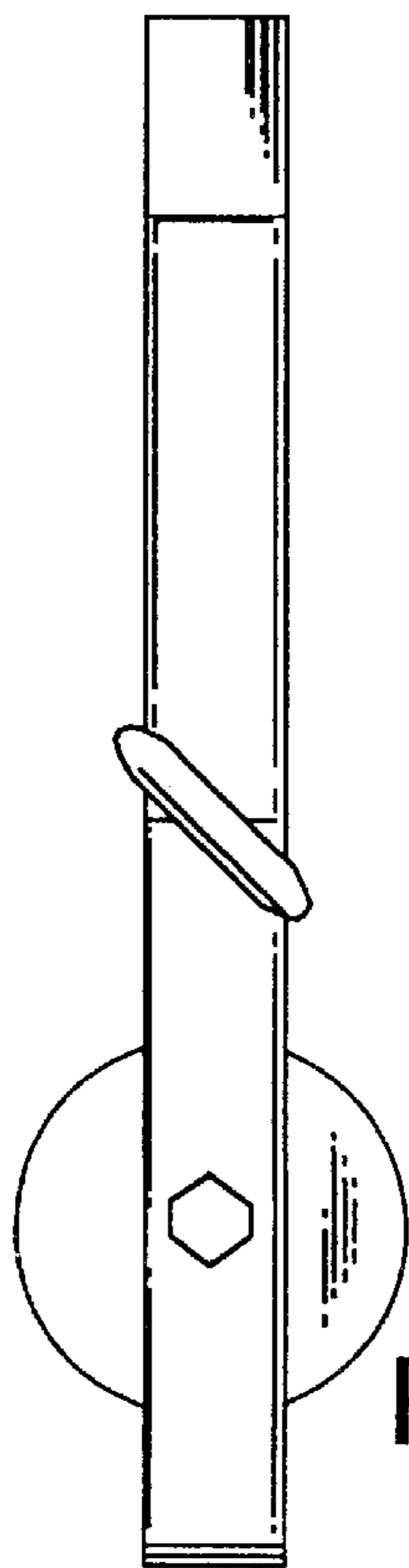
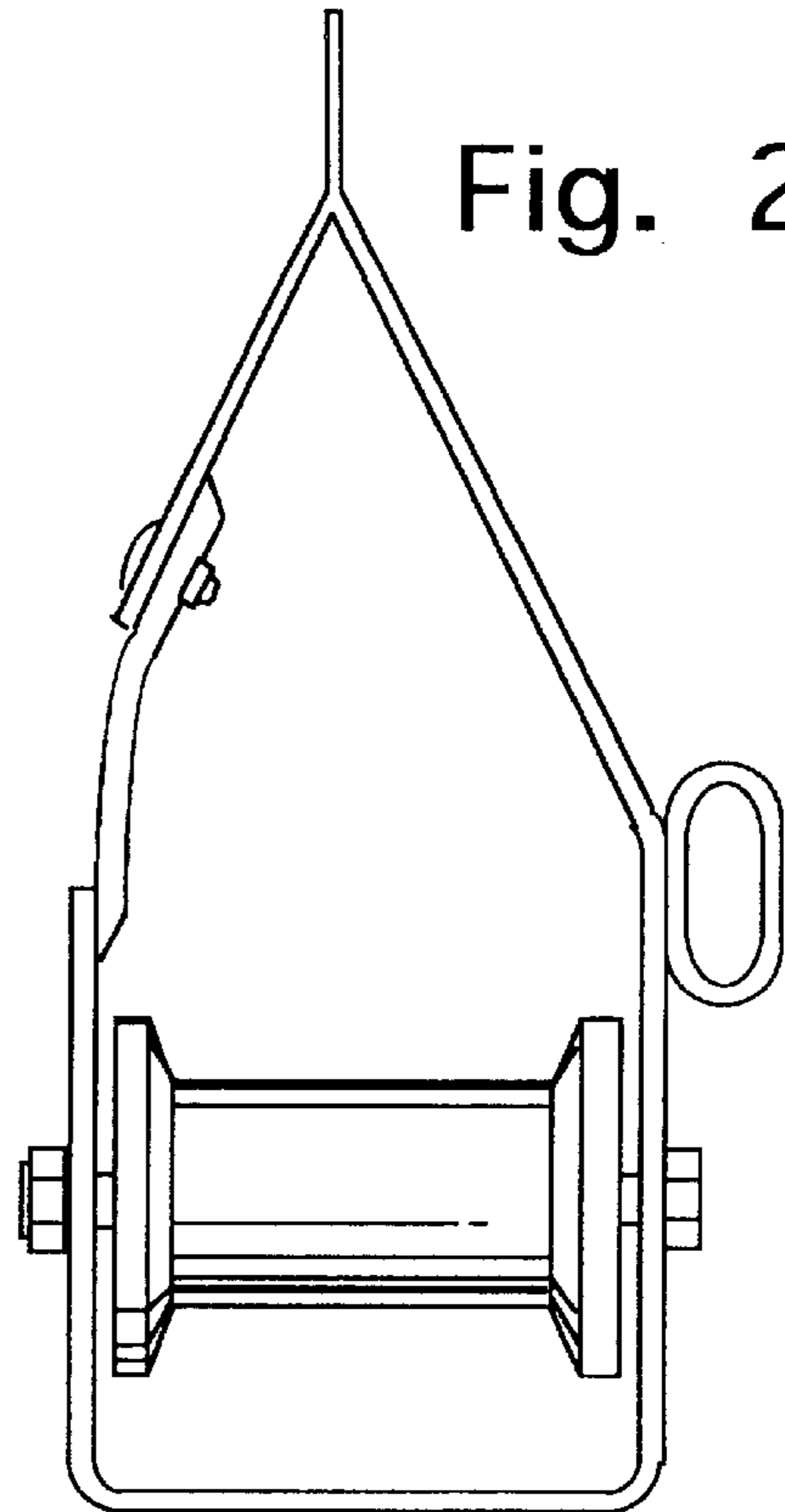


Fig. 3

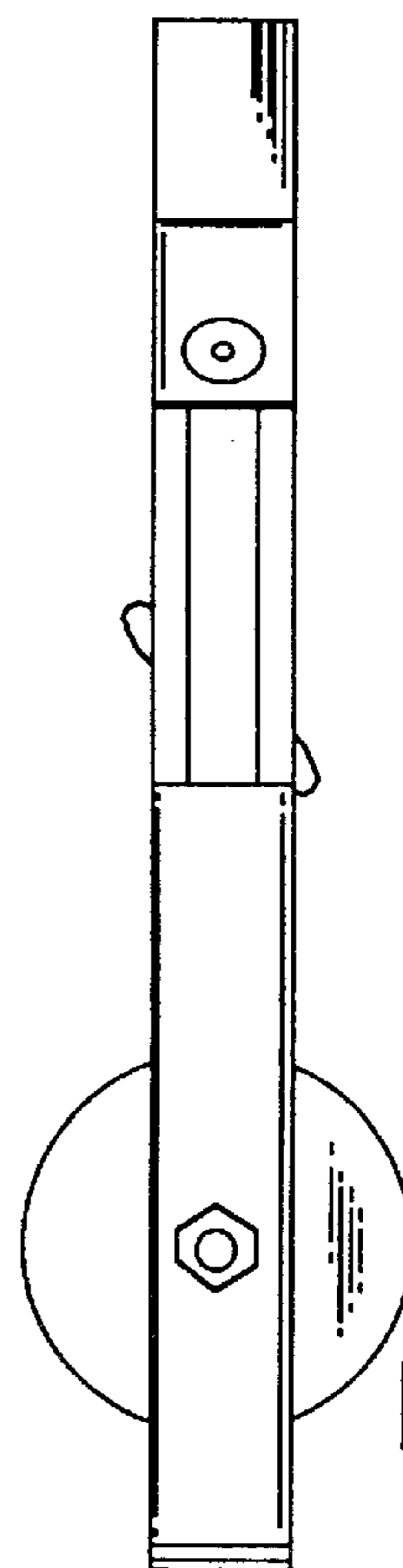


Fig. 4

Fig. 5

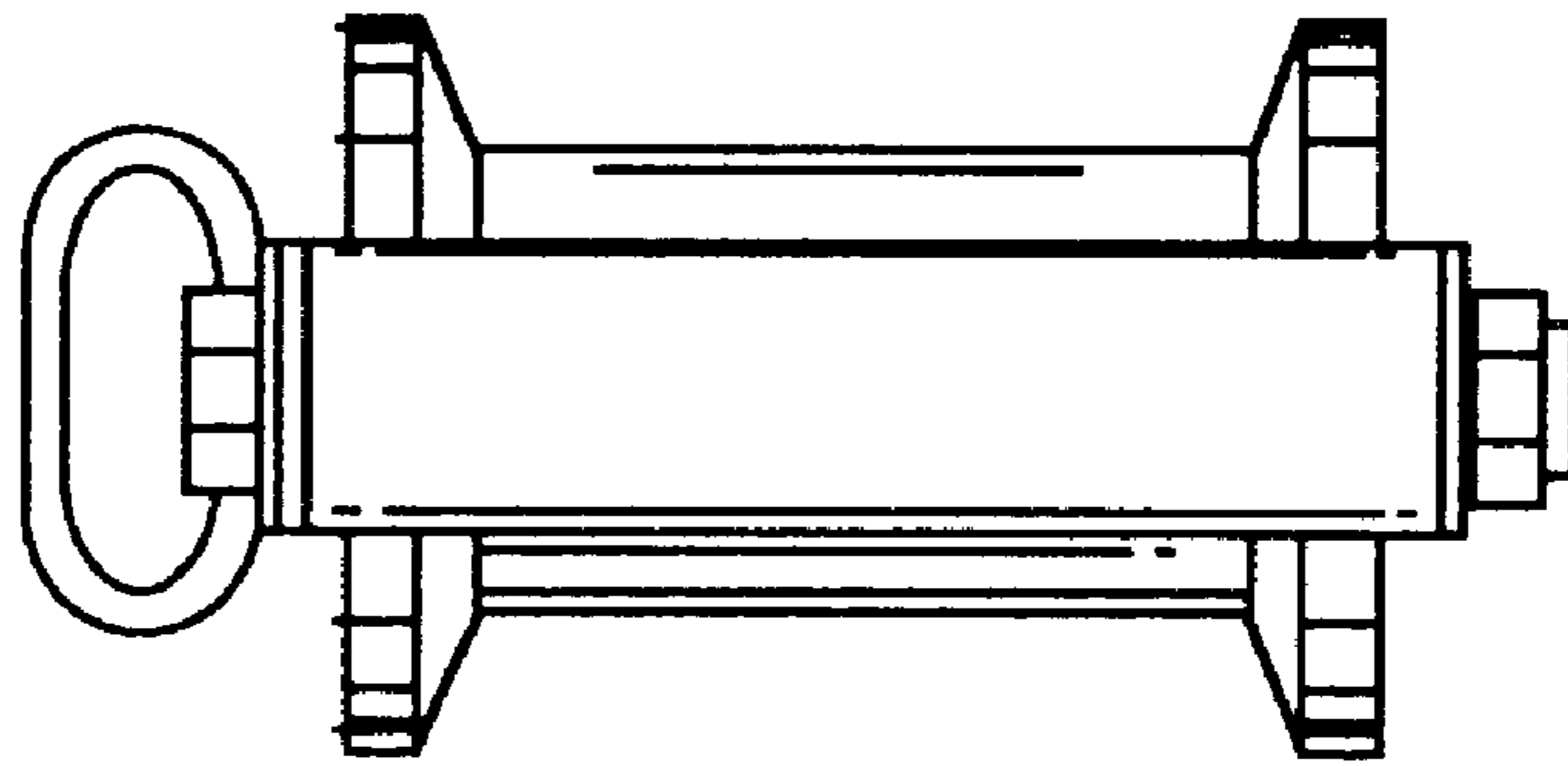
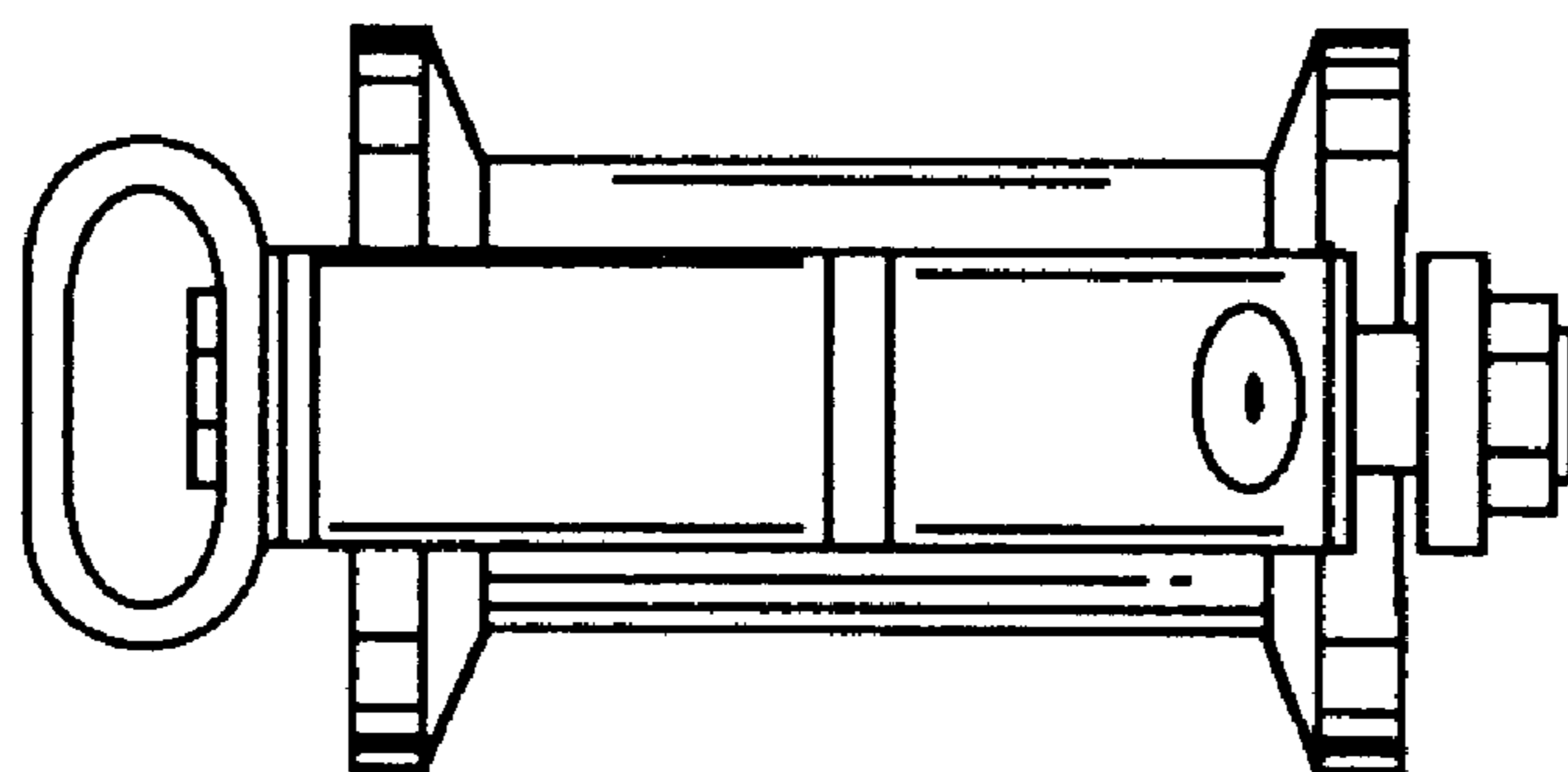


Fig. 6



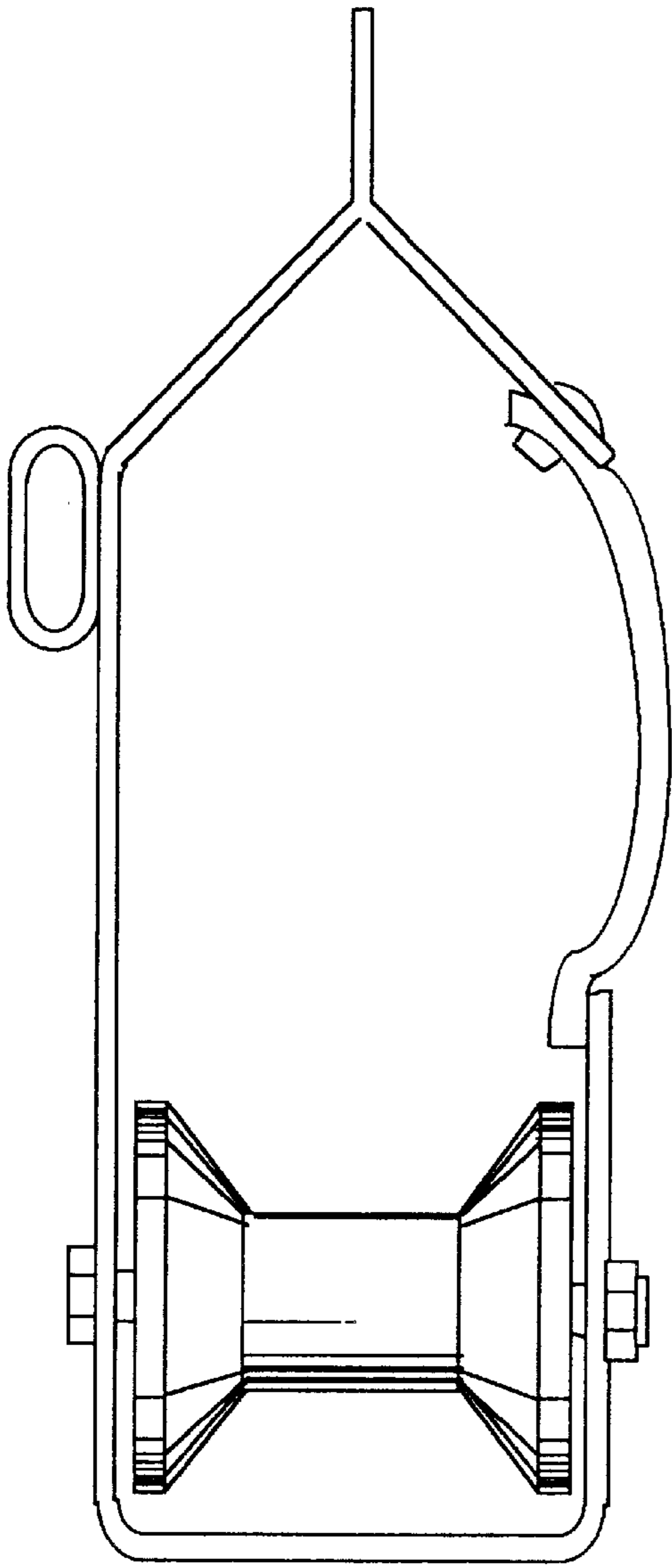


Fig. 7

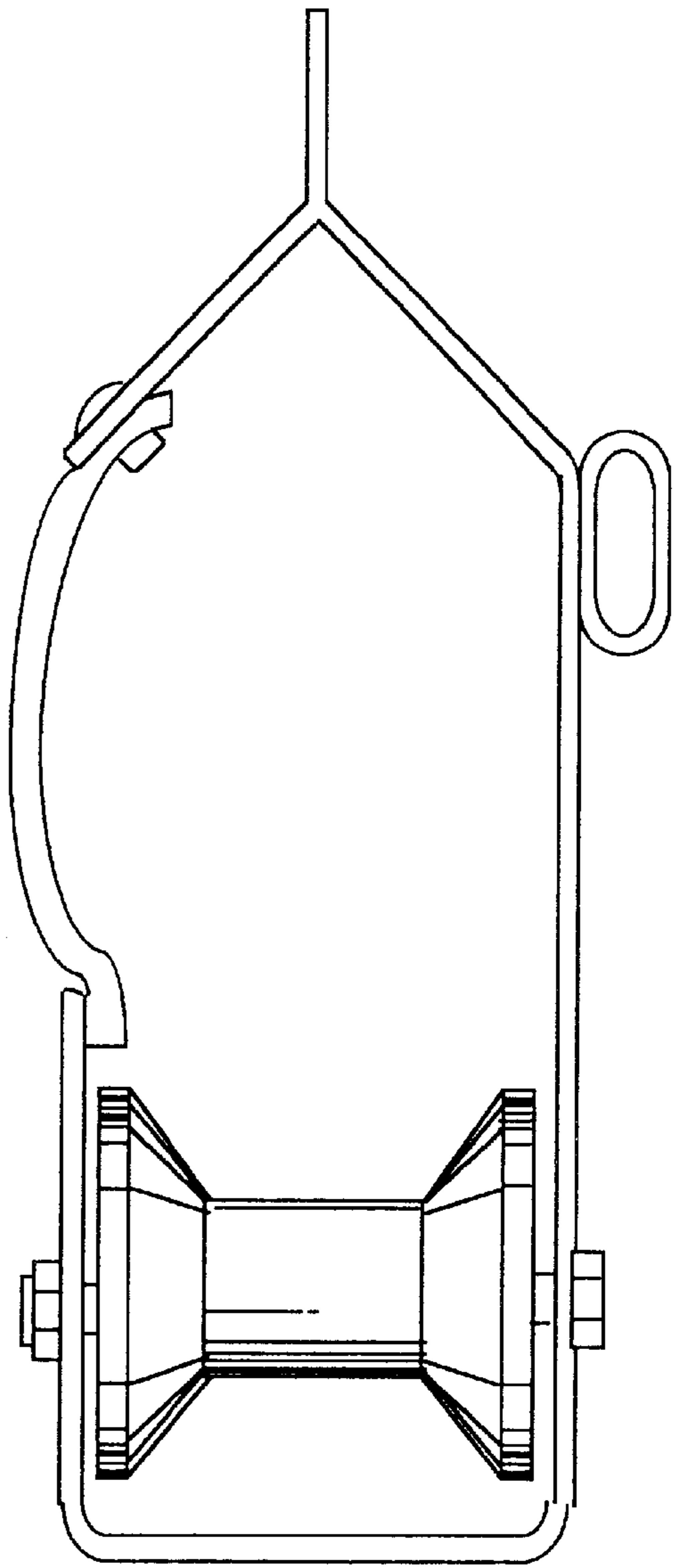


Fig. 8

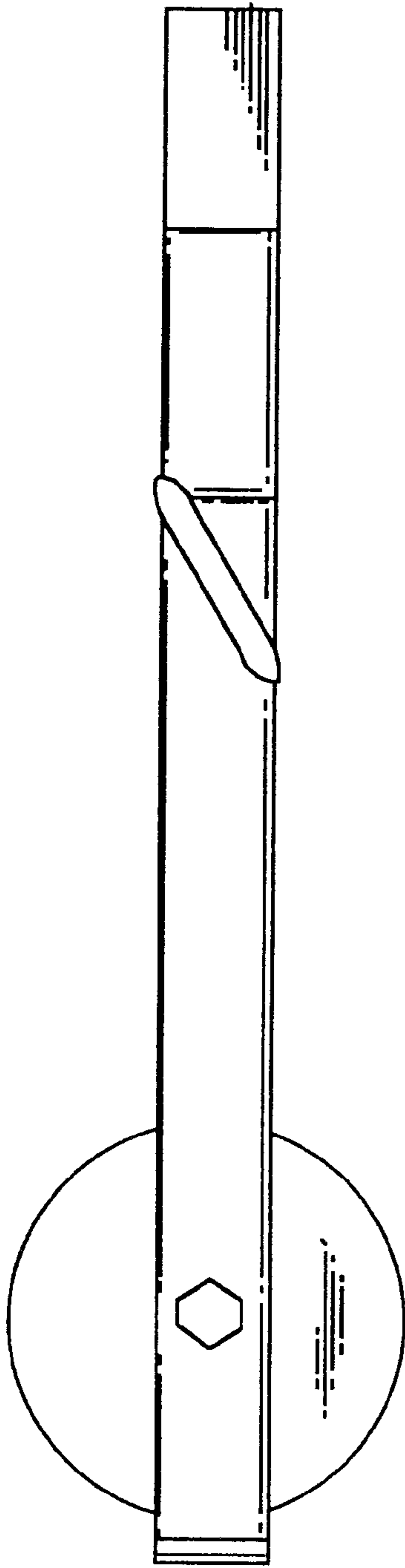


Fig. 9

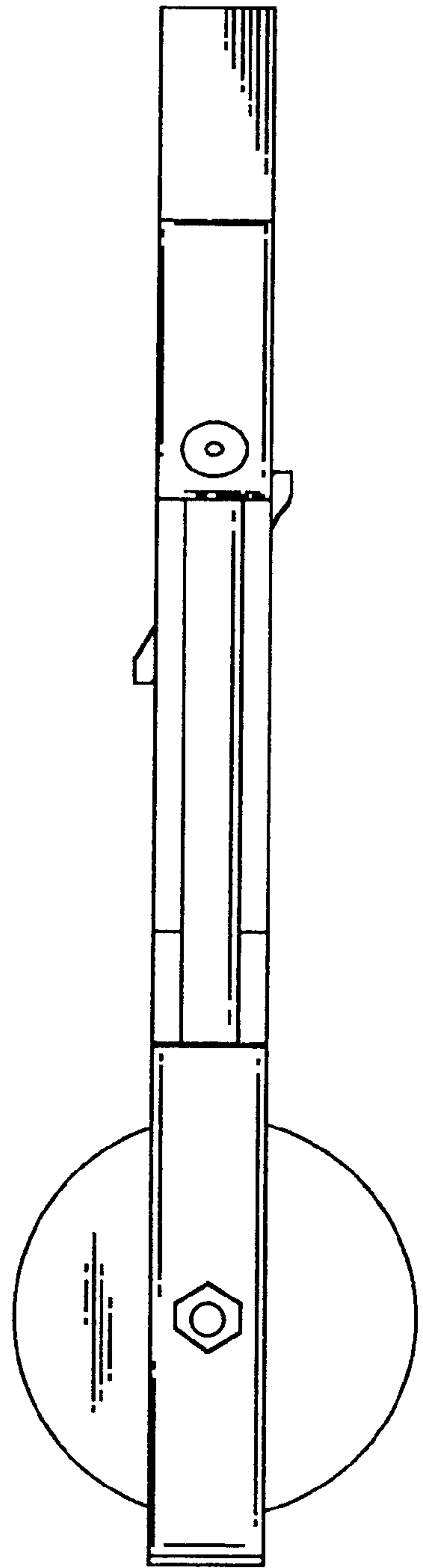


Fig. 10

Fig. 11

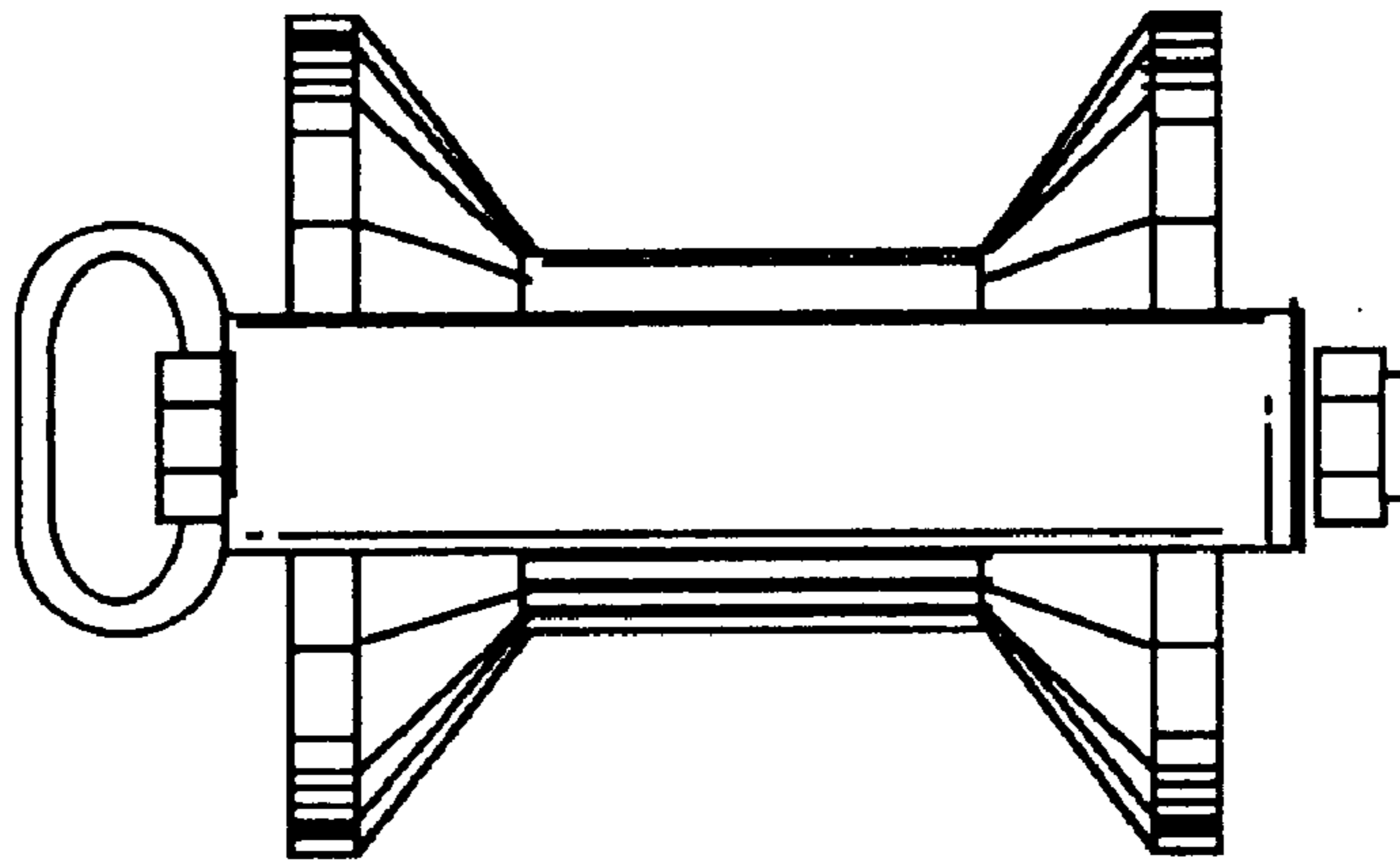


Fig. 12

