



US00D447399B1

(12) **United States Design Patent**
Netzler

(10) **Patent No.:** **US D447,399 S**

(45) **Date of Patent:** **** Sep. 4, 2001**

- (54) **DRILL HEAD**
- (75) Inventor: **Sion Netzler**, Newton Aycliffe (GB)
- (73) Assignee: **Black & Decker Inc.**, Newark, DE (US)
- (**) Term: **14 Years**
- (21) Appl. No.: **29/131,183**
- (22) Filed: **Oct. 16, 2000**
- (51) **LOC (7) Cl.** **08-01**
- (52) **U.S. Cl.** **D8/70; D8/61**
- (58) **Field of Search** D8/61-70; 81/57.11, 81/54, 57.42; 173/170, 217, 169, 216, 213, 164, 163; 451/357-359, 344, 356; 310/50; 279/62

4,949,463	*	8/1990	Chen	30/500
5,033,552	*	7/1991	Hu	173/217
5,511,912	*	4/1996	Ellerbrock	408/20
5,624,000	*	4/1997	Miller	173/216
5,643,062	*	7/1997	Joseph et al.	451/355
6,153,838	*	11/2000	Wadge	310/50 X
6,170,579	*	1/2001	Wadge	173/216
6,176,322	*	1/2001	Wadge	173/217
6,181,032	*	1/2001	Marshall et al.	307/150
6,206,107	*	3/2001	Wadge	173/217

* cited by examiner

Primary Examiner—Jeffrey Asch

(74) *Attorney, Agent, or Firm*—Bruce S. Shapiro

(57) **CLAIM**

The ornamental design for a drill head, as shown and described.

DESCRIPTION

FIG. 1 is a front perspective view of a drill head showing my new design.

FIG. 2 is a left side elevational view thereof.

FIG. 3 is a right side elevational view thereof.

FIG. 4 is a top plan view thereof.

FIG. 5 is a bottom plan view thereof.

FIG. 6 is a front elevational view thereof; and,

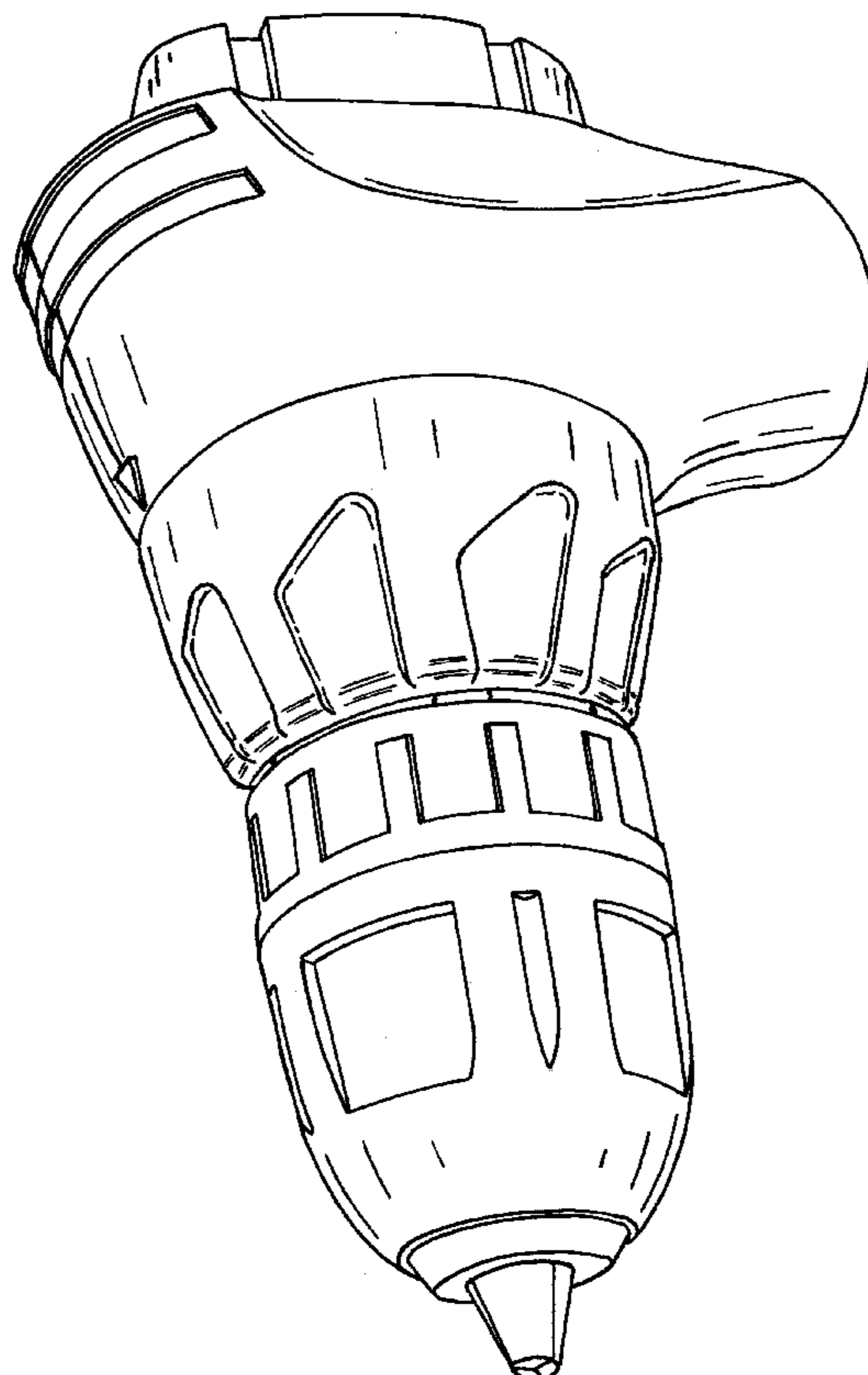
FIG. 7 is a rear elevational view thereof.

1 Claim, 4 Drawing Sheets

(56) **References Cited**

U.S. PATENT DOCUMENTS

D. 92,590	*	6/1934	Decker	D8/69
D. 165,415	*	12/1951	Davis	D8/69
D. 237,455	*	11/1975	Schann	D8/69
D. 404,629	*	1/1999	Cooper	D8/70
D. 413,244	*	8/1999	Robson	D8/69
D. 420,267	*	2/2000	Robson	D8/61
D. 423,315	*	4/2000	Robson	D8/70
3,550,280	*	12/1970	Palm	30/217
4,924,578	*	5/1990	Chagnon et al.	30/500



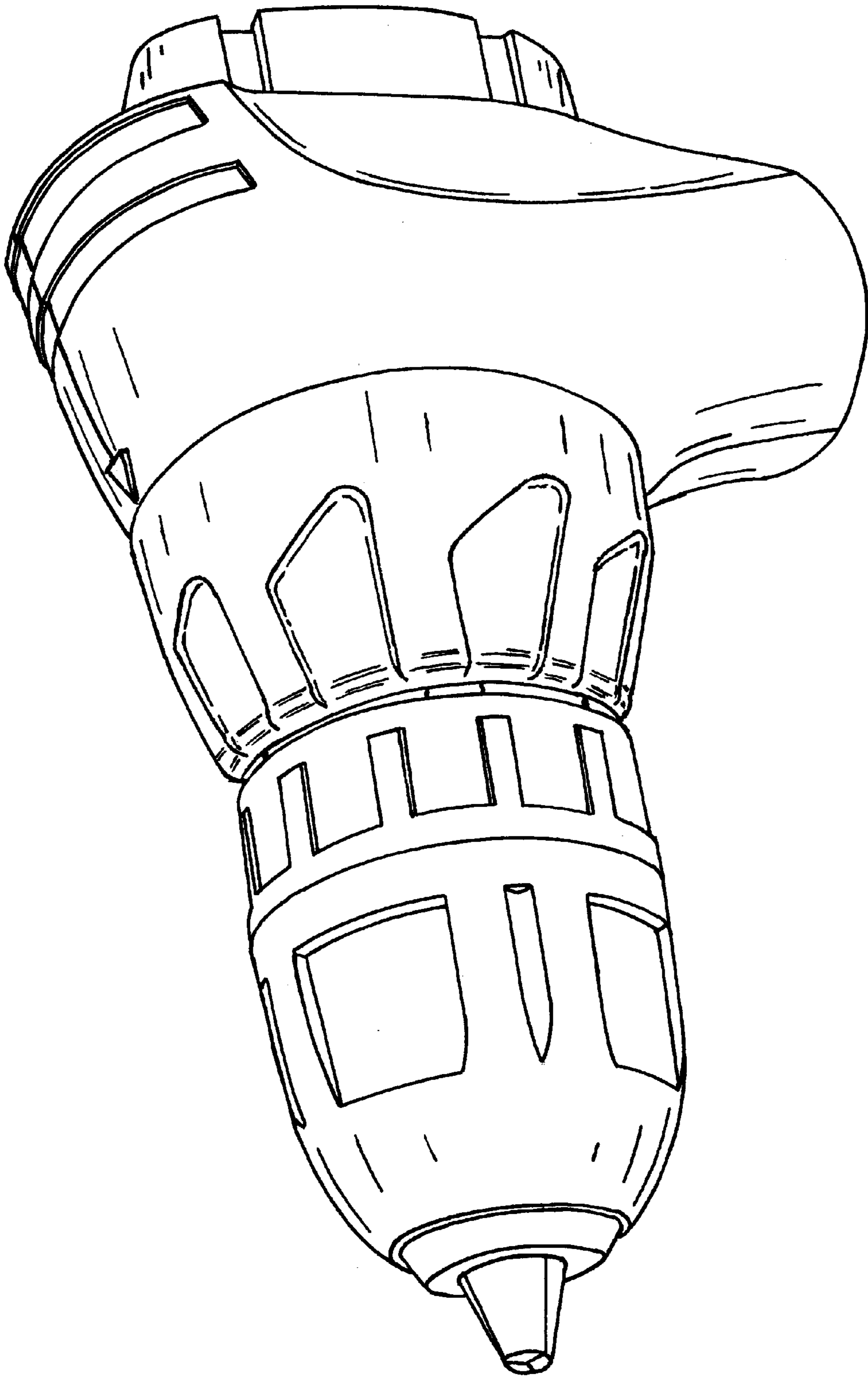


FIG. 1

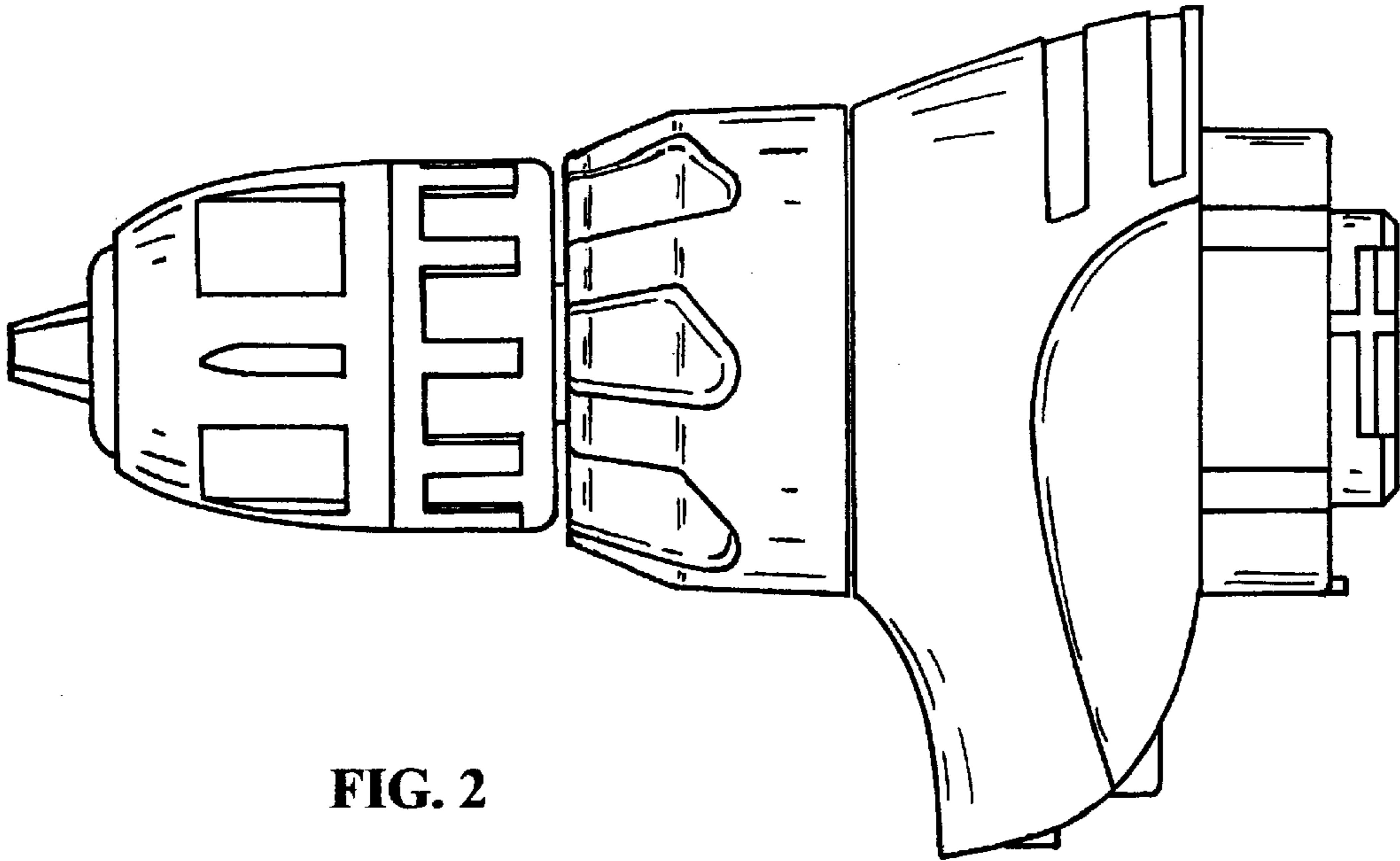


FIG. 2

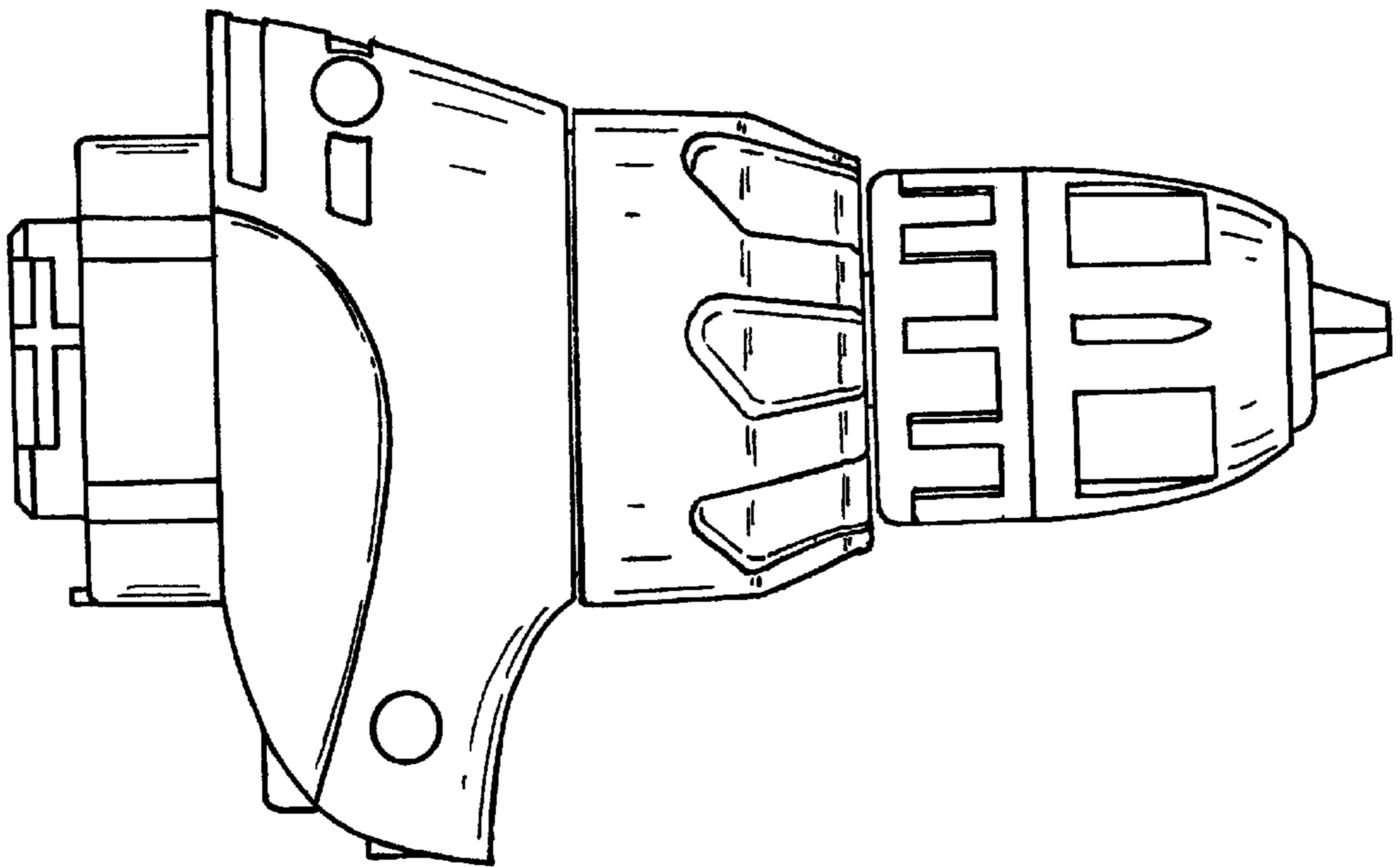


FIG. 3

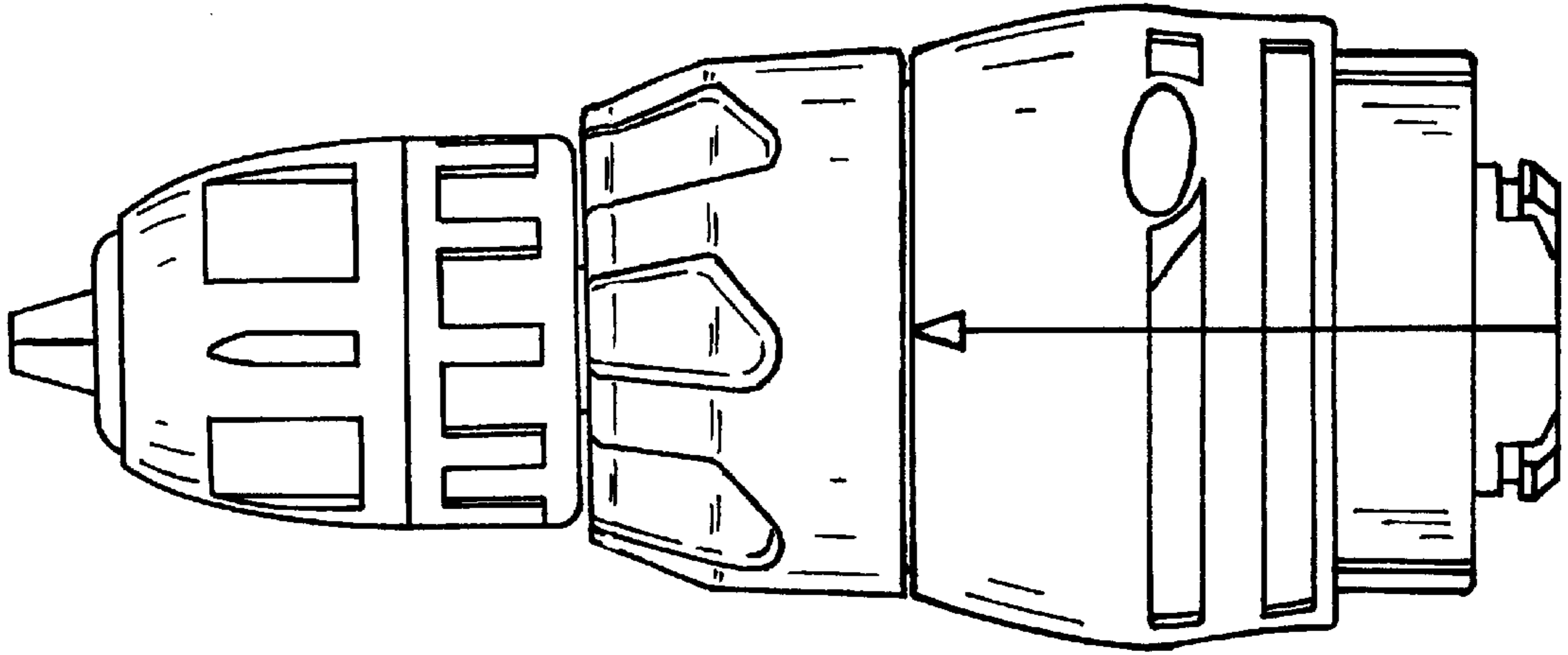


FIG. 4

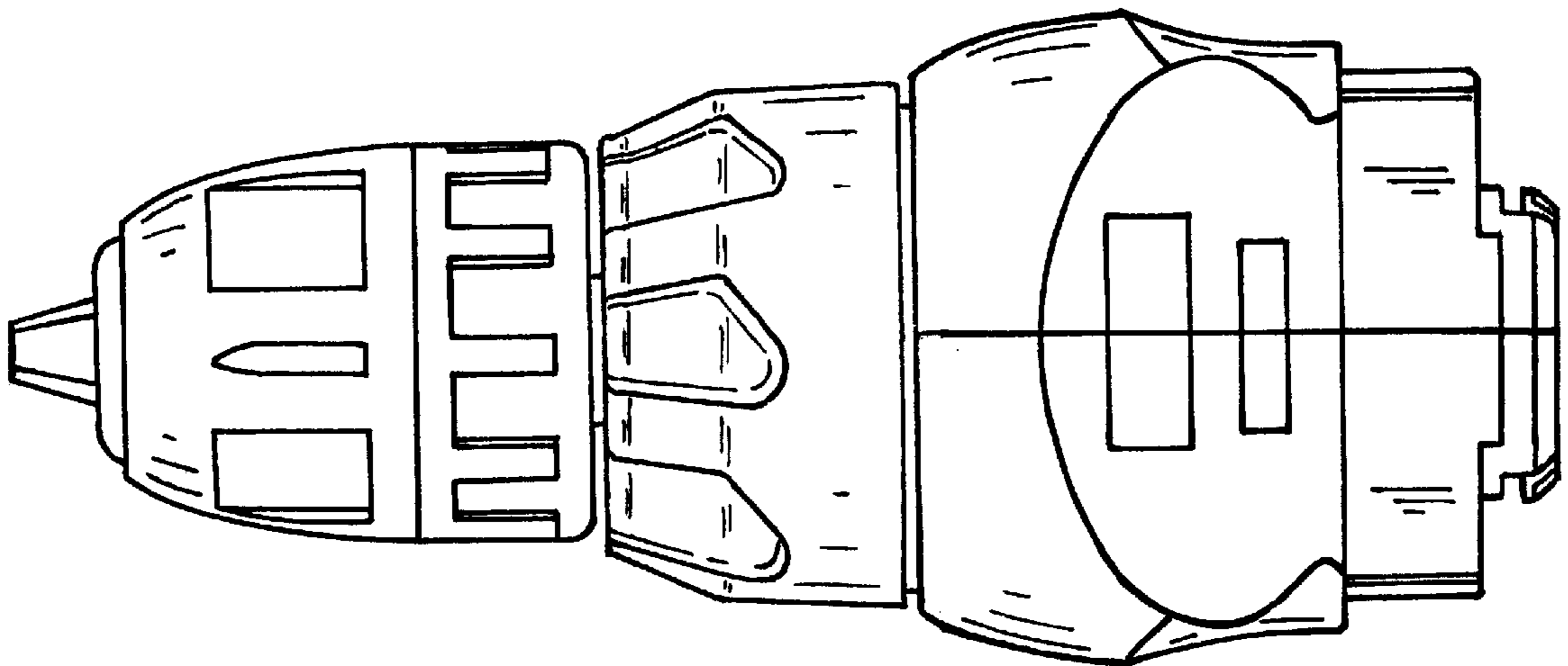


FIG. 5

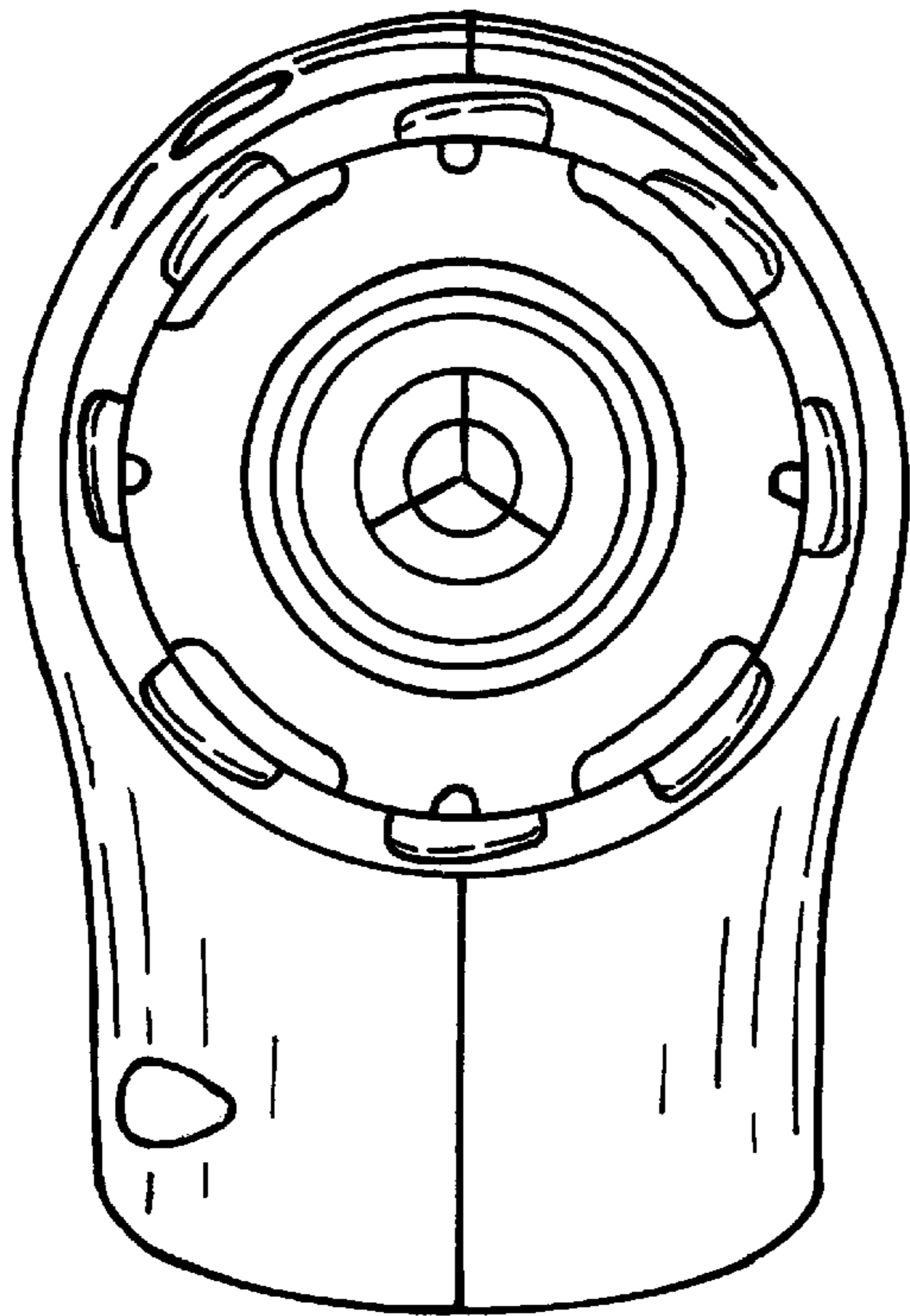


FIG. 6

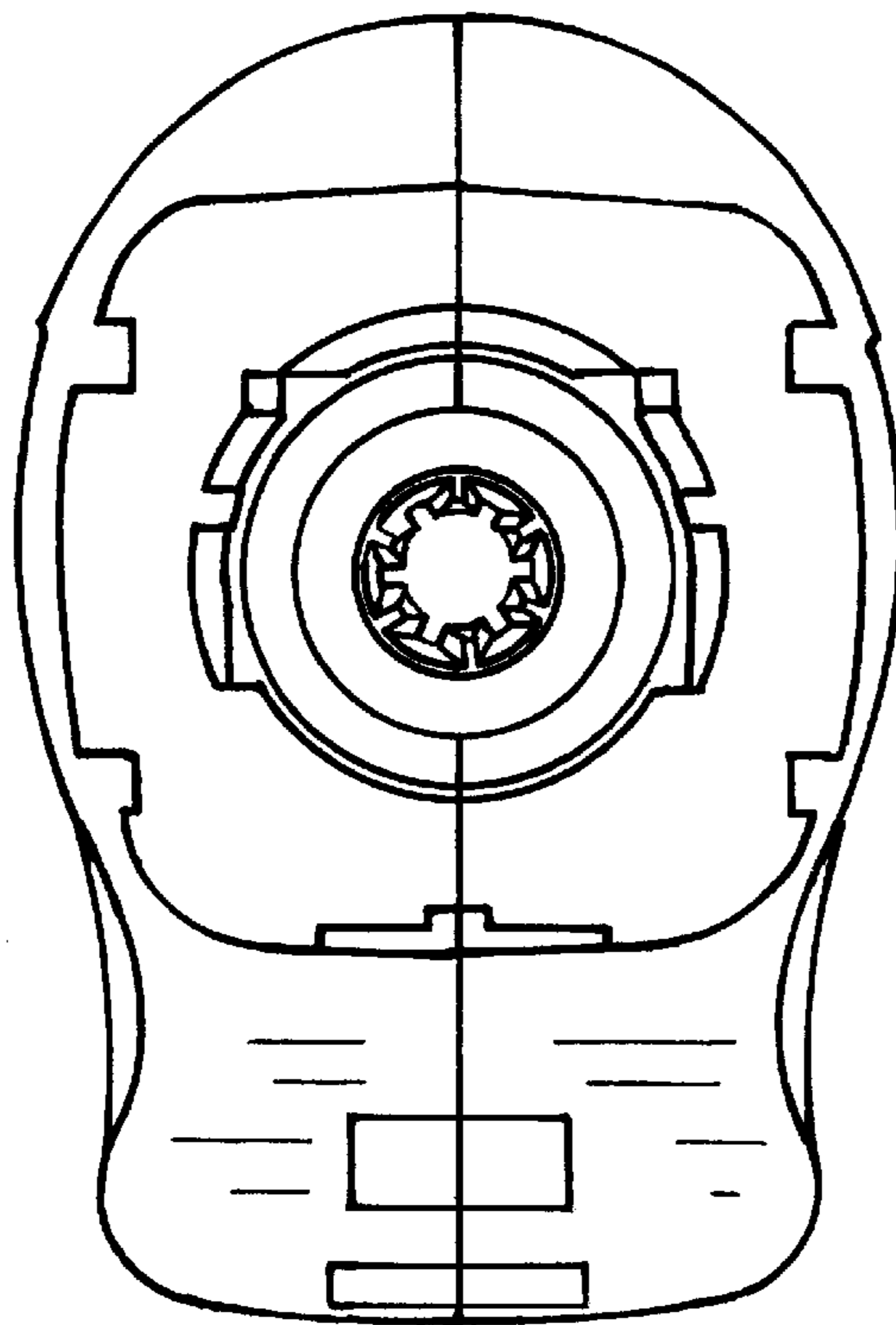


FIG. 7