



US00D447398B1

(12) **United States Design Patent**
Bazayev et al.

(10) **Patent No.:** **US D447,398 S**

(45) **Date of Patent:** **** *Sep. 4, 2001**

(54) **WIRE-WRAP/UNWRAP HAND TOOL**

(75) Inventors: **Edward Bazayev**, Kew Garden, NY (US); **Edward Scirbona**, Danbury, CT (US); **Sergey Baykov**, Richmond Hill, NY (US)

(73) Assignee: **OK International Inc.**, Yonkers, NY (US)

(*) Notice: This patent is subject to a terminal disclaimer.

(**) Term: **14 Years**

(21) Appl. No.: **29/132,127**

(22) Filed: **Nov. 6, 2000**

Related U.S. Application Data

(63) Continuation-in-part of application No. 29/117,093, filed on Jan. 18, 2000, now Pat. No. Des. 436,510.

(51) **LOC (7) Cl.** **08-05**

(52) **U.S. Cl.** **D8/68**

(58) **Field of Search** D8/61-70; 81/57.11, 81/54, 57.24; 173/170, 217, 169, 216, 213, 164, 48, 168.13, 109, 221; 451/357-359, 344; 310/50; 140/124, 122; 242/439.3

(56)

References Cited

U.S. PATENT DOCUMENTS

D. 205,631	*	8/1966	Averitt	D8/68
D. 221,926	*	9/1971	Farkas	D8/68
D. 289,004	*	3/1987	Somers	D8/68
D. 298,207	*	10/1988	Kilmer et al.	D8/68
D. 301,299	*	5/1989	Chapin	D8/68
D. 322,384	*	12/1991	Wan	D8/68
D. 333,079	*	2/1993	Mikiya	D8/68
D. 335,073	*	4/1993	Anthony et al.	D8/68
D. 340,396	*	10/1993	Ichikawa	D8/68
D. 342,430	*	12/1993	Saito et al.	D8/68
D. 360,814	*	8/1995	Kimata	D8/68
D. 380,951	*	7/1997	Zoiss	D8/68
D. 408,249	*	4/1999	Fallandy	D8/68

D. 424,902	*	5/2000	Gildersleeve et al.	D8/68
D. 436,510	*	1/2001	Bazayev et al.	D8/68
3,318,343	*	5/1967	Dryden	140/124
3,318,344	*	5/1967	Lamoureux	242/249.3
3,717,183	*	2/1973	Coss	140/124
3,903,936	*	9/1975	Bergmann	140/124
3,931,839	*	1/1976	Burman	140/124
3,949,944	*	4/1976	Bent	242/439.3
4,330,093	*	5/1982	Chapman, Jr.	242/439.3
4,633,921	*	1/1987	Kilmer	140/124
4,779,687	*	10/1988	Schreiber et al.	173/170
5,458,159	*	10/1995	Kilmer	140/122

* cited by examiner

Primary Examiner—Jeffrey Asch

(57) **CLAIM**

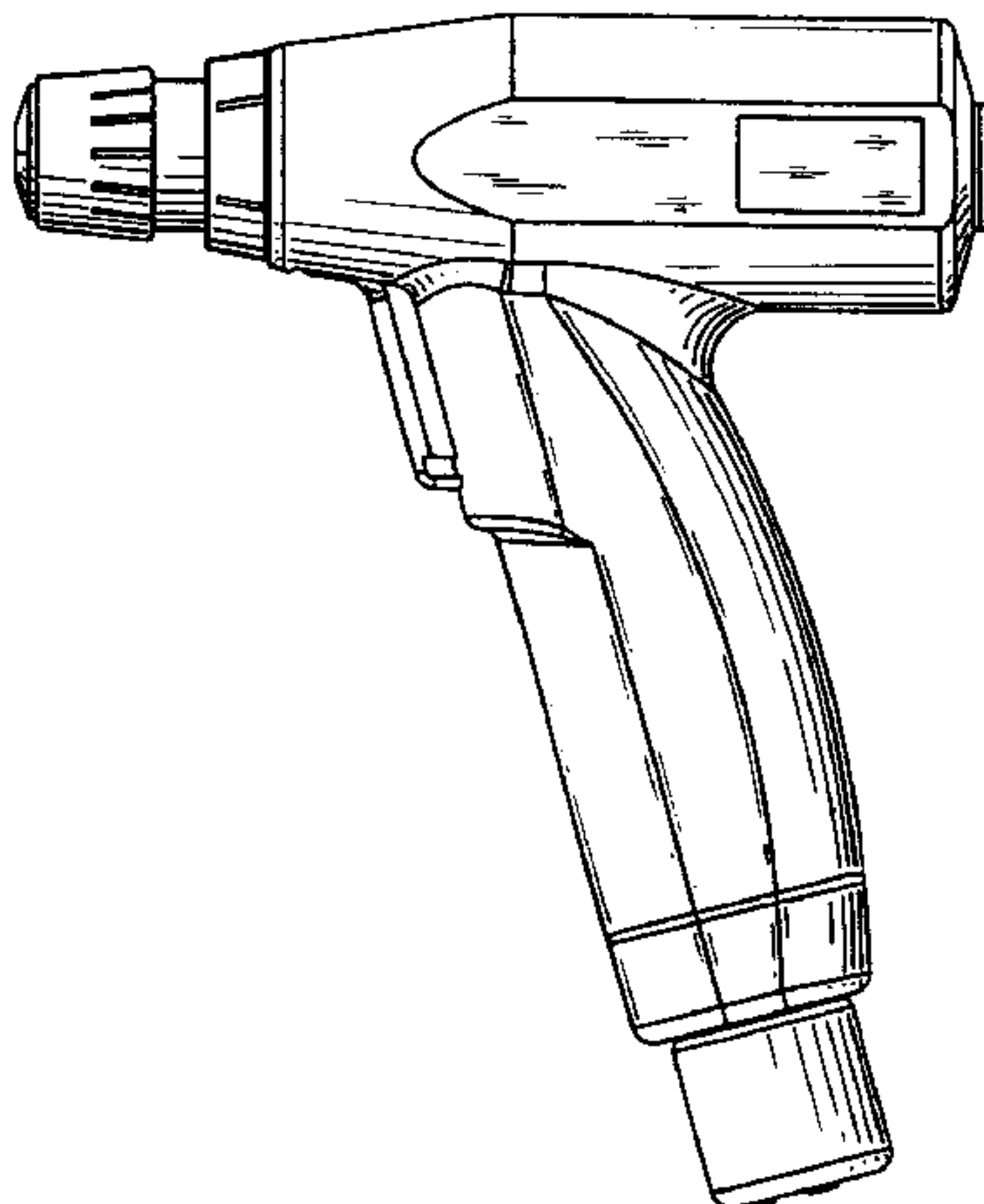
The ornamental design for a wire-wrap/unwrap hand tool, substantially as shown and described.

DESCRIPTION

FIG. 1 is a left side view of a first embodiment of a wire-wrap/unwrap hand tool according to the invention; FIG. 2 is a top plan view of the tool of FIG. 1; FIG. 3 is a bottom plan view of the tool of FIG. 1; FIG. 4 is a plan view of the front of the tool of FIG. 1, taken from the left side of FIG. 1; FIG. 5 is a plan view of the rear of the tool of FIG. 1, taken from the right side of FIG. 1; FIG. 6 is a plan view of the tool of FIG. 1 taken from the right side, the side opposite to the view of FIG. 1; and, FIG. 7 is a view similar to that of FIG. 1 but of a second embodiment. The only difference between the two embodiments is that the end of a battery shown protruding from the bottom of the gun handle of FIGS. 1-6 has been replaced by a line cord in FIG. 7. Otherwise, the body of the gun is identical.

The main difference between the design depicted in the present application and that depicted in the reference parent application is that the front part of the upper body has been modified. Otherwise, the designs are the same.

1 Claim, 2 Drawing Sheets



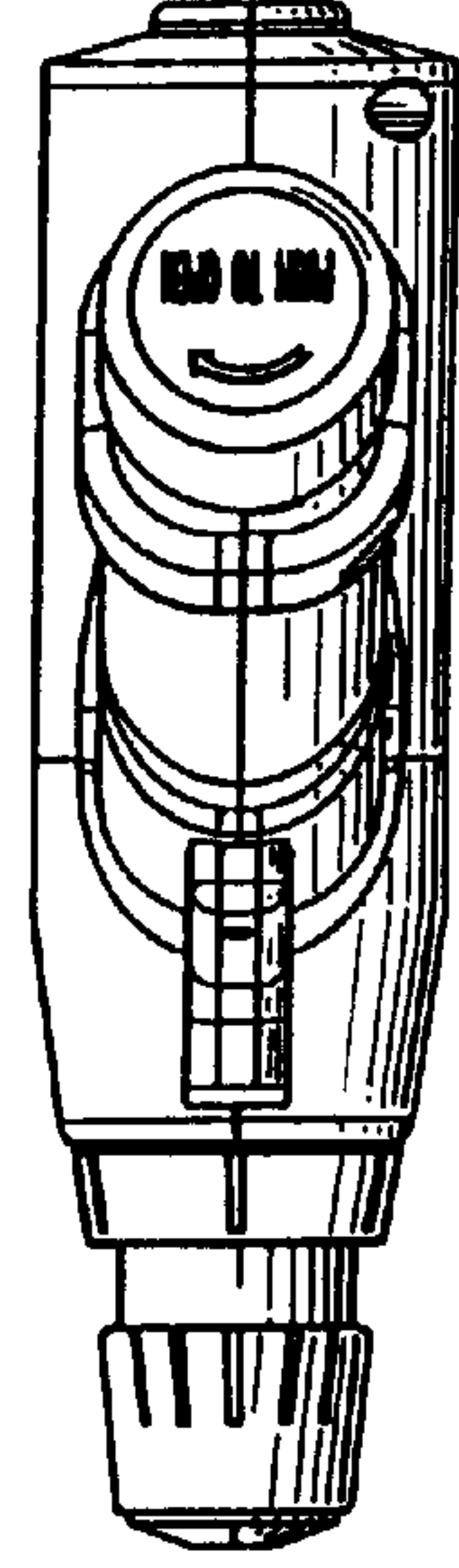
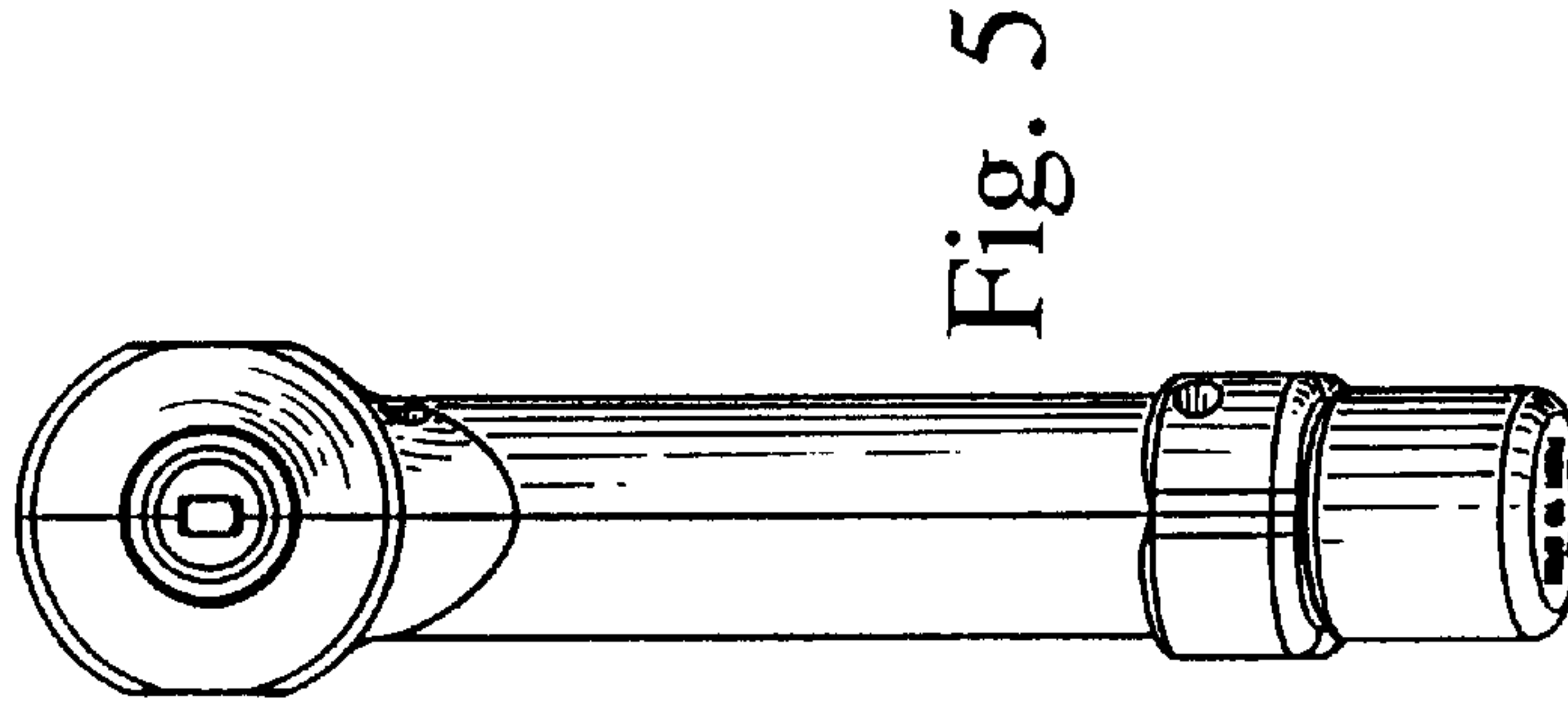
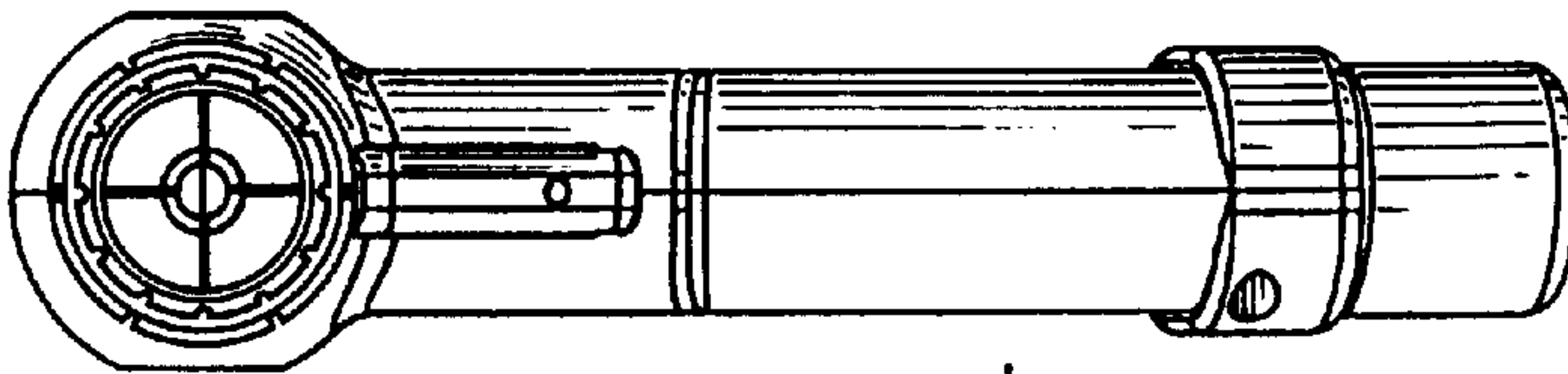
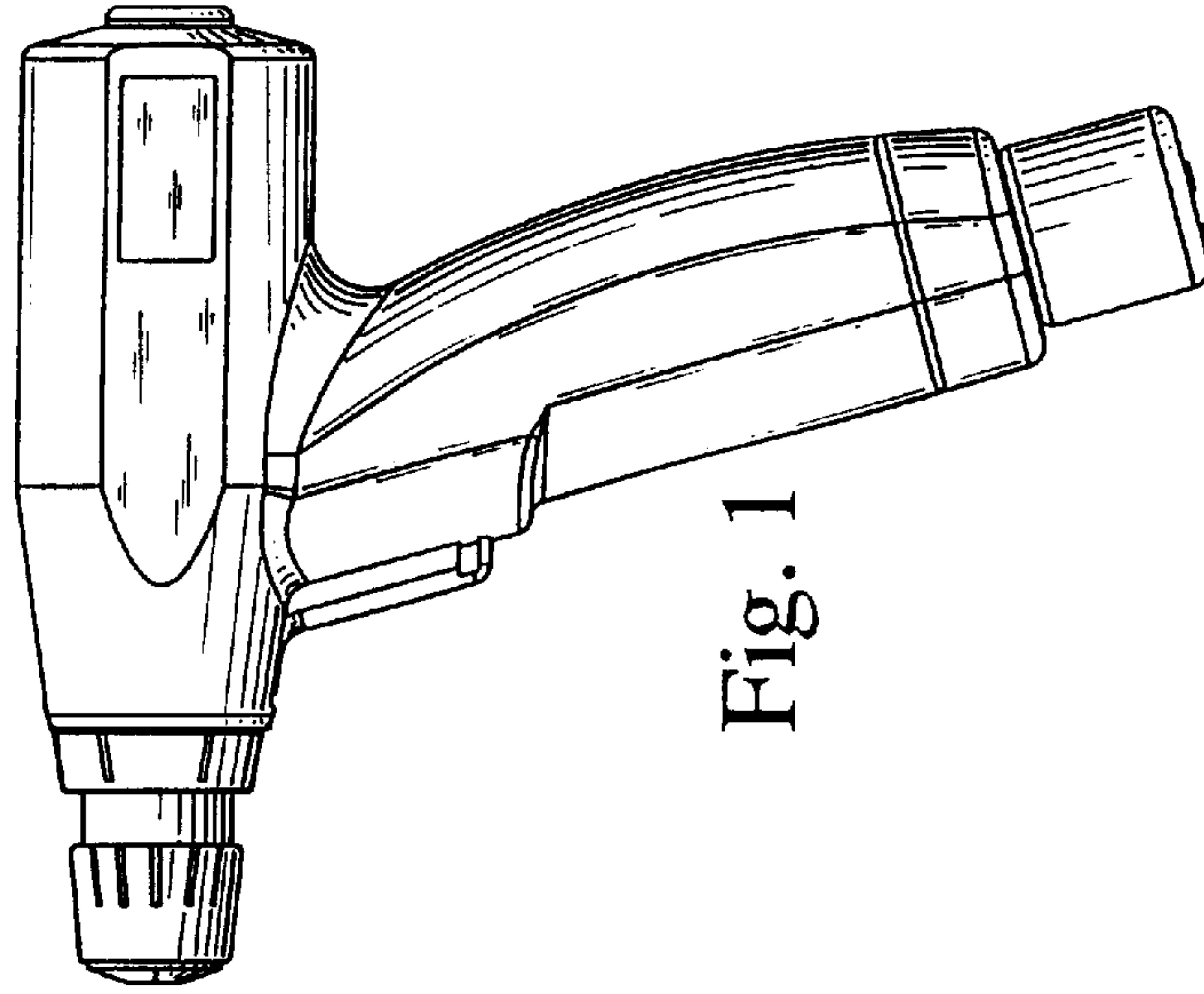
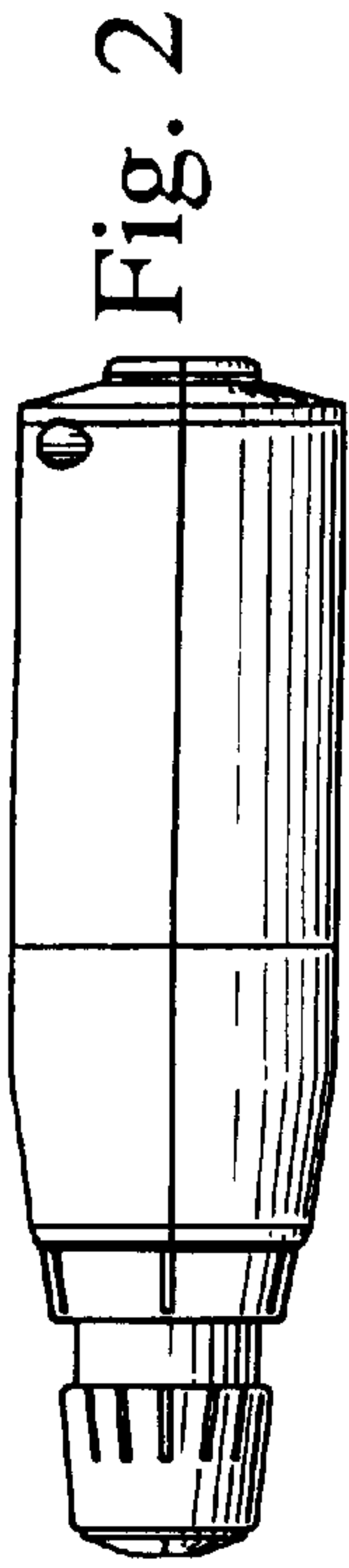


Fig. 4

Fig. 1

Fig. 5

Fig. 3

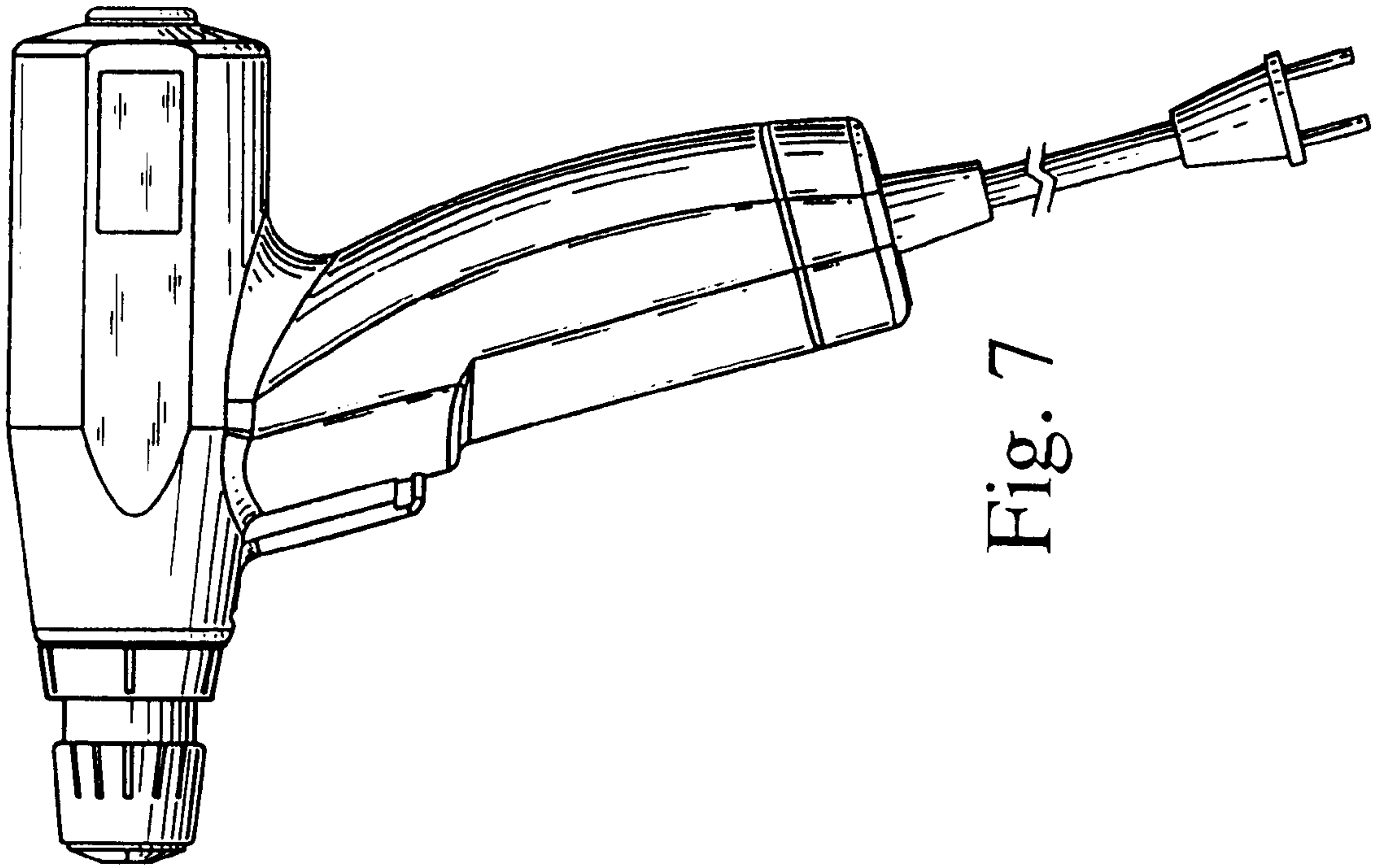


Fig. 7

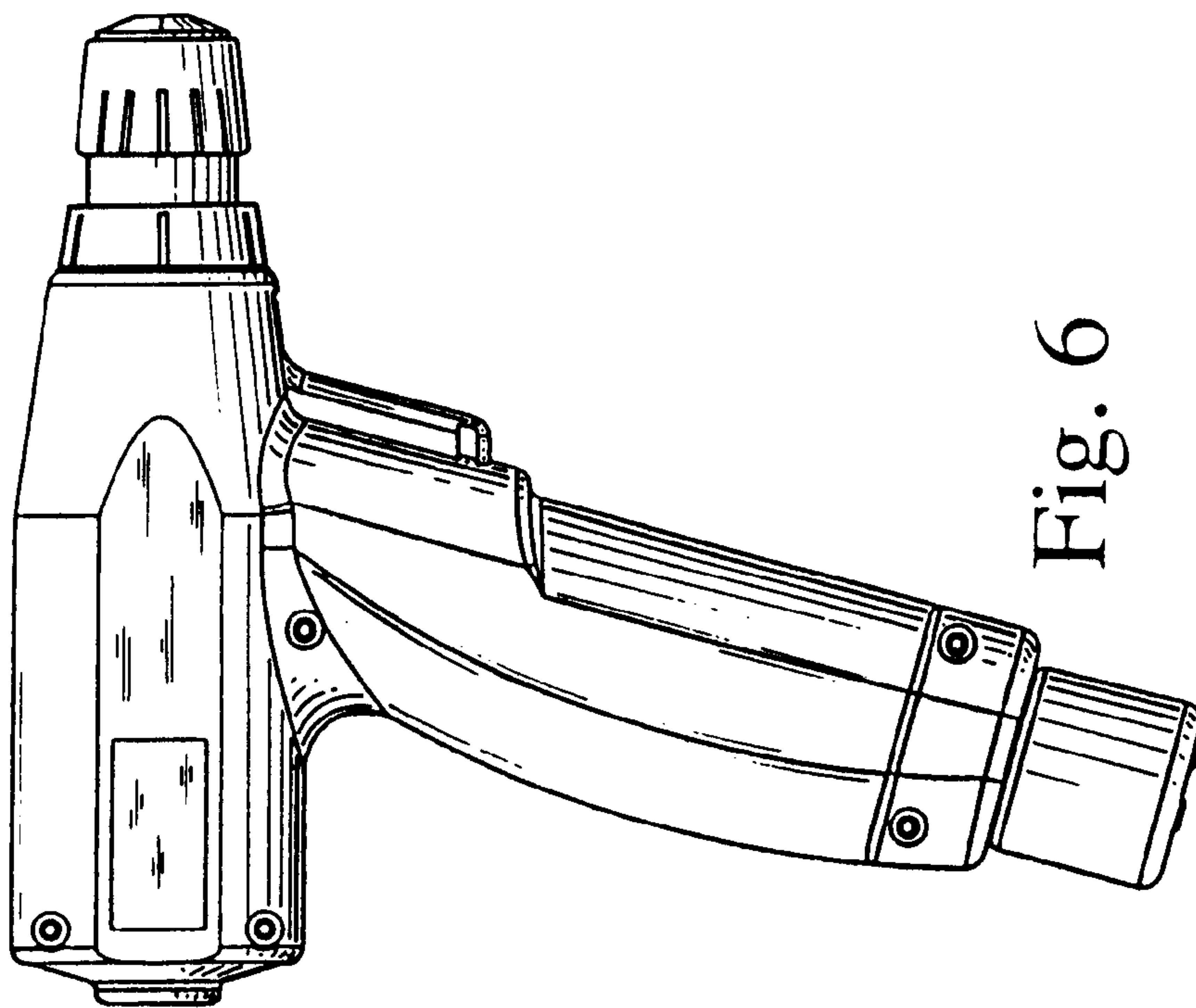


Fig. 6