



US00D447396B1

(12) **United States Design Patent**
Arns

(10) **Patent No.:** **US D447,396 S**

(45) **Date of Patent:** **** Sep. 4, 2001**

(54) **STAPLER**

(75) **Inventor:** **Stefan Arns, Stenkullen (SE)**

(73) **Assignee:** **Isaberg Rapid AB, Hestra (SE)**

(**) **Term:** **14 Years**

(21) **Appl. No.:** **29/126,248**

(22) **Filed:** **Jul. 10, 2000**

(30) **Foreign Application Priority Data**

Jan. 26, 2000 (GB) 2089844

(51) **LOC (7) Cl.** **19-02**

(52) **U.S. Cl.** **D8/50**

(58) **Field of Search** D8/49, 50; D19/72;
227/128, 132, 134, 156

(56) **References Cited**

U.S. PATENT DOCUMENTS

D. 264,925 * 6/1982 Bass et al. D8/50

D. 319,563 * 9/1991 Rosenblad D8/50
D. 355,822 * 2/1995 Smith D8/50
D. 361,486 * 8/1995 Yang D8/50
D. 367,414 * 2/1996 Chi D8/50
5,492,261 * 2/1996 Chi 227/128
5,692,667 * 12/1997 Chi 227/134

* cited by examiner

Primary Examiner—Adir Aronovich

(74) *Attorney, Agent, or Firm*—Miles & Stockbridge P.C.

(57) **CLAIM**

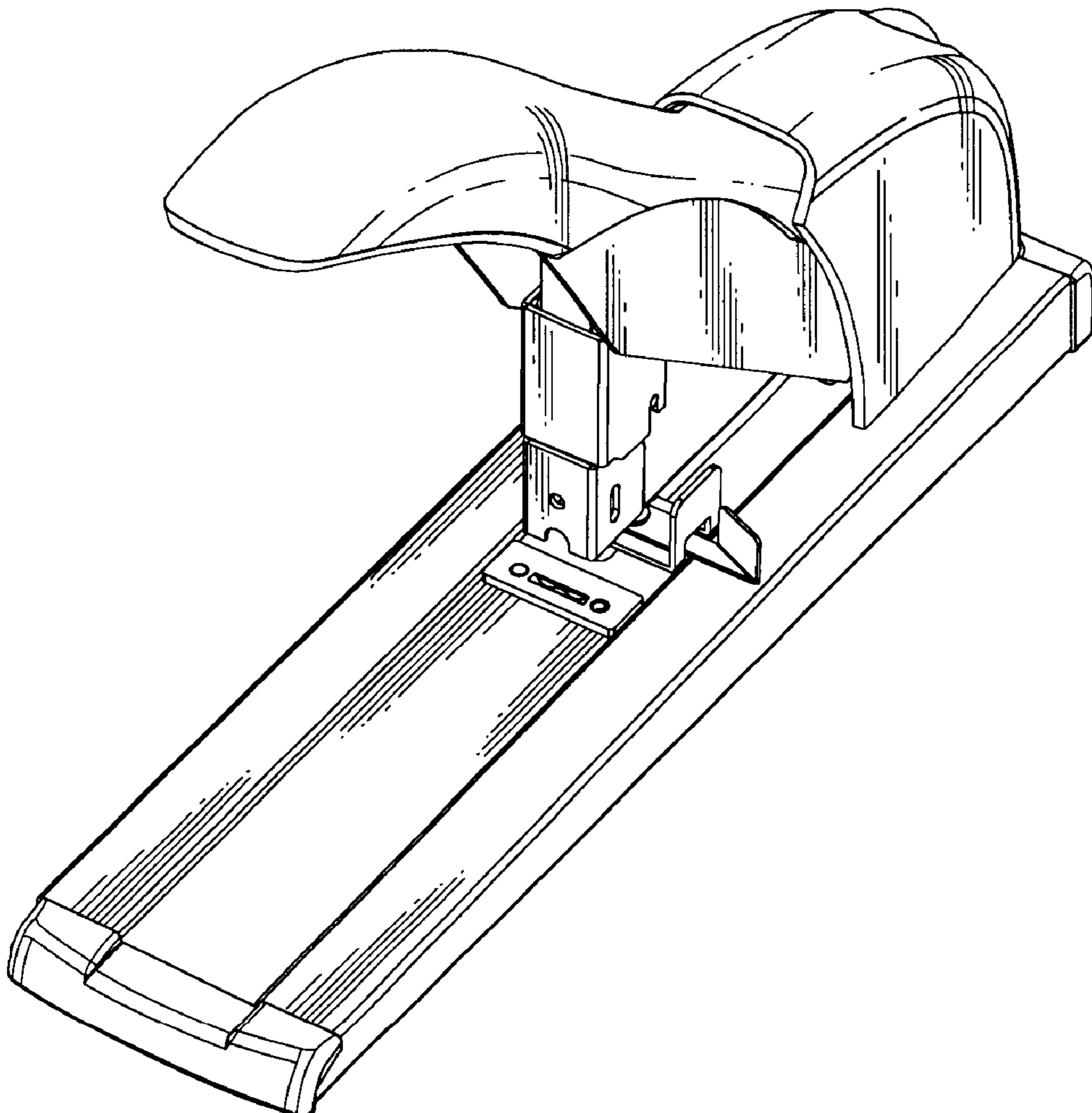
The ornamental design for a stapler, as shown and described.

DESCRIPTION

FIG. 1 is a perspective view showing the top side, the left side and the front of the stapler according to the invention; and,

FIG. 2 is a perspective view showing the top side, the right side and the rear side of the stapler.

1 Claim, 1 Drawing Sheet



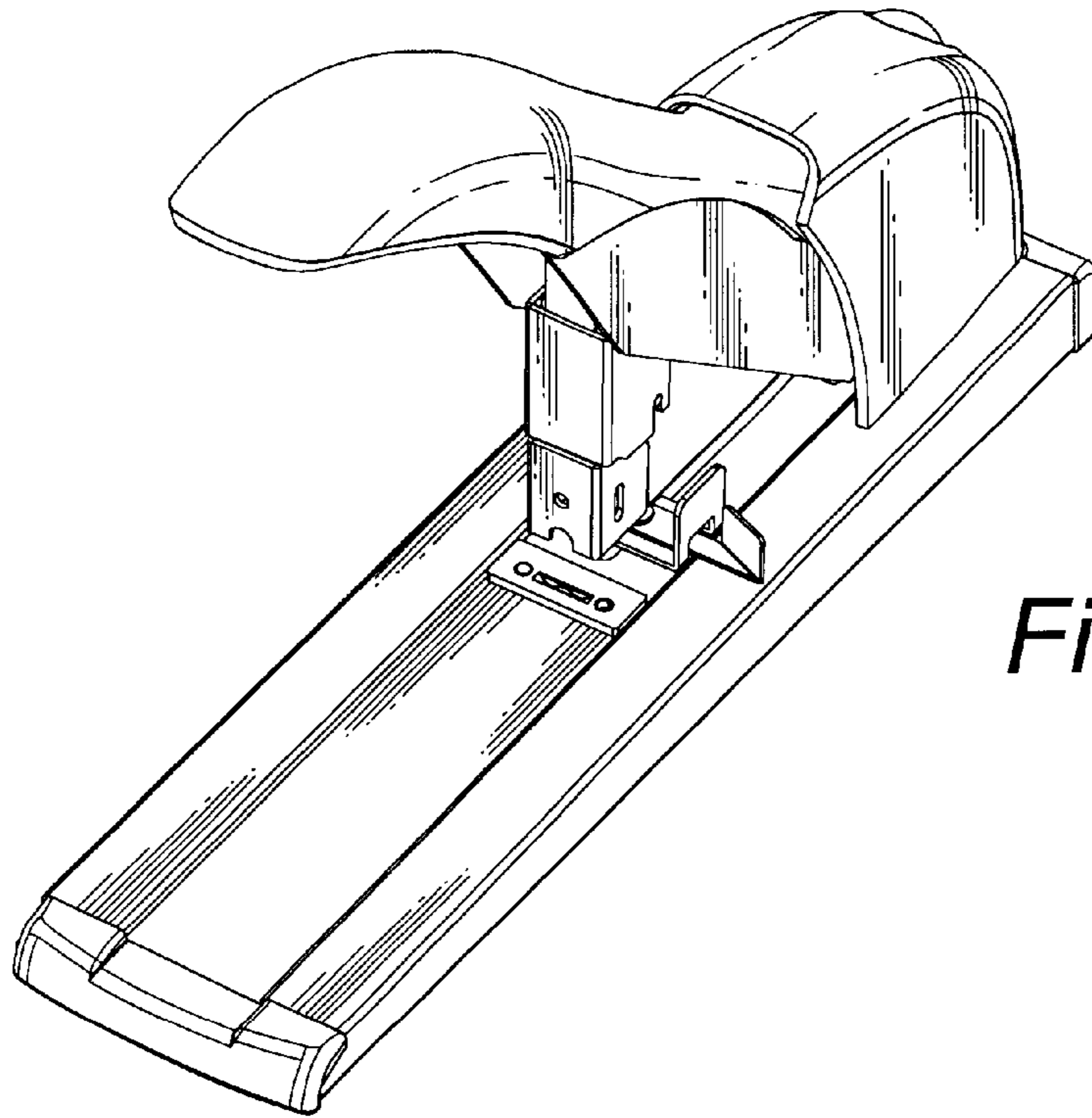


Fig. 1

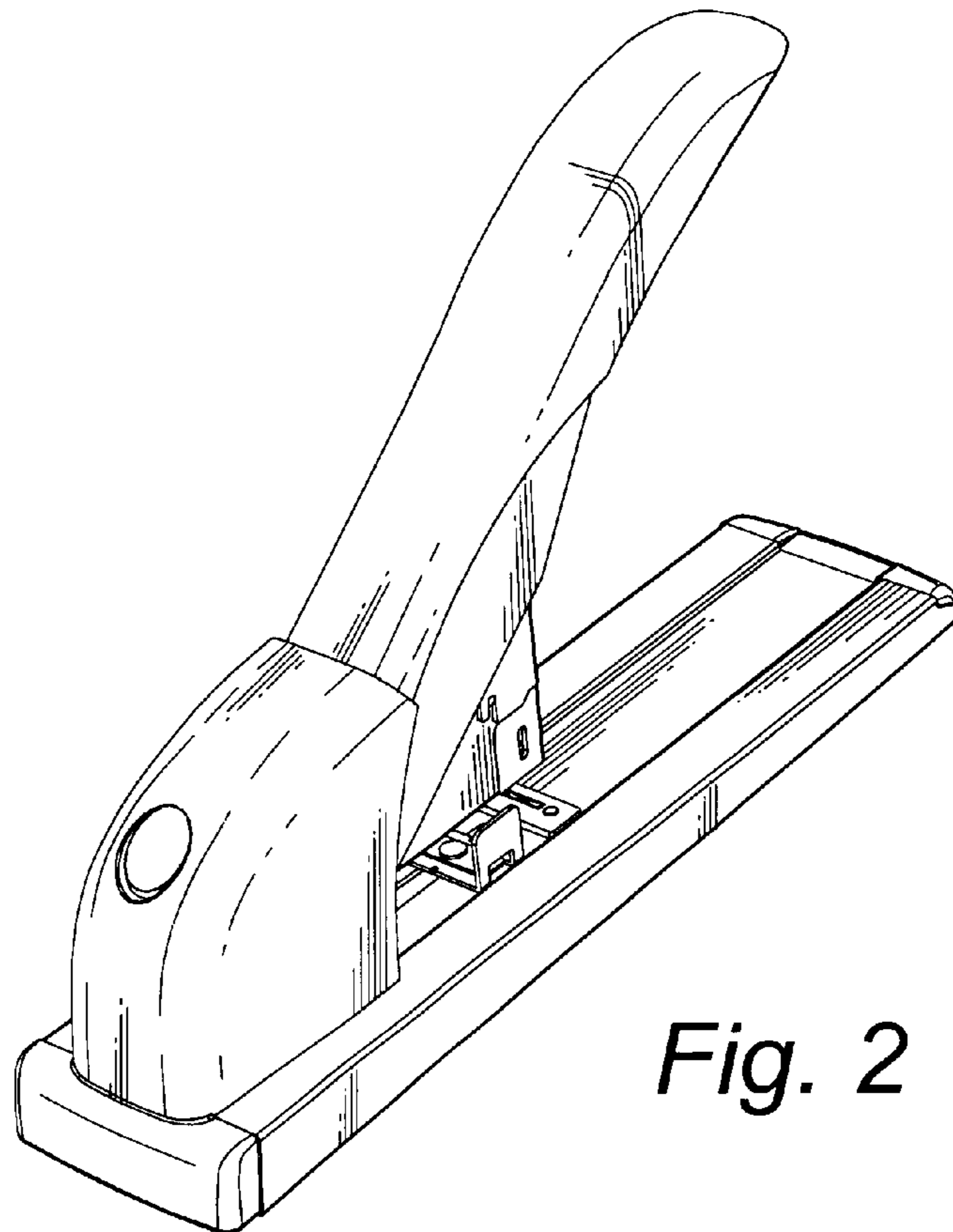


Fig. 2