



US00D447391B1

(12) **United States Design Patent**
Bodum

(10) **Patent No.:** **US D447,391 S**

(45) **Date of Patent:** **** Sep. 4, 2001**

(54) **PARMESAN GRATER**

(75) Inventor: **Jørgen Bodum, Niklausen (CH)**

(73) Assignee: **PI-Design AG, Triengen (CH)**

(**) Term: **14 Years**

(21) Appl. No.: **29/130,706**

(22) Filed: **Oct. 10, 2000**

(30) **Foreign Application Priority Data**

Apr. 12, 2000 (DK) MA 2000 00438

(51) **LOC (7) Cl.** **07-04**

(52) **U.S. Cl.** **D7/678**

(58) **Field of Search** D7/678; 241/93,
241/95, 168, 169.1, 273.1-273.4

(56) **References Cited**

U.S. PATENT DOCUMENTS

- D. 331,687 * 12/1992 Gilbert D7/678
- 2,087,101 * 7/1937 Cerracchio 241/95
- 2,615,486 * 10/1952 Marcus 241/168

- 2,720,234 * 10/1955 Fett 241/273.1
- 4,212,431 * 7/1980 Doyel 241/273.1 X
- 4,805,843 * 2/1989 Draper D7/678 X

* cited by examiner

Primary Examiner—Terry A. Wallace

(74) *Attorney, Agent, or Firm*—Nath & Associates PLLC;
Gary M. Nath; Marvin C. Berkowitz

(57) **CLAIM**

The ornamental design for a parmesan grater, as shown and described.

DESCRIPTION

FIG. 1 is an oblique perspective view of the parmesan grater; FIG. 2 is a right side view of the parmesan grater, as shown in FIG. 1;

FIG. 3 is a left side view of the parmesan grater; FIG. 4 is a front side view of the parmesan grater; FIG. 5 is a back side view of the parmesan grater; FIG. 6 is a top view of the parmesan grater; and, FIG. 7 is a bottom view of the parmesan grater.

1 Claim, 7 Drawing Sheets

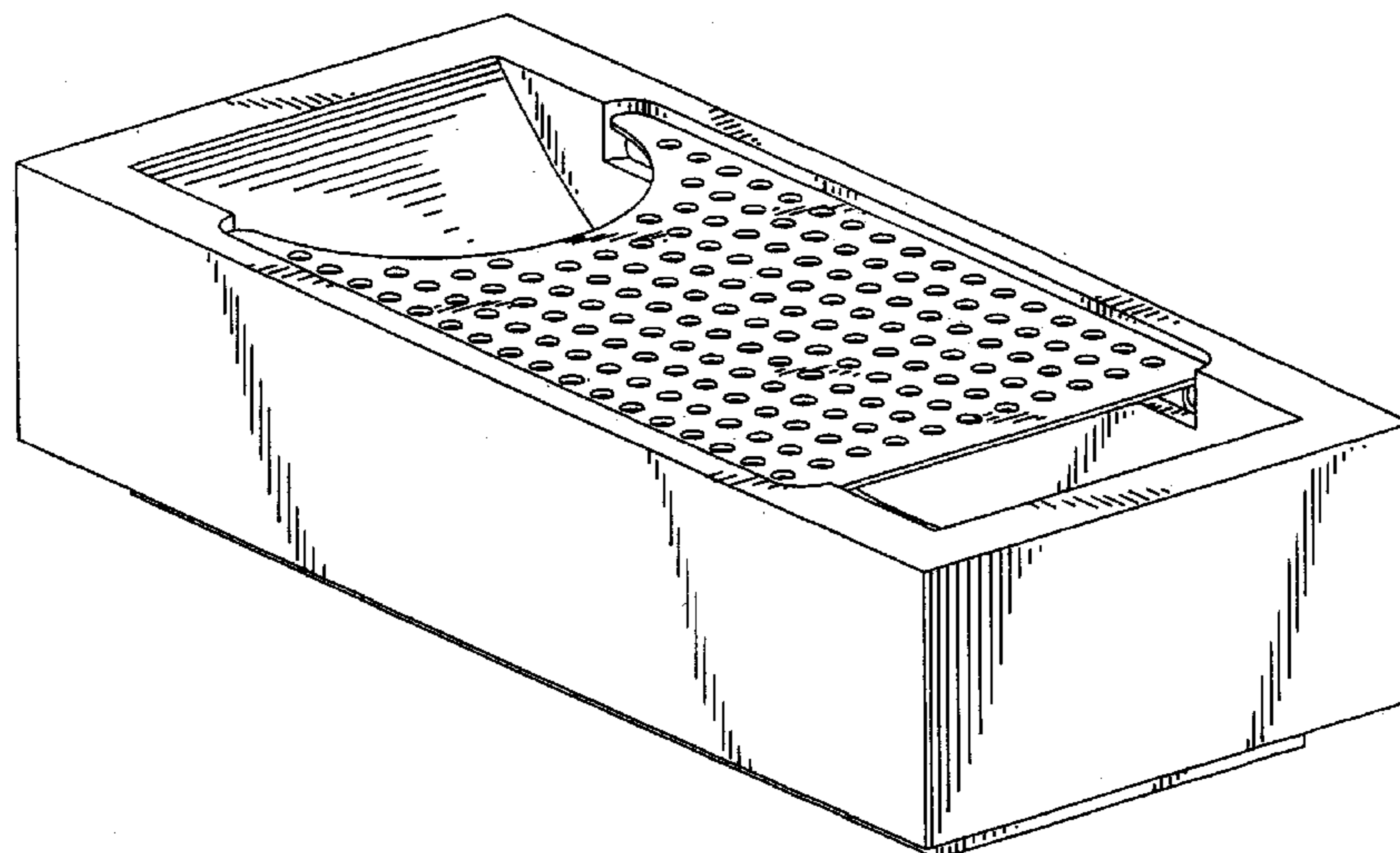
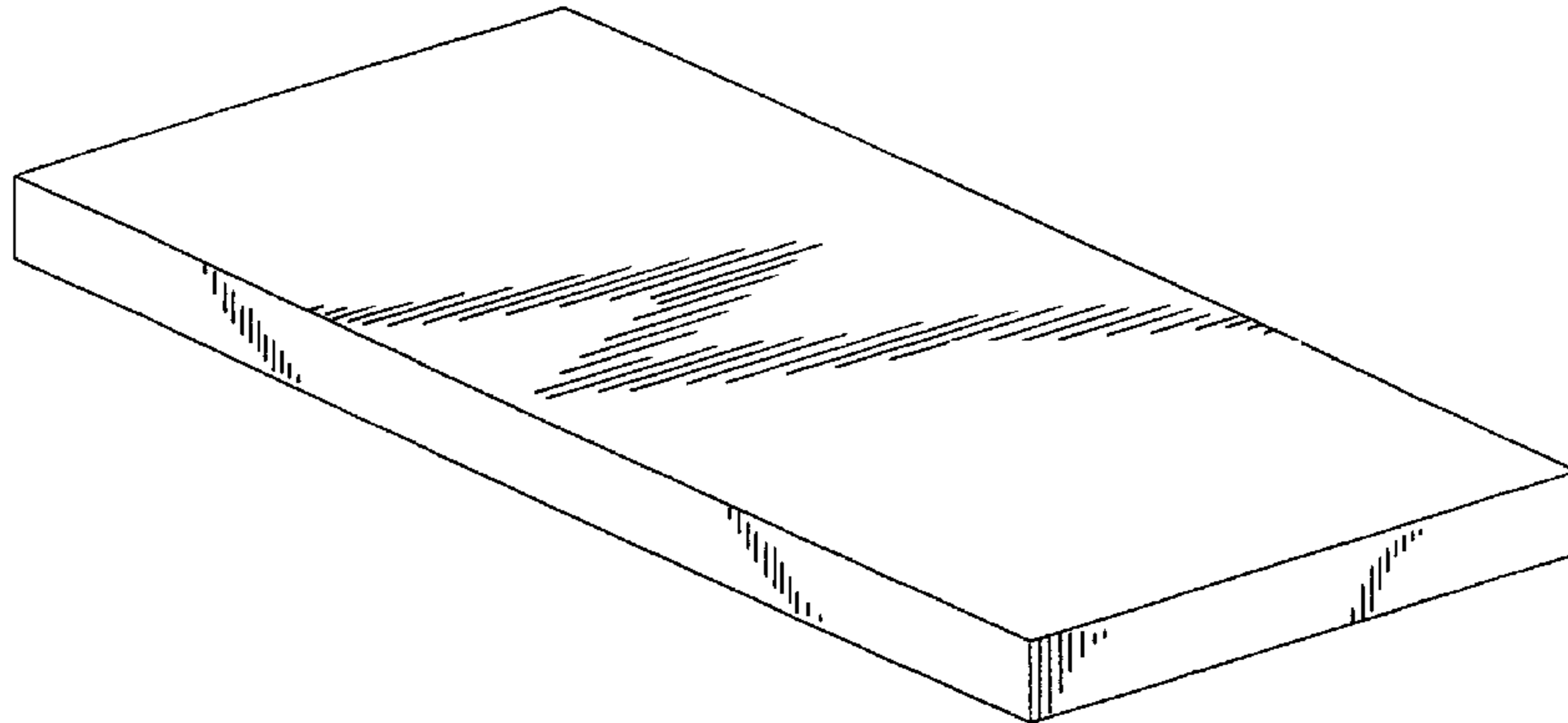
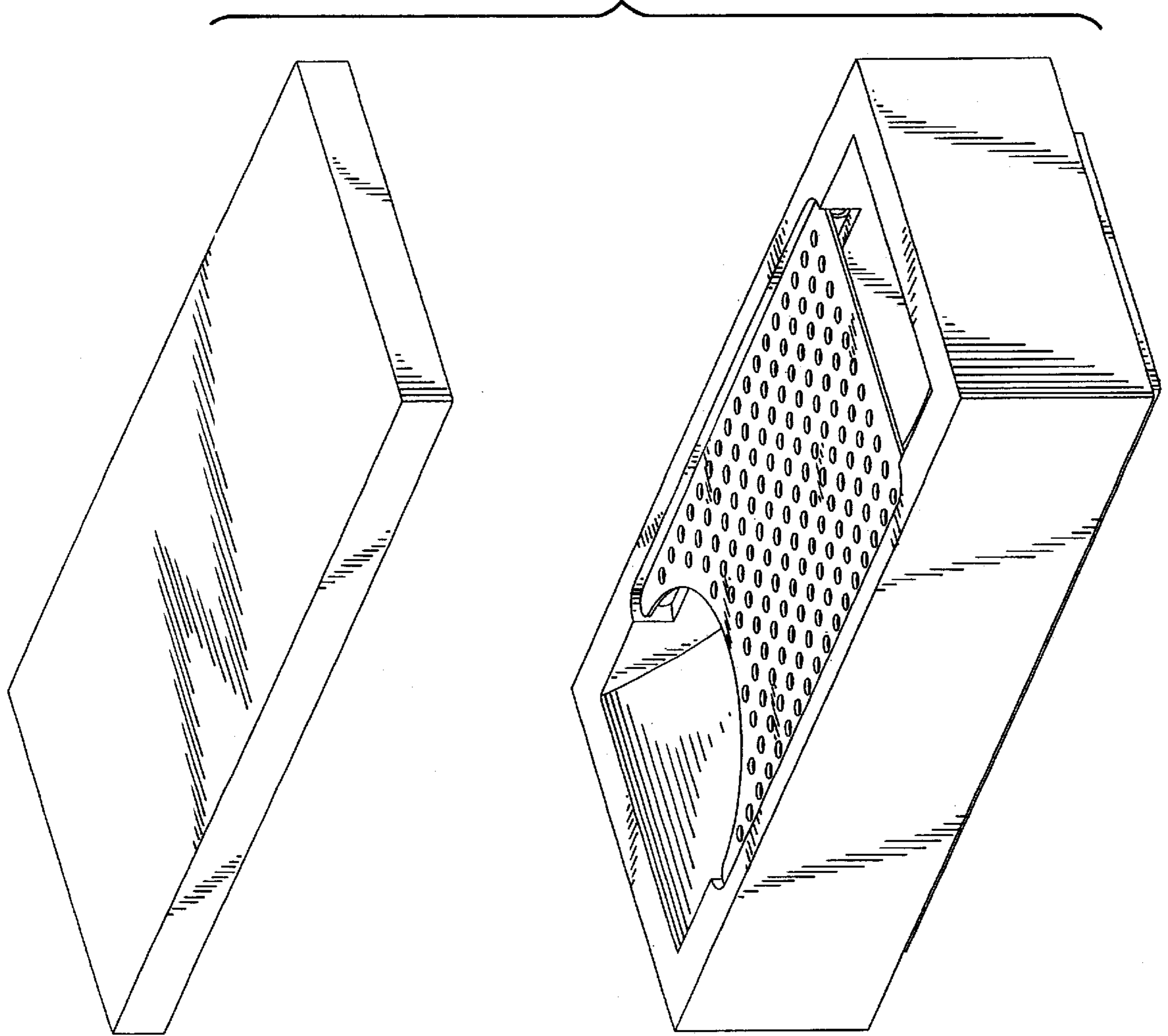


FIG. 1



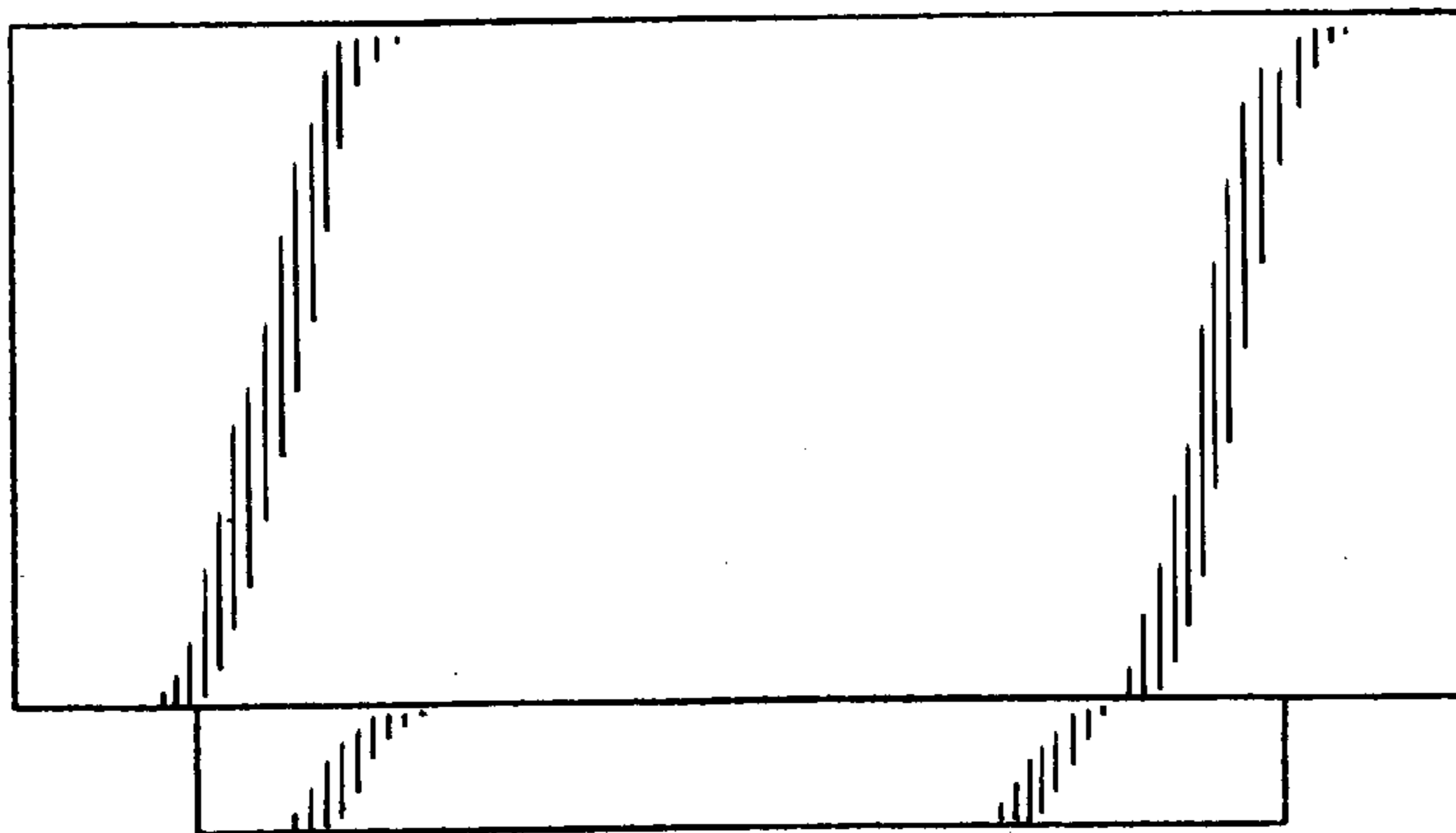


FIG. 2

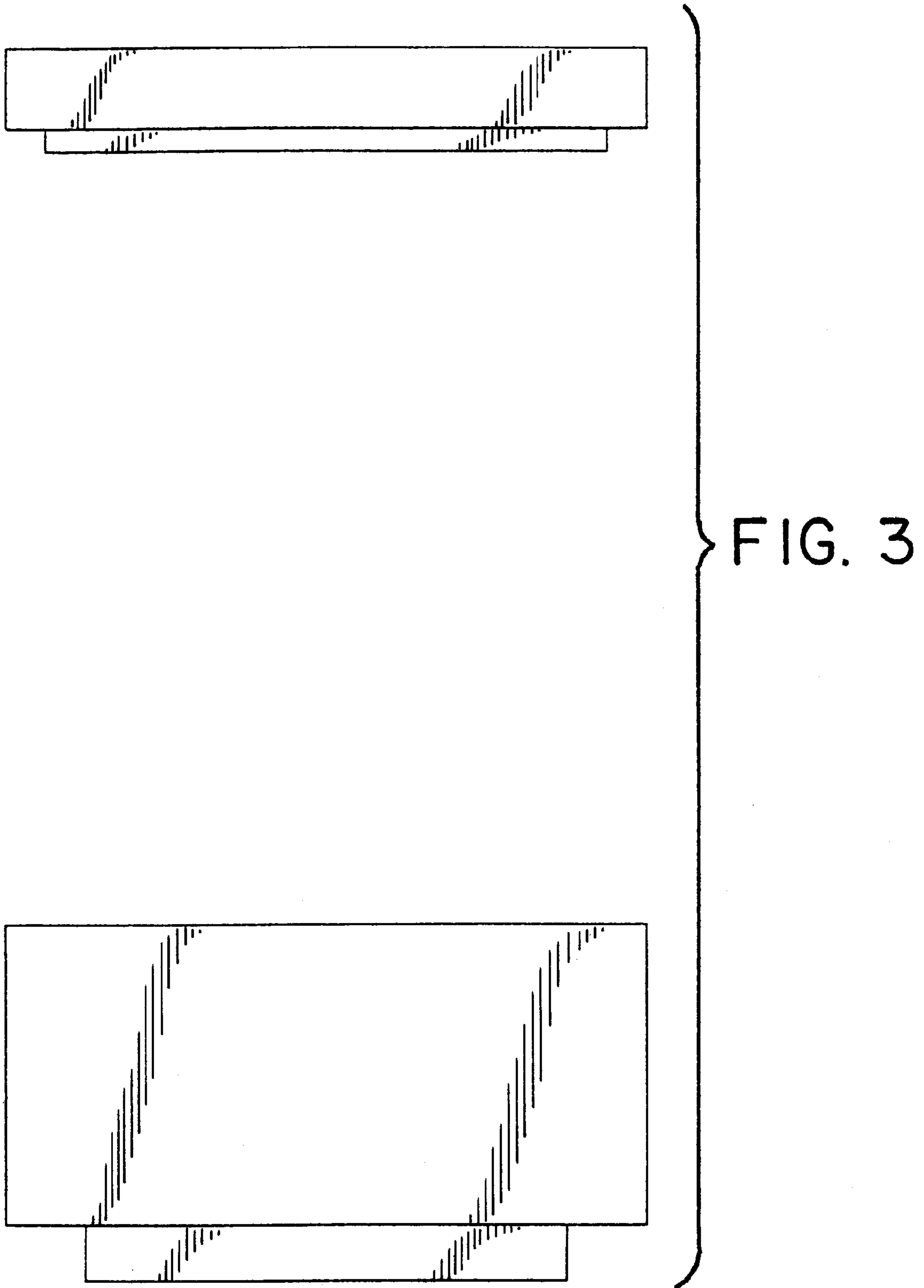


FIG. 4

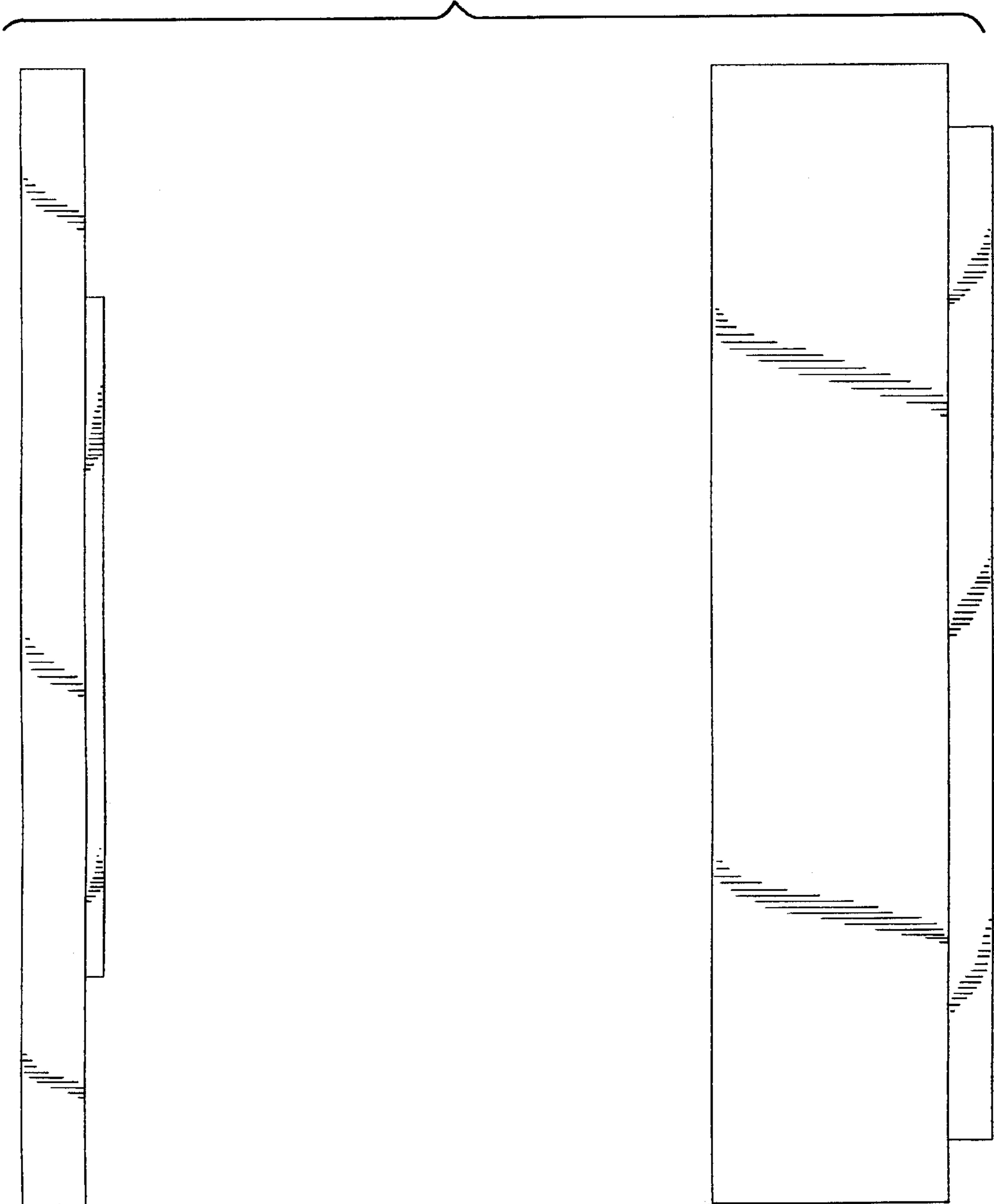


FIG. 5

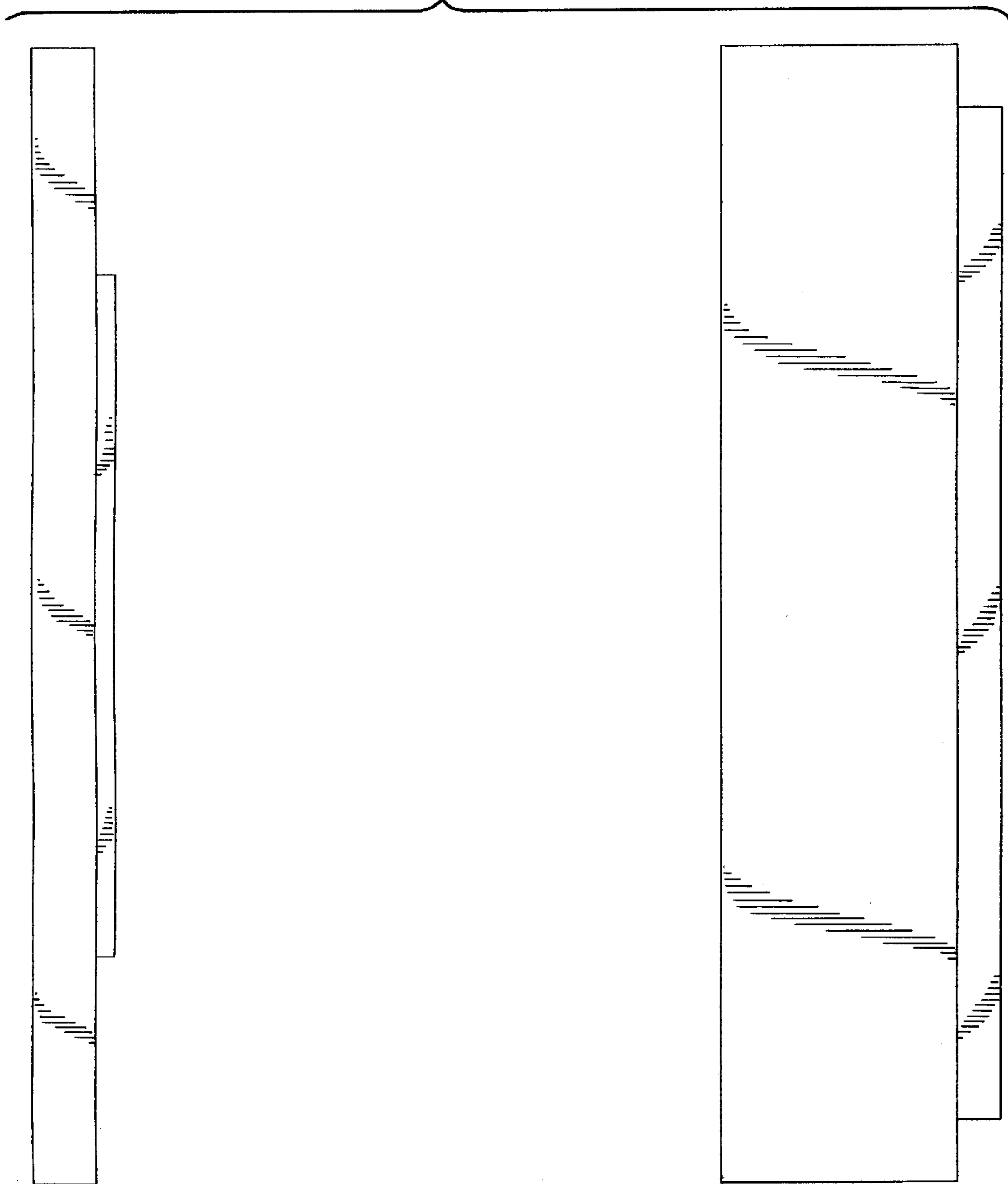


FIG. 6

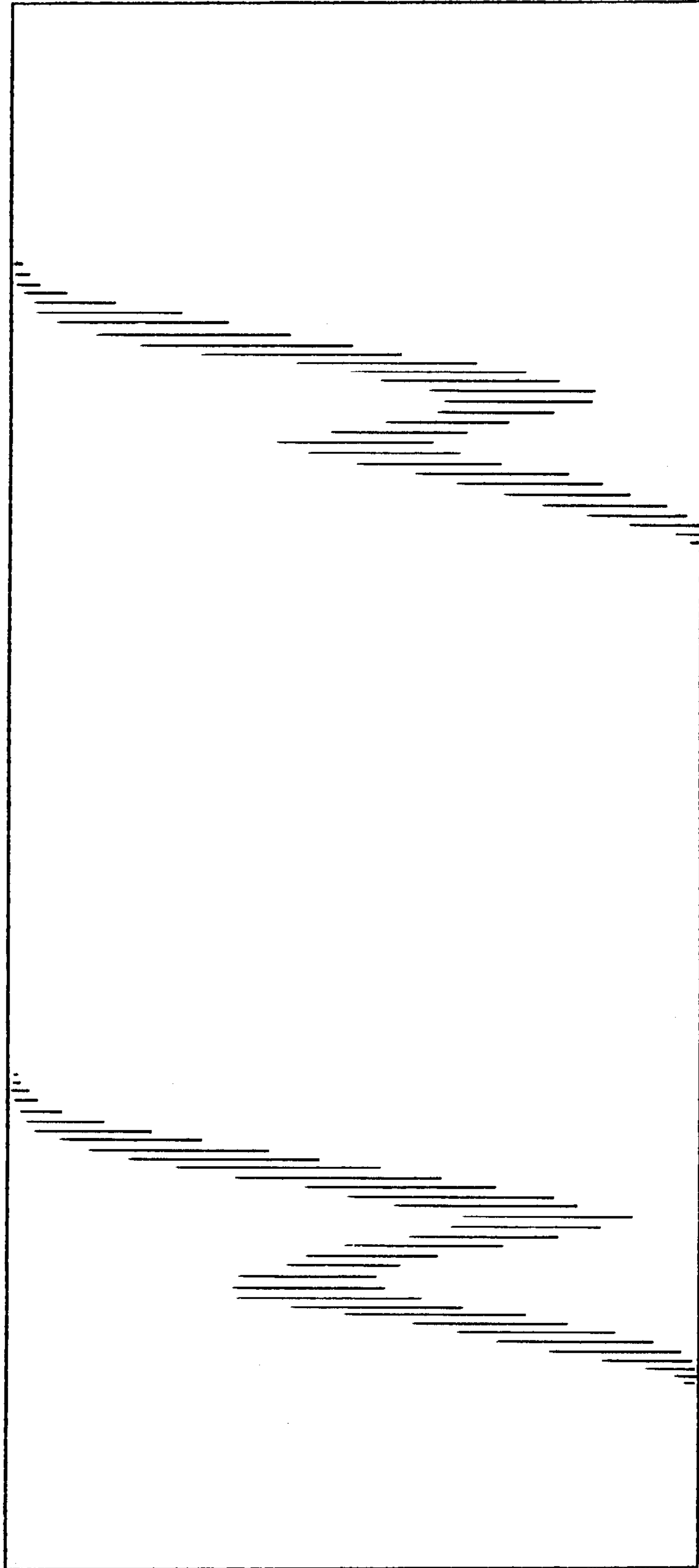


FIG. 7

