



US00D447390B1

(12) **United States Design Patent**
Lee

(10) **Patent No.:** **US D447,390 S**

(45) **Date of Patent:** **** Sep. 4, 2001**

(54) **JUICE EXTRACTOR**

(76) Inventor: **Ming-Hsiang Lee**, No. 4, Lane 263,
Sec. 2, Chien-Kang Rd., Tainan City
(TW)

(**) Term: **14 Years**

(21) Appl. No.: **29/129,320**

(22) Filed: **Sep. 12, 2000**

(51) **LOC (7) Cl.** **07-04**

(52) **U.S. Cl.** **D7/666**

(58) **Field of Search** D7/665, 666; 99/495,
99/501-508; 100/110, 125, 131-135, 213,
283

(56) **References Cited**

U.S. PATENT DOCUMENTS

D. 92,537	*	6/1934	Johnson	D7/666
D. 304,140	*	10/1989	Li	D7/666
D. 370,837	*	6/1996	Lee	D7/666
D. 422,184	*	4/2000	Kao	D7/666

2,090,913	*	8/1937	Johnson	100/125
2,151,500	*	3/1939	Cecil	100/131 X
2,703,522	*	3/1955	Smith	100/213 X

* cited by examiner

Primary Examiner—Terry A. Wallace

(74) *Attorney, Agent, or Firm*—Jenkins & Gilchrist, P.C.

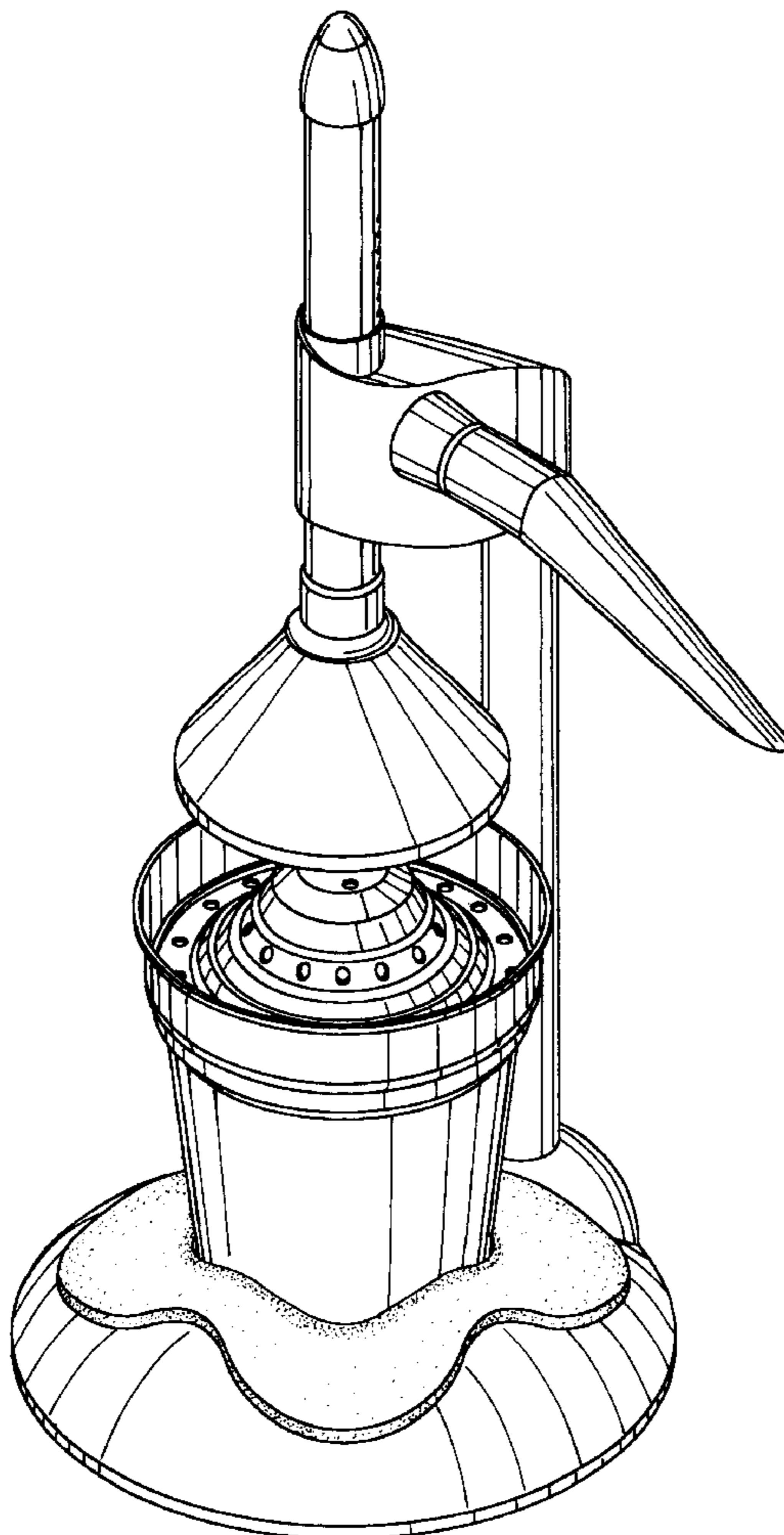
(57) **CLAIM**

The ornamental design for juice extractor, as shown and described.

DESCRIPTION

FIG. 1 is a perspective view of juice extractor showing my new design;
FIG. 2 is a front elevational view thereof;
FIG. 3 is a rear elevational view thereof;
FIG. 4 is a left side elevational view thereof;
FIG. 5 is a right side elevational view thereof;
FIG. 6 is a top plan view thereof; and,
FIG. 7 is a bottom plan view thereof.

1 Claim, 6 Drawing Sheets



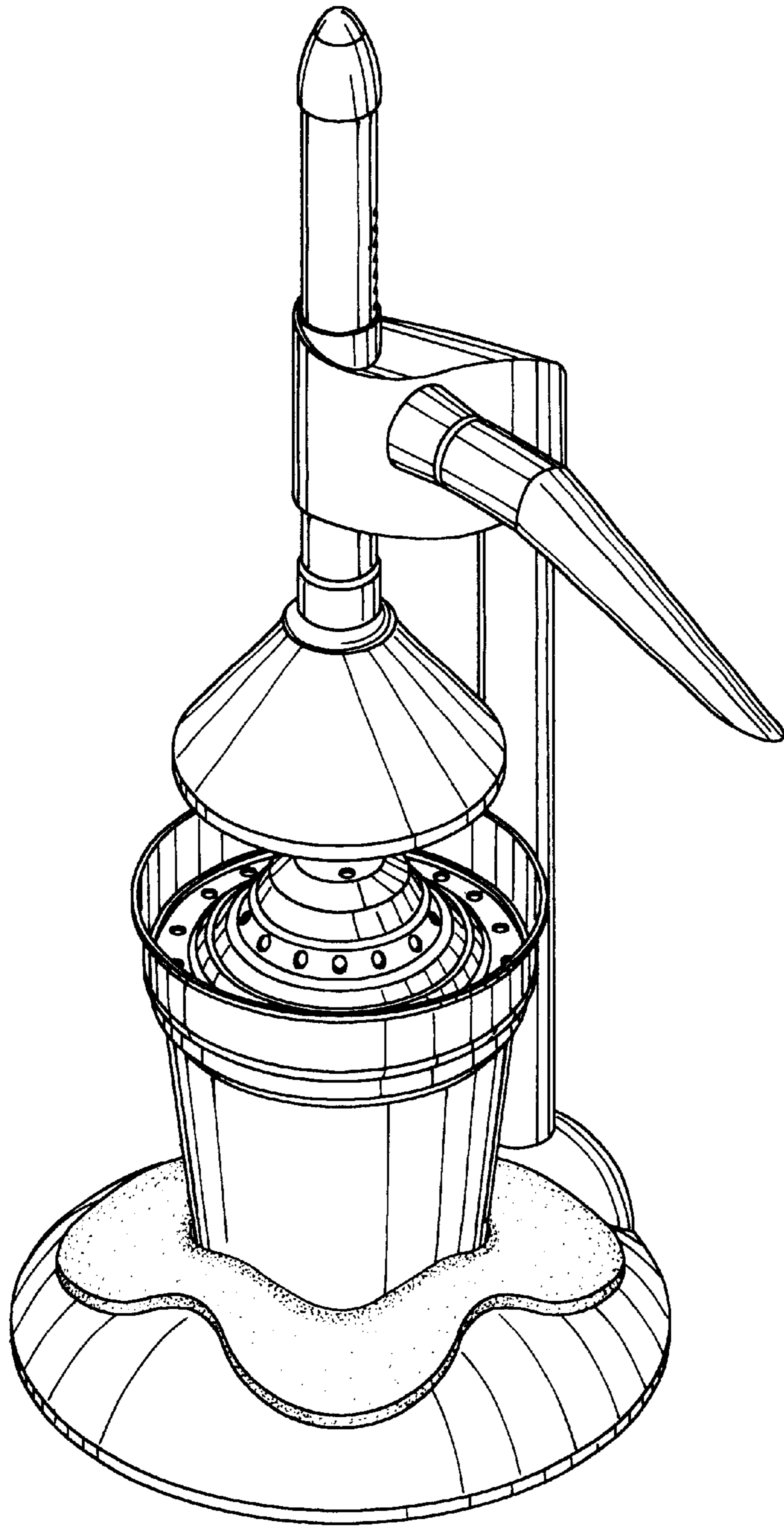


FIG. 1

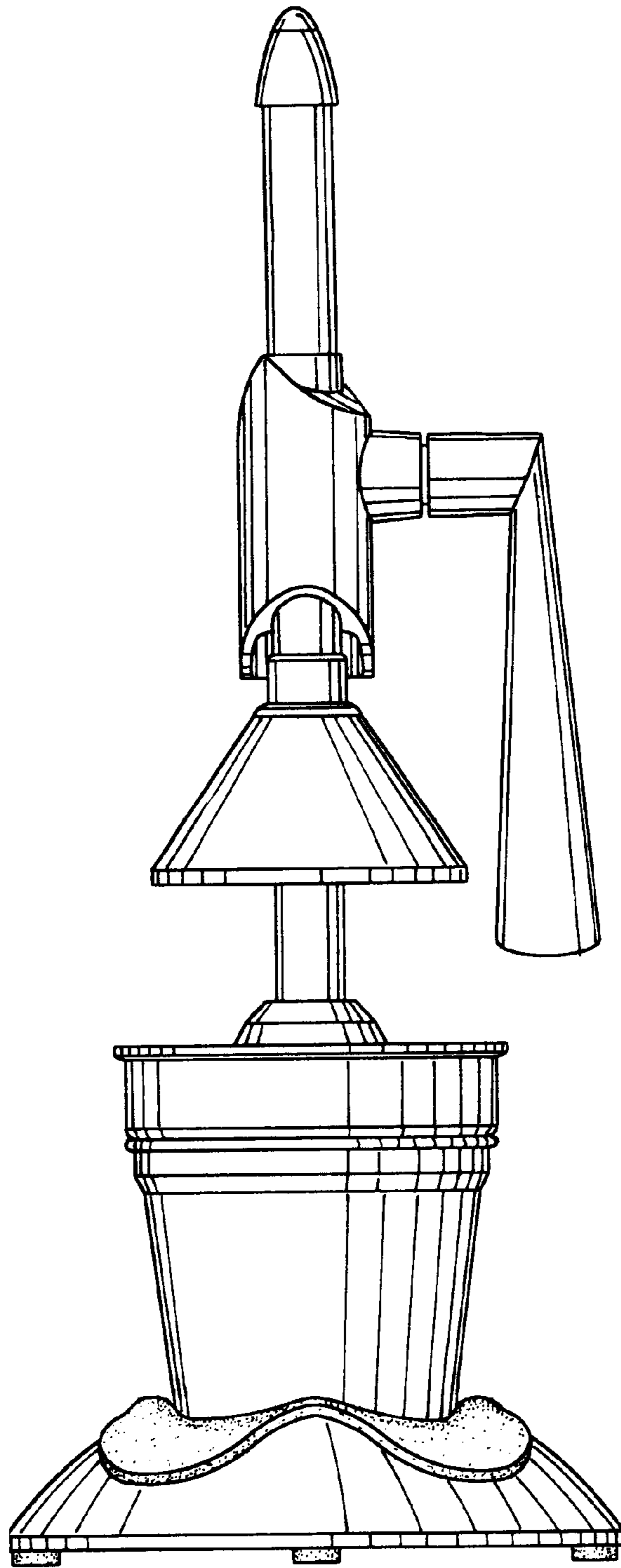


FIG. 2

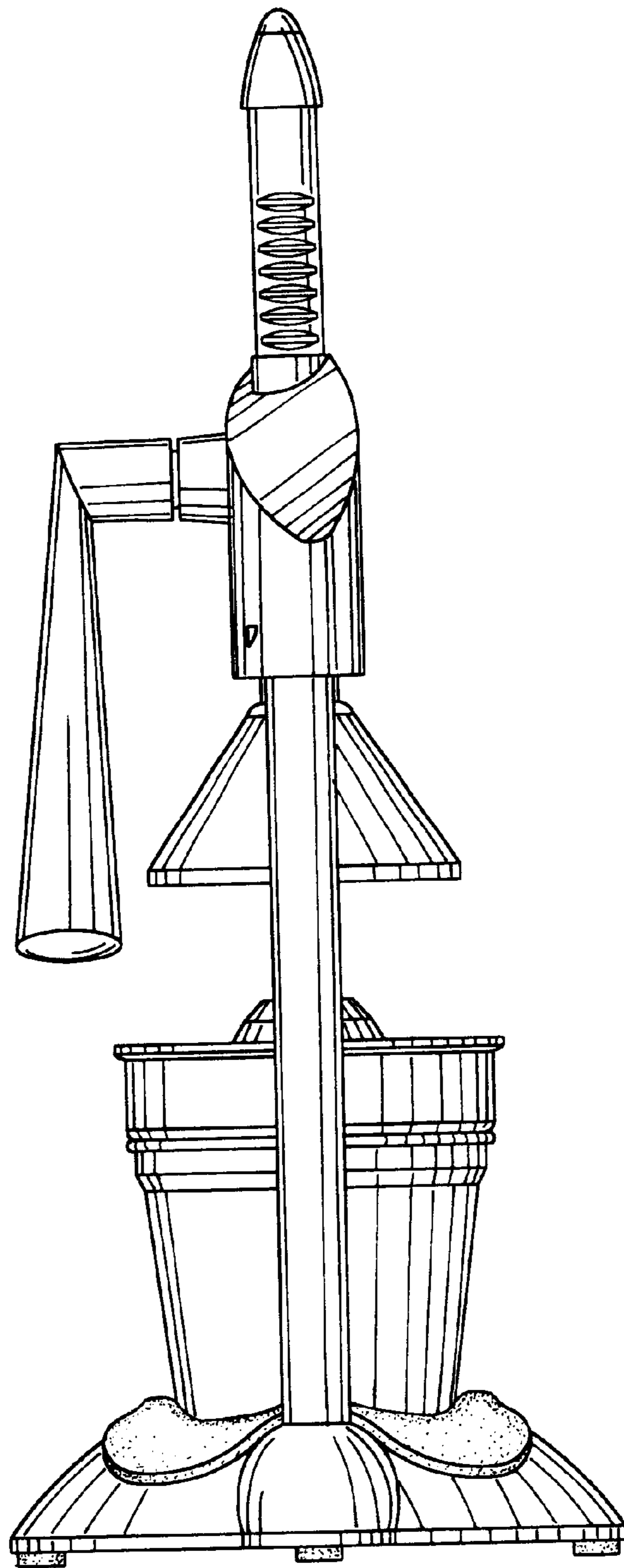


FIG. 3

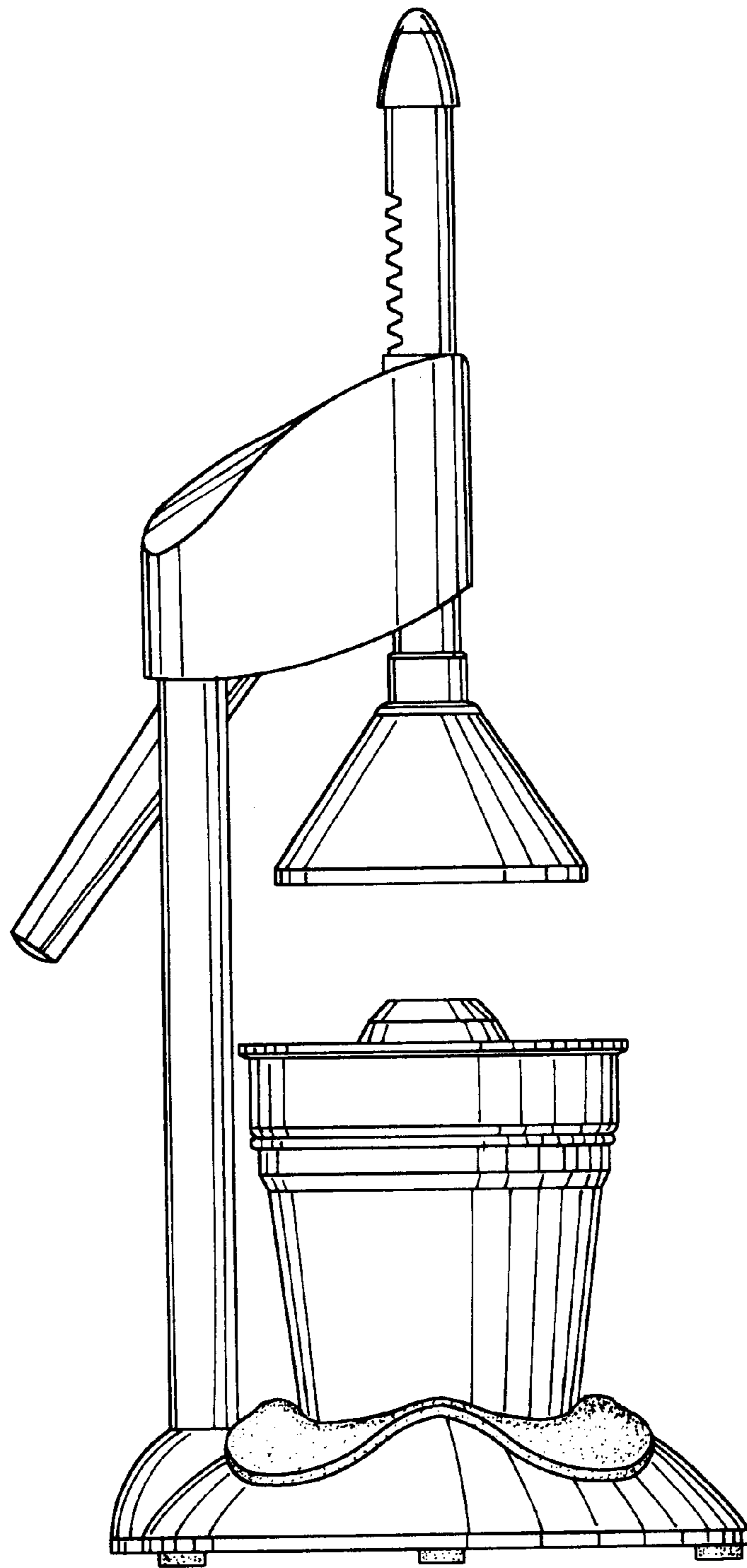


FIG. 4

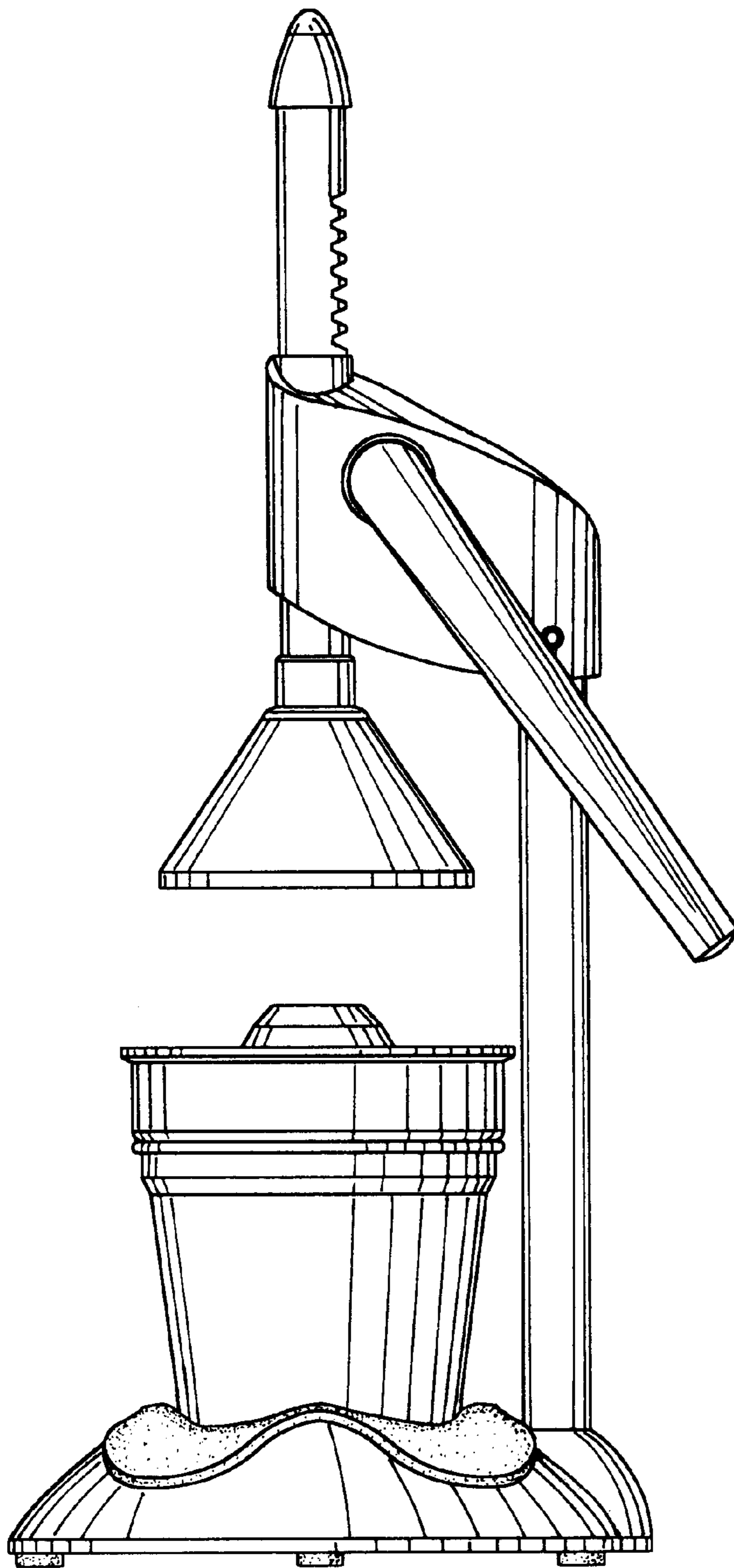


FIG. 5

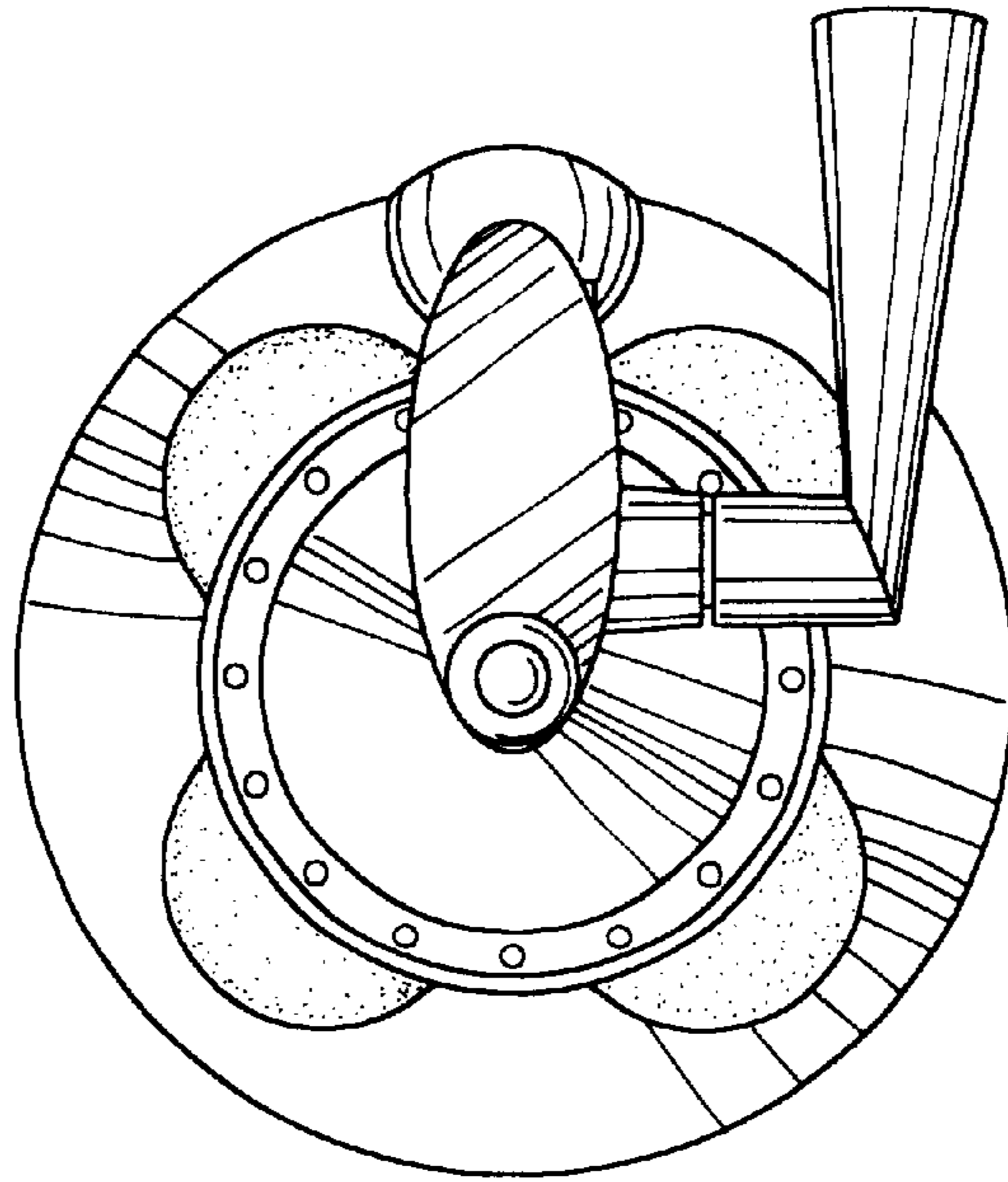


FIG. 6

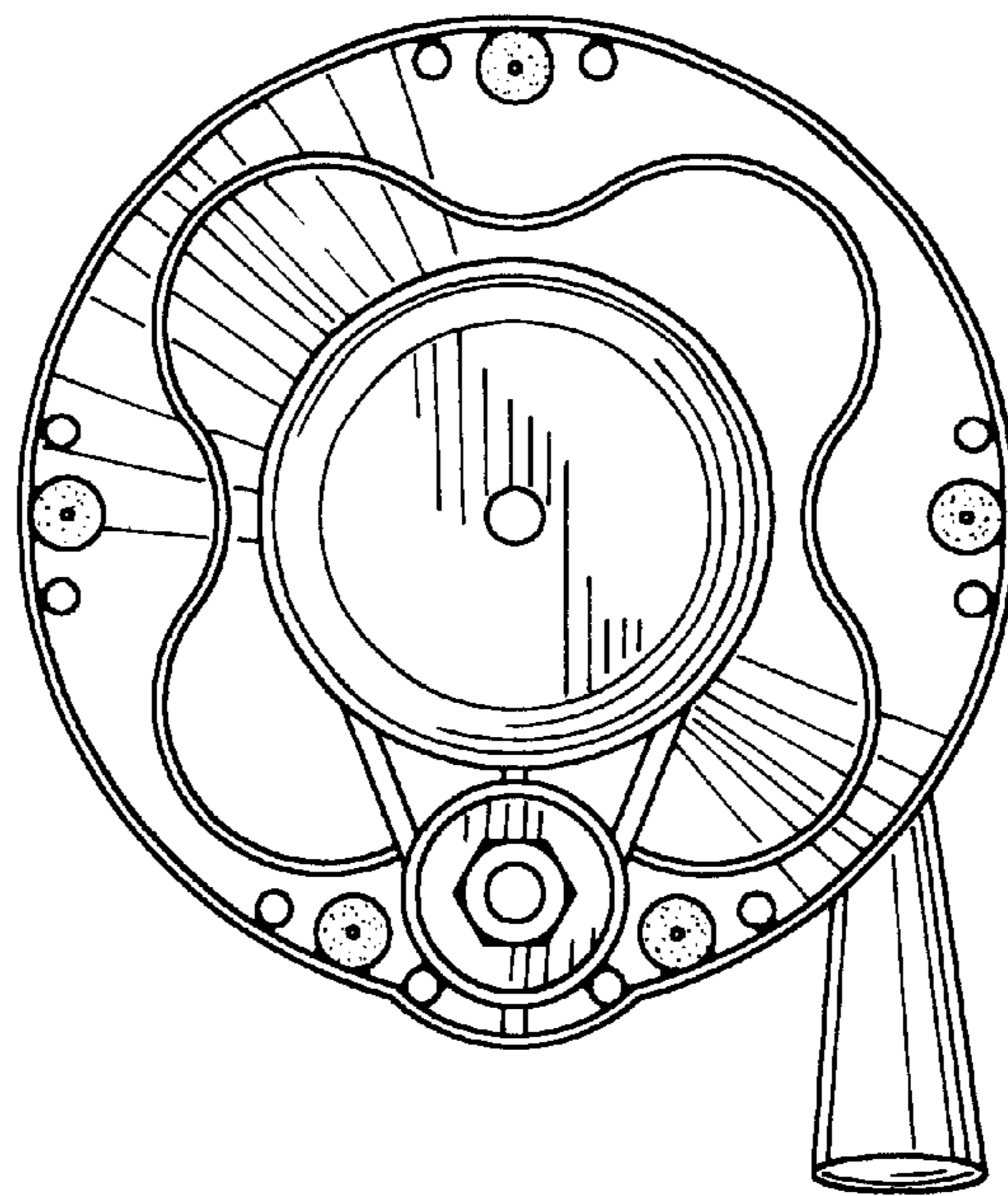


FIG. 7