



US00D447385B1

(12) **United States Design Patent**  
**Saunders et al.**

(10) **Patent No.:** **US D447,385 S**

(45) **Date of Patent:** **\*\* Sep. 4, 2001**

(54) **ELONGATED HANDLE FOR BARBECUE GRILL TOOLS**

(75) Inventors: **William J. Saunders**, Atlanta; **Ed Gullett**, Fayetteville, both of GA (US)

(73) Assignee: **W. C. Bradley Company**, Columbus, GA (US)

(\*\*) Term: **14 Years**

(21) Appl. No.: **29/129,210**

(22) Filed: **Sep. 8, 2000**

(51) **LOC (7) Cl.** ..... **07-06**

(52) **U.S. Cl.** ..... **D7/395**

(58) **Field of Search** ..... D7/393-395, 401.2, D7/682-696; D8/107; 16/110.1, 430, 431, 444; 294/7, 8; 30/322, 323; D32/40, 42, 46, 49

(56) **References Cited**

**U.S. PATENT DOCUMENTS**

- D. 311,120 \* 10/1990 Cautereels ..... D7/688
- D. 412,814 \* 8/1999 Fielding et al. .... D7/692

\* cited by examiner

*Primary Examiner*—Terry A. Wallace

(74) *Attorney, Agent, or Firm*—James W. Kayden; Thomas, Kayden, Horstemeyer & Risley

(57) **CLAIM**

The ornamental design of a elongated handle for barbecue grill tools, as shown and described.

**DESCRIPTION**

FIG. 1 is a perspective view showing our new elongated handle for barbecue grill tools;

FIG. 2 is a left side elevational view thereof, the right side being a mirror image thereof;

FIG. 3 is a front elevational view thereof.

FIG. 4 is a rear elevational view thereof,

FIG. 5 is a top plan view thereof;

FIG. 6 is a bottom plan view thereof;

FIG. 7 is a perspective view showing our new handle with a basting brush head;

FIG. 8 is a perspective view showing our new handle with a grill scraper head;

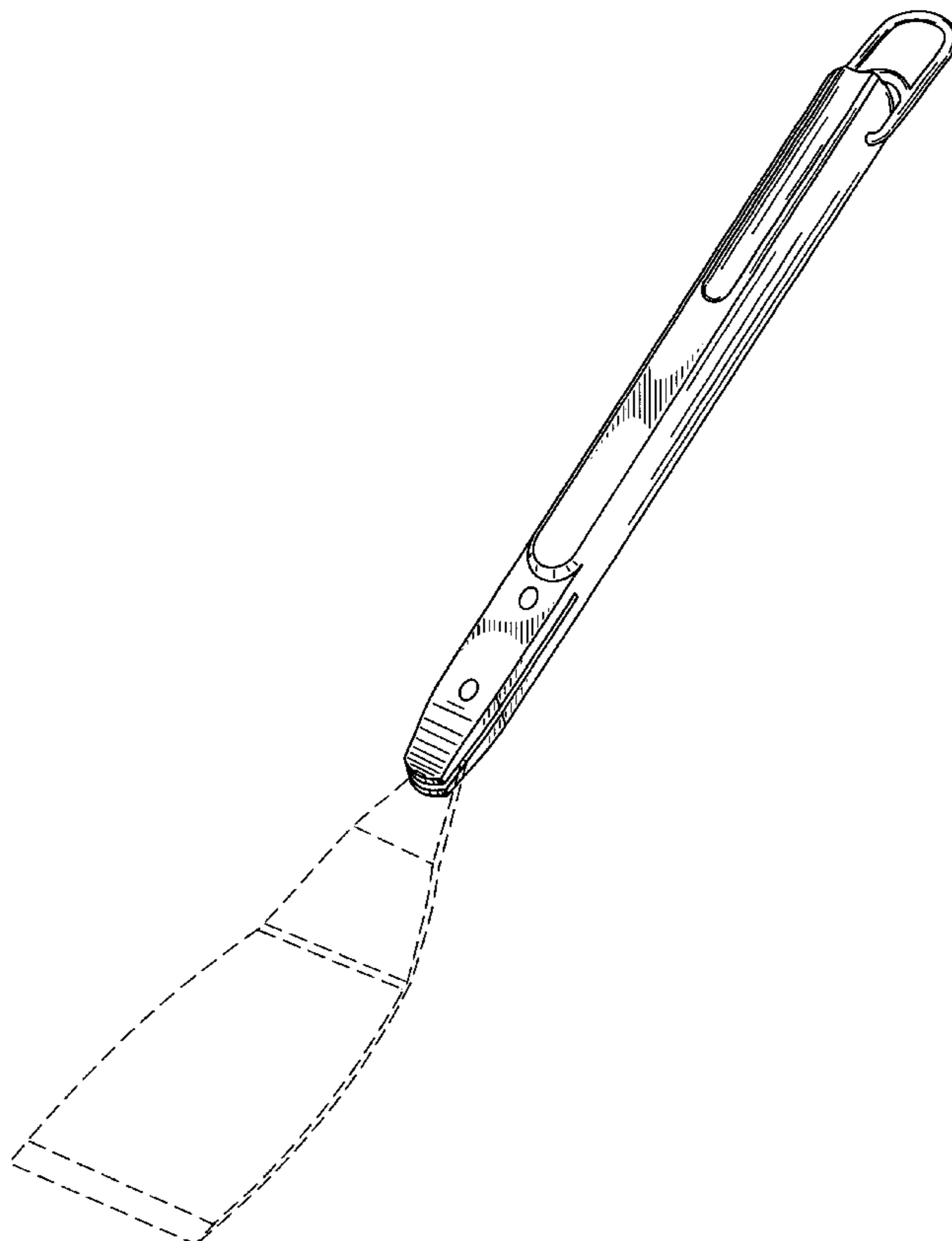
FIG. 9 is a perspective view showing our new handle with a knife blade; and,

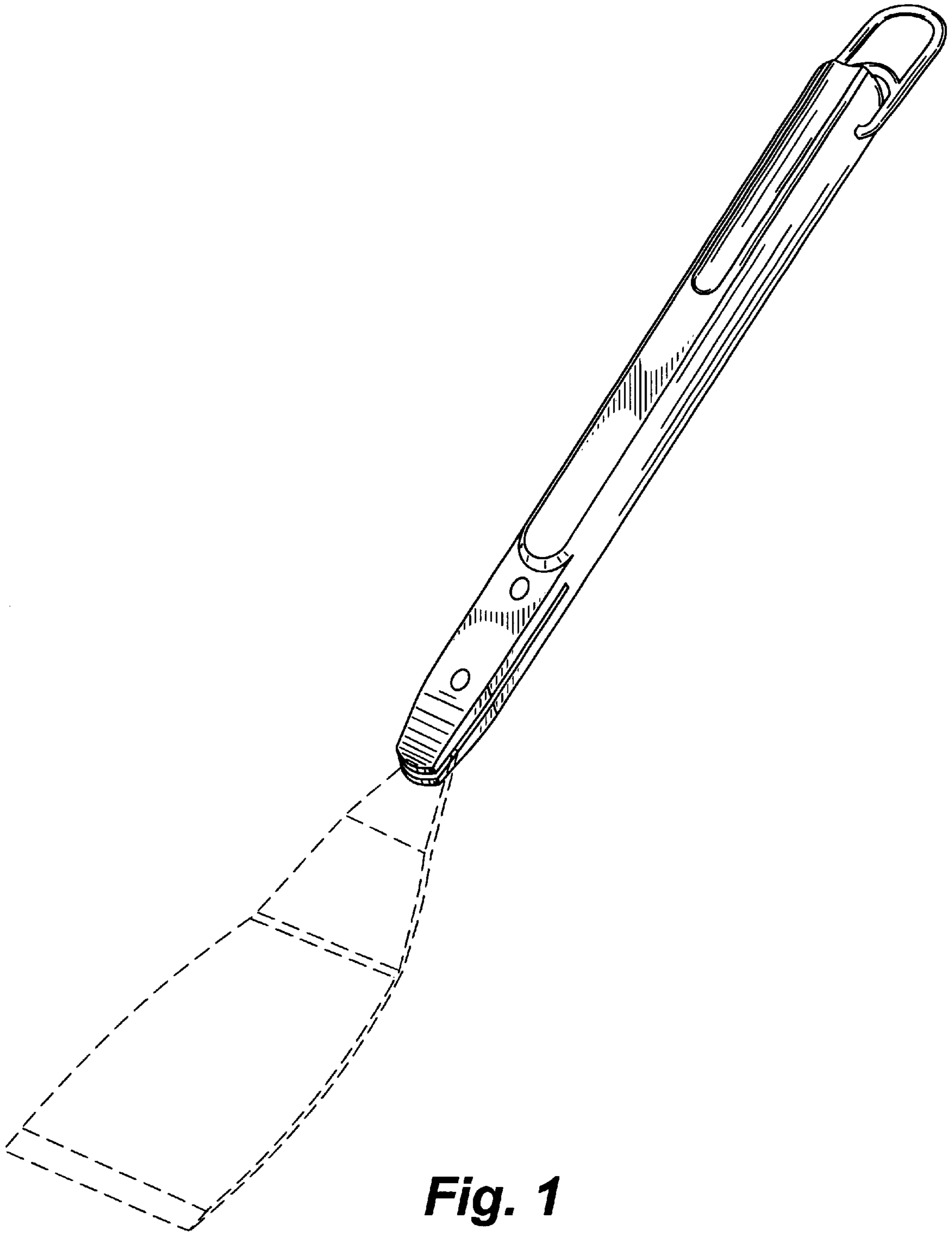
FIG. 10 is a perspective view showing our new handle with a fork.

The dotted lines in the drawings are for illustration only and form no part of the claimed design.

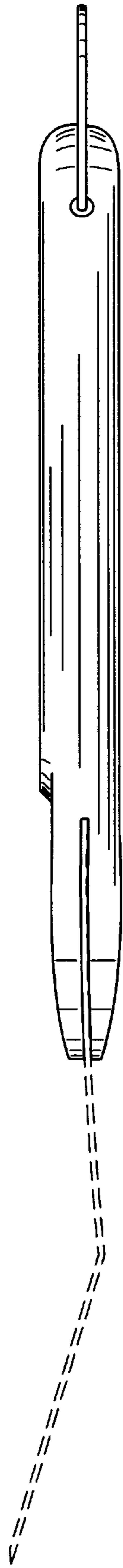
The handle shown in FIGS. 7-10 is the same as that shown in FIG. 1 except for the broken lines disclosure showing alternate end use portions.

**1 Claim, 7 Drawing Sheets**

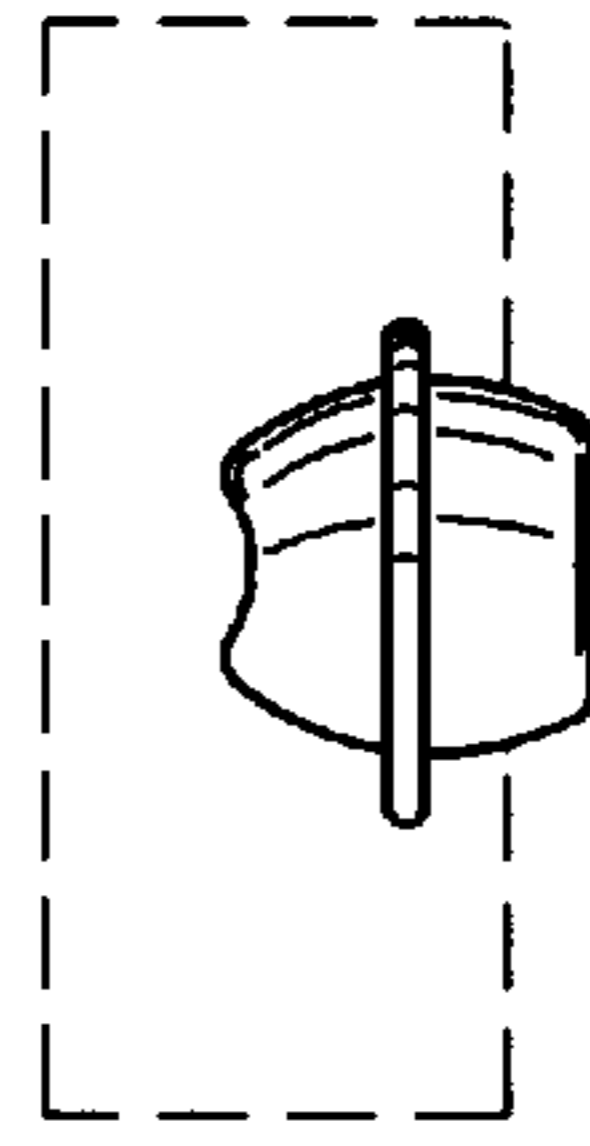




**Fig. 1**



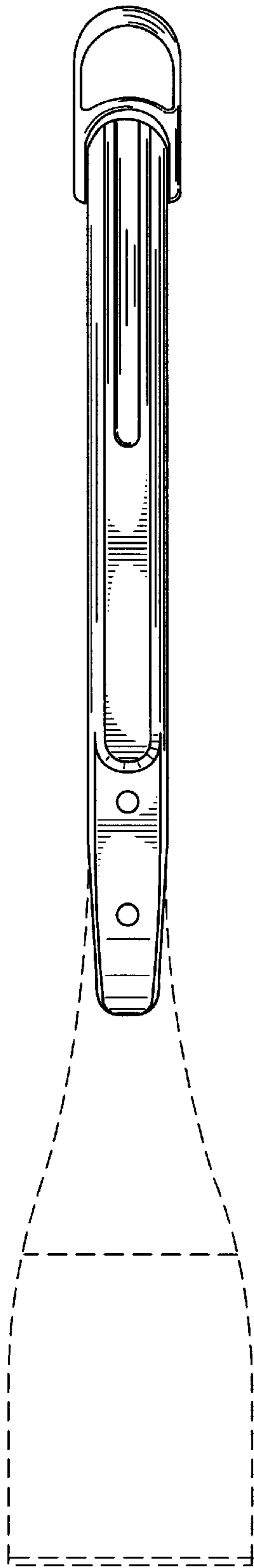
**Fig. 2**



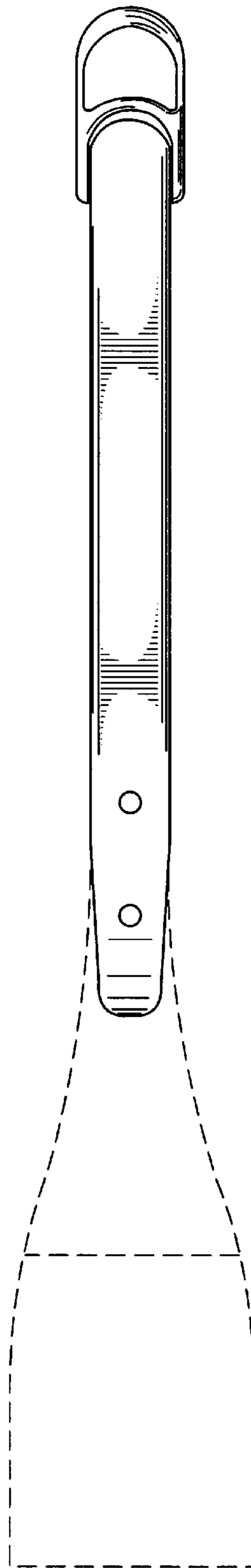
**Fig. 4**



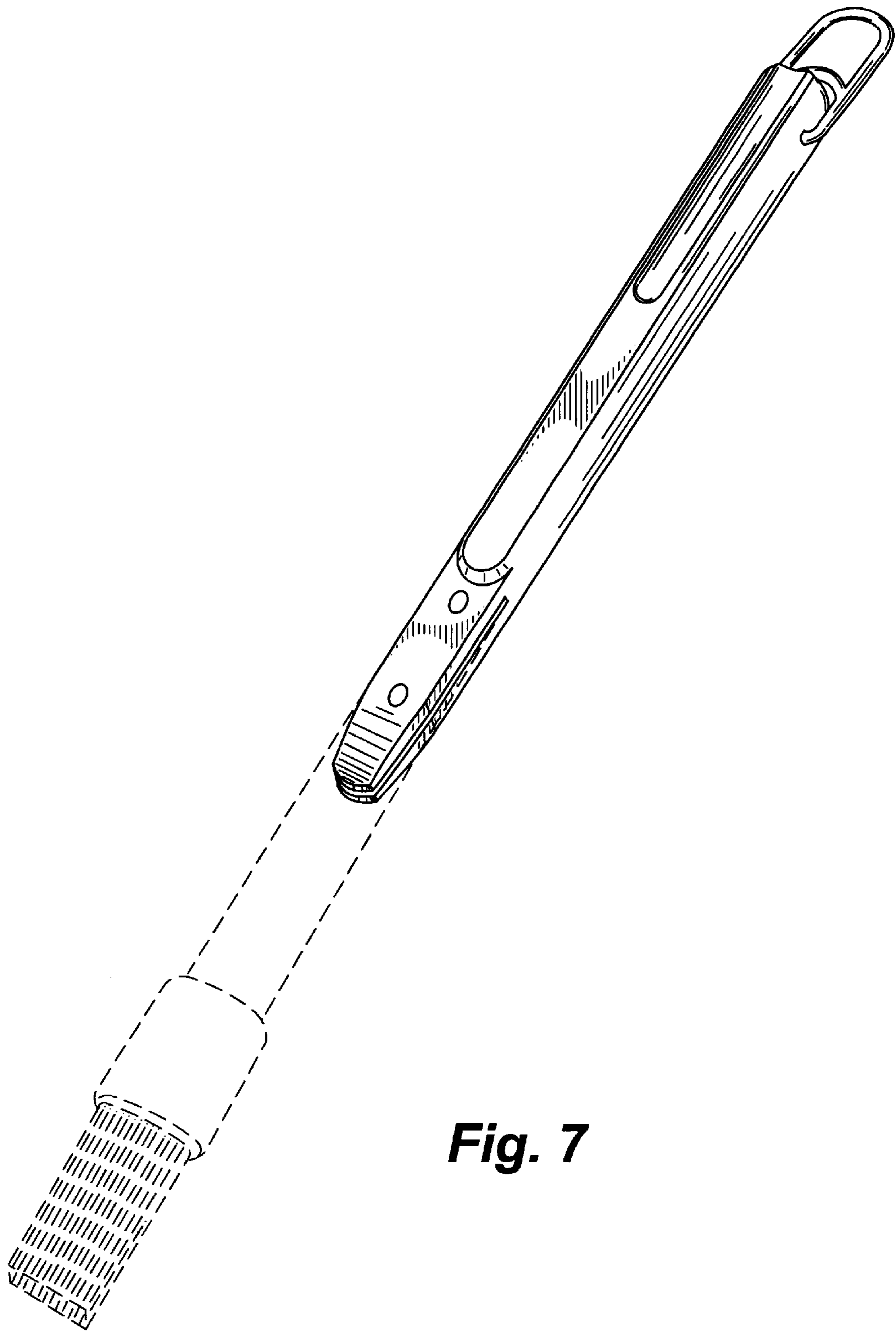
**Fig. 3**



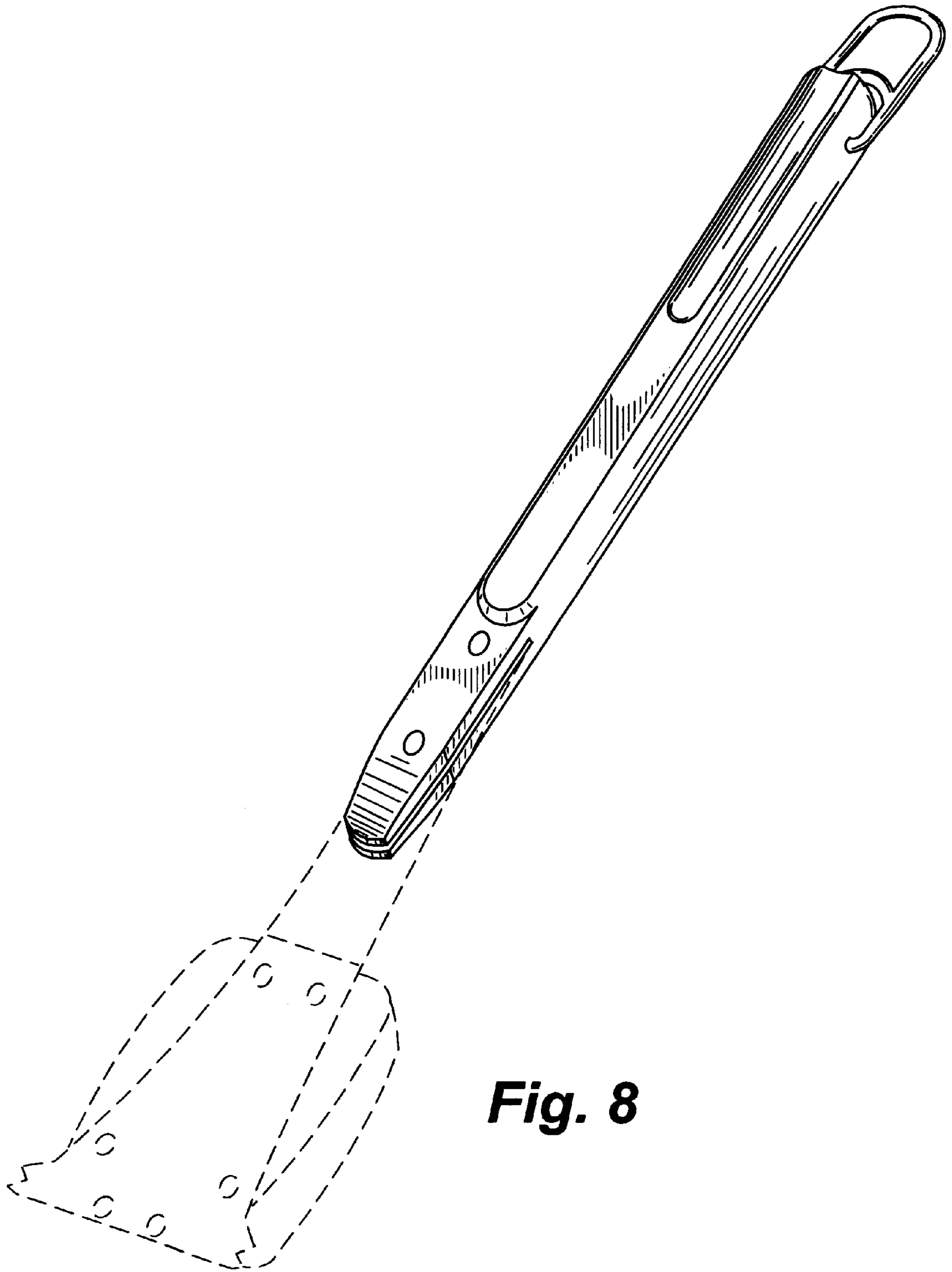
**Fig. 5**



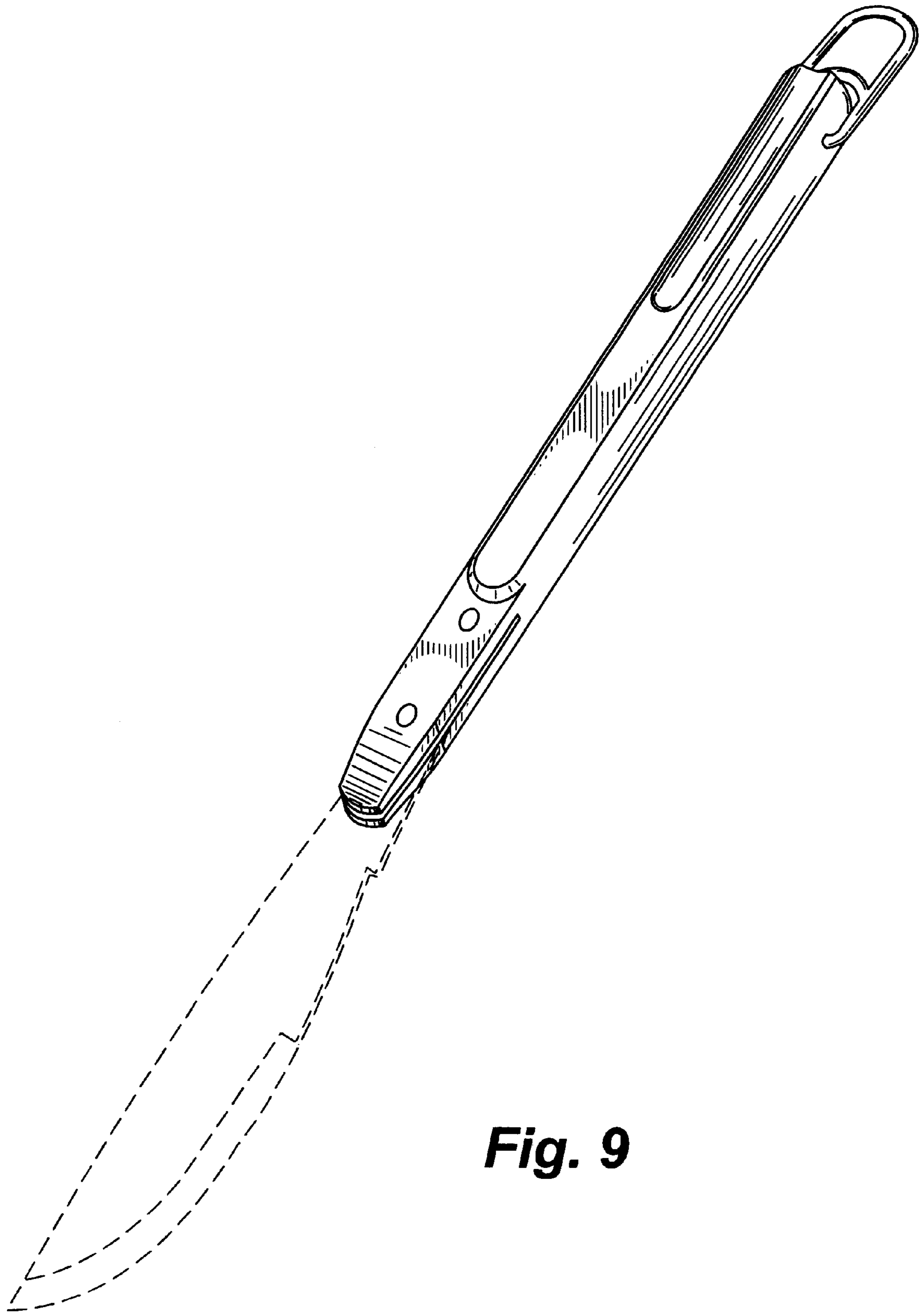
**Fig. 6**



**Fig. 7**

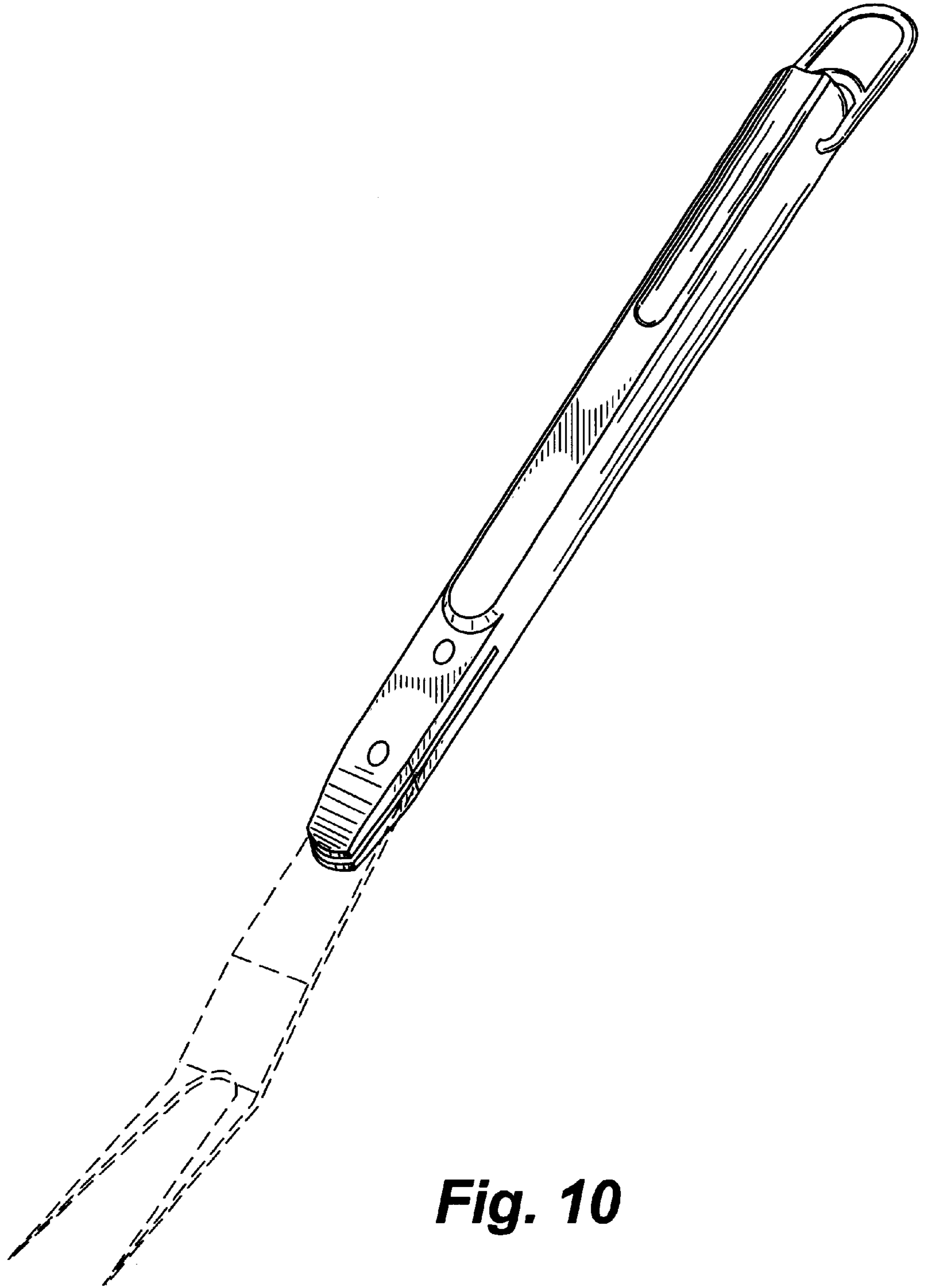


**Fig. 8**



**Fig. 9**





**Fig. 10**