



US00D447383B1

(12) **United States Design Patent**
Rae

(10) **Patent No.:** **US D447,383 S**

(45) **Date of Patent:** **** Sep. 4, 2001**

(54) **HANDLE FOR AN ARTICLE OF COOKWARE**

(75) Inventor: **Robert Allen Rae**, Kowloon (HK)

(73) Assignee: **Meyer Manufacturing Company Limited**, Kowloon (HK)

(**) Term: **14 Years**

(21) Appl. No.: **29/117,041**

(22) Filed: **Jan. 13, 2000**

(51) **LOC (7) Cl.** **07-02**

(52) **U.S. Cl.** **D7/395**

(58) **Field of Search** D7/354-361, 393-395;
D8/107; 16/110.1, 422, 430; 220/752, 769

(56) **References Cited**

U.S. PATENT DOCUMENTS

- D. 284,540 * 7/1986 Baumgarten D7/393
- D. 417,121 * 11/1999 Brunianyn D7/395

* cited by examiner

Primary Examiner—Caron D. Veynar

(74) *Attorney, Agent, or Firm*—Blakely Sokoloff Taylor & Zafman

(57) **CLAIM**

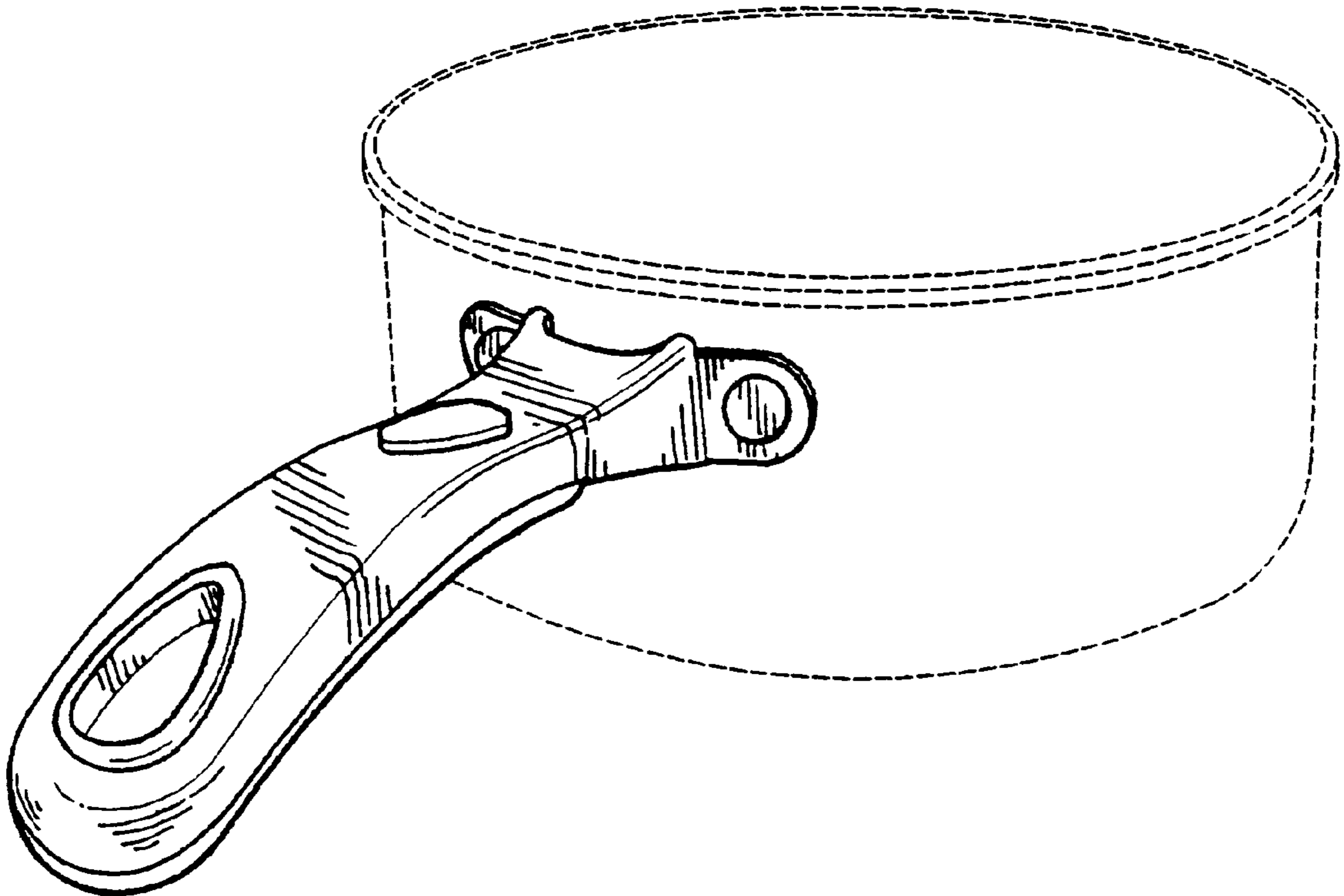
The ornamental design for a handle for an article of cookware, as shown and described.

DESCRIPTION

FIG. 1 is a perspective view of a handle for an article of cookware showing my new design;
 FIG. 2 is an enlarged perspective view thereof;
 FIG. 3 is a bottom plan view thereof;
 FIG. 4 is a right side elevational view thereof;
 FIG. 5 is a top plan view thereof;
 FIG. 6 is a left side elevational view thereof;
 FIG. 7 is a rear elevational view thereof; and,
 FIG. 8 is a front elevational view thereof.

The “article of cookware” shown in phantom lines depicts the environment of my new design and forms no part of the design of my invention.

1 Claim, 4 Drawing Sheets



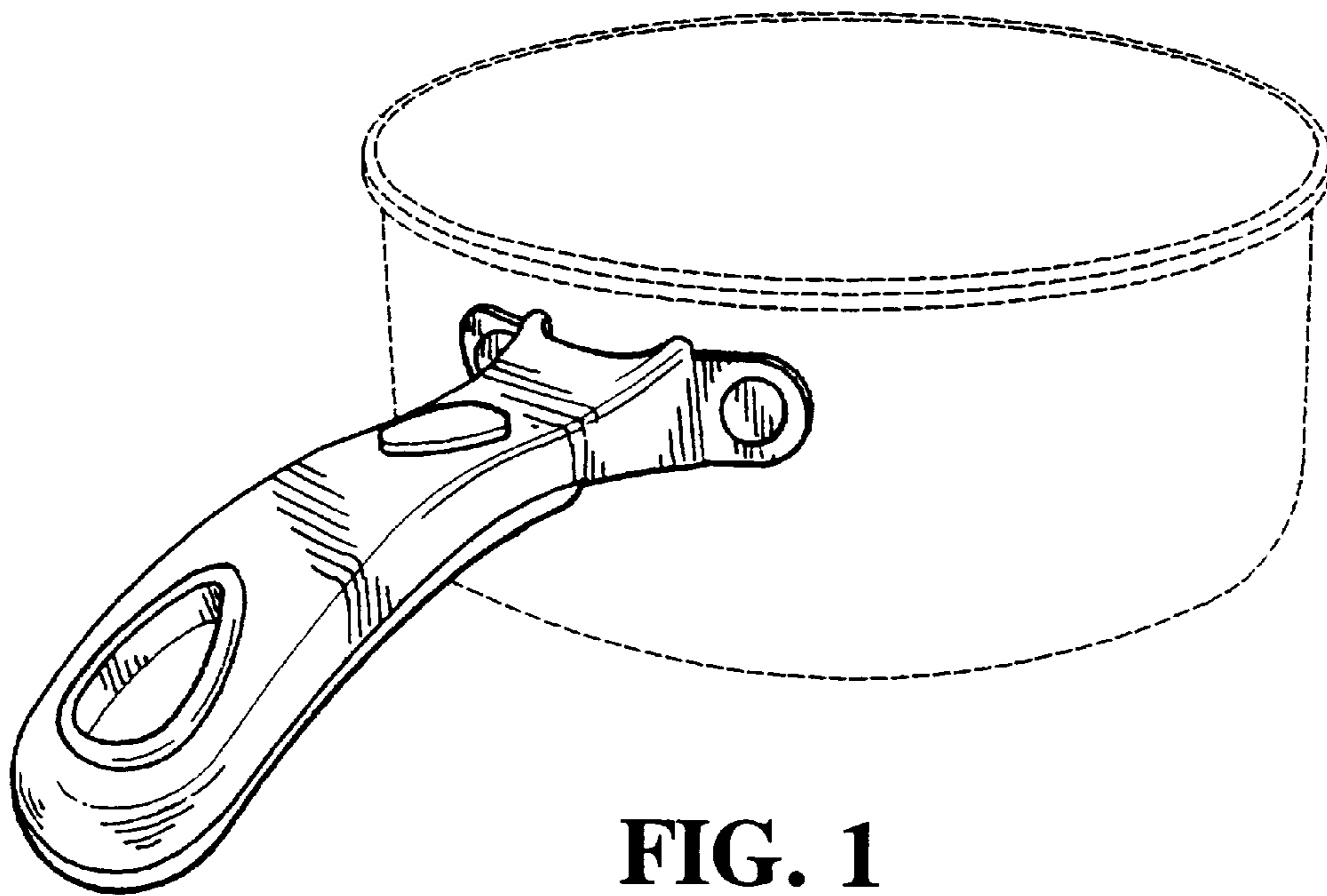


FIG. 1

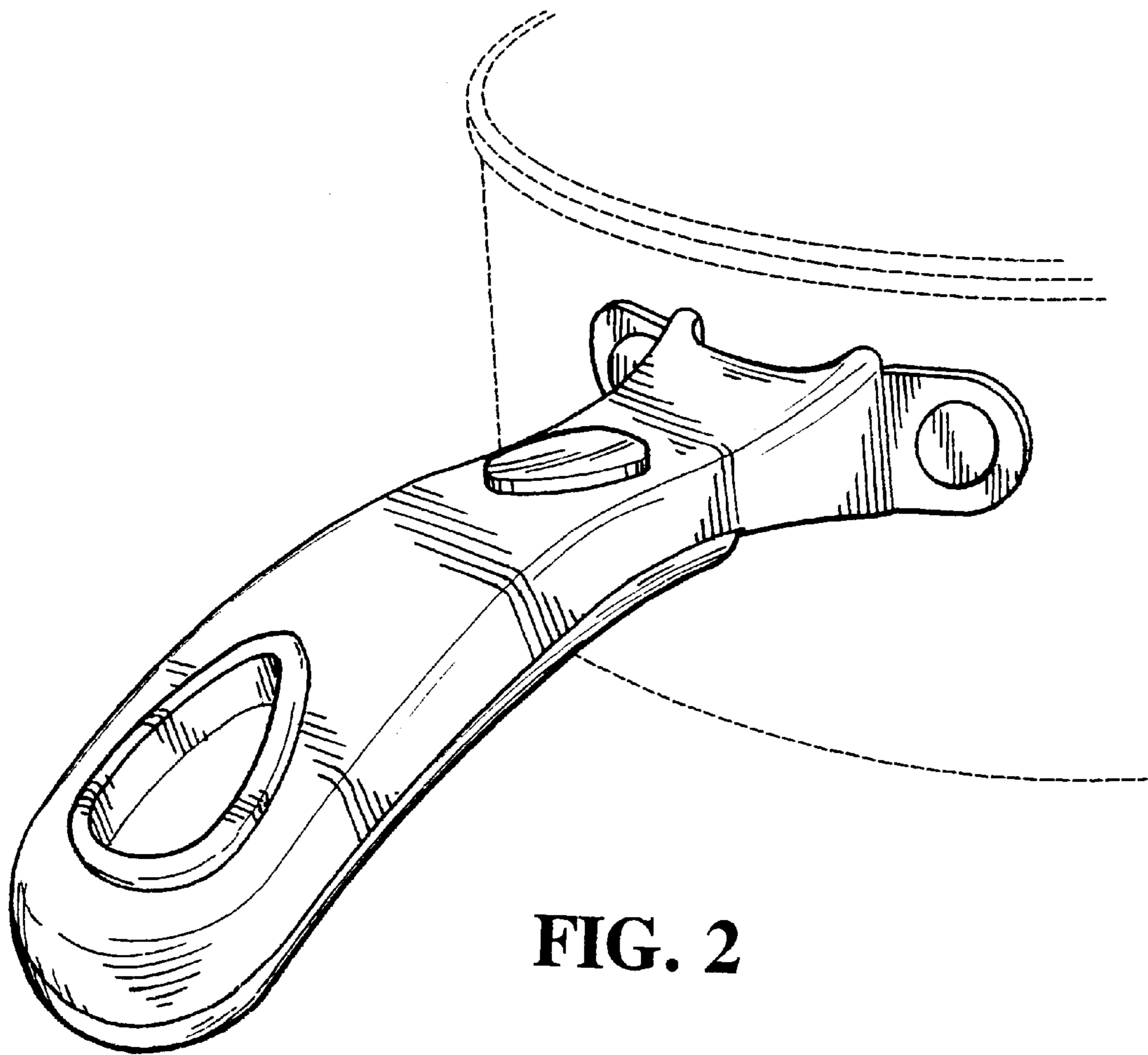


FIG. 2

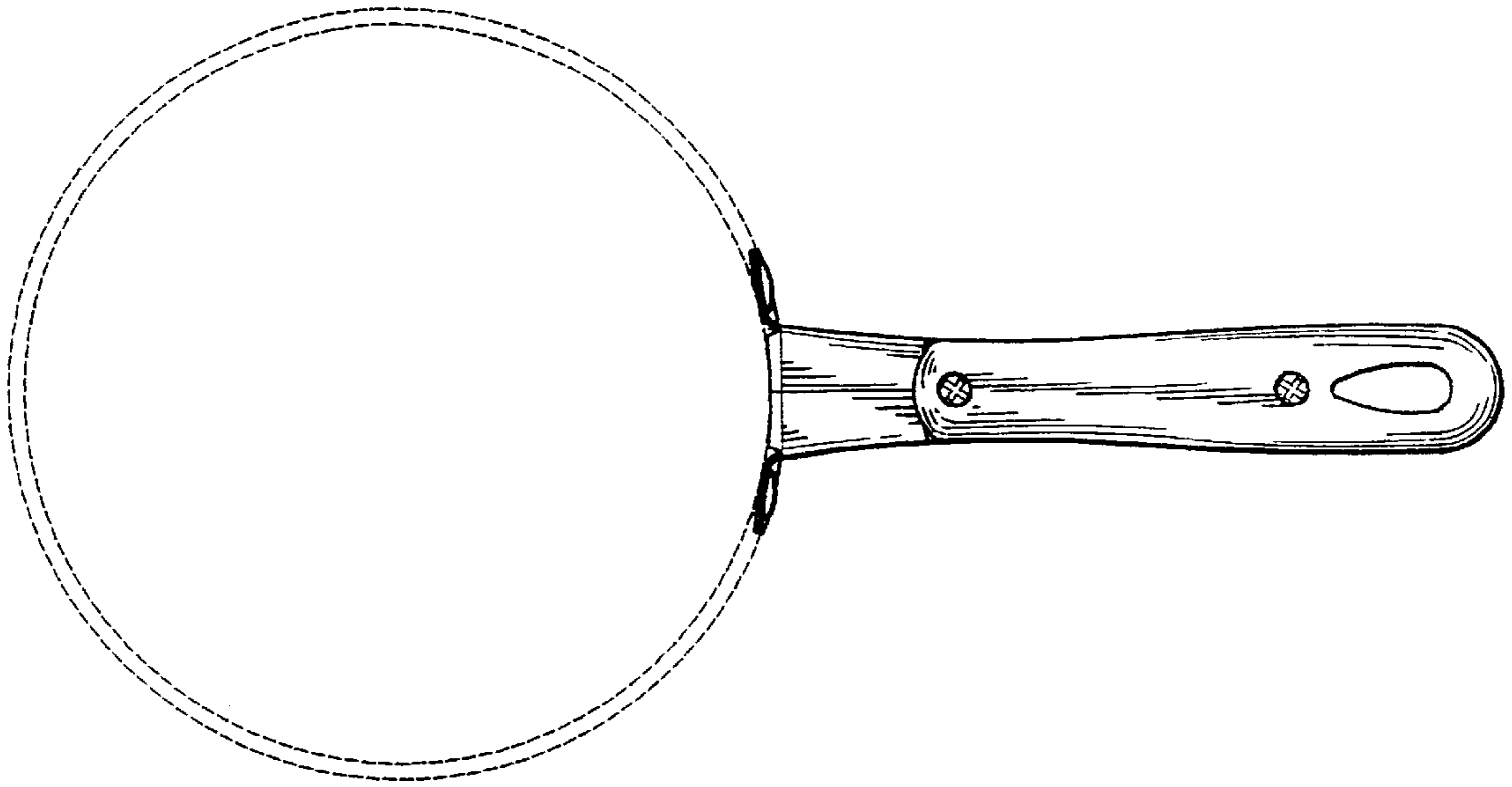


FIG. 3

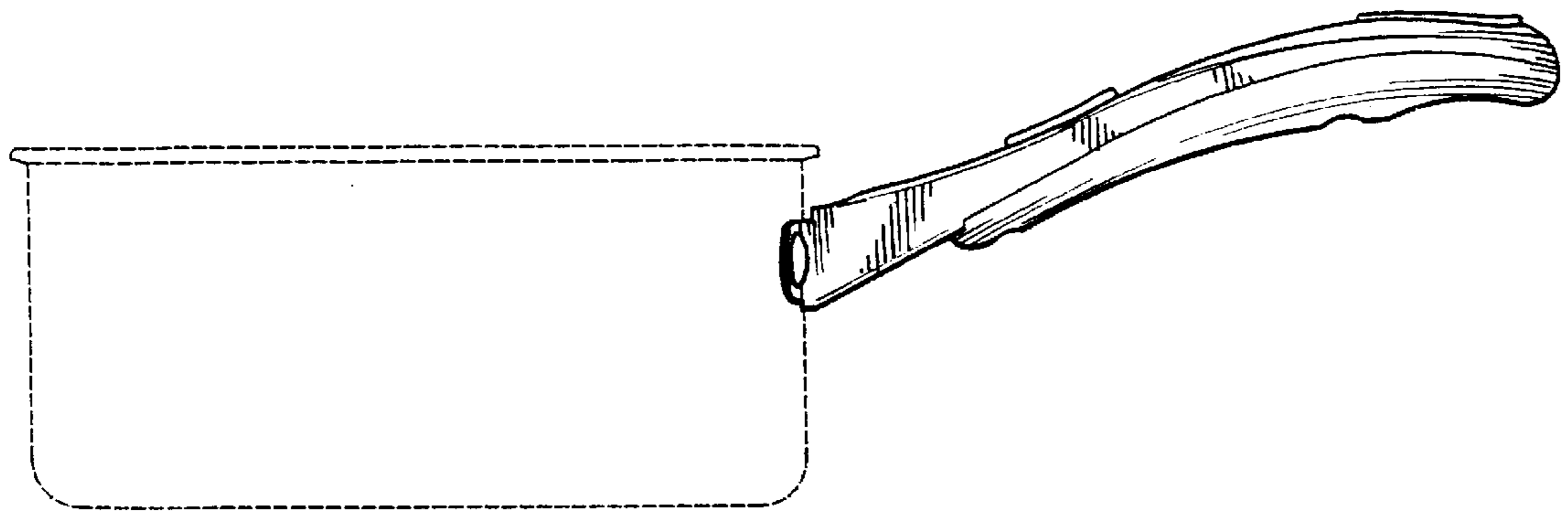


FIG. 4

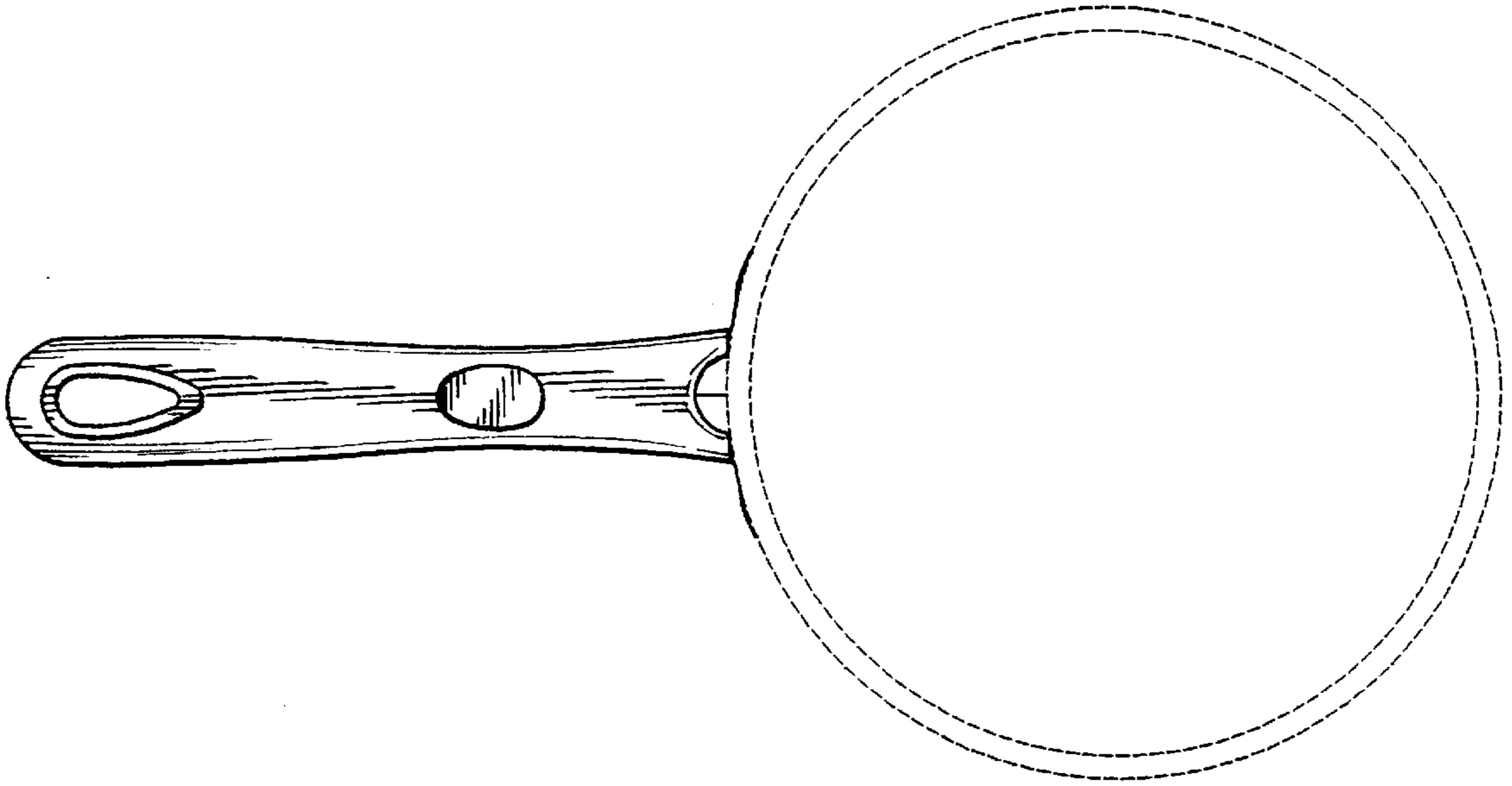


FIG. 5

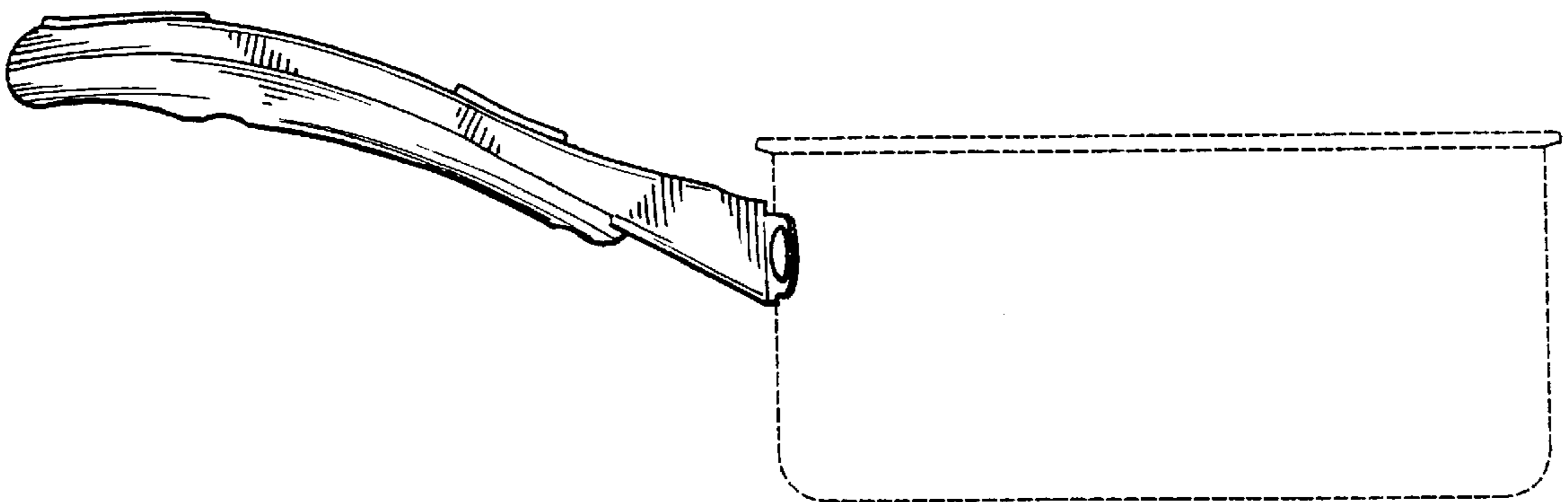


FIG. 6

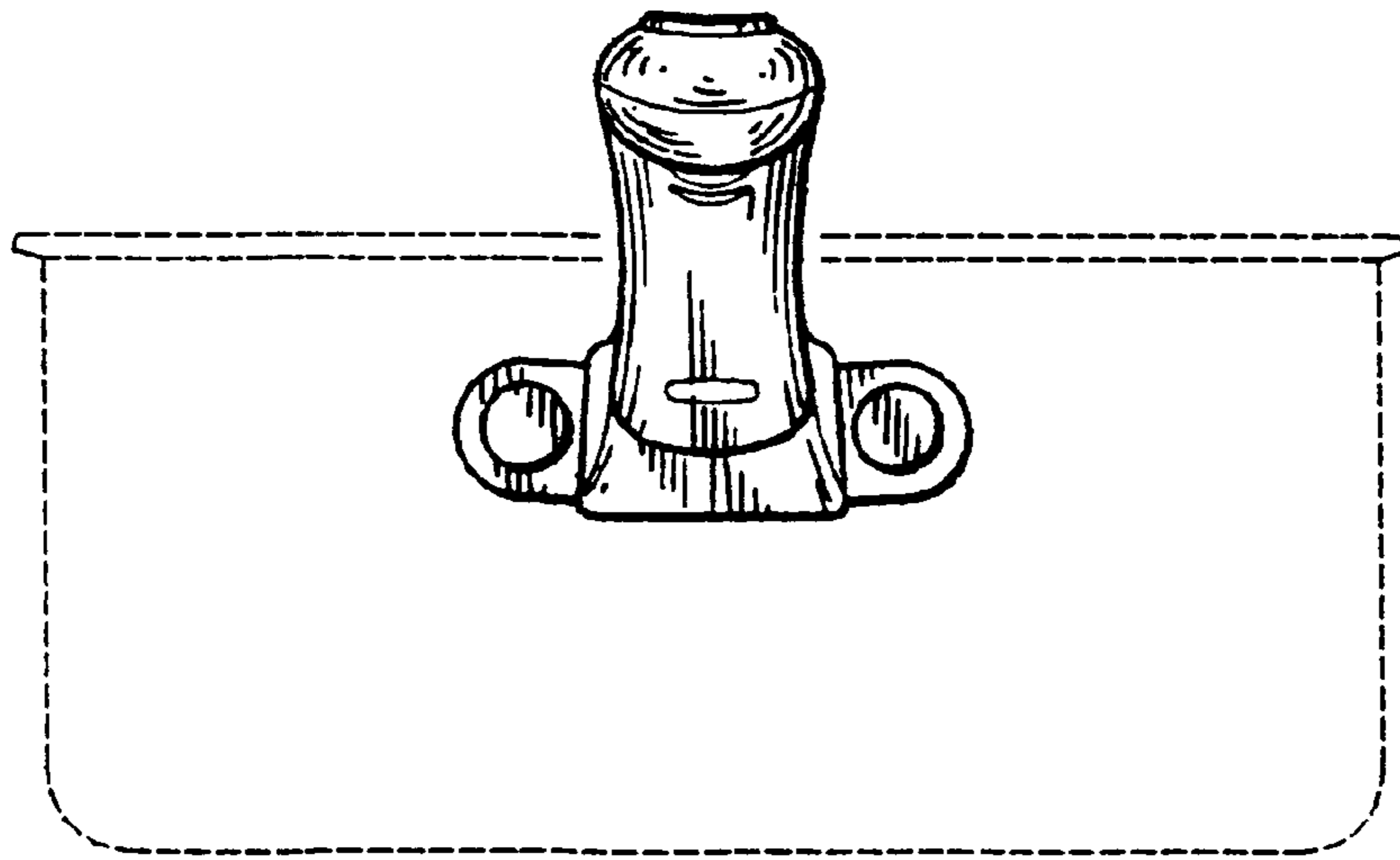


FIG. 7

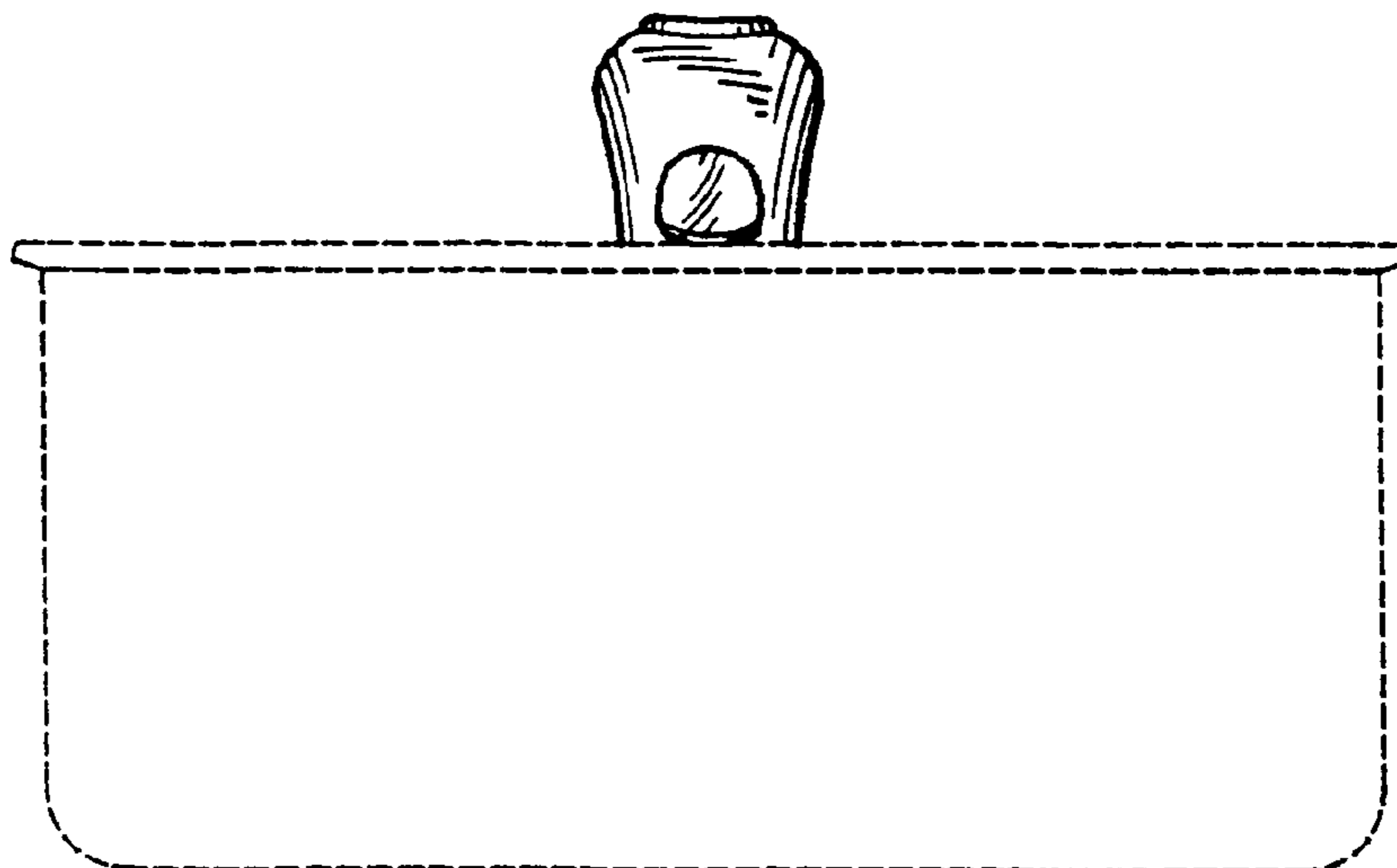


FIG. 8