



US00D447378B1

(12) **United States Design Patent**  
**Young et al.**

(10) **Patent No.:** **US D447,378 S**

(45) **Date of Patent:** **\*\* Sep. 4, 2001**

(54) **THERMAL GRAVY SERVER**

4,750,644 \* 6/1988 Kolody ..... 222/144.5

(75) Inventors: **Michael W. K. Young**, Astoria; **Wei Young**, Flushing, both of NY (US)

\* cited by examiner

(73) Assignee: **Progressive International Corp.**, Kent, WA (US)

*Primary Examiner*—M. N. Pandozzi

(74) *Attorney, Agent, or Firm*—John R. Benefiel

(\*\*) Term: **14 Years**

(57) **CLAIM**

The ornamental design for a thermal gravy server, as shown and described.

(21) Appl. No.: **29/121,741**

**DESCRIPTION**

(22) Filed: **Apr. 12, 2000**

(51) **LOC (7) Cl.** ..... **07-01**

(52) **U.S. Cl.** ..... **D7/318; D7/317**

(58) **Field of Search** ..... D7/316, 317, 318, D7/319, 312, 300, 305, 598, 600; 99/295; 222/475.1, 47.2, 465.1, 144.5, 146.6, 361; 220/504, 216; 215/12.1; 366/129

FIG. 1 is a perspective view of a thermal gravy server according to the present invention.

FIG. 2 is a top view of the thermal gravy server shown in FIG. 1.

FIG. 3 is a front view of the thermal gravy server shown in FIGS. 1 and 2, the rear being identical.

FIG. 4 is a left side view of the thermal gravy server shown in FIGS. 1-3.

FIG. 5 is a right side view of the thermal gravy server shown in FIGS. 1-4; and,

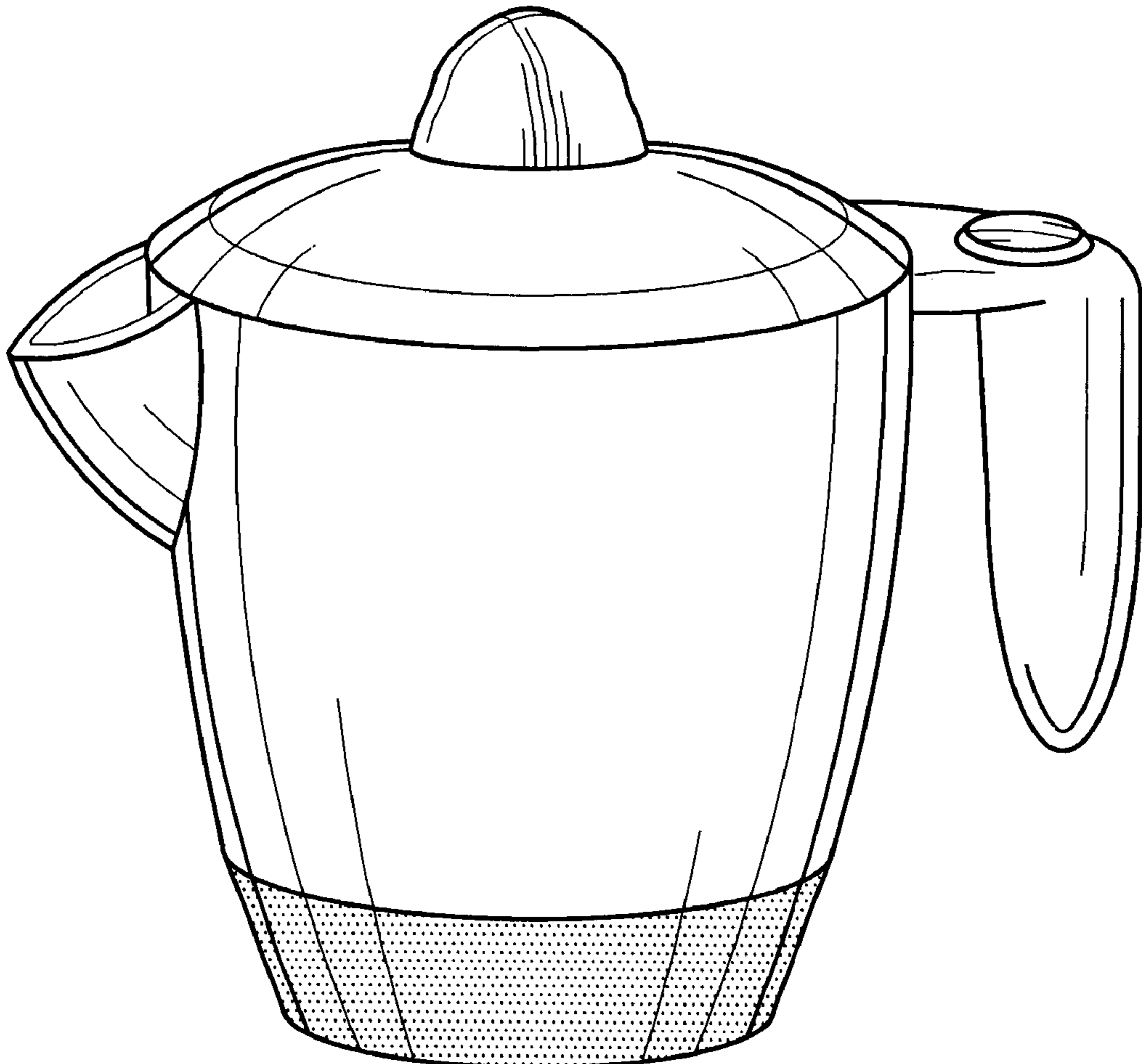
FIG. 6 is a bottom view of a thermal gravy server as shown in FIGS. 1-5.

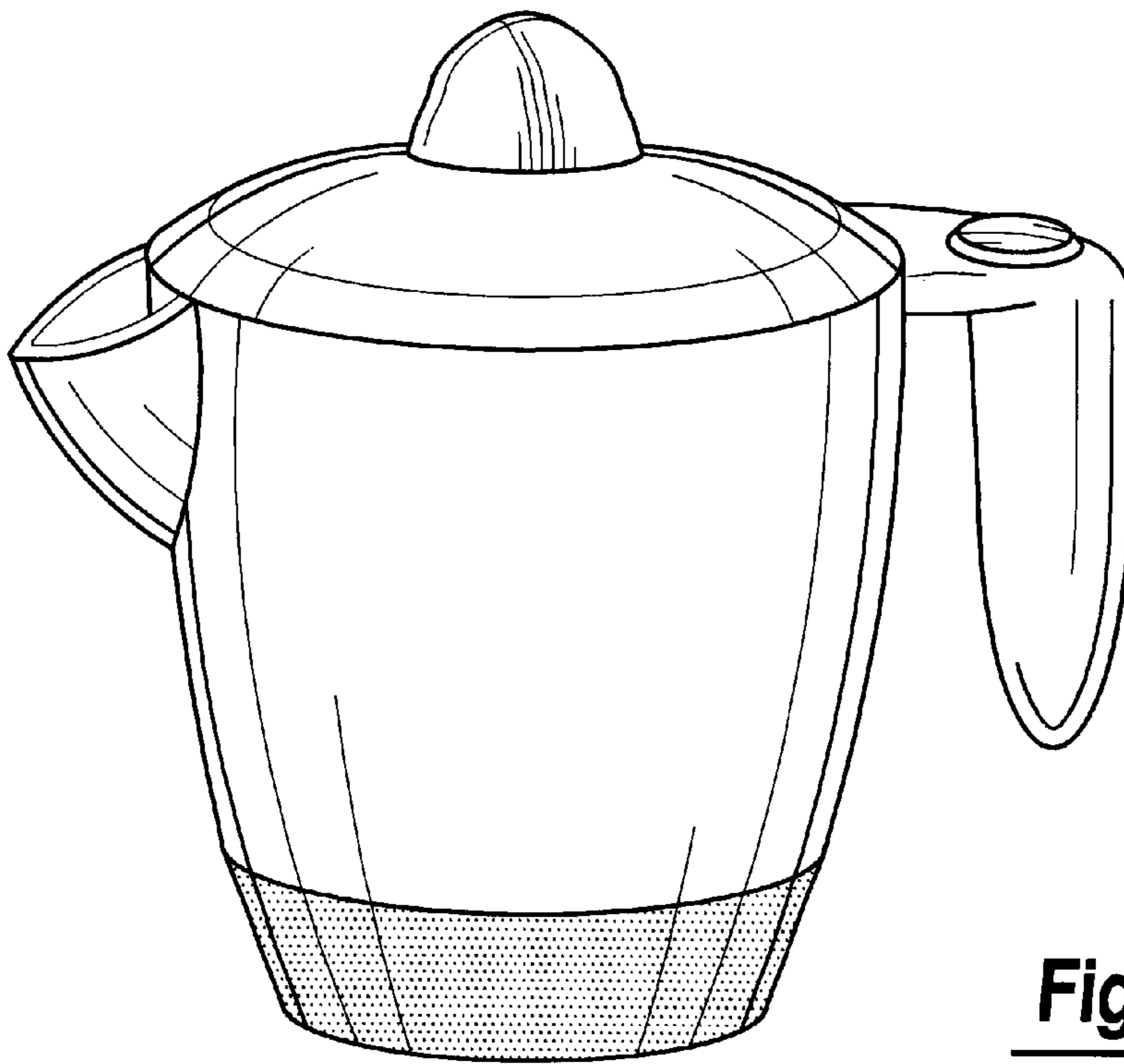
(56) **References Cited**

**U.S. PATENT DOCUMENTS**

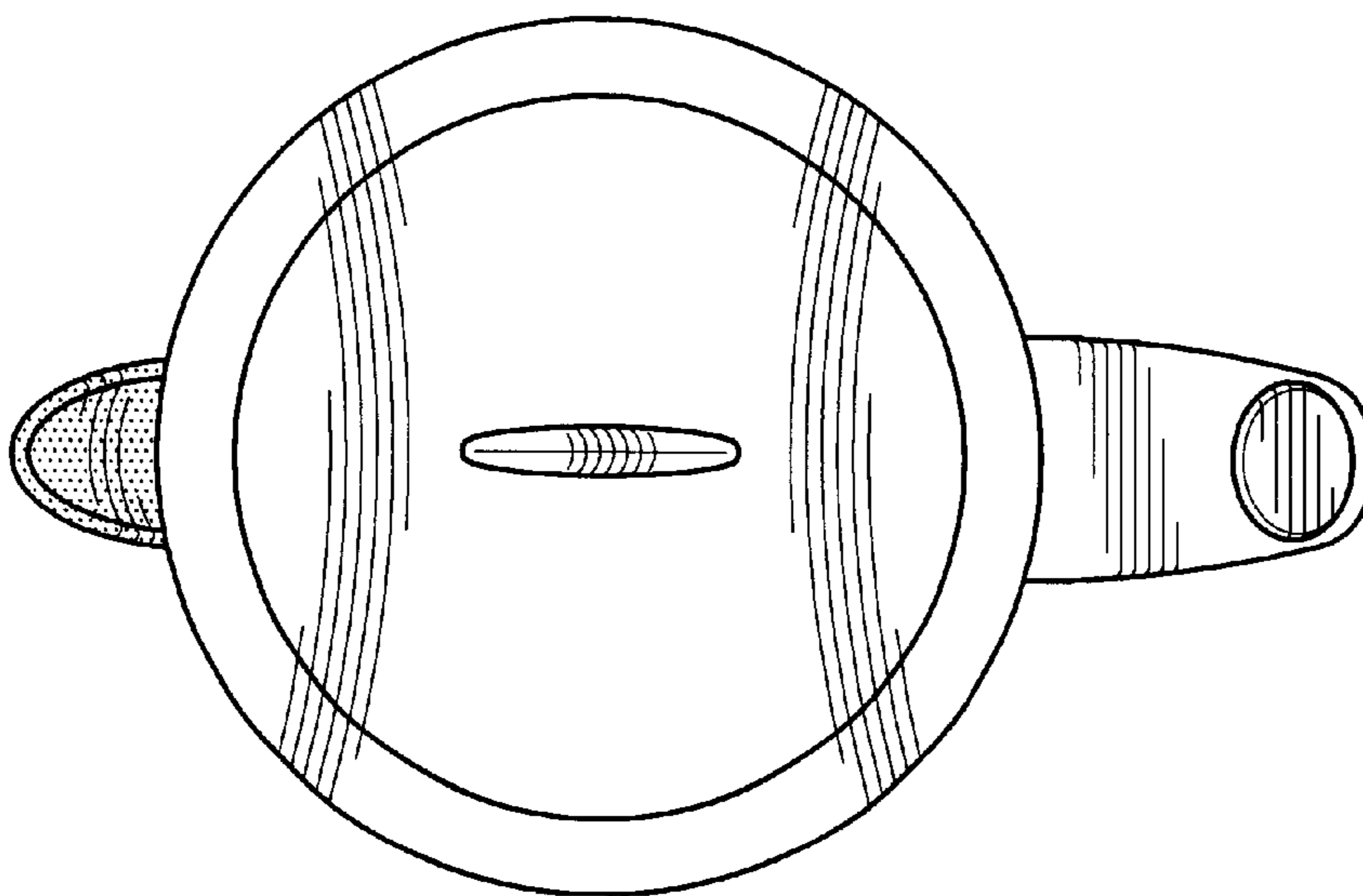
- D. 208,320 \* 8/1967 Niles ..... 222/361
- D. 362,782 \* 10/1995 Piva ..... D7/319
- D. 427,478 \* 7/2000 Littmann et al. .... D7/318

**1 Claim, 3 Drawing Sheets**





**Figure 1**



**Figure 2**

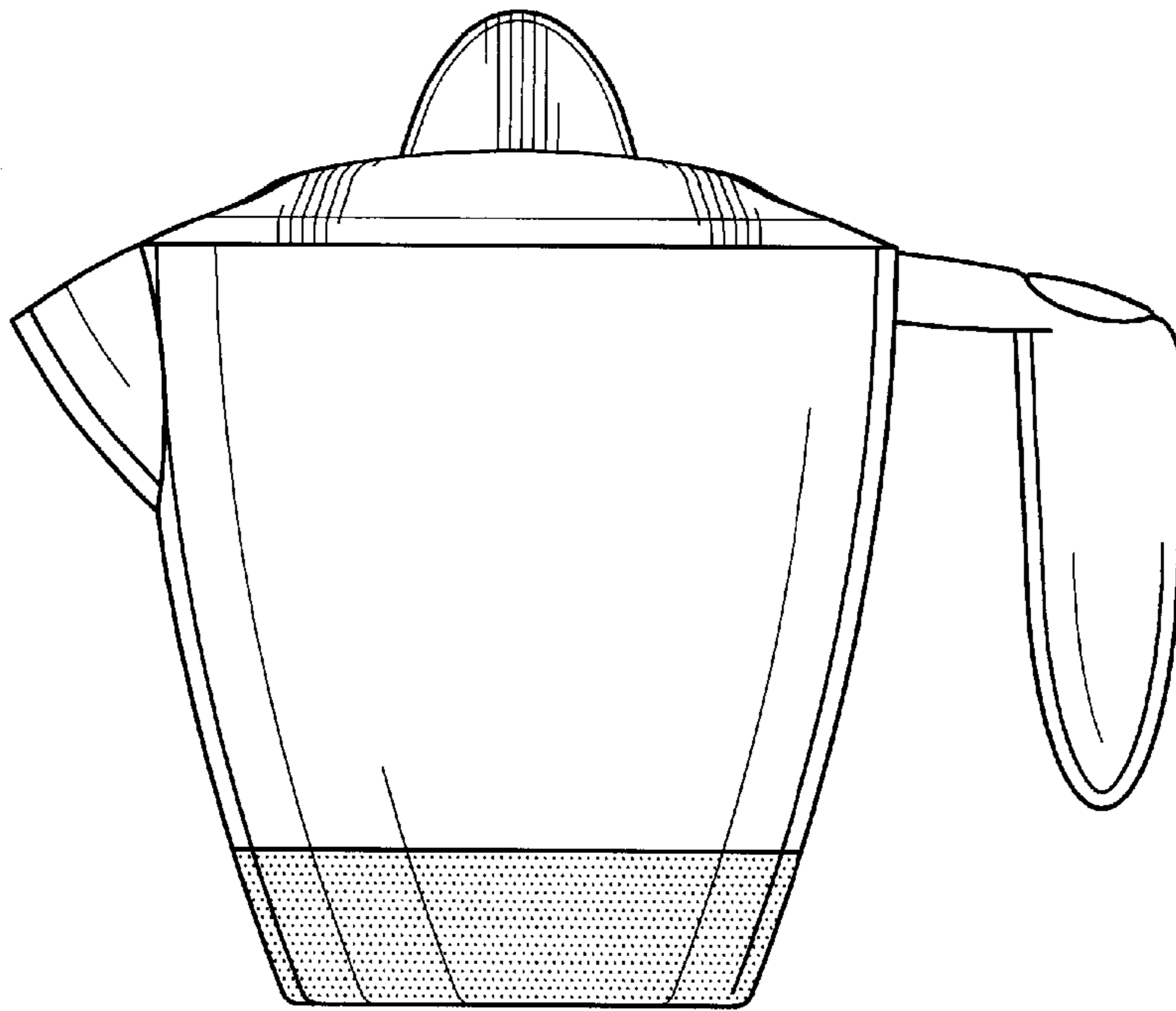


Figure 3

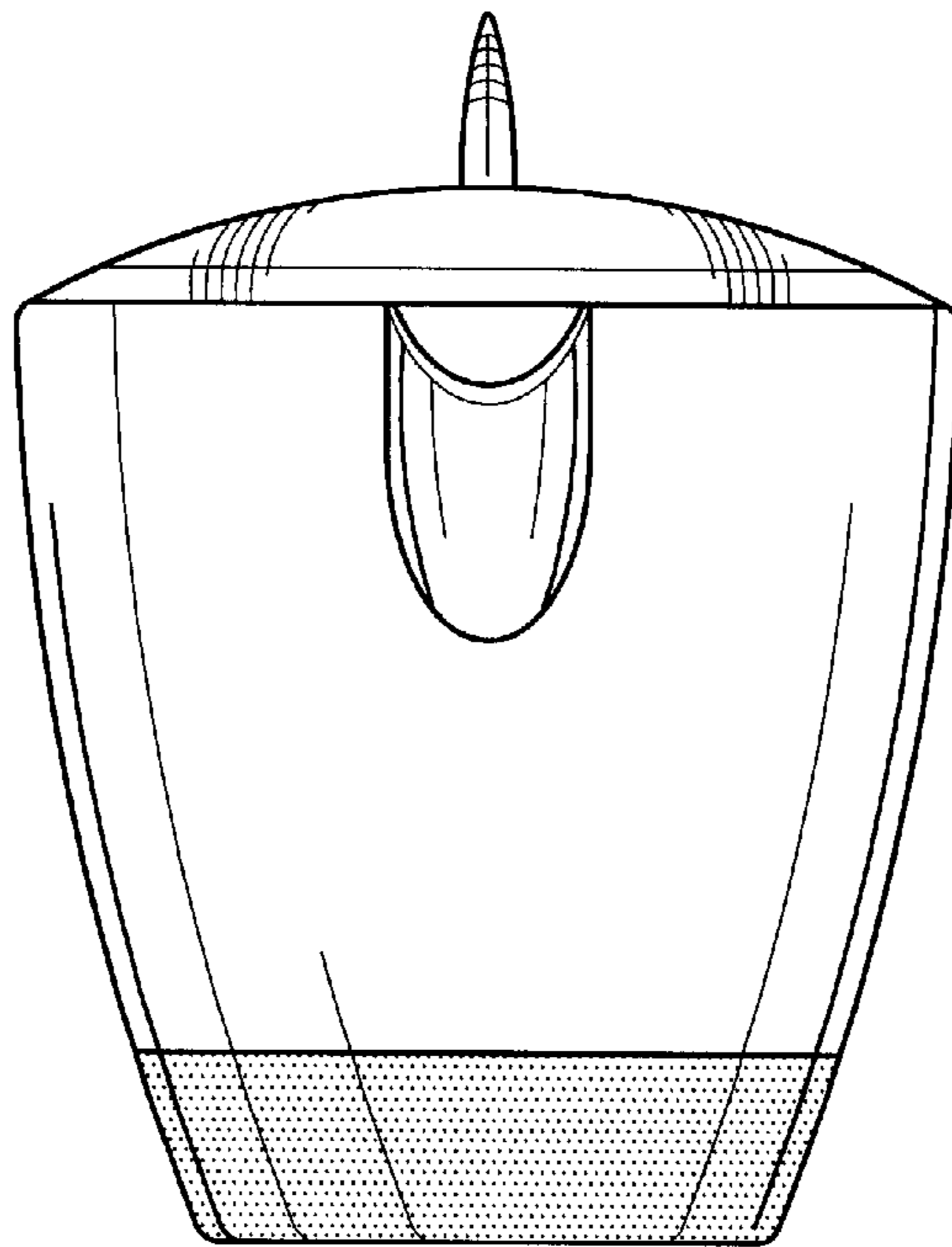


Figure 4

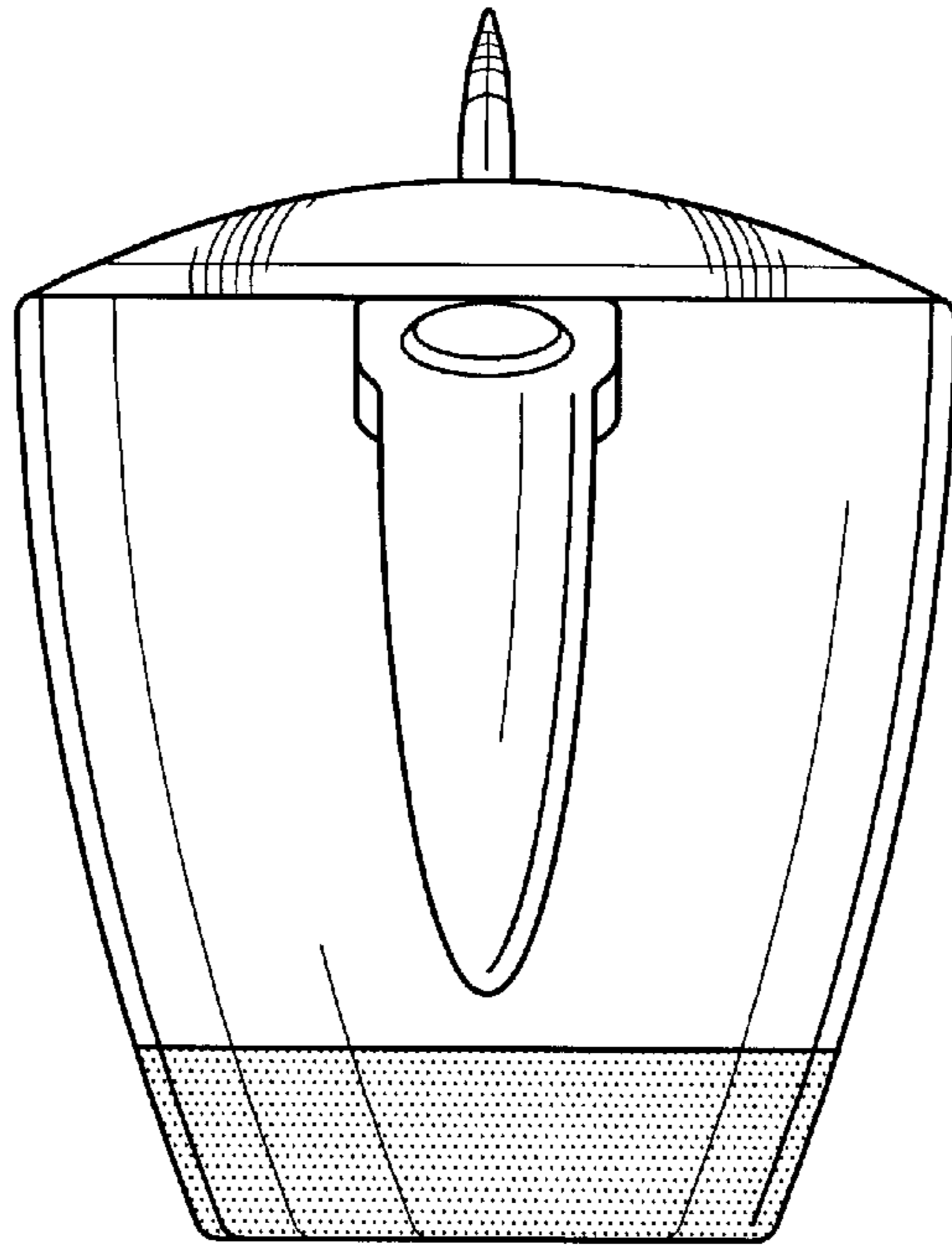


Figure 5

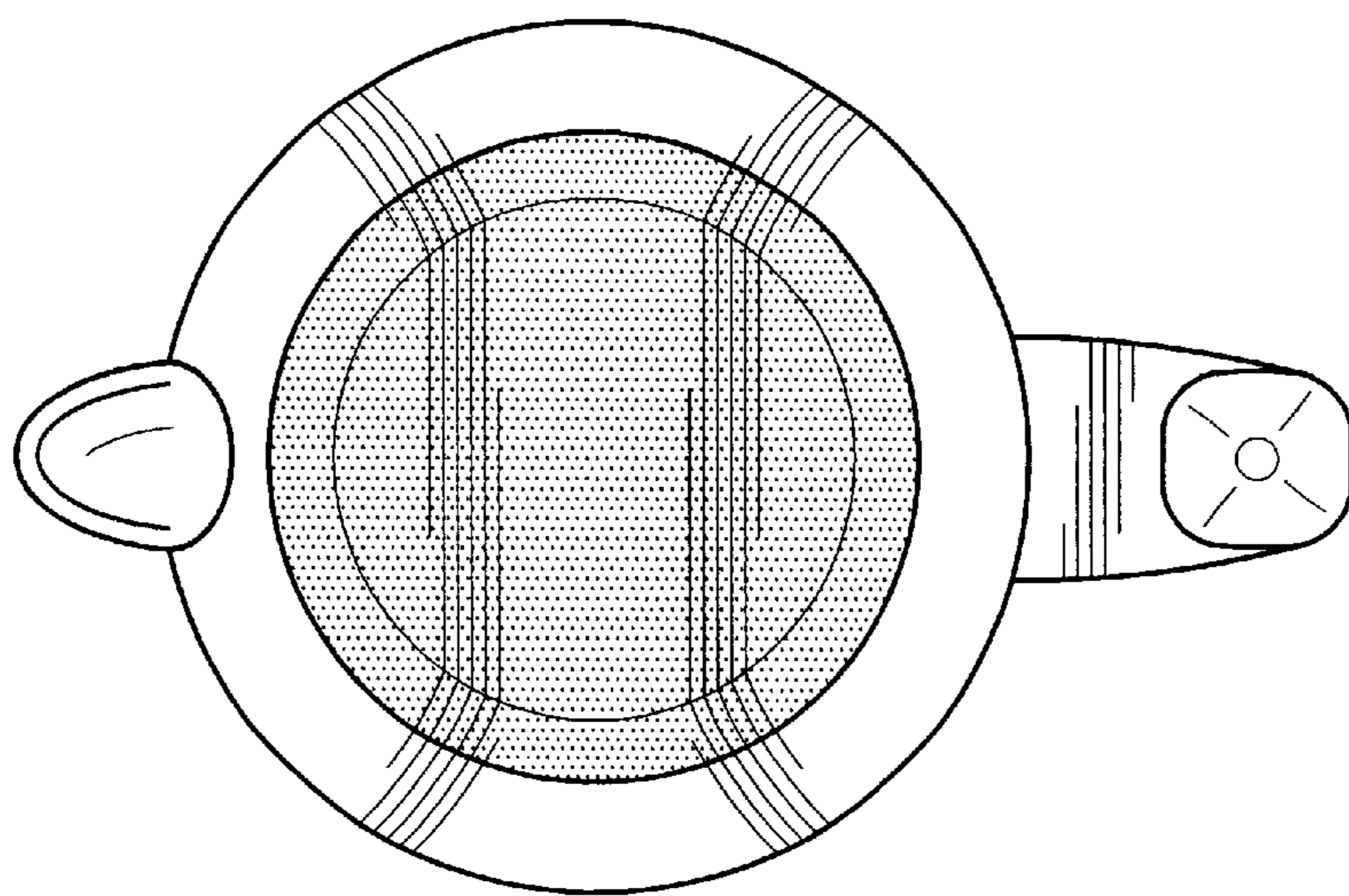


Figure 6