



US00D447376B1

(12) **United States Design Patent**
Kramer

(10) **Patent No.:** **US D447,376 S**

(45) **Date of Patent:** **** Sep. 4, 2001**

(54) **BODY SUPPORT PILLOW**

5,545,199 * 8/1996 Hudson 607/109
5,675,850 * 10/1997 Schmitt 5/630

(76) Inventor: **Tammy L Kramer**, 810 13th St. SW.,
Vero Beach, FL (US) 32962

* cited by examiner

(**) Term: **14 Years**

Primary Examiner—Janice E. Seeger

(21) Appl. No.: **29/135,065**

(57) **CLAIM**

(22) Filed: **Jan. 5, 2001**

The ornamental design for a body support pillow, as shown and described.

(51) **LOC (7) Cl.** **06-09**

DESCRIPTION

(52) **U.S. Cl.** **D6/601**

(58) **Field of Search** D6/595, 596, 601,
D6/604; 5/630, 631, 633, 636, 637, 652-654,
655.3, 655.9, 907, 930

FIG. 1 is a front elevational view of the body support pillow of the present invention;

FIG. 2 is a rear elevational view of the body support pillow of FIG. 1;

FIG. 3 is a right side elevational view of the body support pillow of FIG. 1;

FIG. 4 is a left side elevational view of the body support pillow of FIG. 1;

FIG. 5 is a top plan view of the body support pillow of FIG. 1, the bottom plan view being a mirror image thereof;

FIG. 6 is a top, front, right side perspective view of the body support pillow of FIG. 1; and,

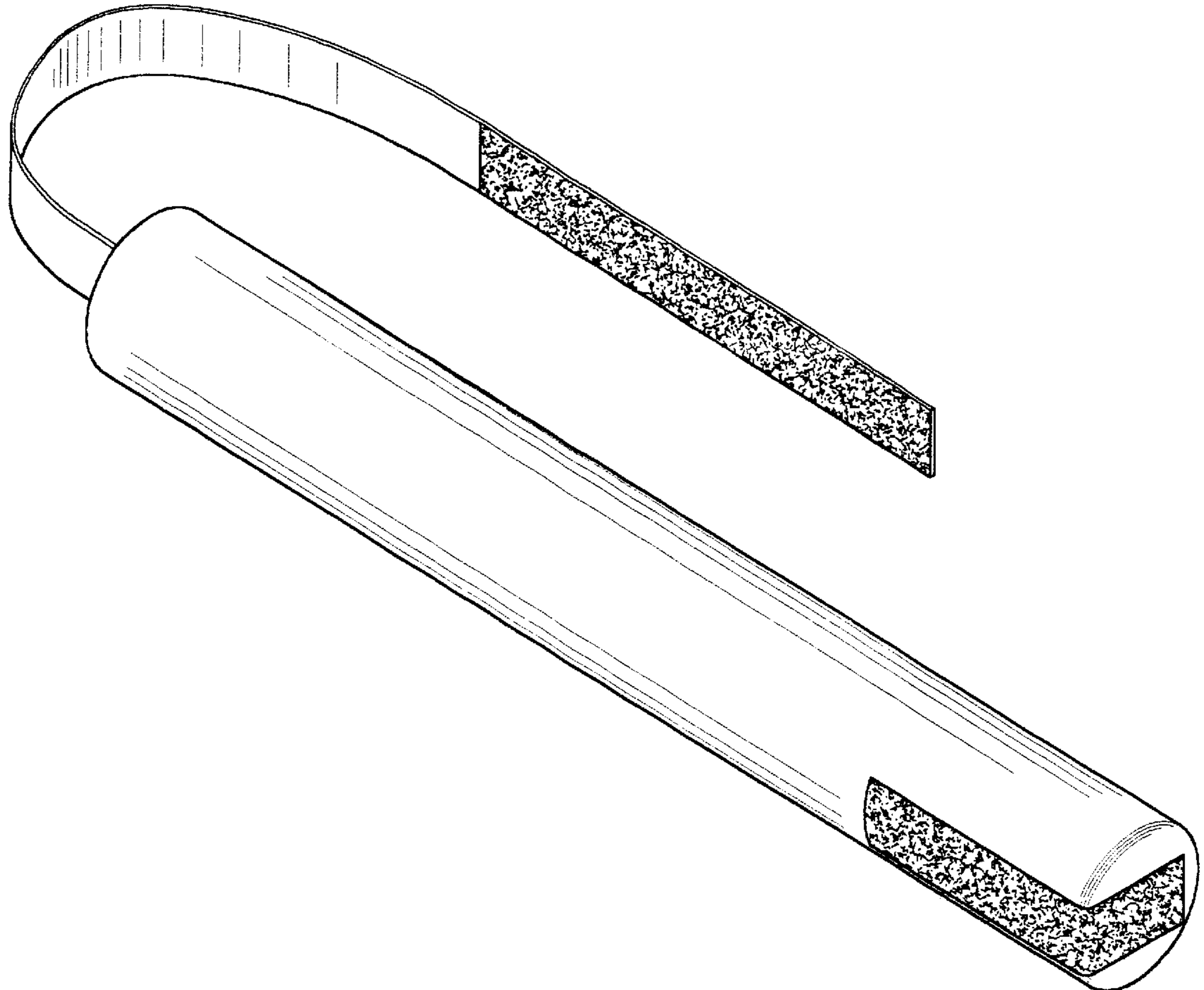
FIG. 7 is a rear perspective view in an alternate position (bent).

(56) **References Cited**

U.S. PATENT DOCUMENTS

D. 382,164	*	8/1997	Hays	D6/601
D. 406,486		3/1999	Ogilvie .		
D. 416,427	*	11/1999	Pecora et al.	D6/601
3,899,797	*	8/1975	Gunst	5/655.3
4,097,086		6/1978	Hudson .		
4,294,239		10/1981	Oram et al. .		
5,211,623		5/1993	Sarkozi .		
5,338,289		8/1994	Cooker .		
5,503,456		4/1996	Rossini .		

1 Claim, 5 Drawing Sheets



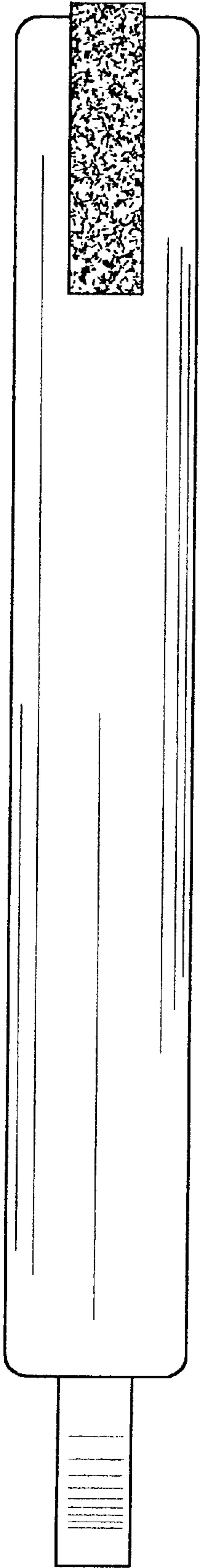


FIG. 1

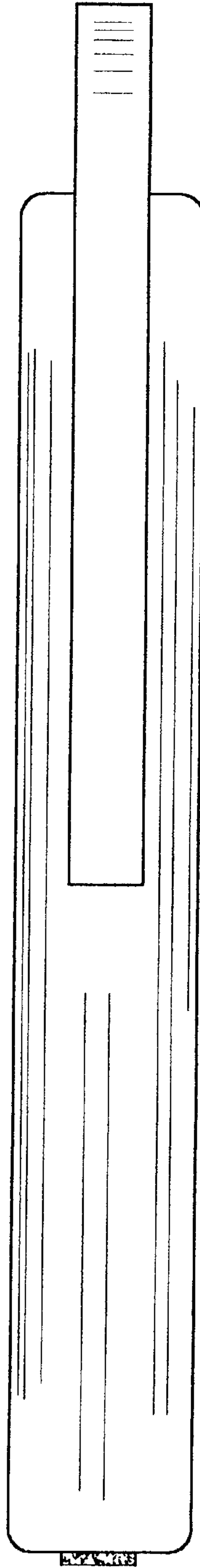


FIG. 2

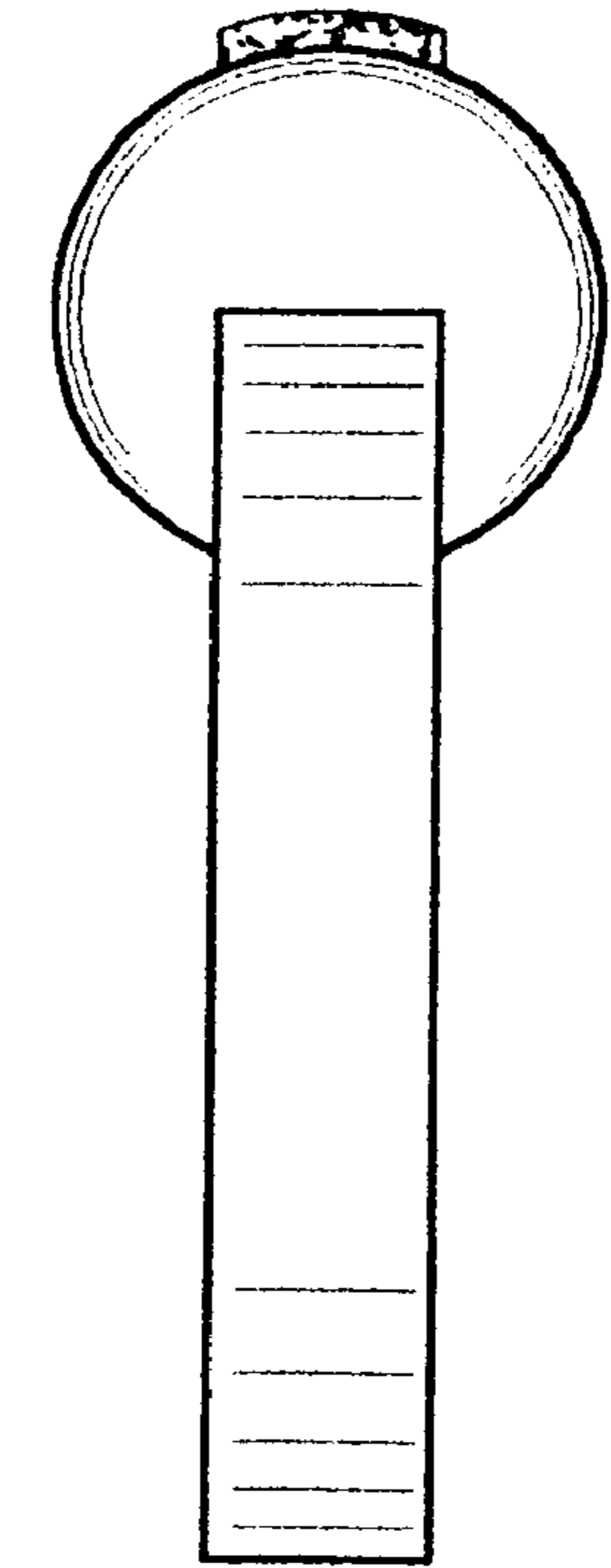


FIG. 4

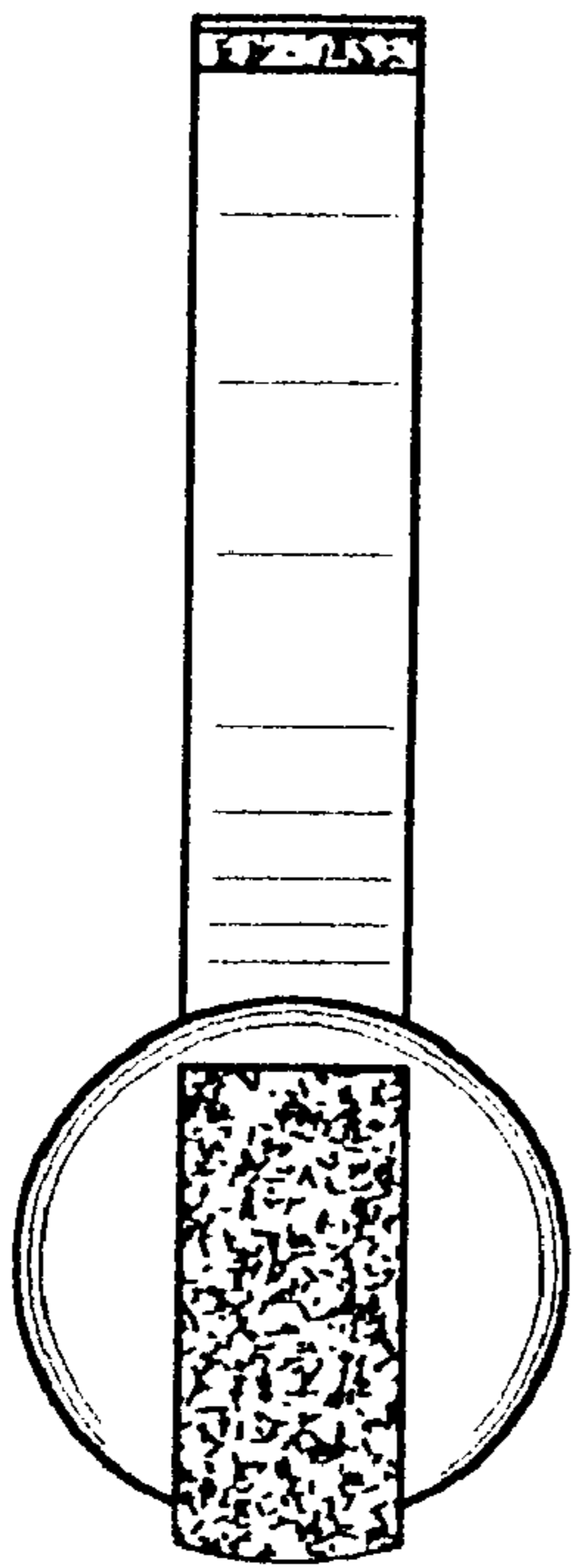


FIG. 3

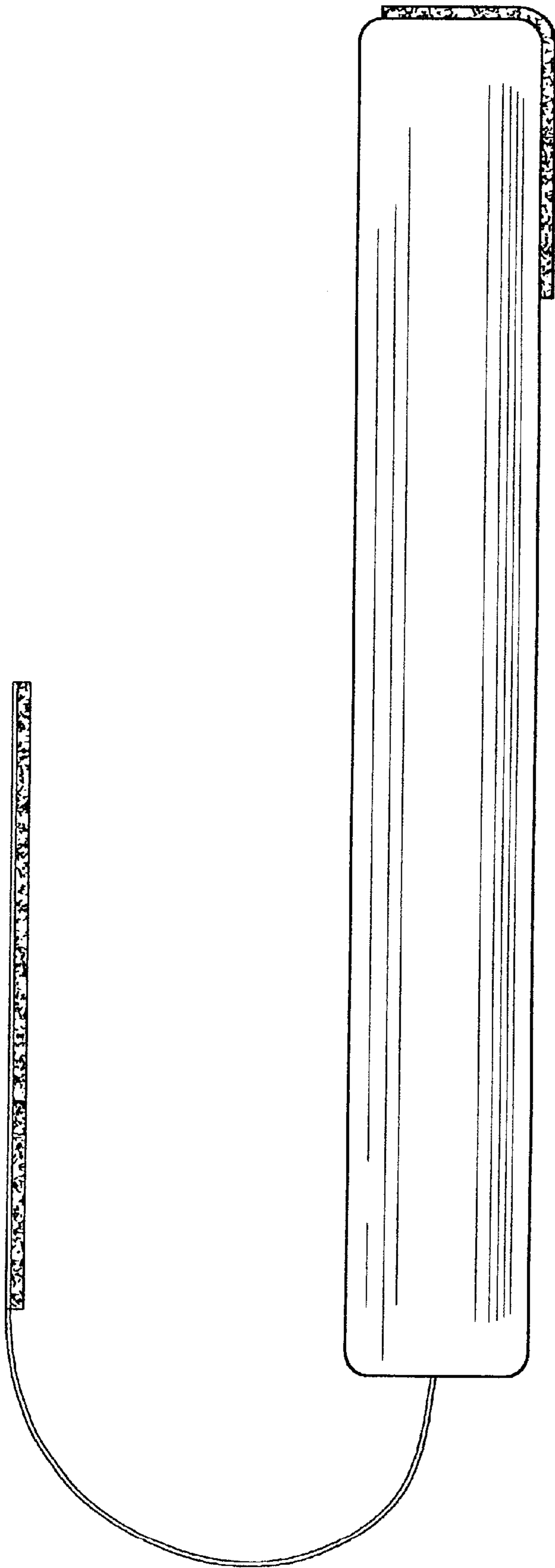


FIG. 5

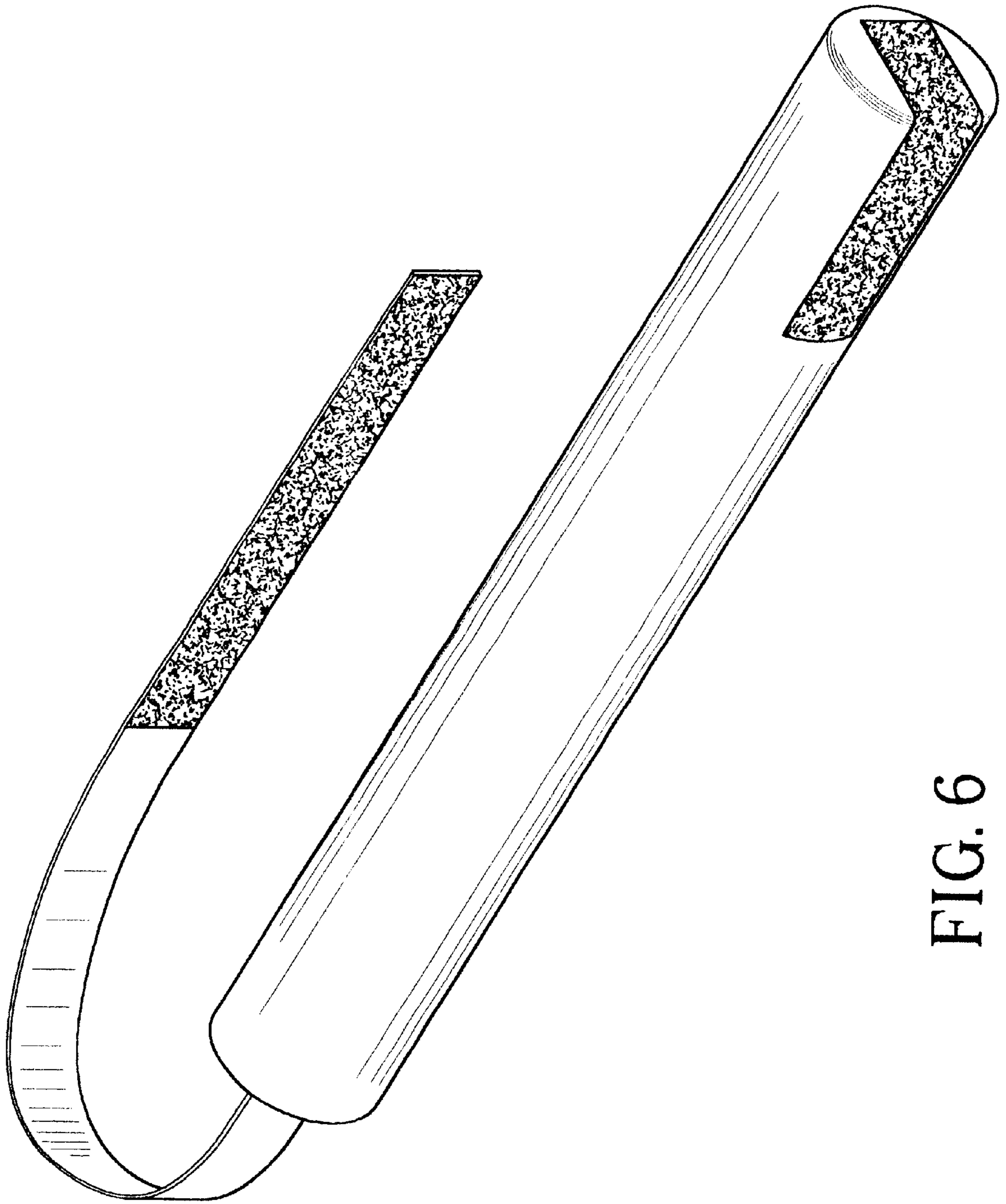


FIG. 6

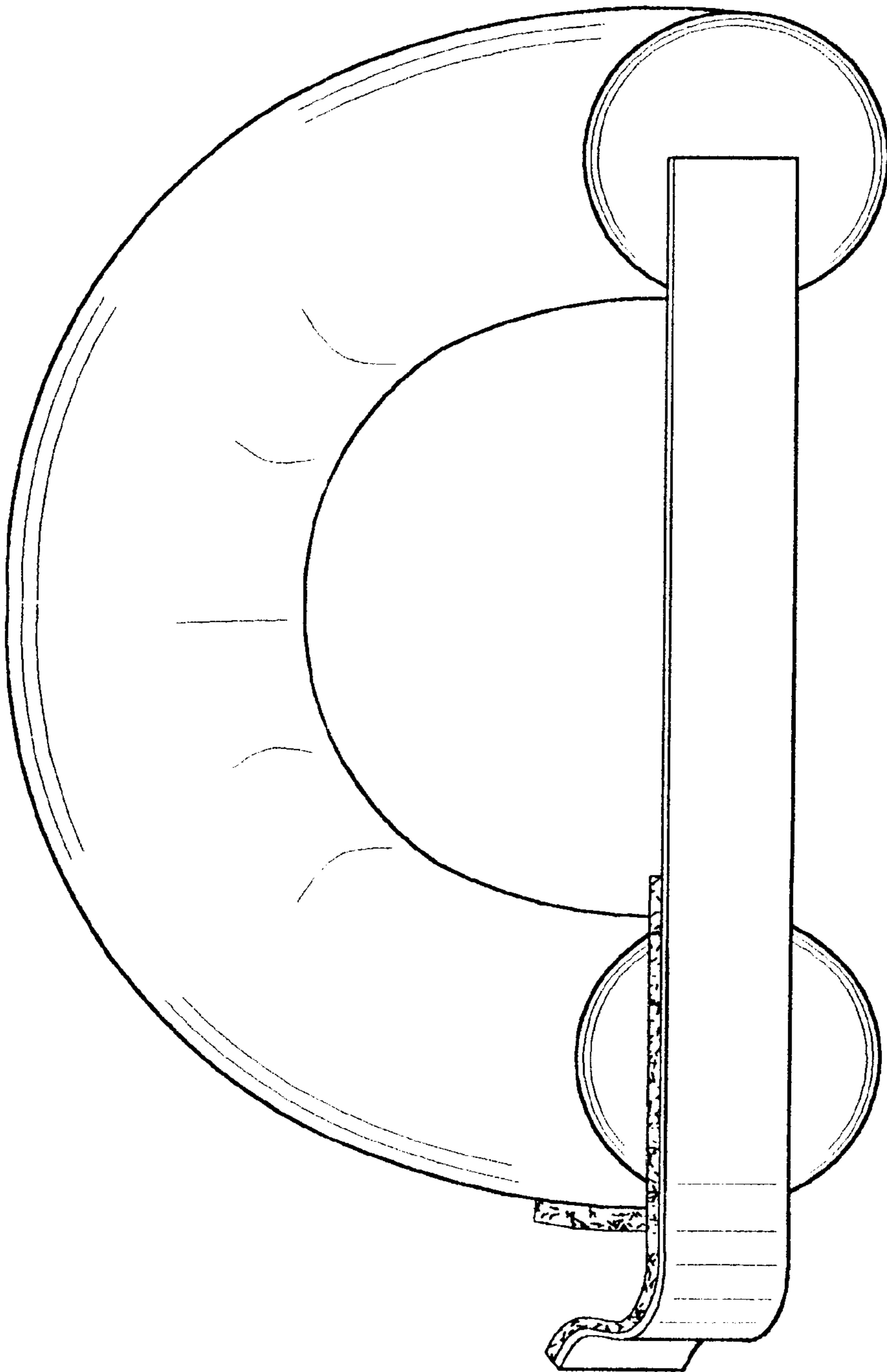


FIG. 7