



US00D447371B1

(12) **United States Design Patent**
Quinn

(10) **Patent No.: US D447,371 S**

(45) **Date of Patent: ** *Sep. 4, 2001**

(54) **ASSYMETRICAL DRAWER ORGANIZER**

(76) **Inventor: Forrest Quinn, 25 Via Lucca #J-436, Irvine, CA (US) 92612**

(* **Notice:** This patent is subject to a terminal disclaimer.

(**) **Term: 14 Years**

(21) **Appl. No.: 29/121,510**

(22) **Filed: Apr. 5, 2000**

(51) **LOC (7) Cl. 06-06**

(52) **U.S. Cl. D6/510**

(58) **Field of Search** D6/491, 510, 511;
D7/553.2, 637-641, 701, 708; D19/75,
77; 206/557, 561, 562; 211/126.1, 133.6,
183, 70.7; 312/348.3, 348.4

(56) **References Cited**

U.S. PATENT DOCUMENTS

| | | | | | |
|------------|---|---------|----------------|-------|----------|
| D. 132,963 | * | 4/1942 | Salomon | | D6/510 |
| D. 199,580 | * | 11/1964 | Boyd | | D7/553.2 |
| D. 224,730 | * | 9/1972 | Propst et al. | | D6/510 |
| D. 235,956 | * | 7/1975 | Noneman et al. | | D6/510 |
| D. 256,809 | * | 9/1980 | Evanson | | D19/75 |
| D. 278,254 | * | 4/1985 | Evanson | | D19/75 |
| D. 301,590 | * | 6/1989 | Foran et al. | | D19/77 |
| D. 332,553 | * | 1/1993 | Giugiaro | | D7/637 |
| D. 349,815 | * | 8/1994 | Wolff | | D6/510 X |

| | | | | | |
|------------|---|---------|---------------|-------|-------------|
| D. 378,533 | * | 3/1997 | Wolff | | D6/510 X |
| D. 397,274 | * | 8/1998 | Hise | | D7/637 |
| D. 402,130 | * | 12/1998 | Wolff | | D6/511 X |
| D. 402,855 | * | 12/1998 | Zapata | | D7/637 |
| D. 421,554 | * | 3/2000 | Govrik et al. | | D7/637 |
| 5,242,223 | * | 9/1993 | Koves | | 312/348.3 |
| 5,265,735 | * | 11/1993 | Hassel et al. | | 211/126.1 X |

* cited by examiner

Primary Examiner—Cathron C. Brooks

(74) *Attorney, Agent, or Firm*—Gene Scott-Patent Law & Venture Group

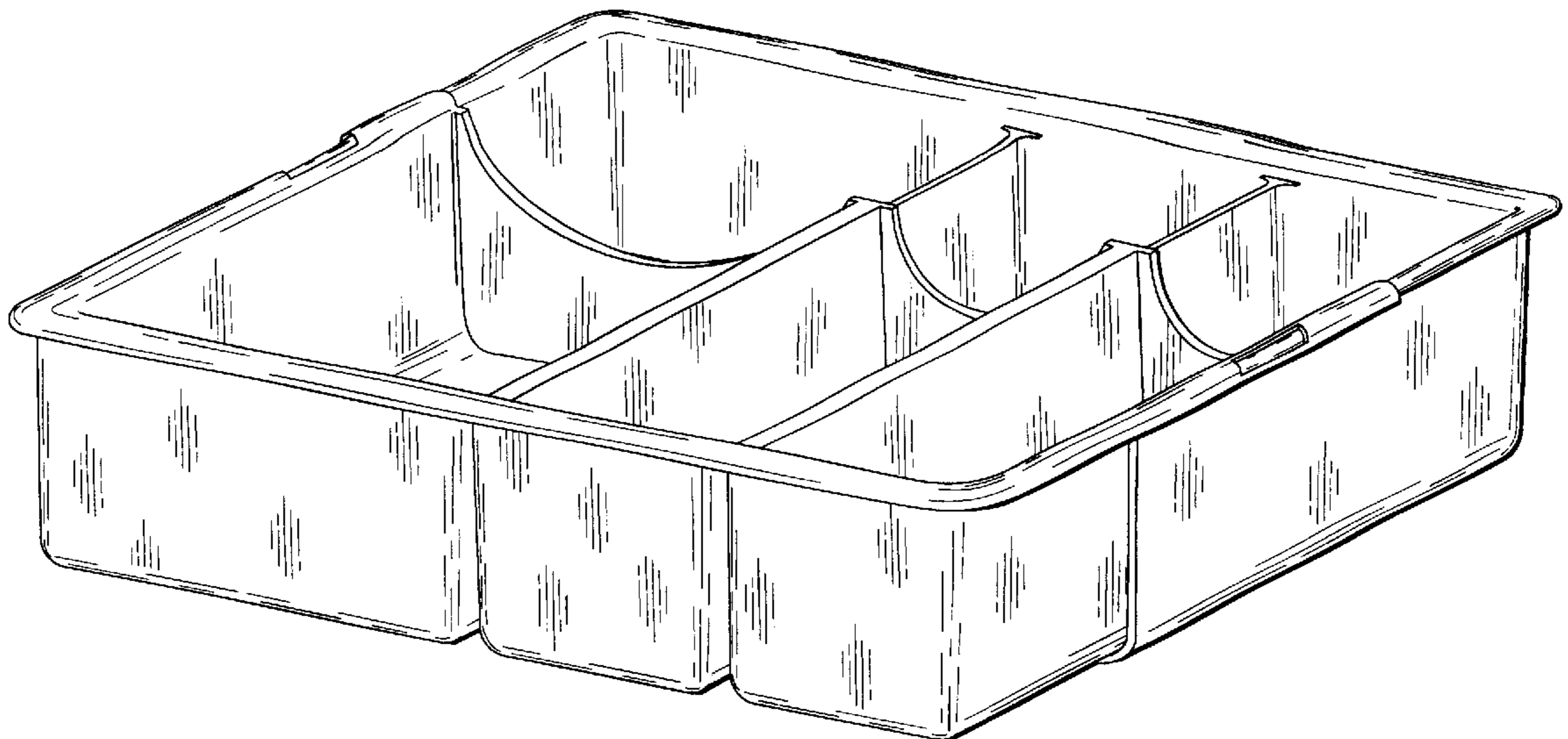
(57) **CLAIM**

The ornamental design for a assymetrical drawer organizer, as shown and described.

DESCRIPTION

FIG. 1 is a perspective view of an assymetrical drawer organizer, showing my new design;
 FIG. 2 is an interior elevational view of one half thereof;
 FIG. 3 is an interior elevational view of a second half thereof;
 FIG. 4 is a top plan view thereof;
 FIG. 5 is a bottom plan view thereof;
 FIG. 6 is a front elevational view thereof;
 FIG. 7 is a rear elevational view thereof; and,
 FIG. 8 is a left side elevational view thereof, the right side elevational view being a mirror image of the left side.

1 Claim, 3 Drawing Sheets



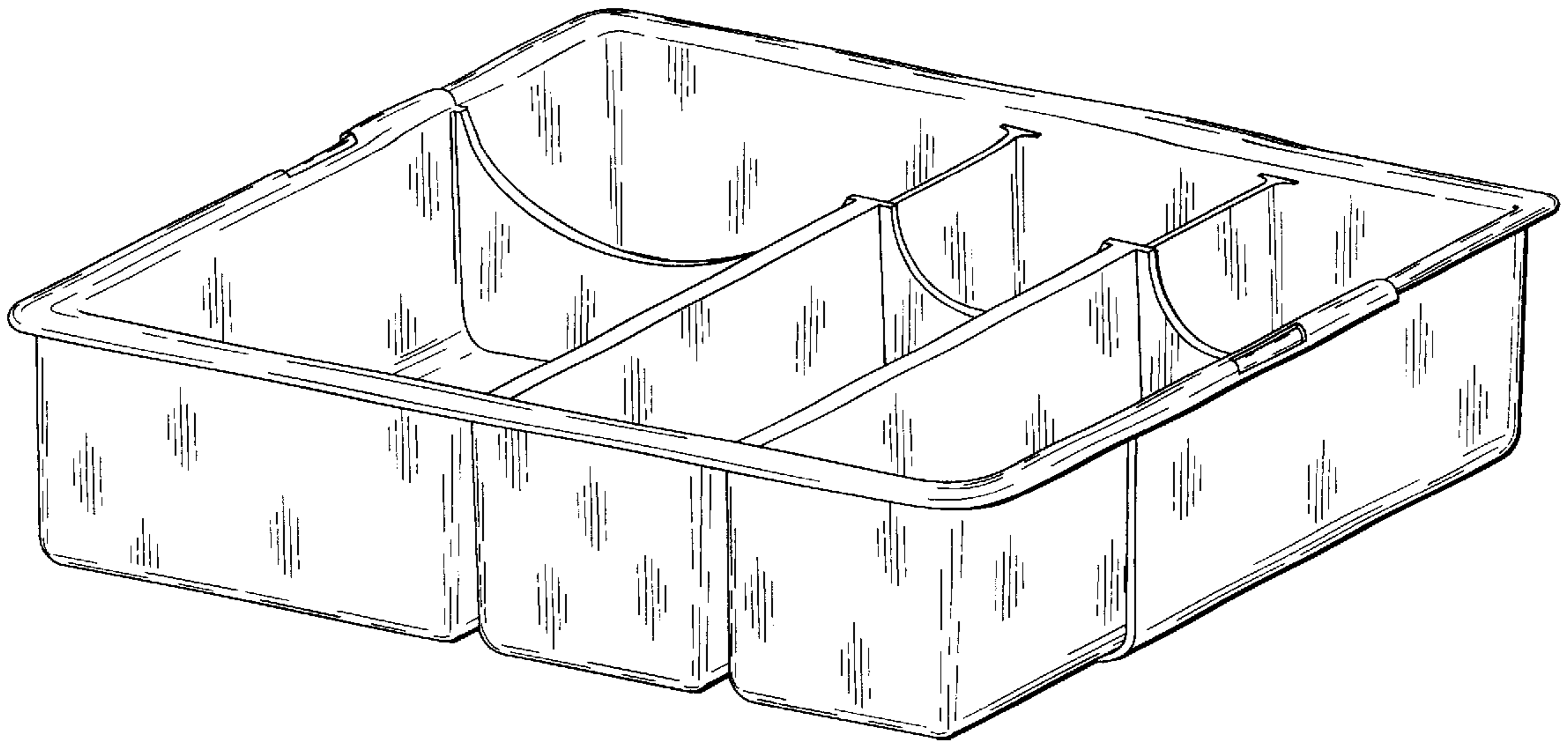


Fig. 1

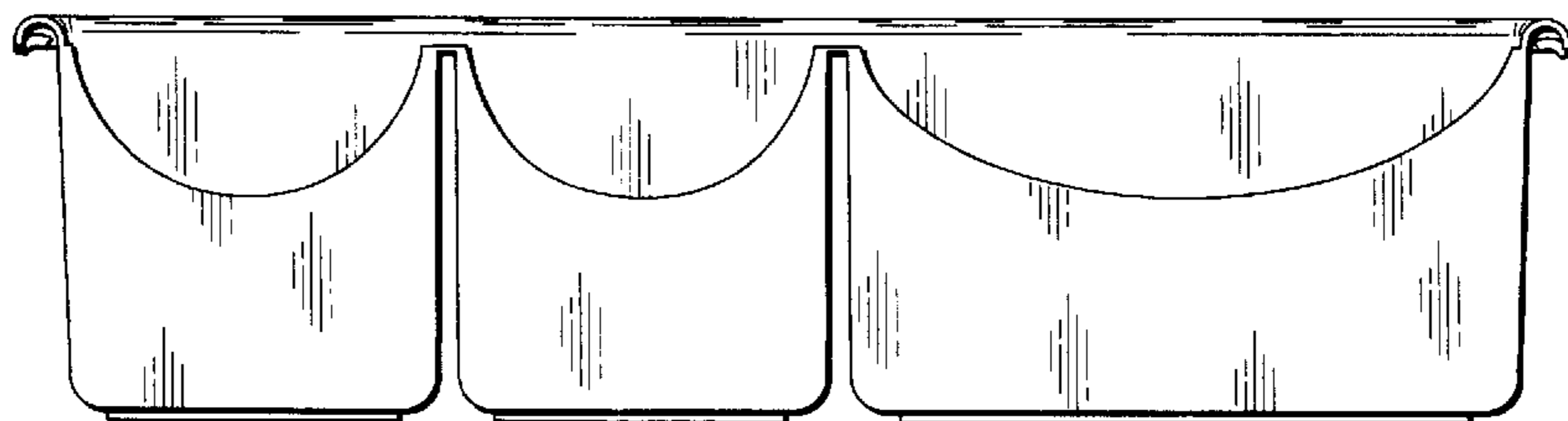


Fig. 2

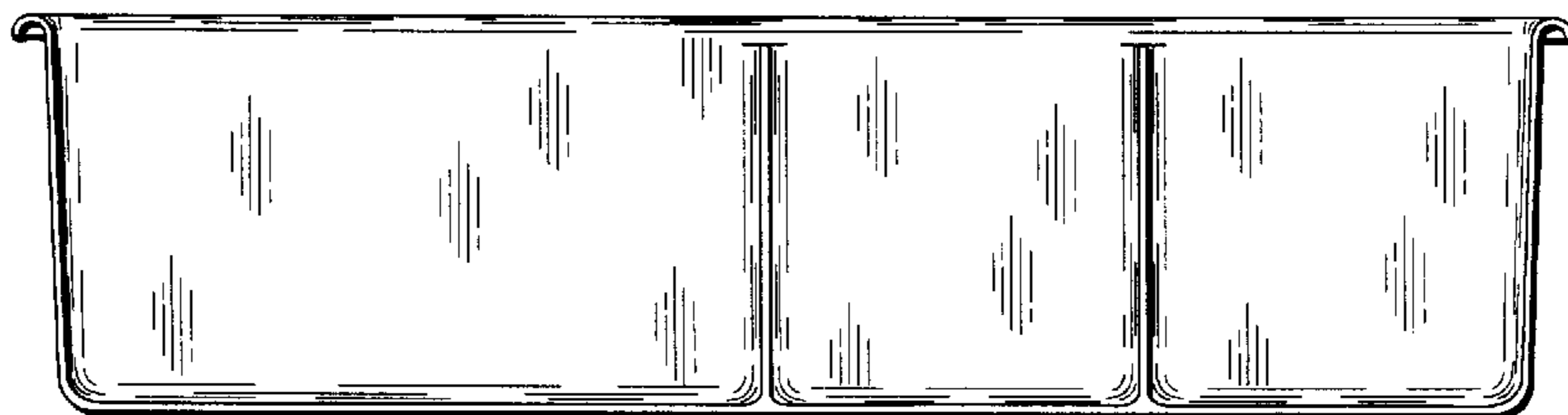


Fig. 3

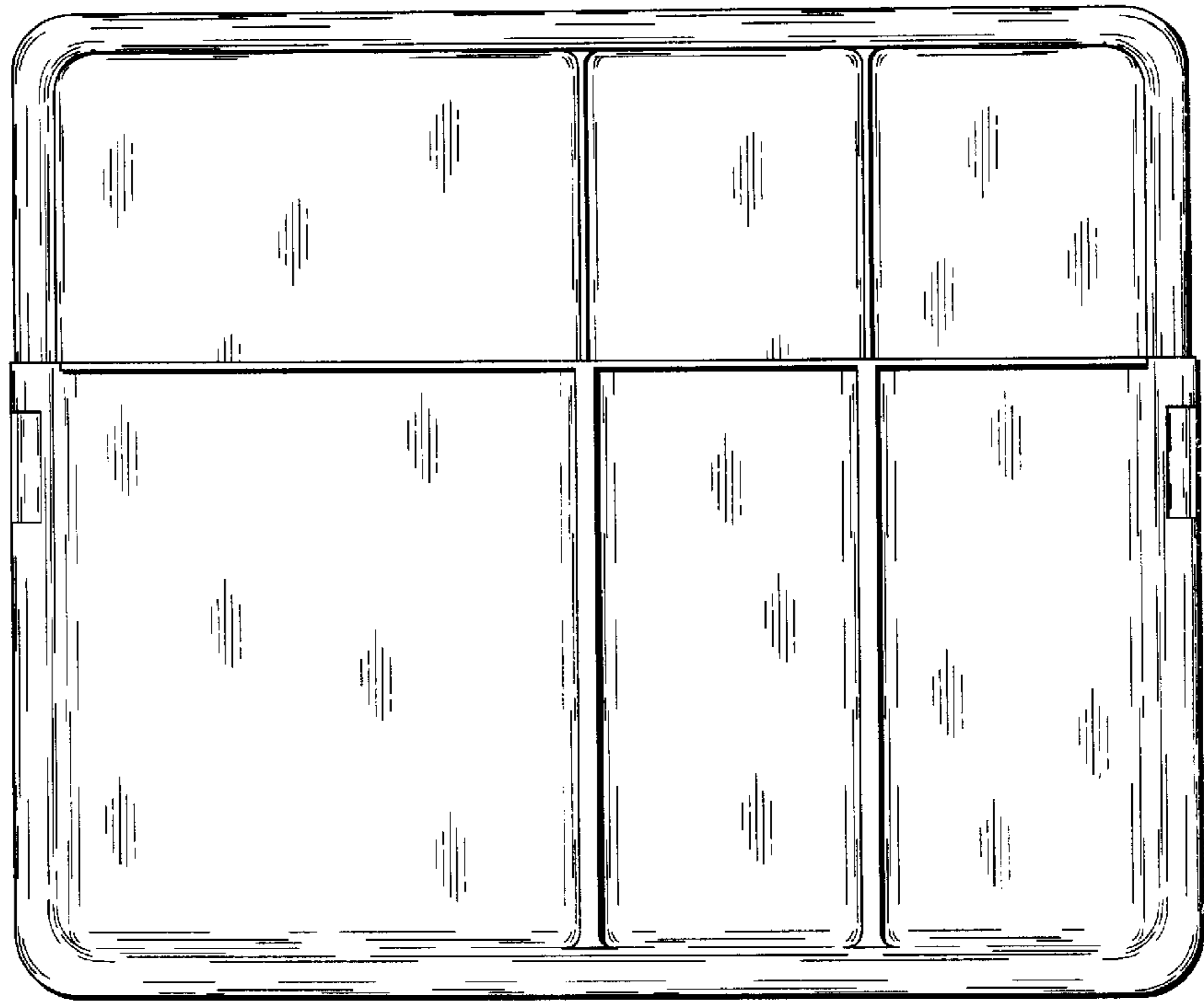


Fig. 4

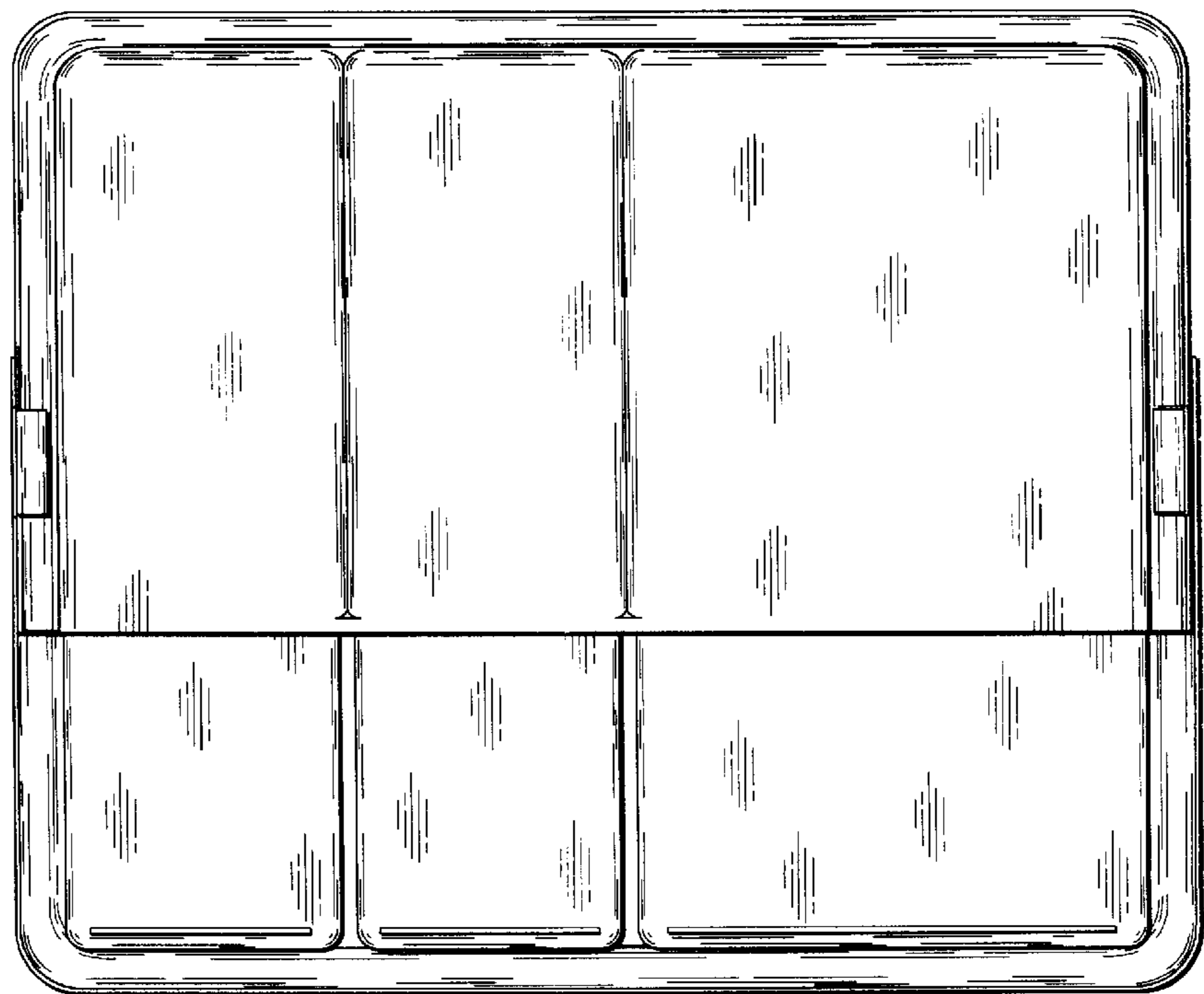


Fig. 5

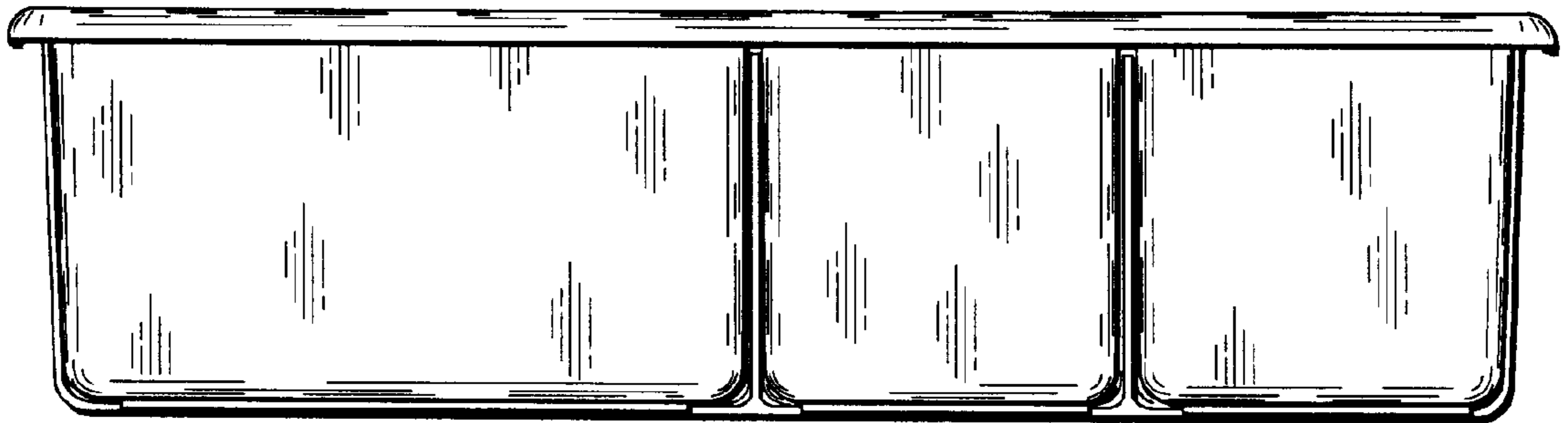


Fig. 6

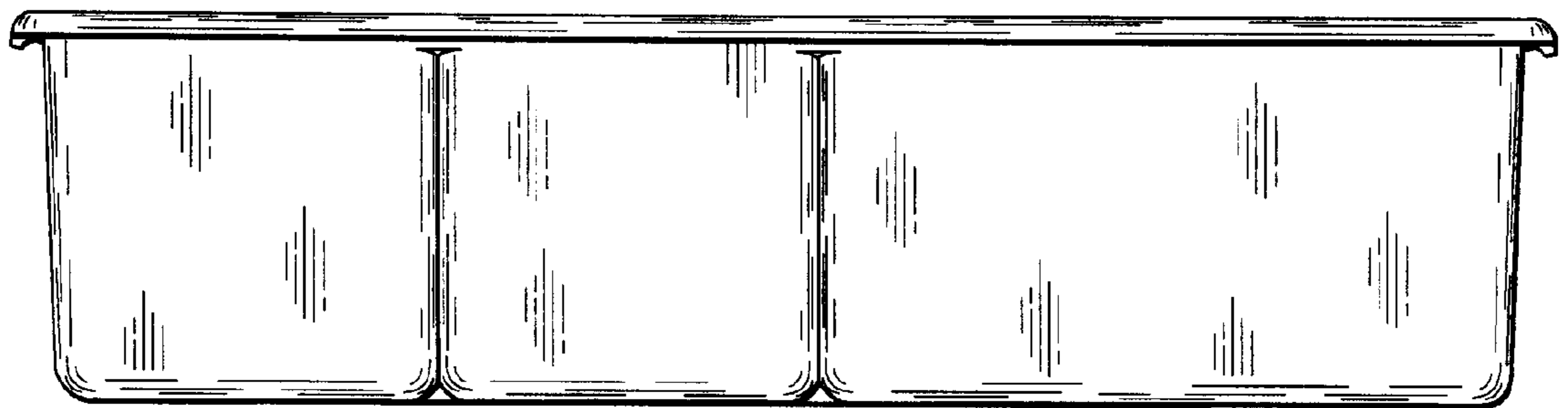


Fig. 7

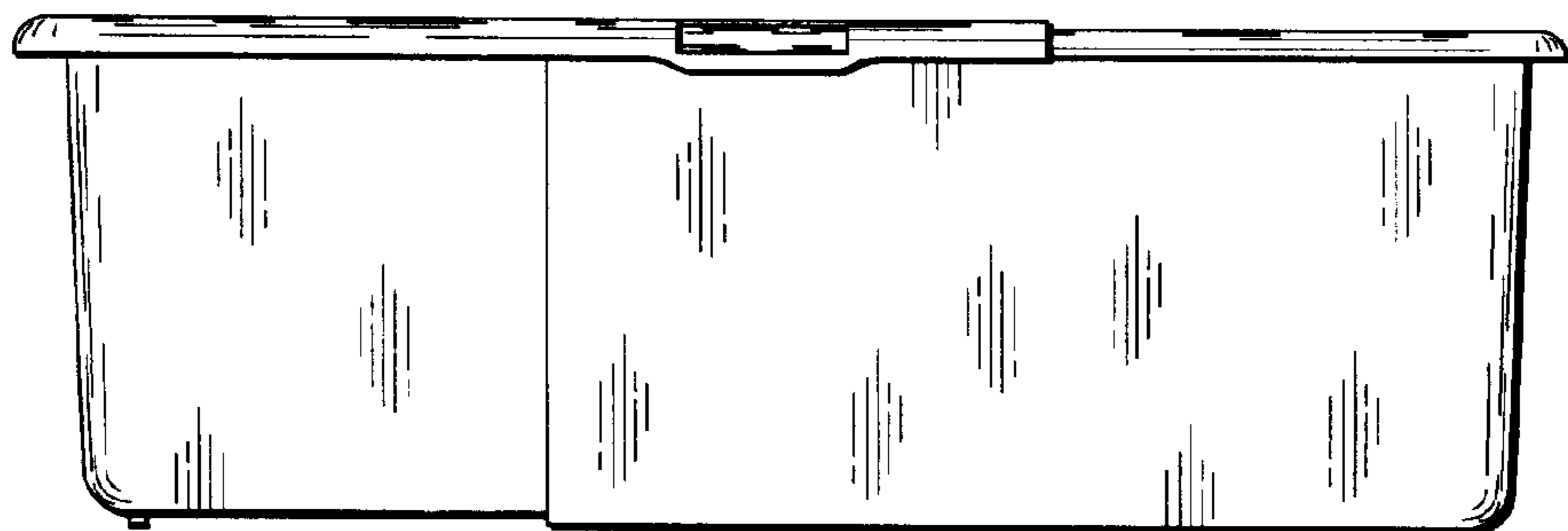


Fig. 8