



US00D447366B1

(12) **United States Design Patent**
Skalka

(10) **Patent No.:** **US D447,366 S**

(45) **Date of Patent:** **** Sep. 4, 2001**

(54) **MODULAR CHAIR COMPONENT**

(75) **Inventor:** **Gerald P. Skalka, Potomac, MD (US)**

(73) **Assignee:** **Victor Stanley, Inc., Dunkirk, MD (US)**

(**) **Term:** **14 Years**

(21) **Appl. No.:** **29/132,994**

(22) **Filed:** **Nov. 21, 2000**

Related U.S. Application Data

(62) Division of application No. 29/099,046, filed on Jan. 12, 1999, now Pat. No. Des. 438,035.

(51) **LOC (7) Cl.** **06-06**

(52) **U.S. Cl.** **D6/500**

(58) **Field of Search** D6/334, 336, 368, D6/369, 370, 374, 379, 380, 381, 500, 501, 502; 297/232, 452.21, 452.46, 452.63

(56) **References Cited**

U.S. PATENT DOCUMENTS

- D. 185,164 5/1959 Molla .
- D. 185,540 6/1959 Everly .
- D. 216,115 11/1969 Suzuki .
- D. 224,634 8/1972 Kohl et al. .
- D. 225,946 1/1973 Morrison et al. .
- D. 229,591 12/1973 Trail et al. .
- D. 233,964 12/1974 Morrison et al. .
- D. 247,597 3/1978 Glaser .
- D. 264,151 5/1982 Sauls et al. .

- D. 296,628 7/1988 Glass .
- D. 314,677 2/1991 Hanna .
- D. 327,586 7/1992 Skalka .
- D. 341,267 11/1993 Caldwell .
- D. 345,869 4/1994 Grosfillex .
- D. 376,271 12/1996 Skalka .
- D. 381,536 7/1997 Kane .
- D. 383,615 9/1997 Skalka .
- D. 383,627 9/1997 Kane .
- D. 384,512 10/1997 Skalka .
- D. 385,442 10/1997 Kane .
- D. 386,012 11/1997 Skalka .
- D. 386,333 11/1997 Kane .
- D. 407,570 4/1999 Frauenberger .
- 1,945,113 1/1934 Kloboučnik .
- 3,544,164 12/1970 Ohta .
- 4,804,225 2/1989 Fourrey et al. .
- 5,083,838 1/1992 Maxwell, Jr. .
- 5,636,901 6/1997 Grilliot et al. .

Primary Examiner—Doris V. Coles

Assistant Examiner—Mimosa De

(74) *Attorney, Agent, or Firm*—Jacobson Holman, PLLC

(57) **CLAIM**

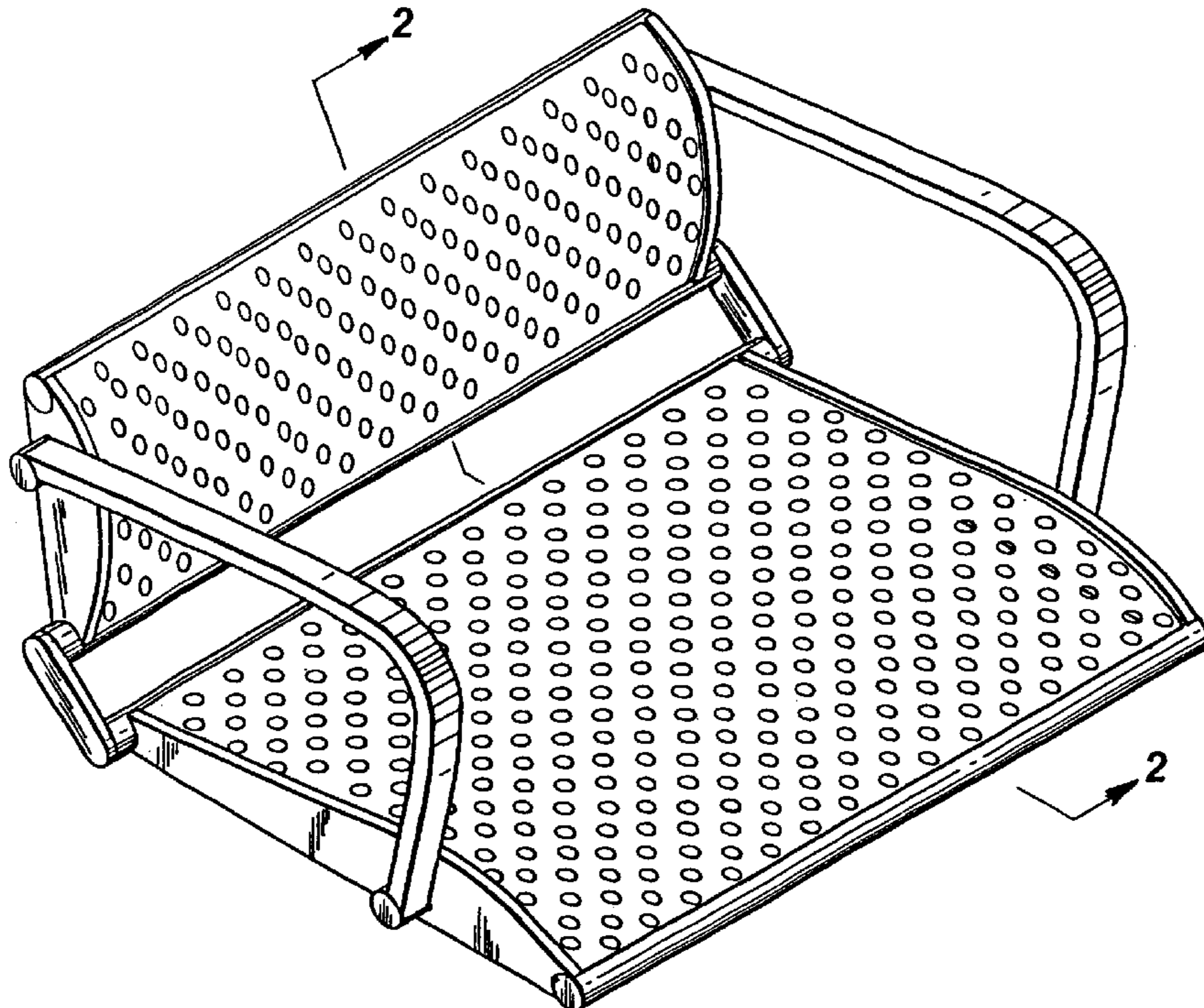
The ornamental design for a modular chair component, as shown.

DESCRIPTION

FIG. 1 is a perspective view of a modular chair component of my new design; and,

FIG. 2 is a cross-sectional view of the modular chair component of FIG. 1, taken along line 2—2 of FIG. 1.

1 Claim, 1 Drawing Sheet



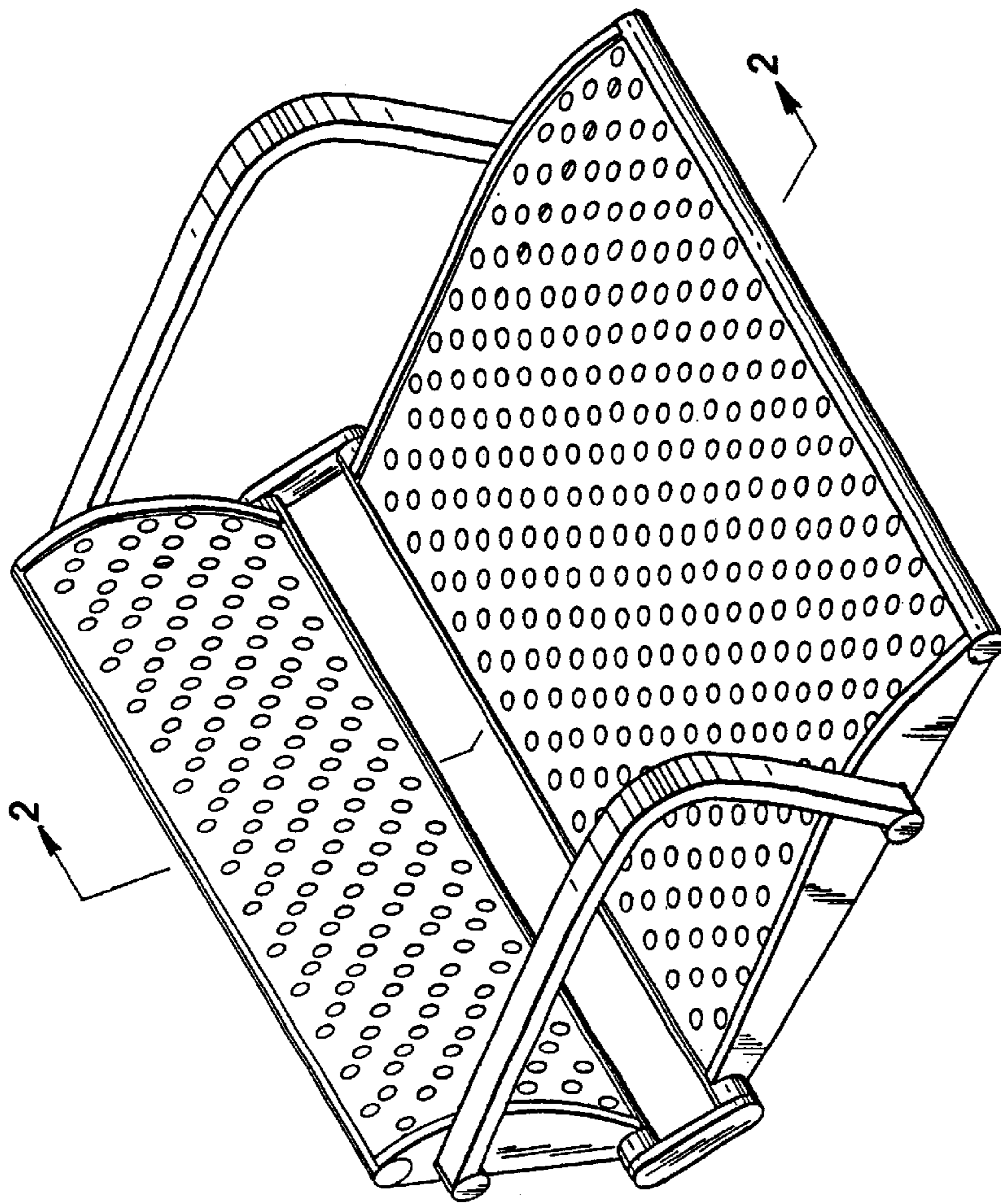


FIG. 1

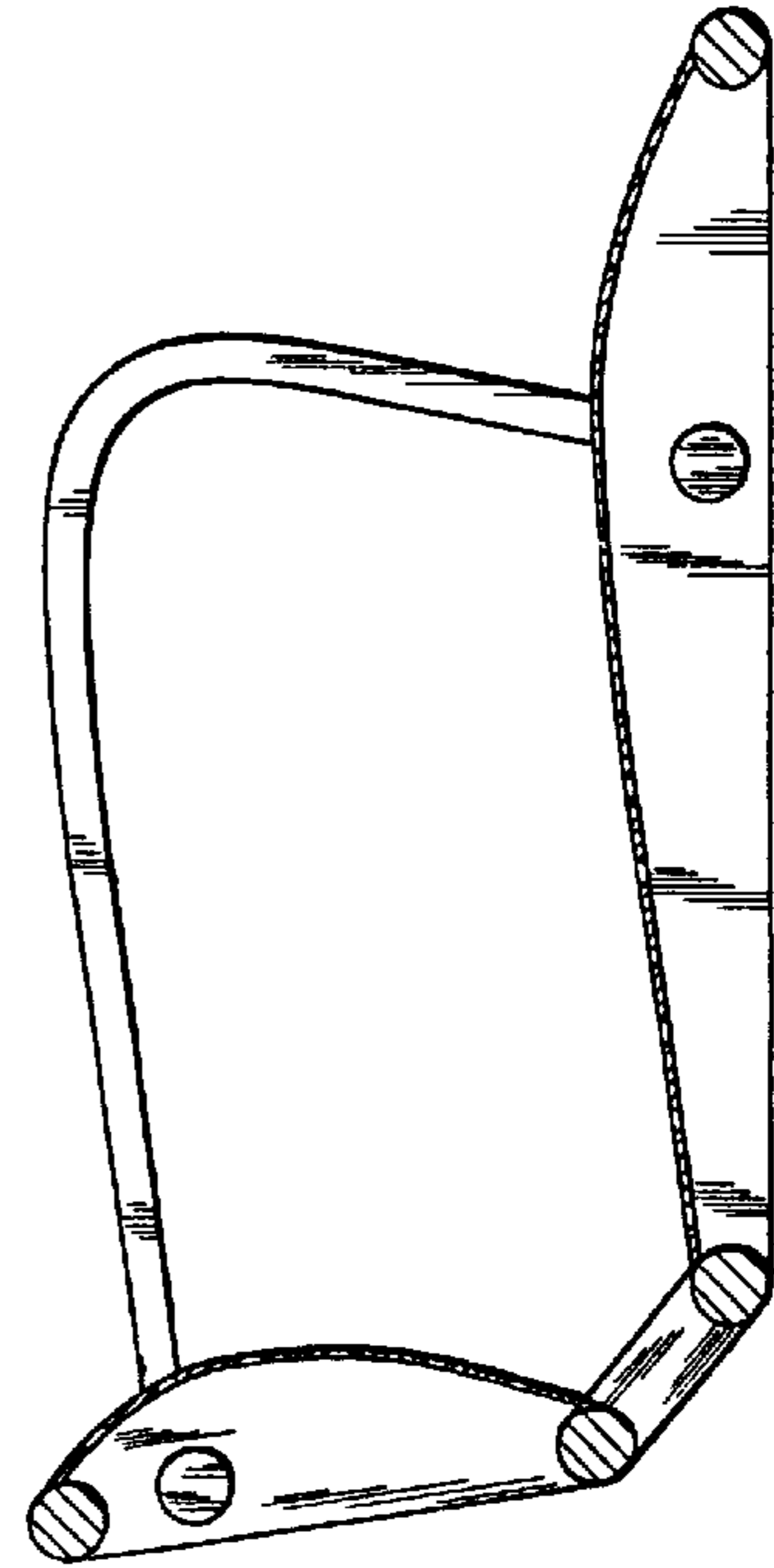


FIG. 2