



US00D447365B1

(12) **United States Design Patent**  
**Chi**

(10) **Patent No.:** **US D447,365 S**

(45) **Date of Patent:** **\*\* Sep. 4, 2001**

(54) **CHAIR BASE**

(76) Inventor: **Ching-Hui Chi**, No. 24-2, Hsi Wei Street, San Chung City, Taipei Hsien (TW)

(\*\*) Term: **14 Years**

(21) Appl. No.: **29/131,924**

(22) Filed: **Oct. 31, 2000**

(51) **LOC (7) Cl.** ..... **06-06**

(52) **U.S. Cl.** ..... **D6/495**

(58) **Field of Search** ..... D6/334, 349, 364, D6/365, 367, 495, 499, 500-502; 297/4, 423.1, 423.39, 423.41, 461, 462; 248/188, 188.1, 346.01

(56) **References Cited**

**U.S. PATENT DOCUMENTS**

- D. 364,283 \* 11/1995 Zaidman ..... D6/365
- D. 406,971 \* 3/1999 McDiarmid ..... D6/495
- D. 419,005 \* 1/2000 McDiarmid ..... D6/495

\* cited by examiner

*Primary Examiner*—Doris V. Coles

*Assistant Examiner*—Mimosa De

(74) *Attorney, Agent, or Firm*—Rosenberg, Klein & Lee

(57) **CLAIM**

The ornamental design for a chair base, as shown and described.

**DESCRIPTION**

FIG. 1 is a perspective view of a chair base showing my new design;

FIG. 2 is a front elevational view thereof;

FIG. 3 is a rear elevational view thereof;

FIG. 4 is a left side elevational view thereof;

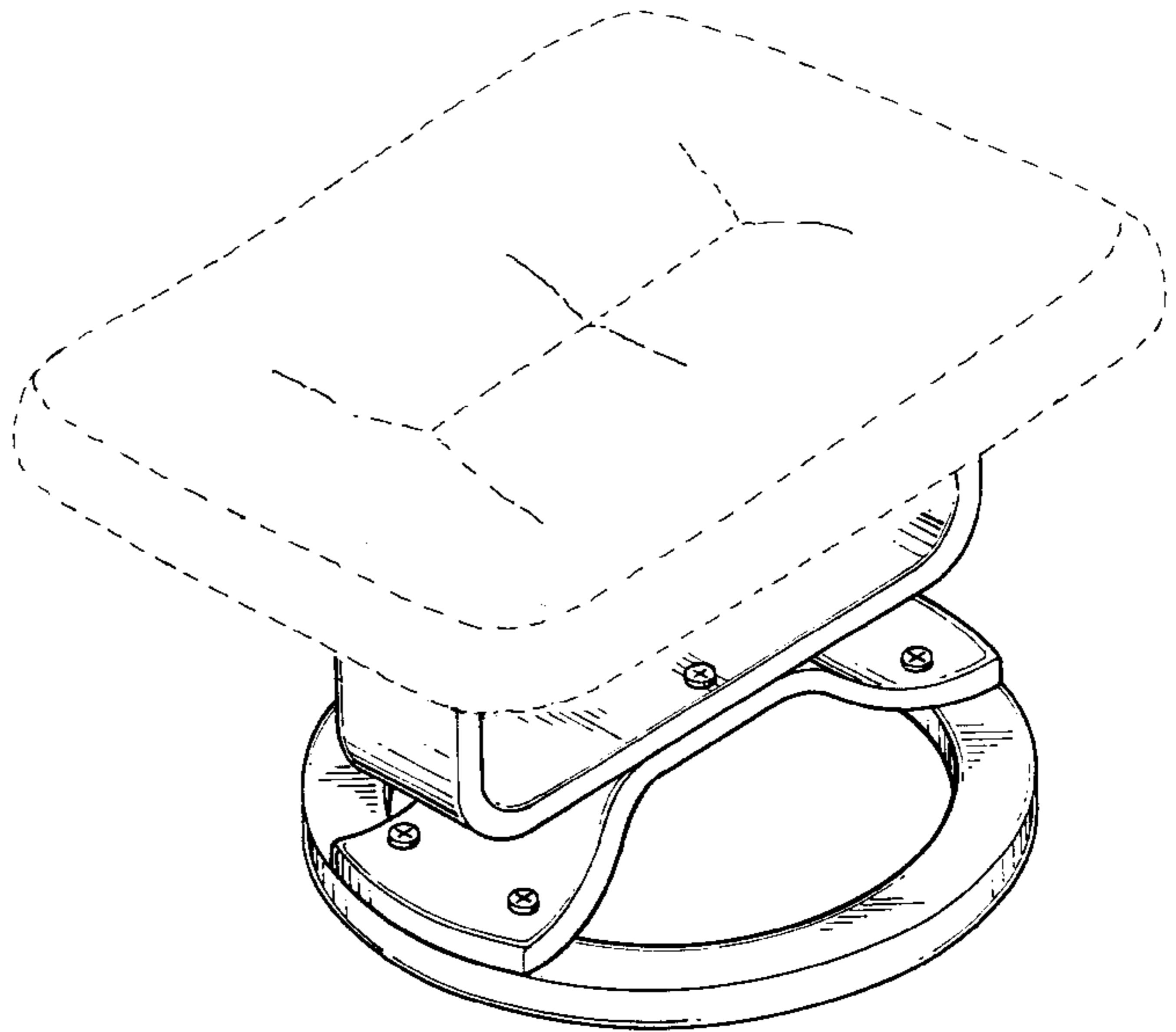
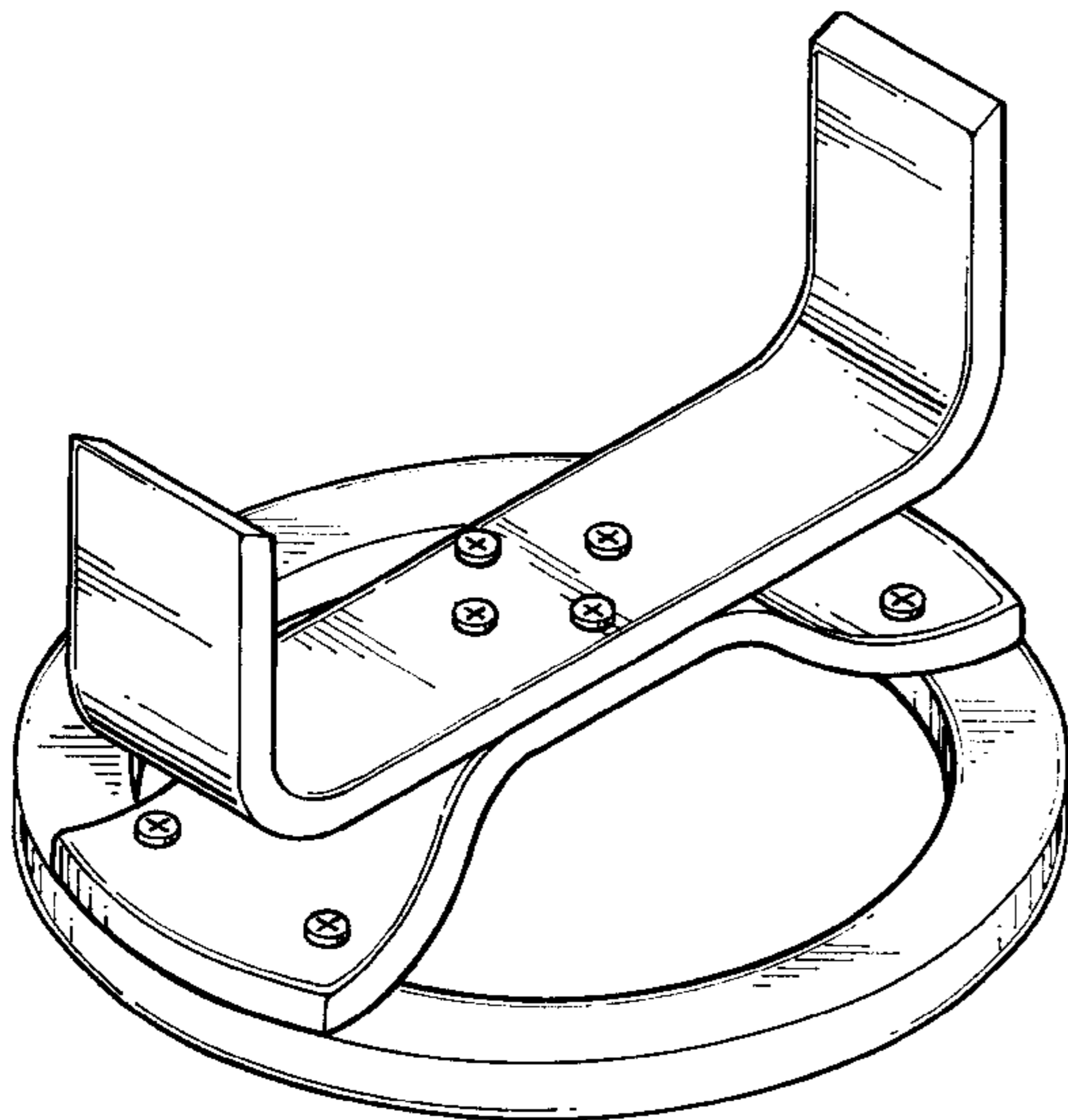
FIG. 5 is a right side elevational view thereof;

FIG. 6 is a top plan view thereof;

FIG. 7 is a bottom plan view thereof; and,

FIG. 8 is a perspective view of a chair base with a seat cushion in broken line is for illustrative purposes only and forms no part of the claimed design.

**1 Claim, 5 Drawing Sheets**



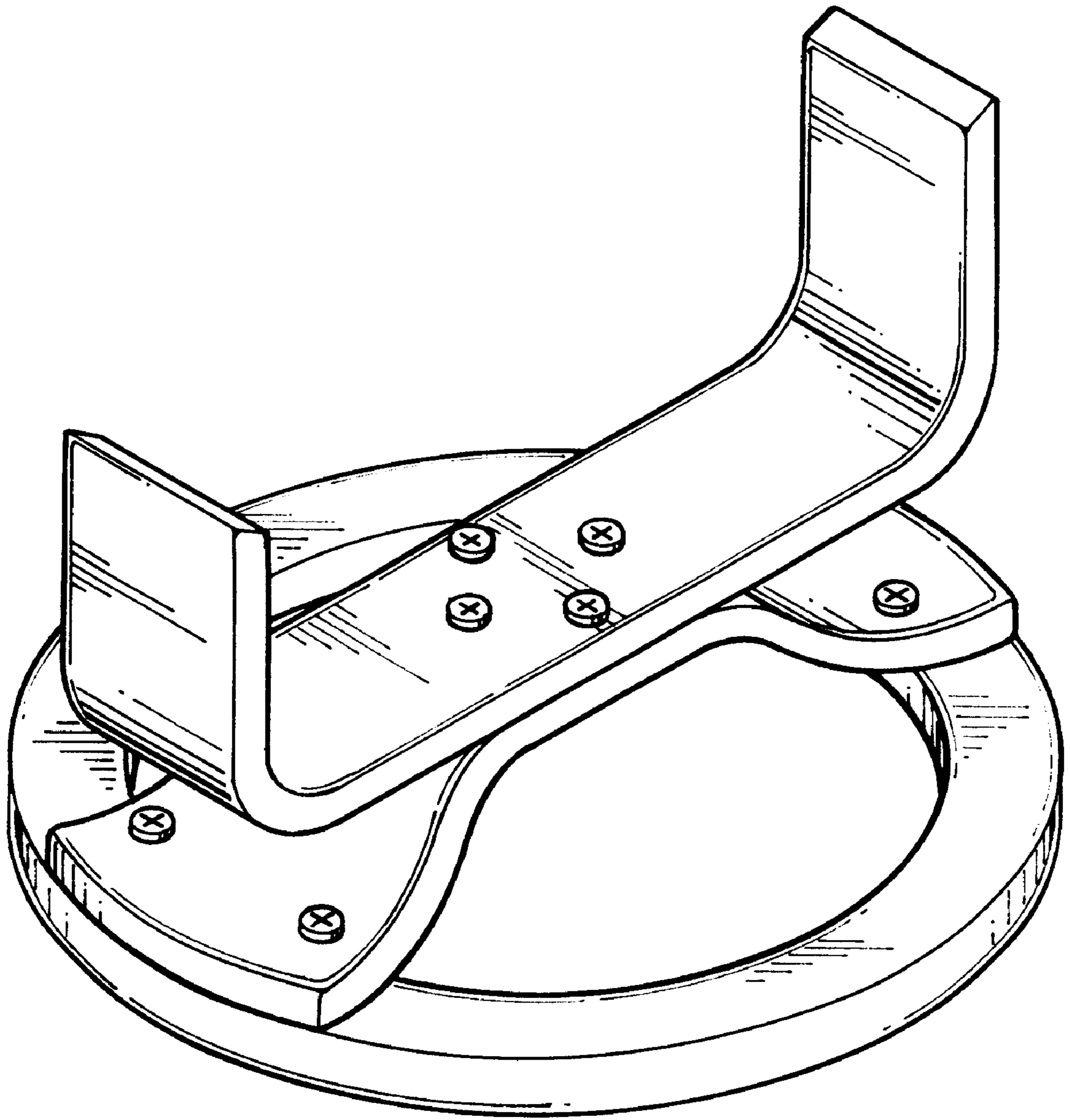
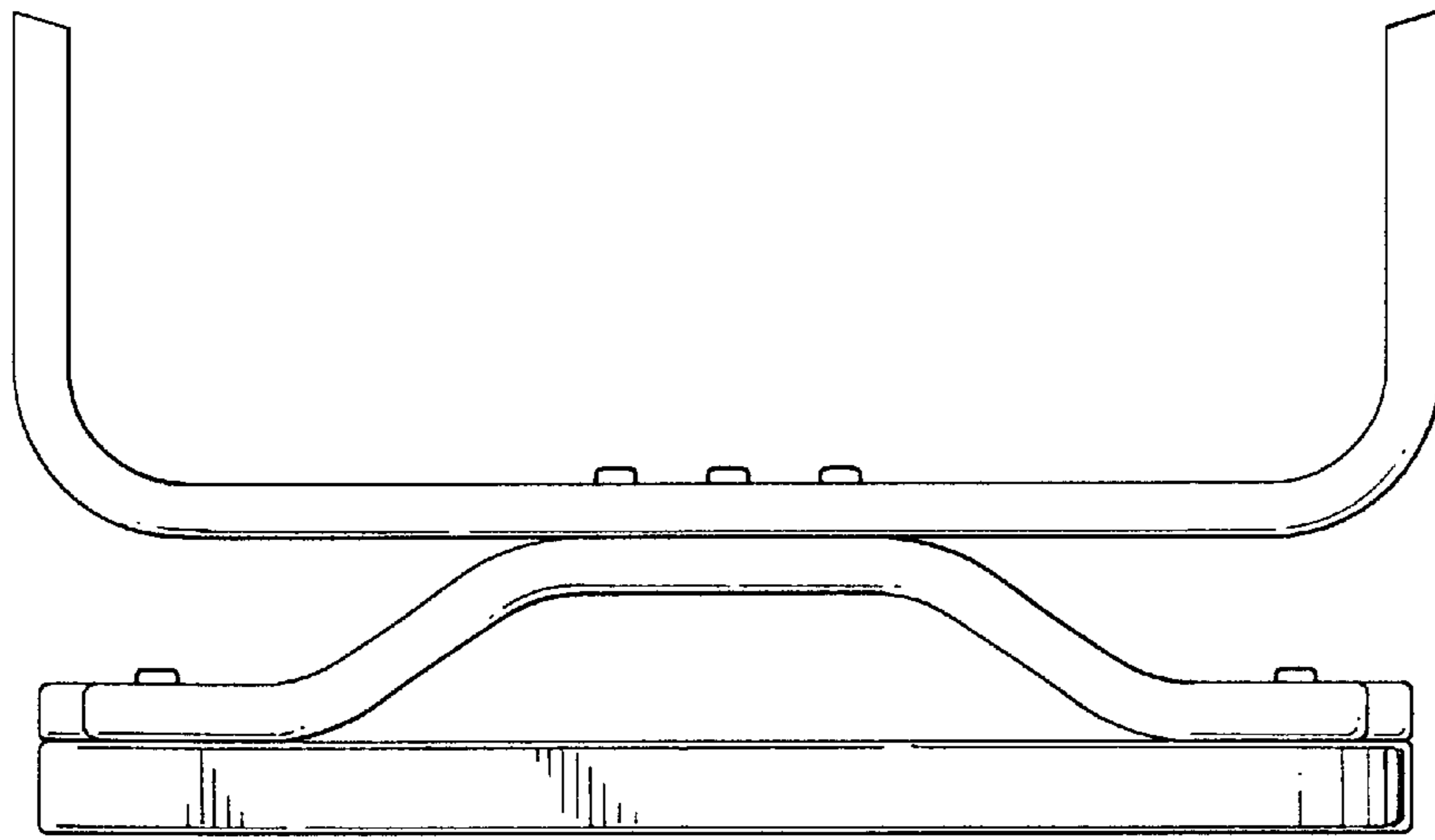
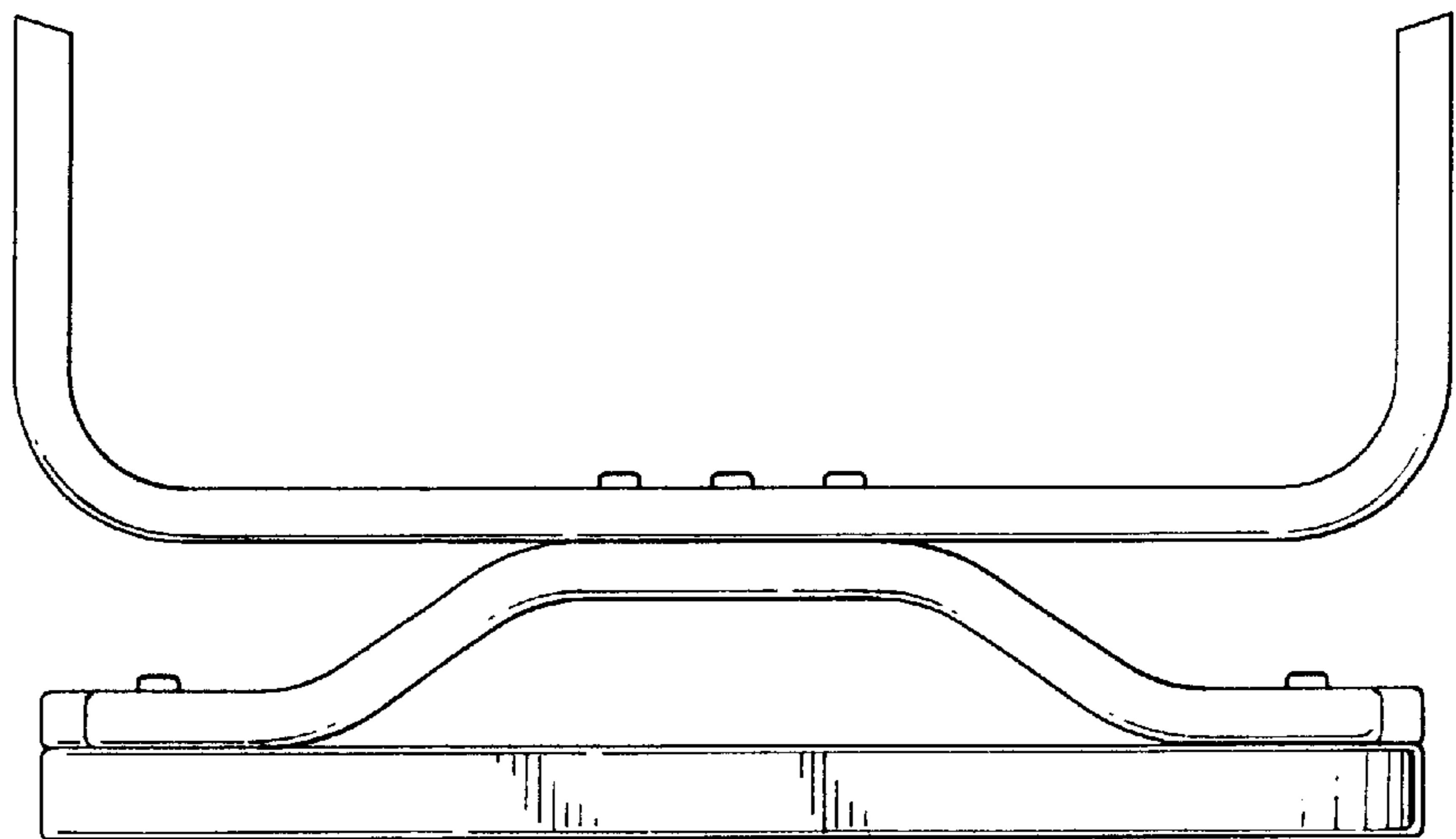


FIG. 1



F I G . 2



F I G . 3

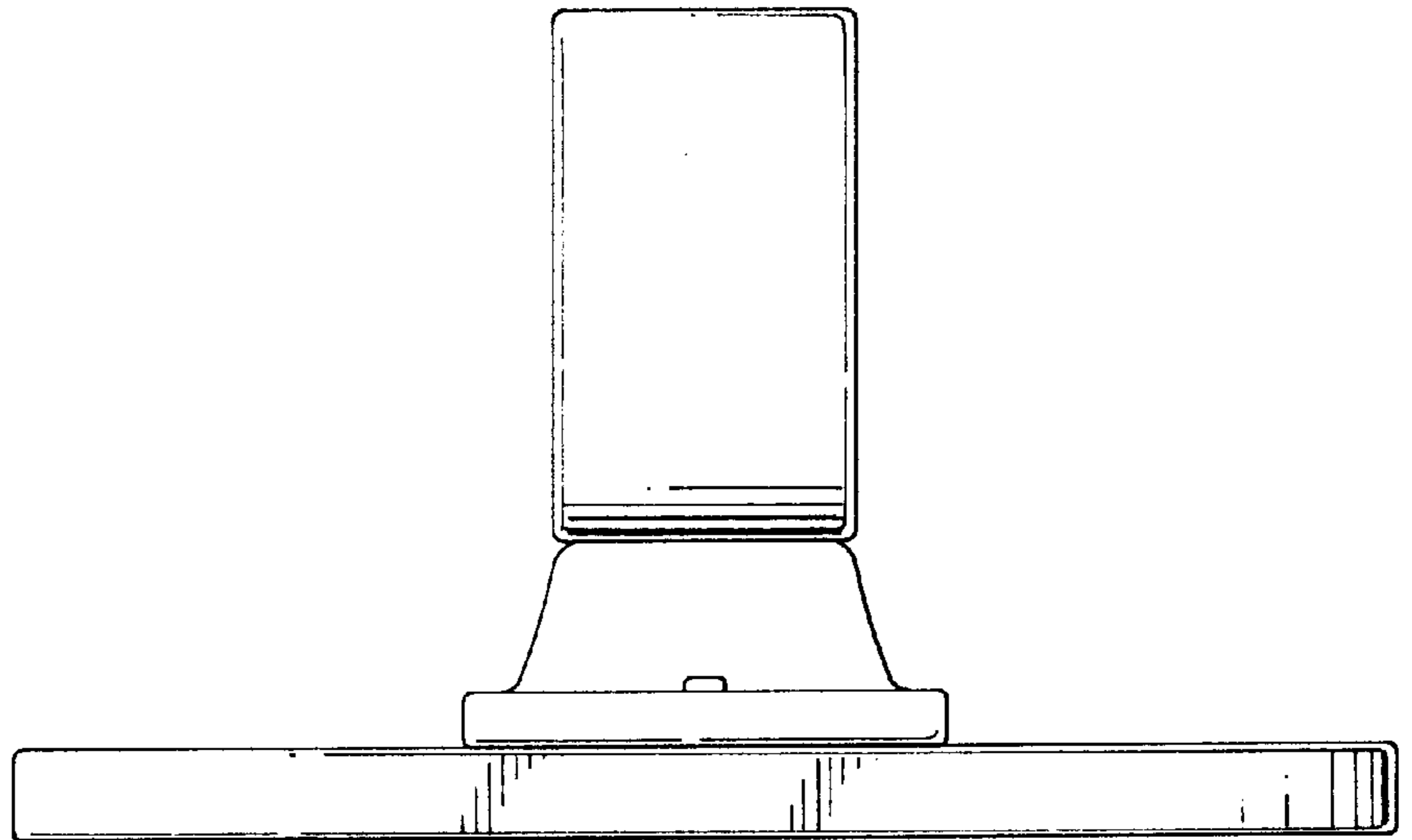


FIG. 4

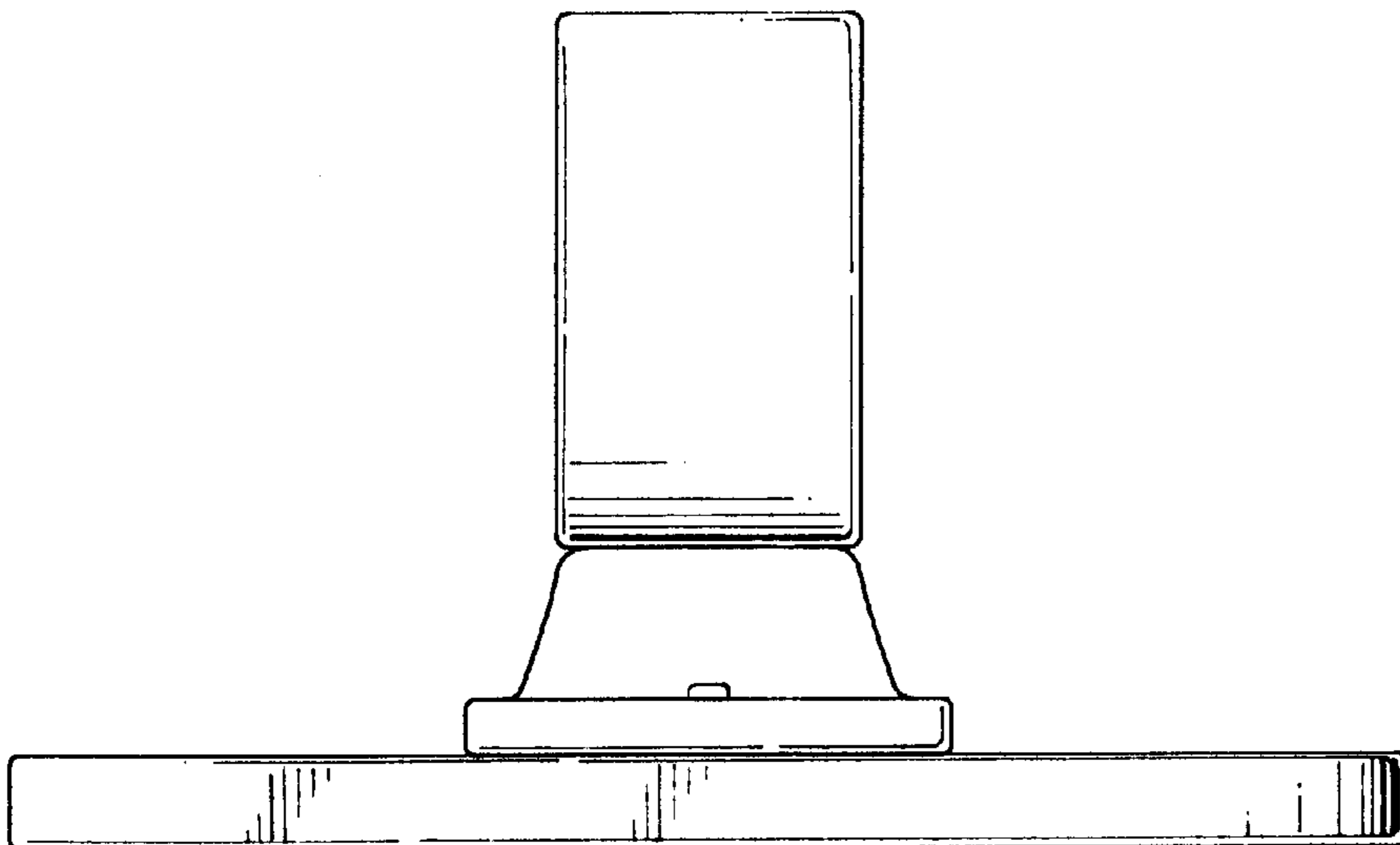
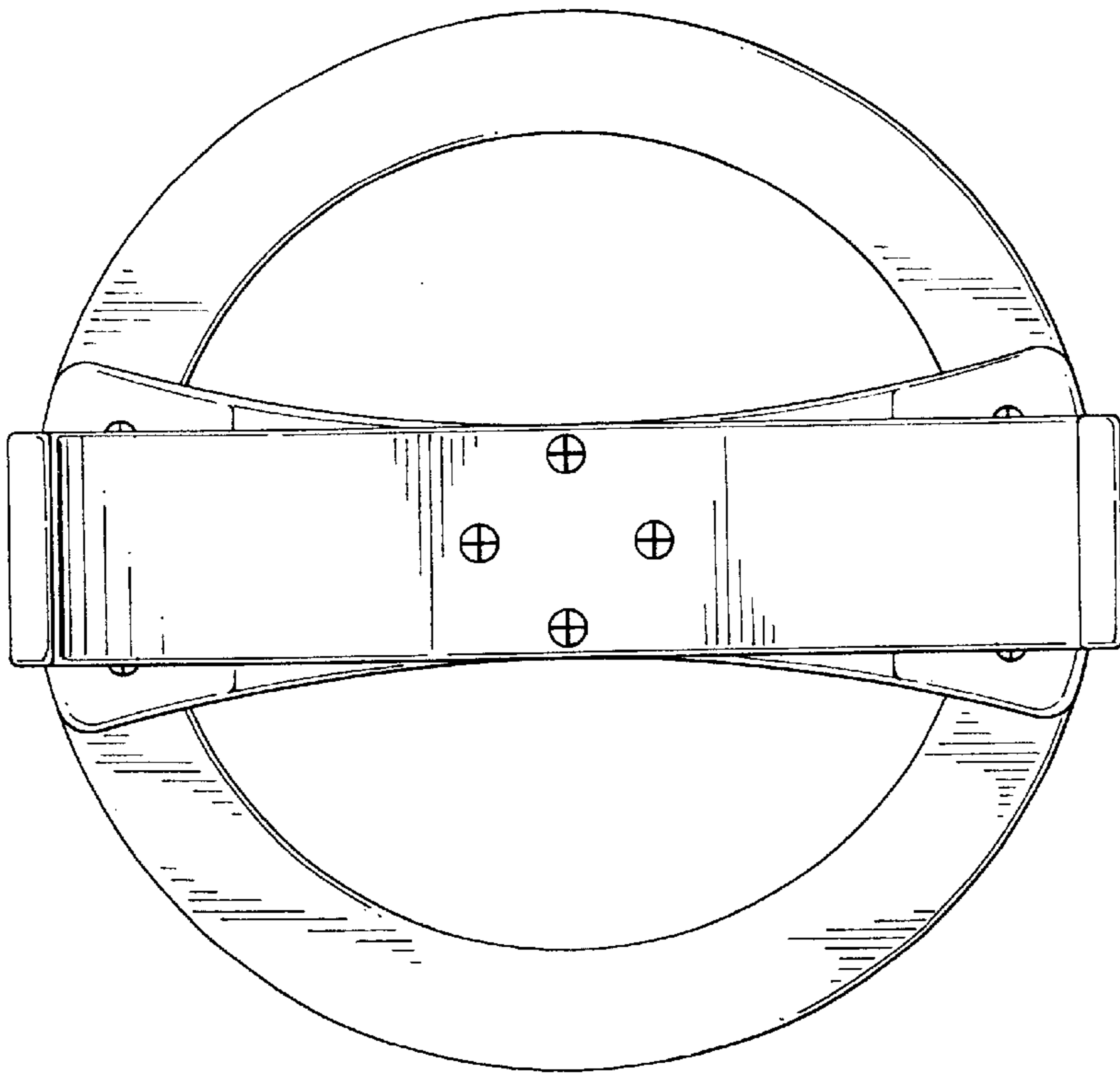
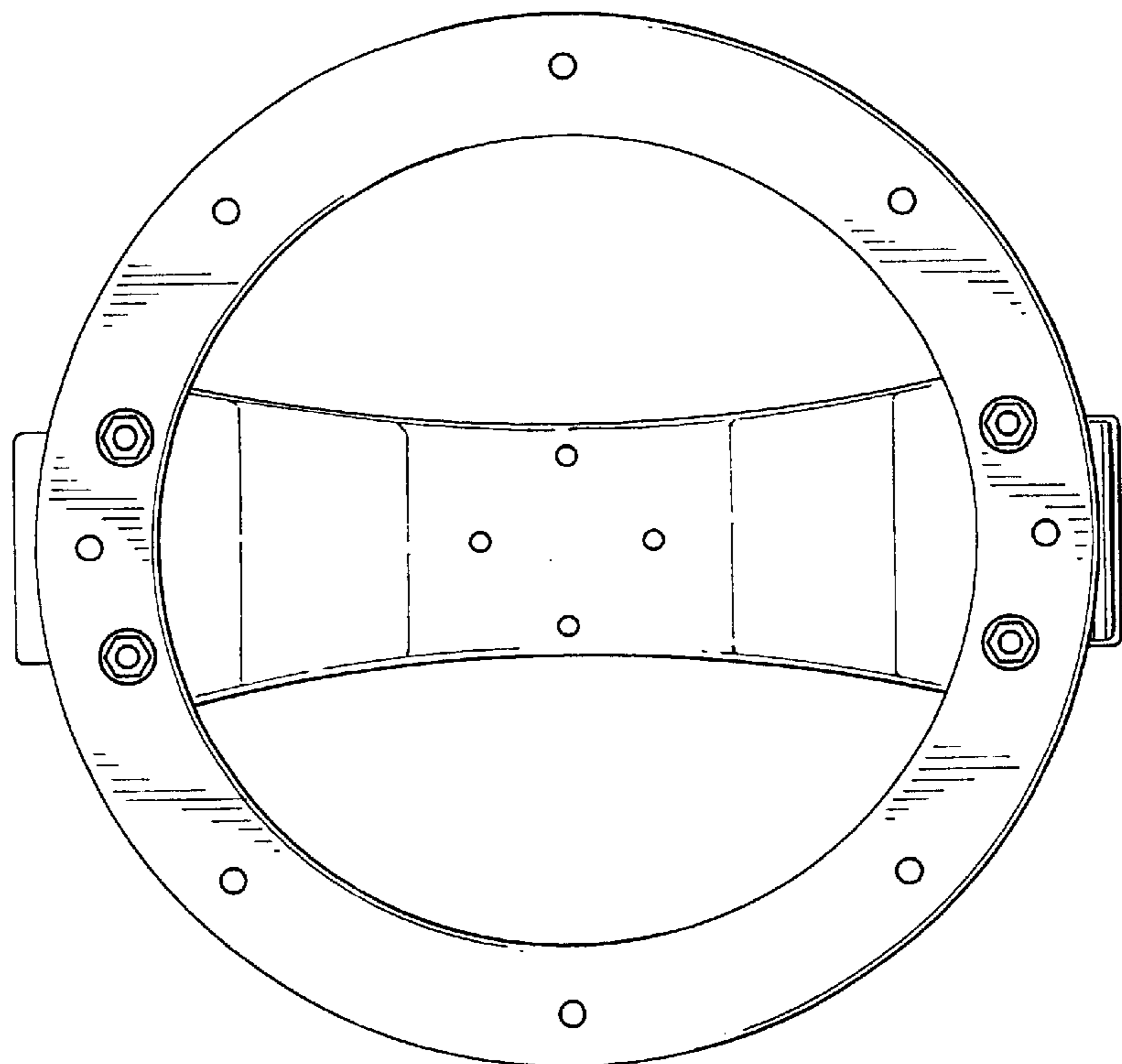


FIG. 5



F I G . 6



F I G . 7

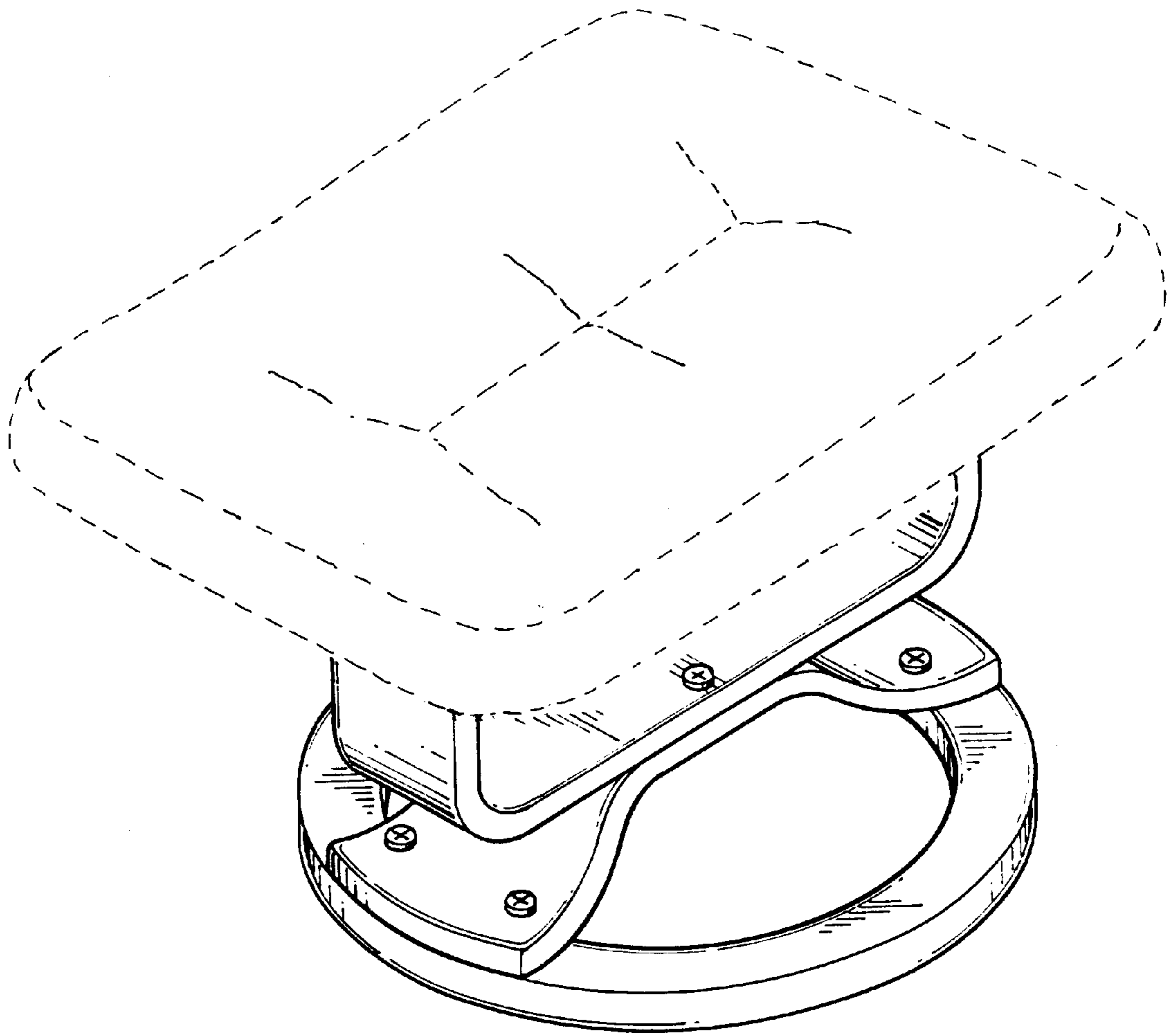


FIG. 8