



US00D447361B1

(12) **United States Design Patent**
Adler

(10) **Patent No.:** **US D447,361 S**

(45) **Date of Patent:** **** Sep. 4, 2001**

(54) **STAND FOR A REVERSE OSMOSIS OR
FILTRATION WATER DISPENSER**

(76) **Inventor:** **Paul K. Adler**, P.O. Box 1527, El
Centro, CA (US) 92244

(**) **Term:** **14 Years**

(21) **Appl. No.:** **29/130,548**

(22) **Filed:** **Oct. 3, 2000**

(51) **LOC (7) Cl.** **06-04**

(52) **U.S. Cl.** **D6/449**

(58) **Field of Search** D6/462, 396, 449,
D6/465, 466, 468, 479; 211/13.1, 27, 71.01,
74, 78-84

(56) **References Cited**

U.S. PATENT DOCUMENTS

D. 320,901 * 10/1991 Kee D6/479

D. 323,256 * 1/1992 Kee D6/465

D. 329,556 * 9/1992 Brusing D6/449 X

D. 405,627 * 2/1999 Salvucci D6/465

* cited by examiner

Primary Examiner—Dominic Simone

(74) *Attorney, Agent, or Firm*—Brown, Martin, Haller &
McClain

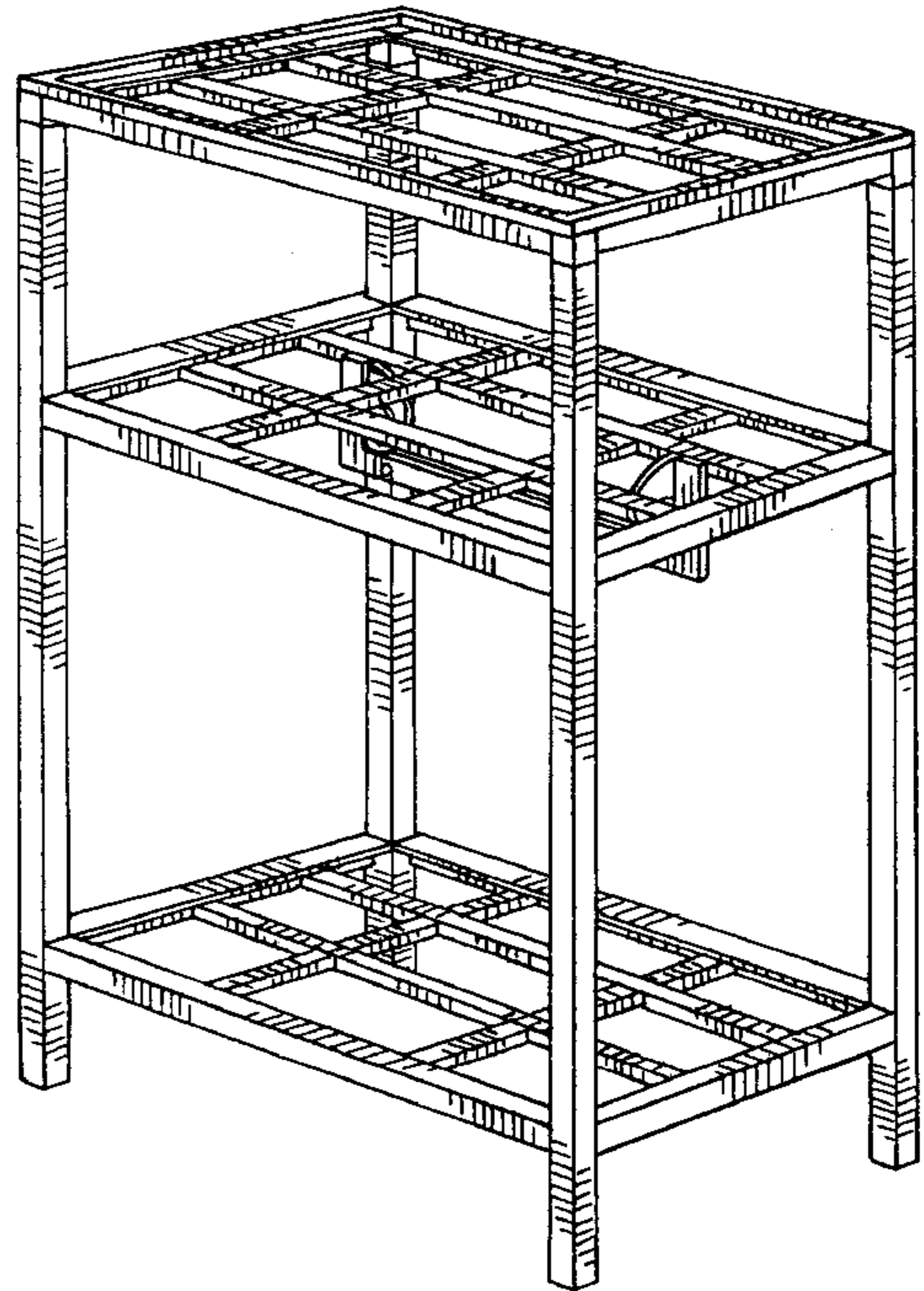
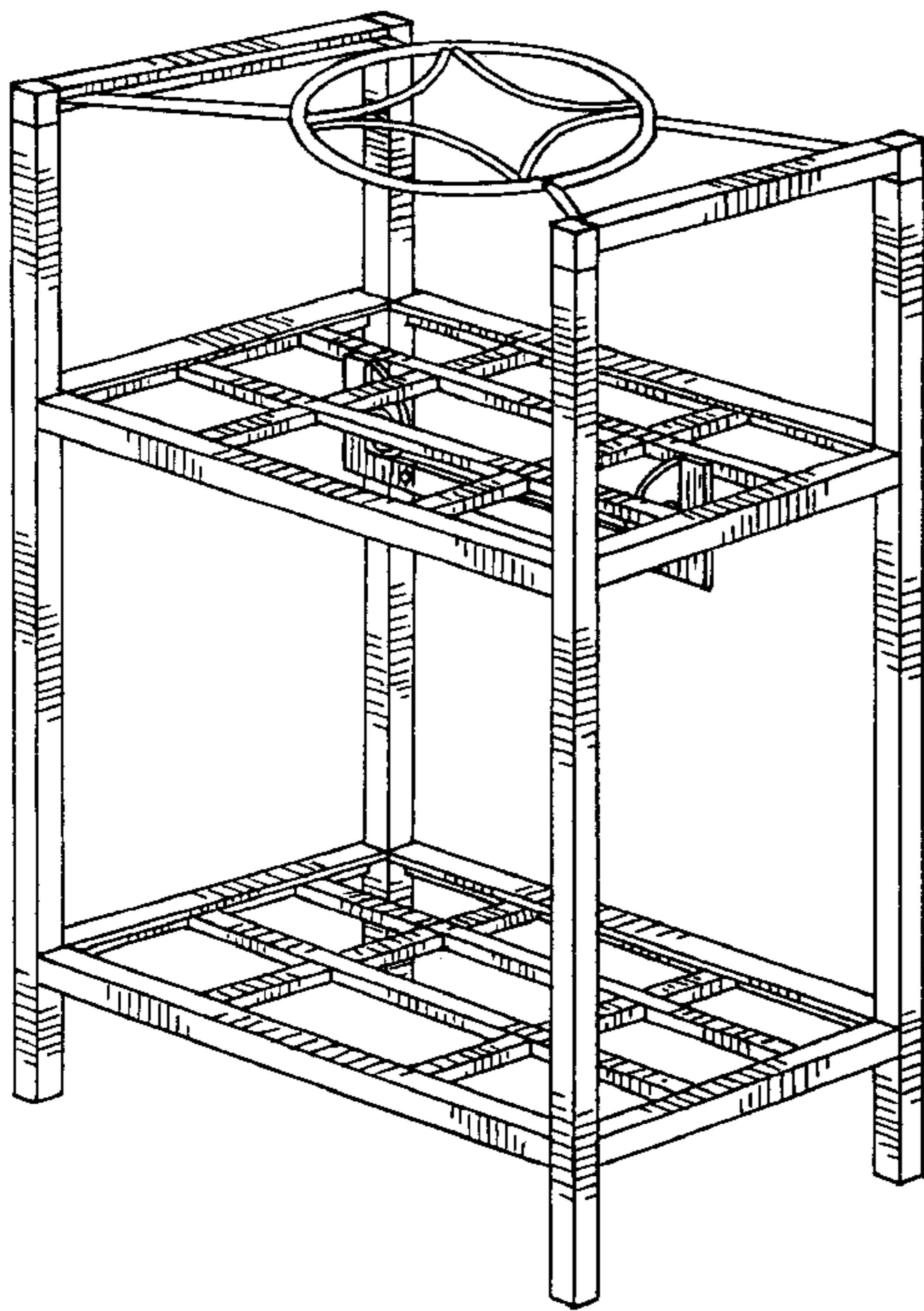
(57) **CLAIM**

The ornamental design for a stand for a reverse osmosis or
filtration water dispenser, as shown.

DESCRIPTION

FIG. 1 is a perspective view of a stand for a reverse osmosis
or filtration water dispenser, showing my new design;
FIG. 2 is a side elevational view thereof;
FIG. 3 is a top plan view thereof;
FIG. 4 is a rear elevational view thereof;
FIG. 5 is a perspective view showing an alternative top
shelf; and,
FIG. 6 is a top plan view of the configuration of FIG. 5.

1 Claim, 2 Drawing Sheets



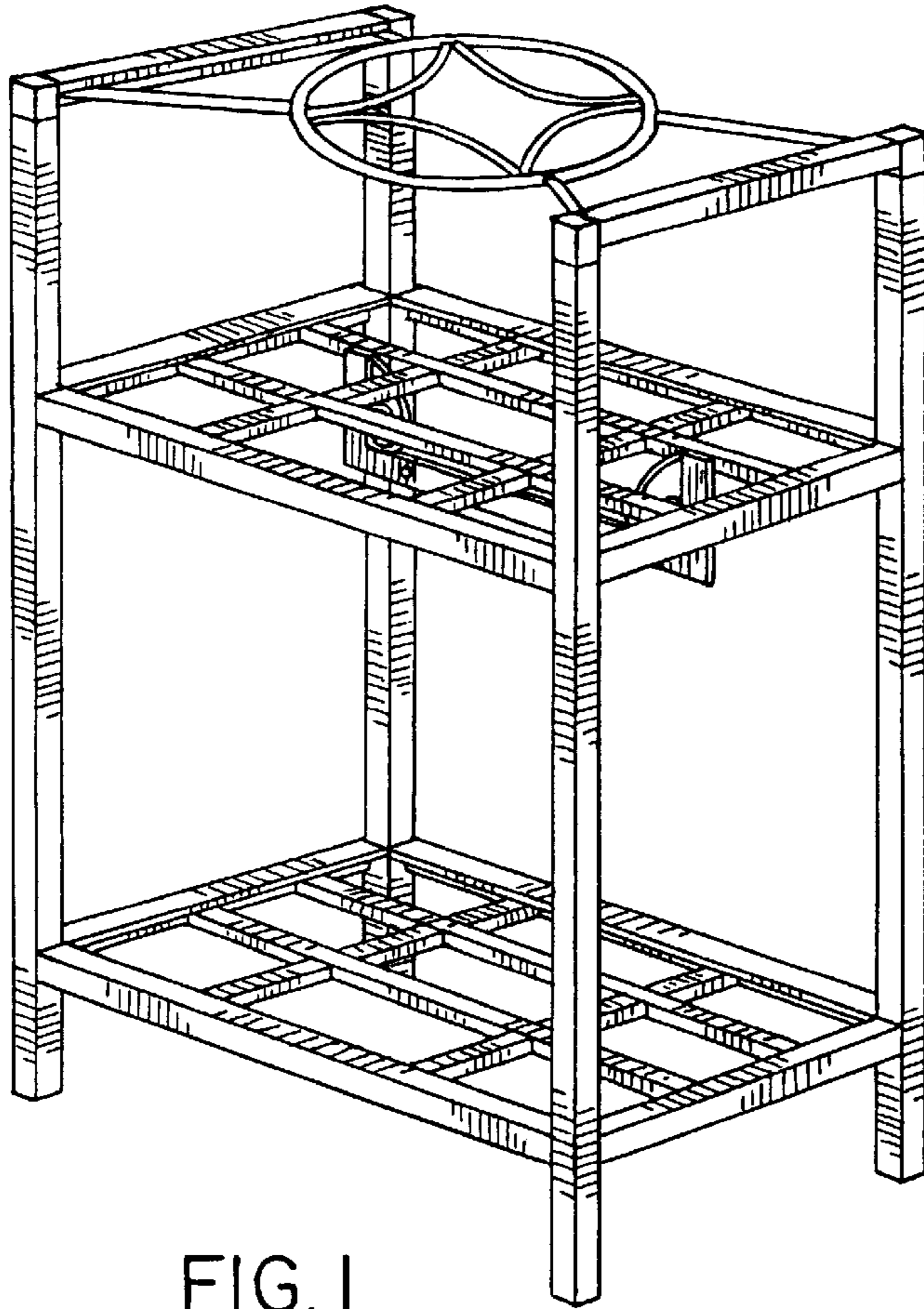


FIG. 1

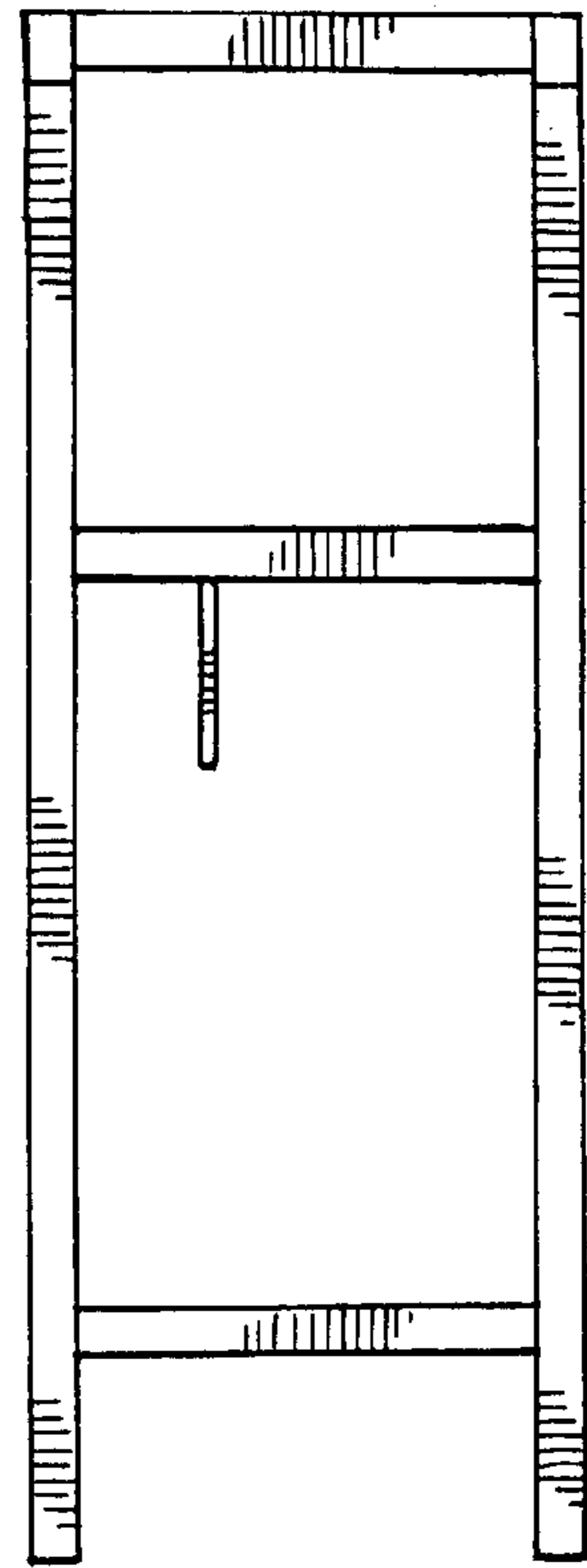


FIG. 2

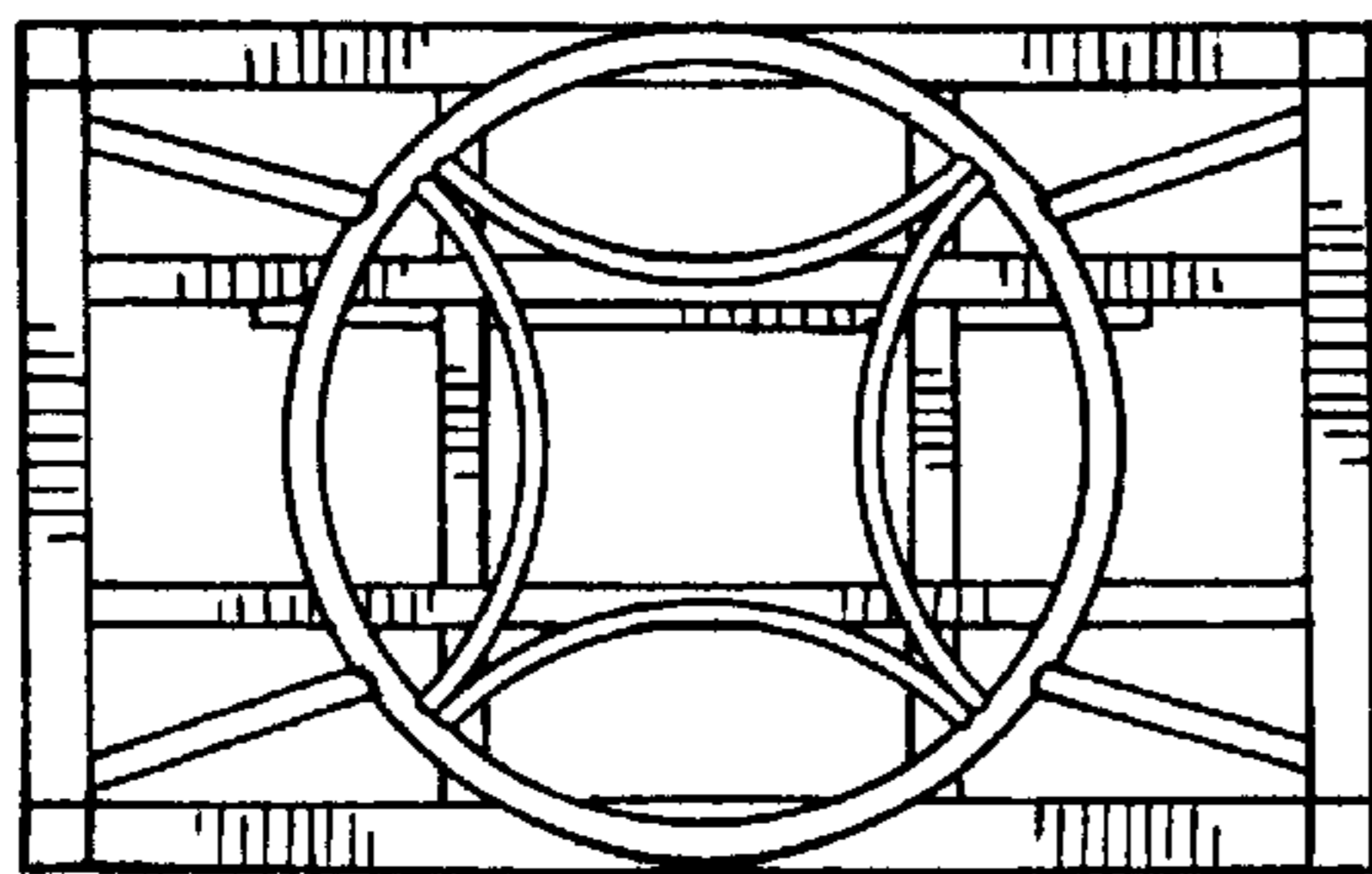


FIG. 3

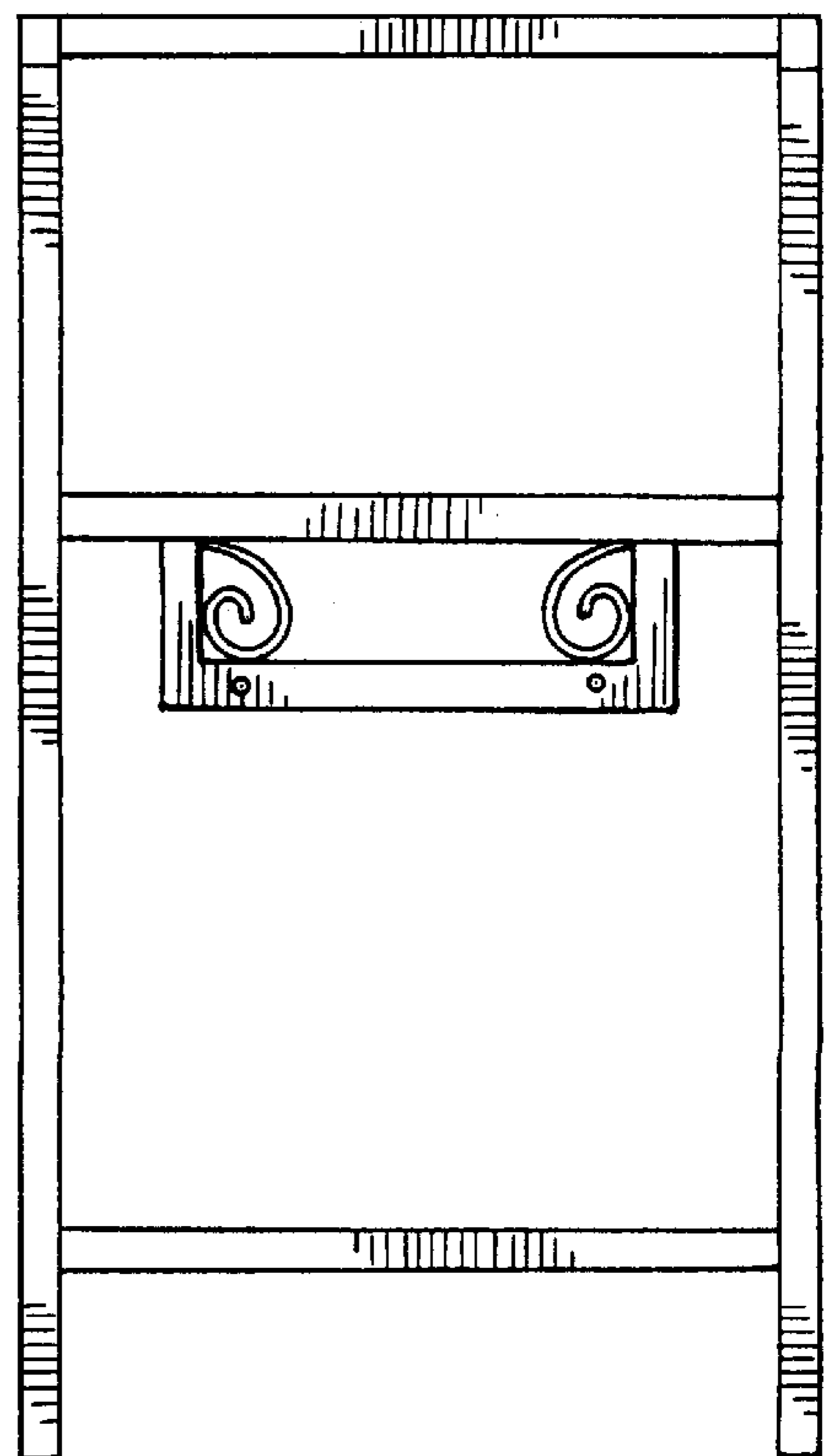


FIG. 4

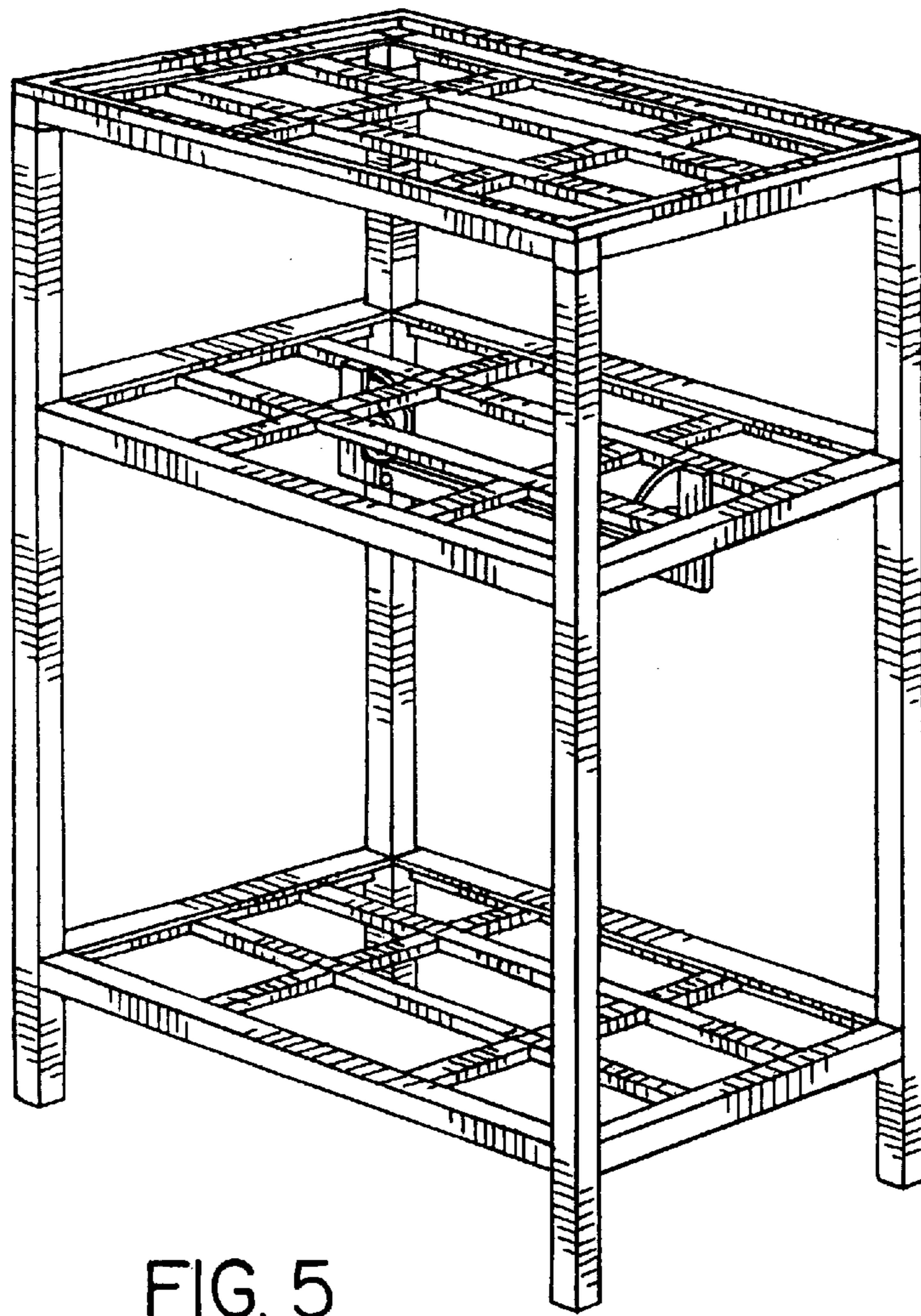


FIG. 5

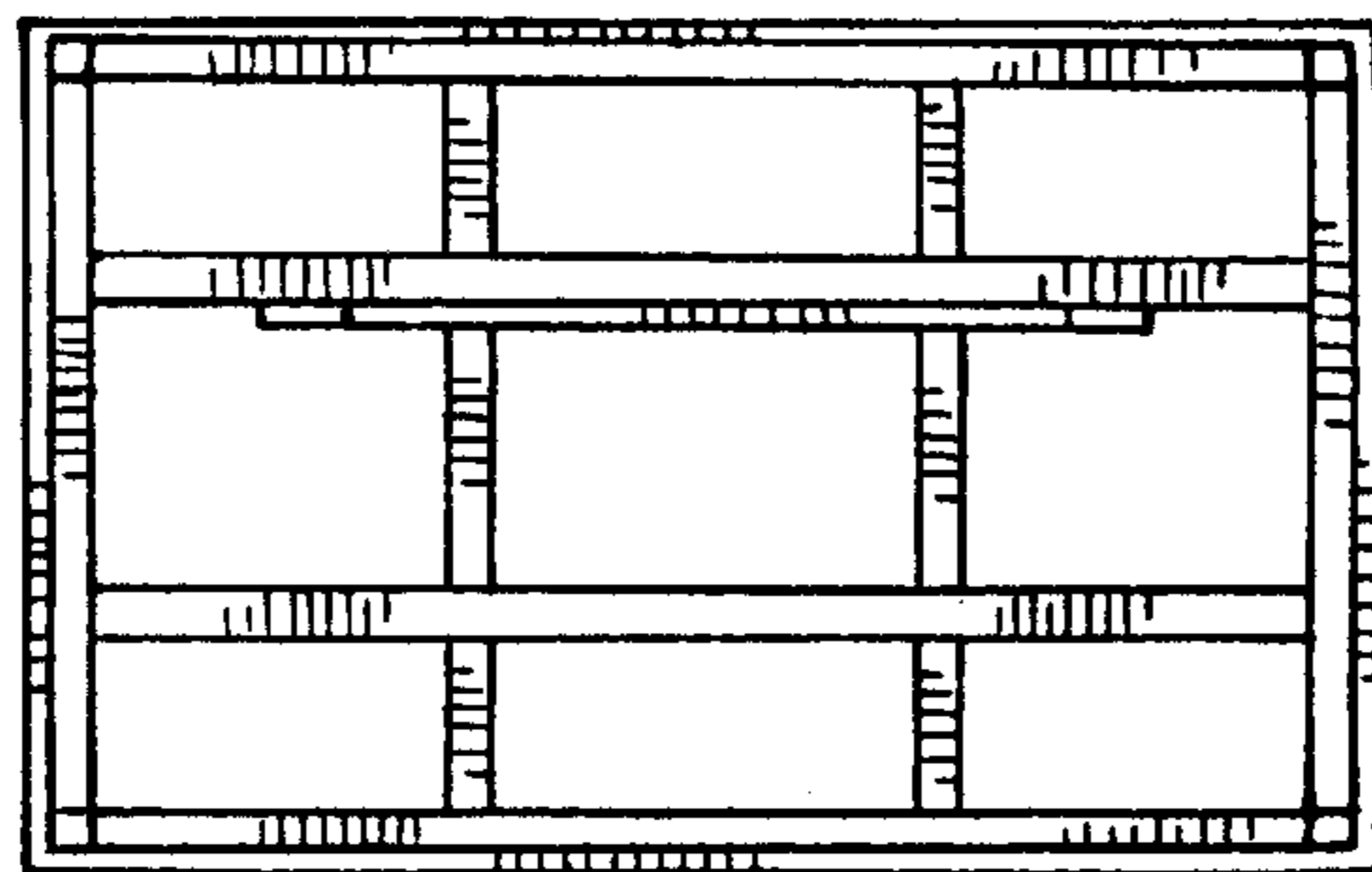


FIG. 6