



US00D447359B1

(12) **United States Design Patent**
Donnelly

(10) **Patent No.:** **US D447,359 S**

(45) **Date of Patent:** **** Sep. 4, 2001**

(54) **ARTICLE SUPPORT**

(75) Inventor: **Anthony J. Donnelly**, Upton, MA (US)

(73) Assignee: **The Rockport Company, LLC**,
Marlborough, MA (US)

(**) Term: **14 Years**

(21) Appl. No.: **29/126,347**

(22) Filed: **Jul. 14, 2000**

(51) **LOC (7) Cl.** **06-04**

(52) **U.S. Cl.** **D6/409**

(58) **Field of Search** D6/396, 409, 449,
D6/491; 211/45-48, 49.1-59.4

(56) **References Cited**

U.S. PATENT DOCUMENTS

D. 47,174	*	3/1915	Waldeck	D6/409
D. 220,664	*	5/1971	Wagoner	D6/409
D. 292,954	*	12/1987	Knight et al.	D6/409
D. 327,992	*	7/1992	De Carlo	D6/409

* cited by examiner

Primary Examiner—Dominic Simone

(74) *Attorney, Agent, or Firm*—Sterne, Kessler, Goldstein & Fox P.L.L.C.

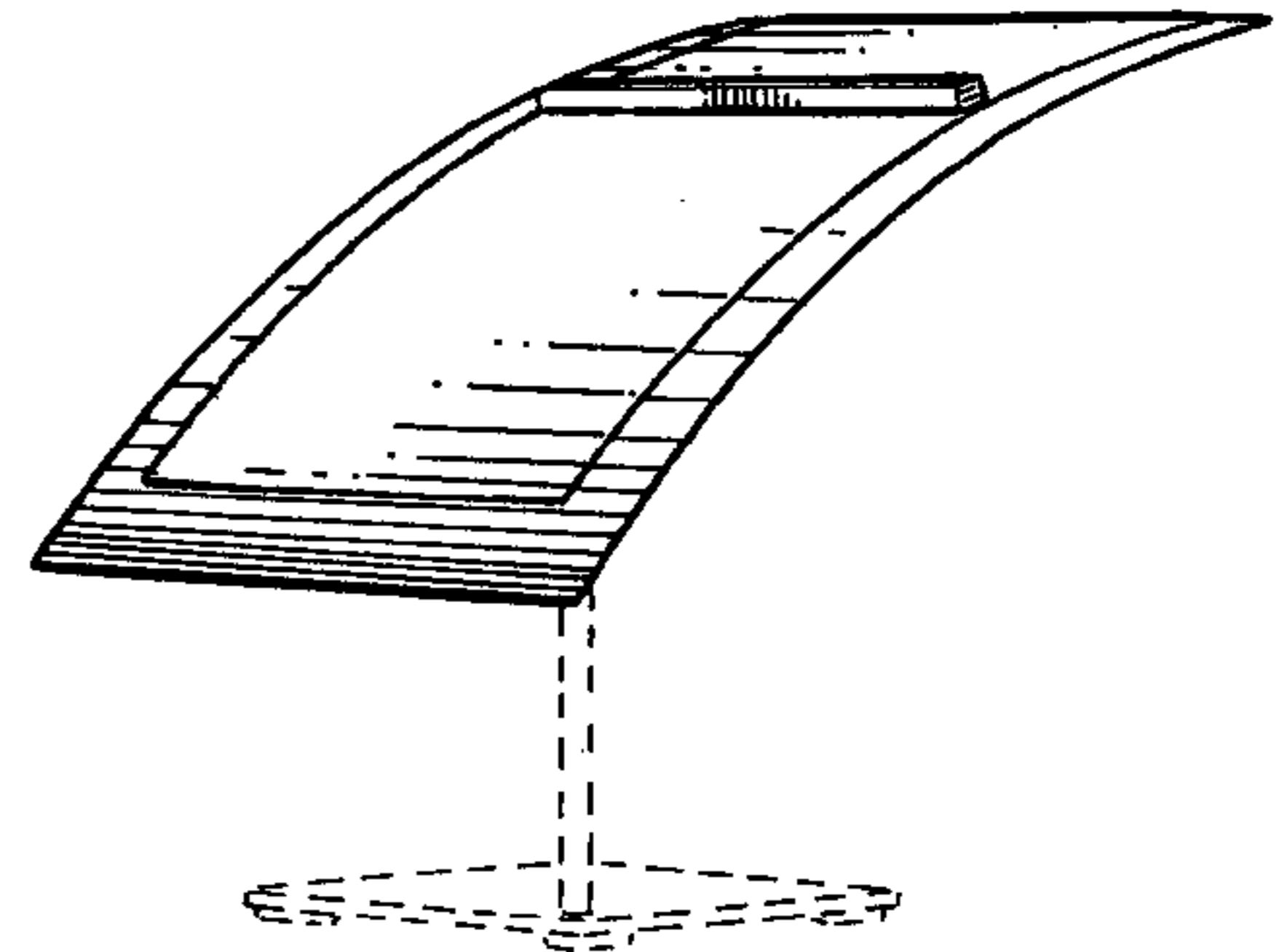
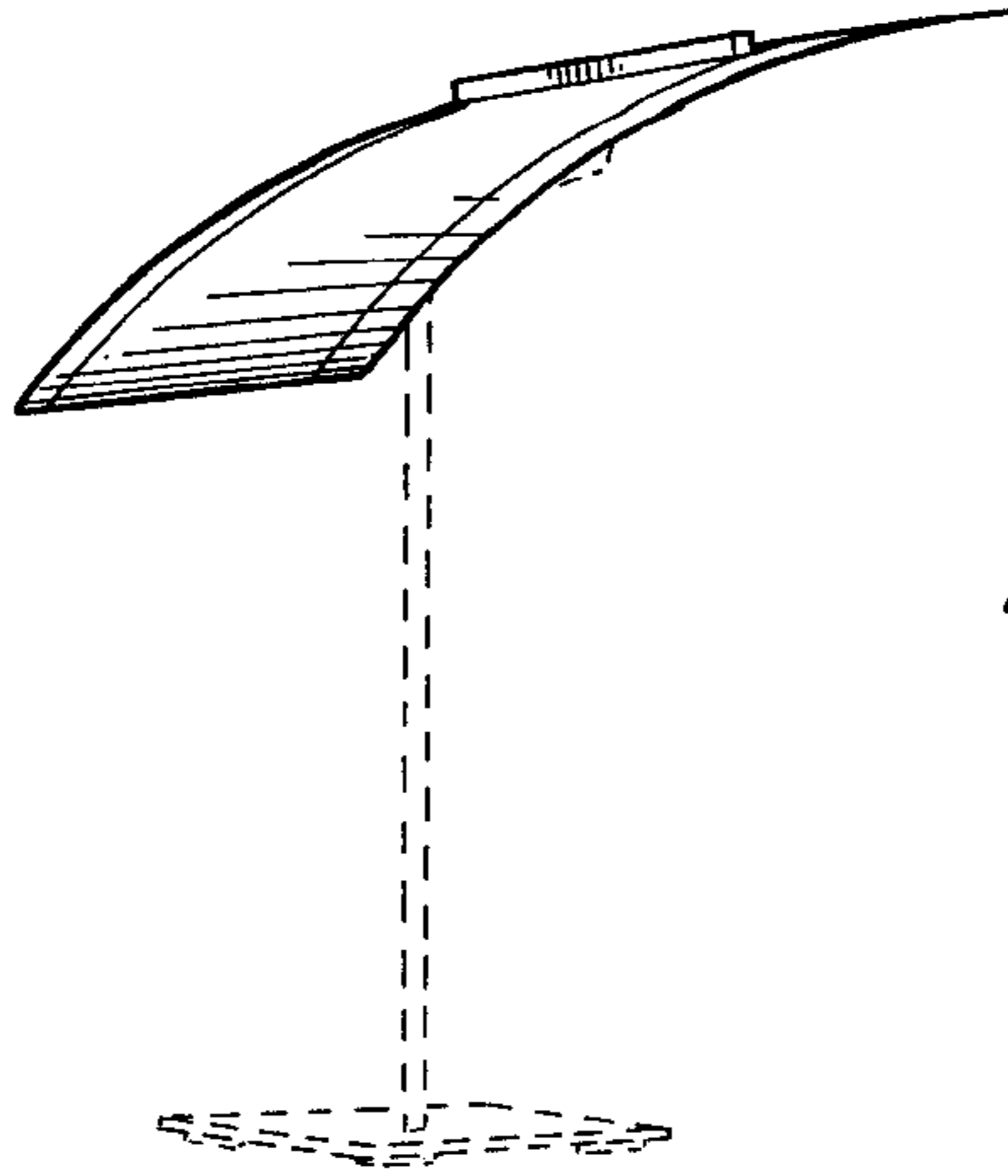
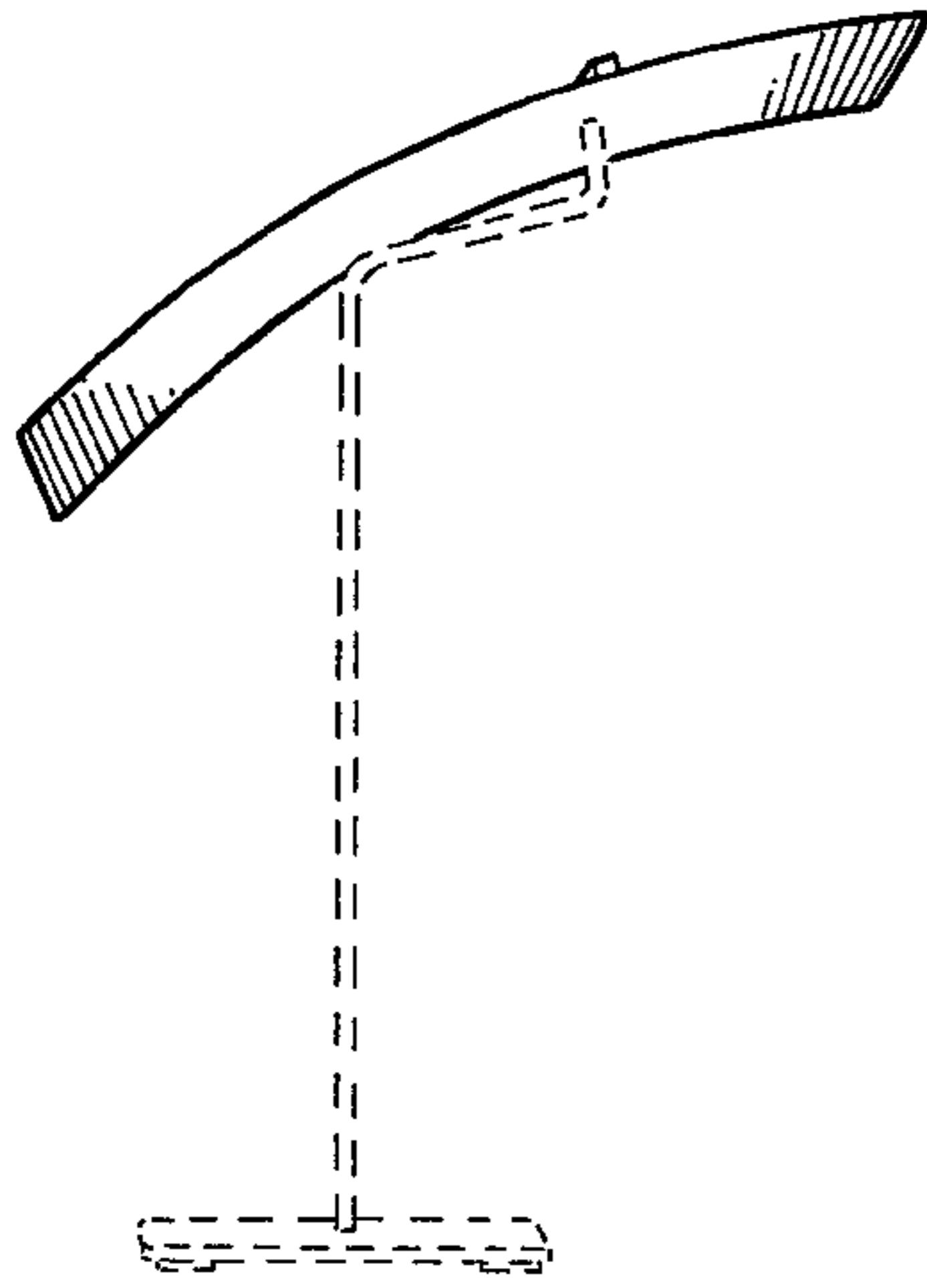
(57) **CLAIM**

The ornamental design for an article support, as shown and described.

DESCRIPTION

FIG. 1 is a left side elevational view of an article support showing my new design;
 FIG. 2 is a right side elevational view thereof;
 FIG. 3 is a front elevational view thereof;
 FIG. 4 is a rear elevational view thereof;
 FIG. 5 is a front perspective view of an article support thereof;
 FIG. 6 is a left side elevational view showing a second embodiment of my new design;
 FIG. 7 is a right side elevational view thereof;
 FIG. 8 is a front elevational view thereof;
 FIG. 9 is a rear elevational view thereof; and,
 FIG. 10 is a front perspective view thereof.
 The broken line showing of a stand in the Figures is environmental and forms no part of the claimed design.

1 Claim, 5 Drawing Sheets



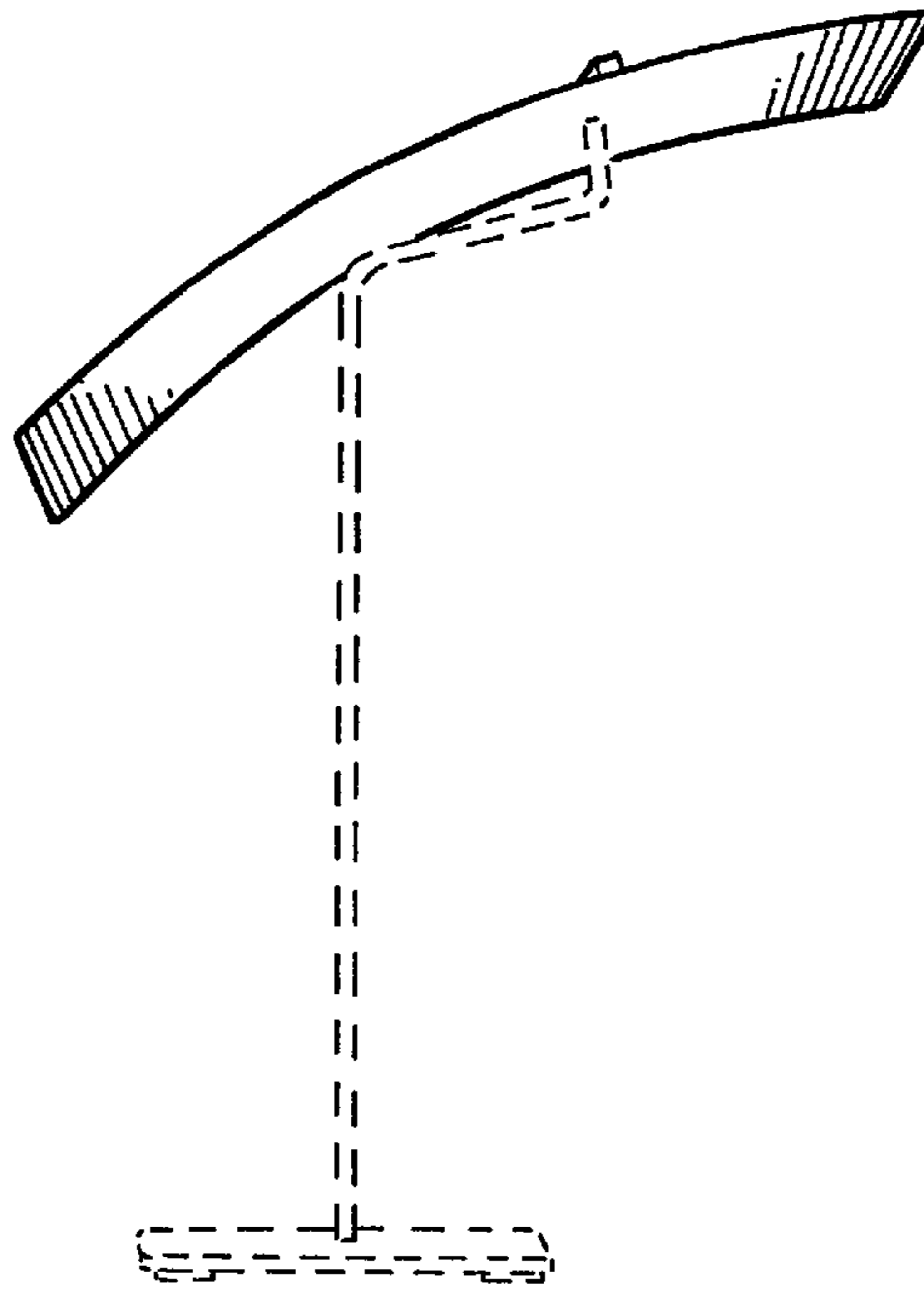


FIG. 1

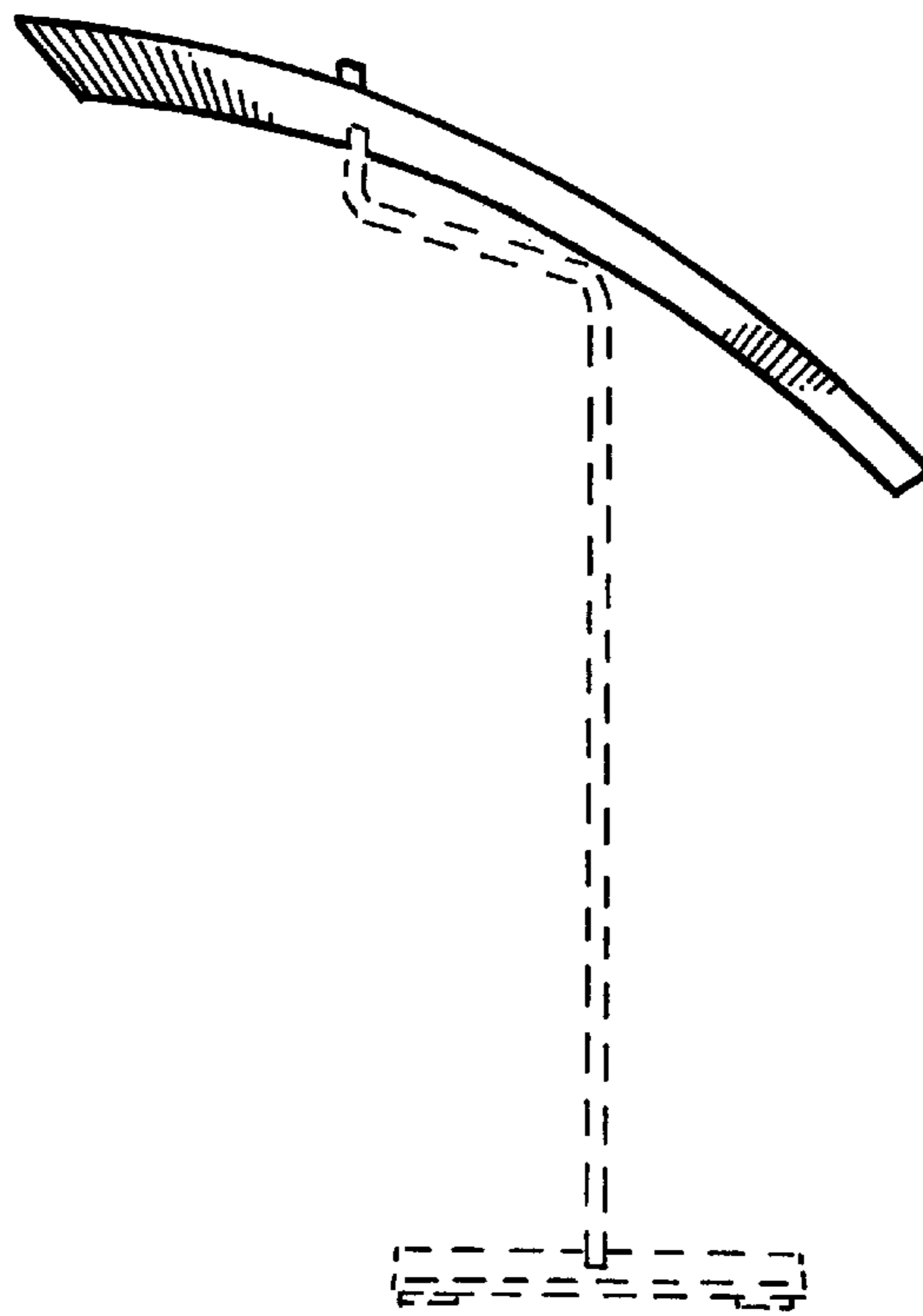


FIG. 2

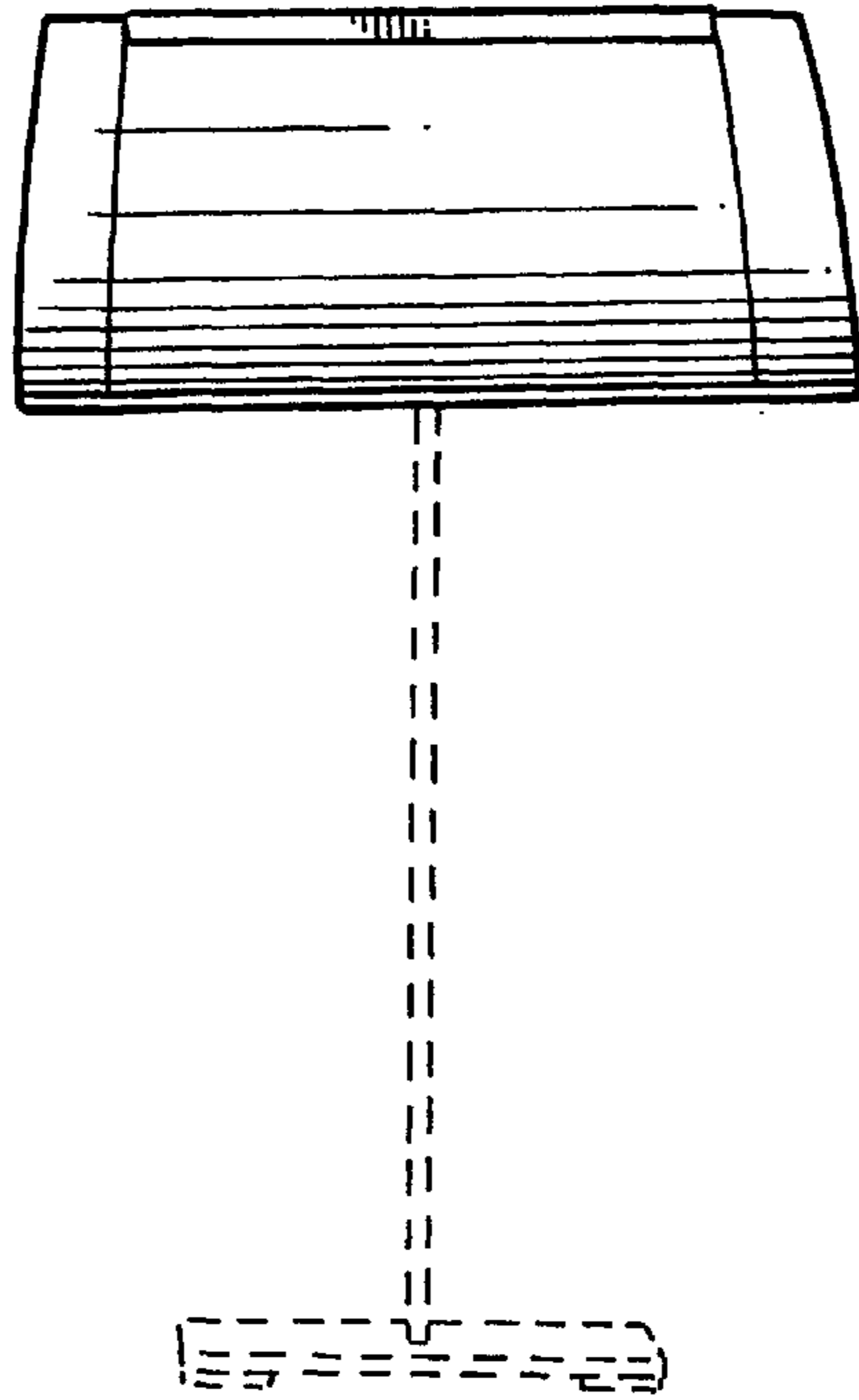


FIG. 3

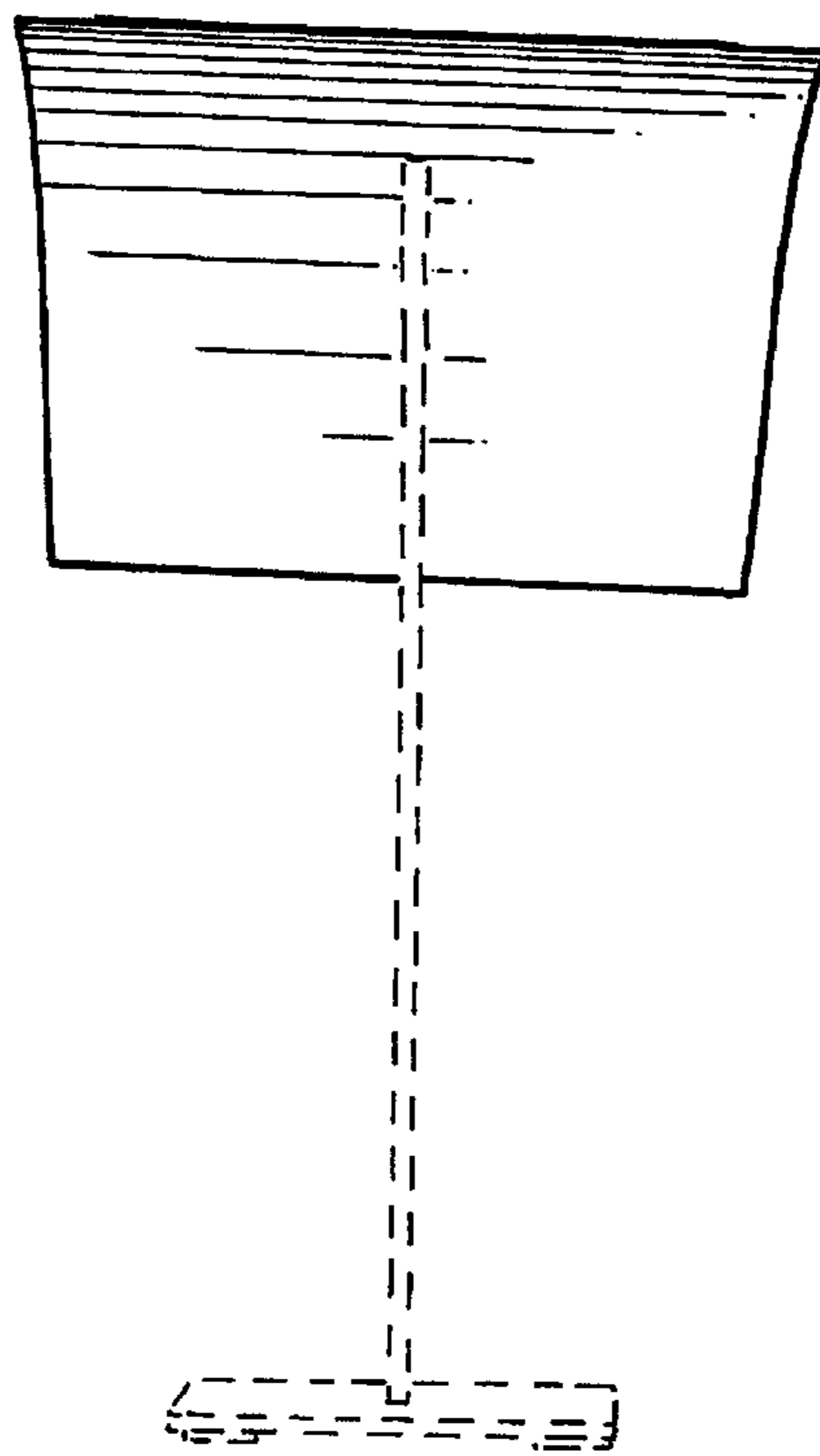


FIG. 4

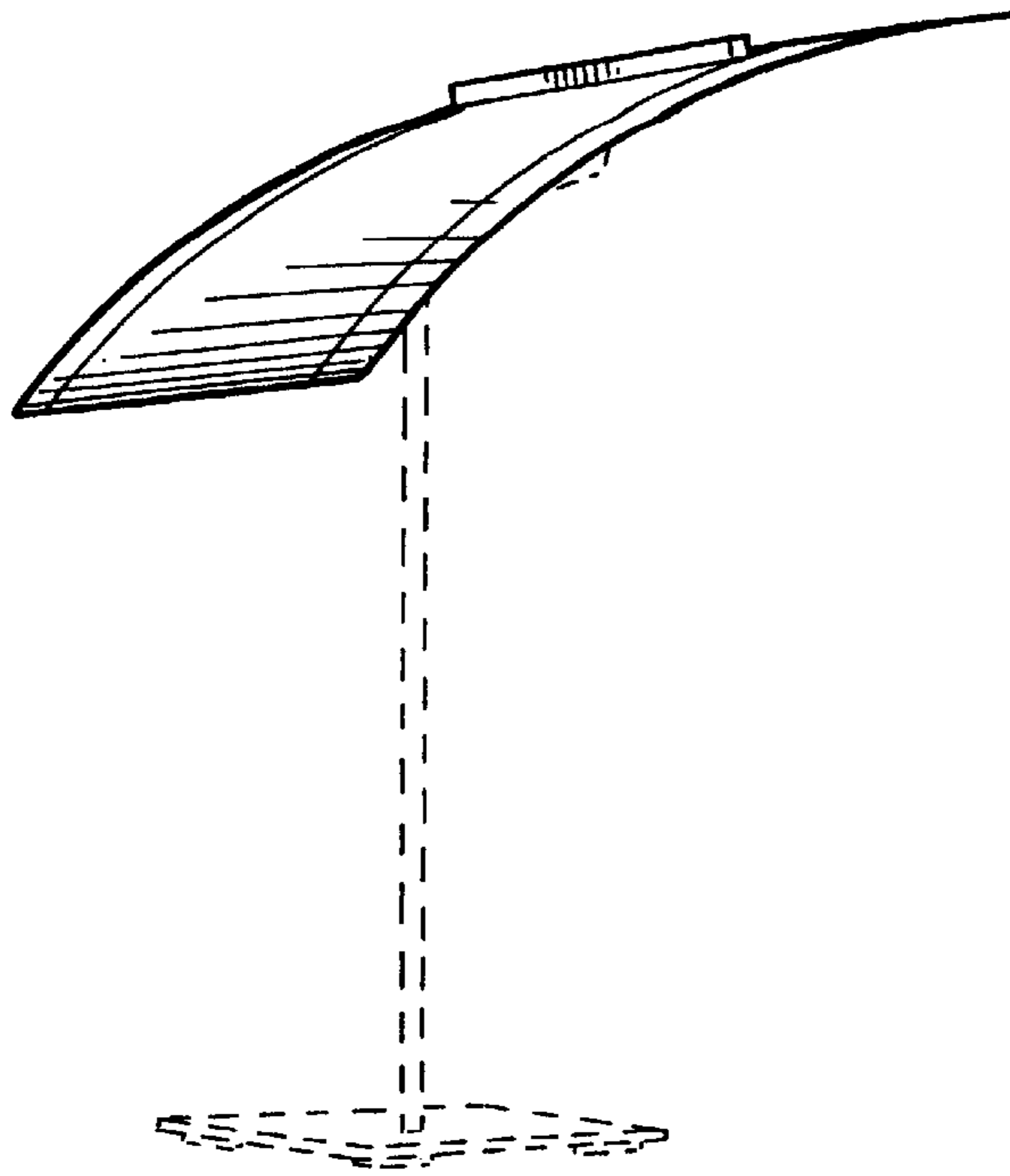


FIG. 5

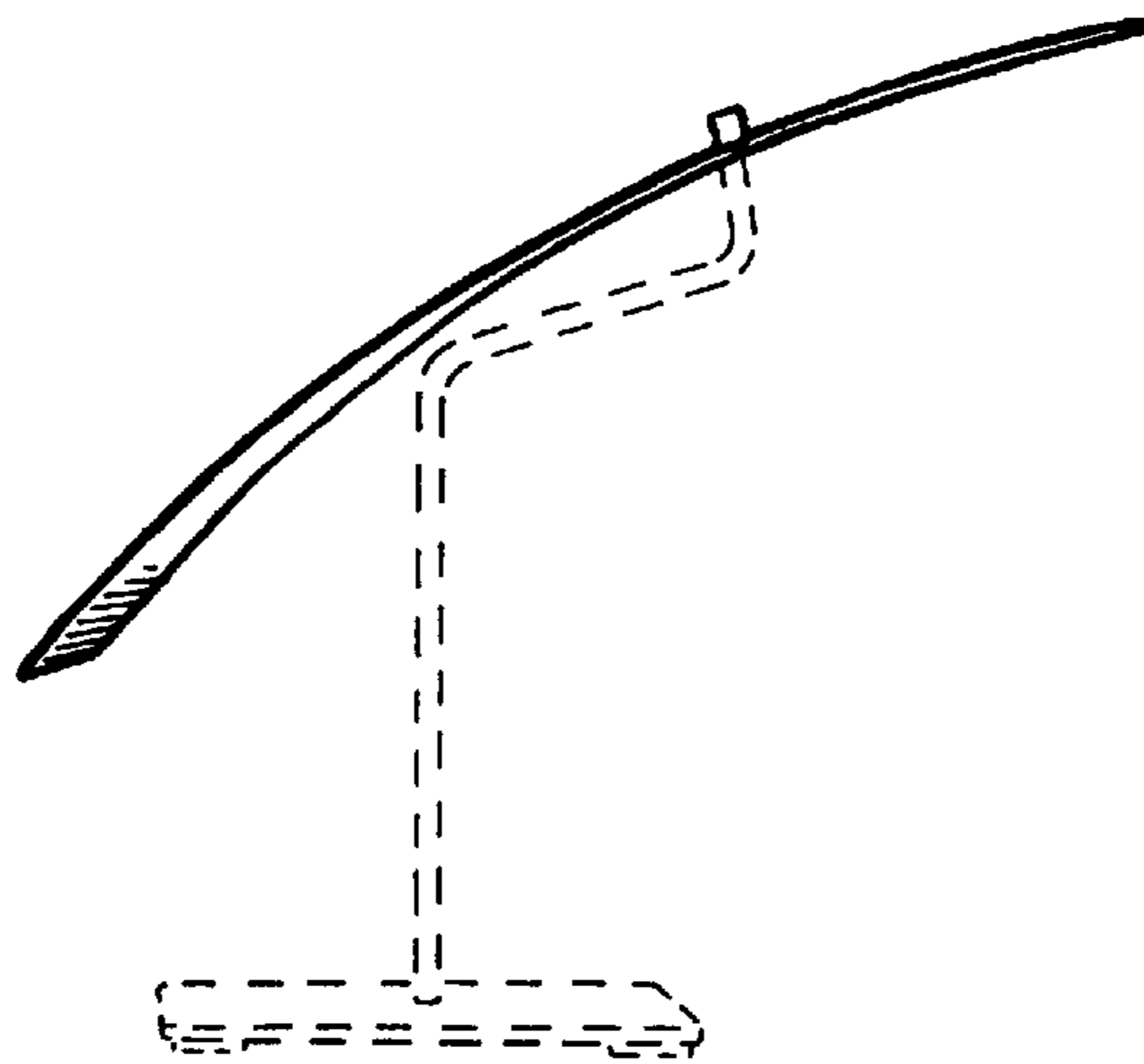


FIG. 6

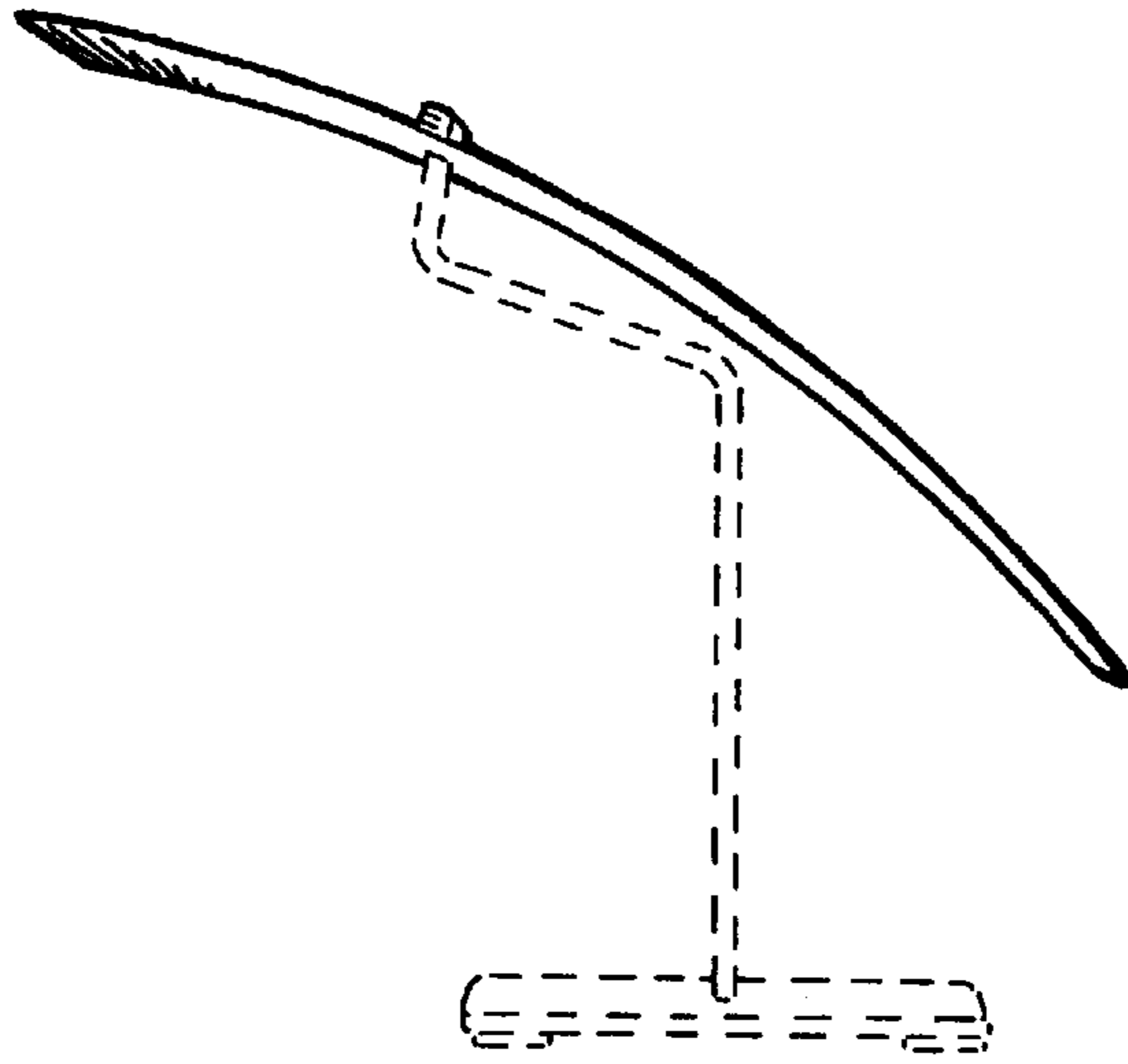


FIG. 7

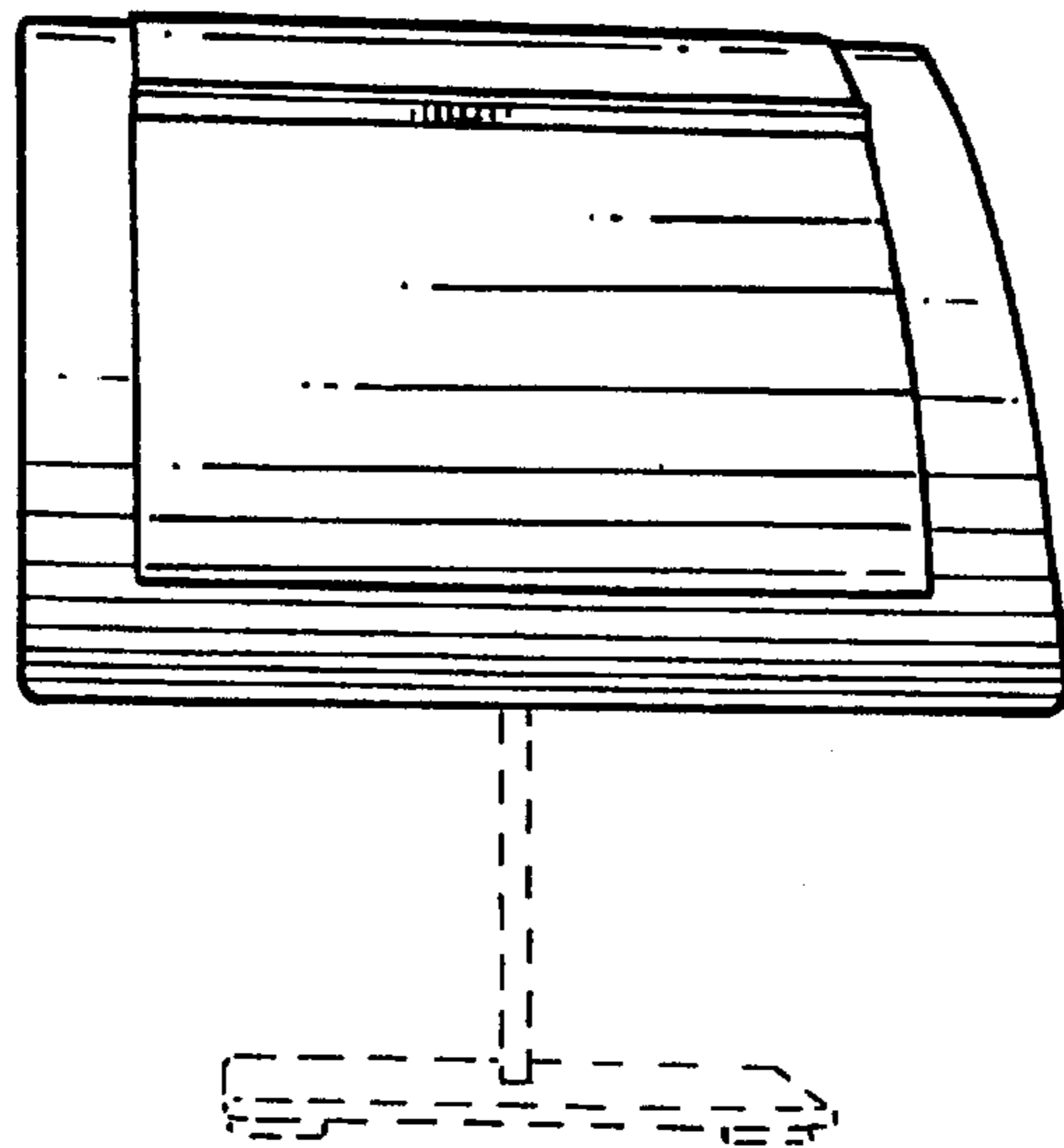


FIG. 8

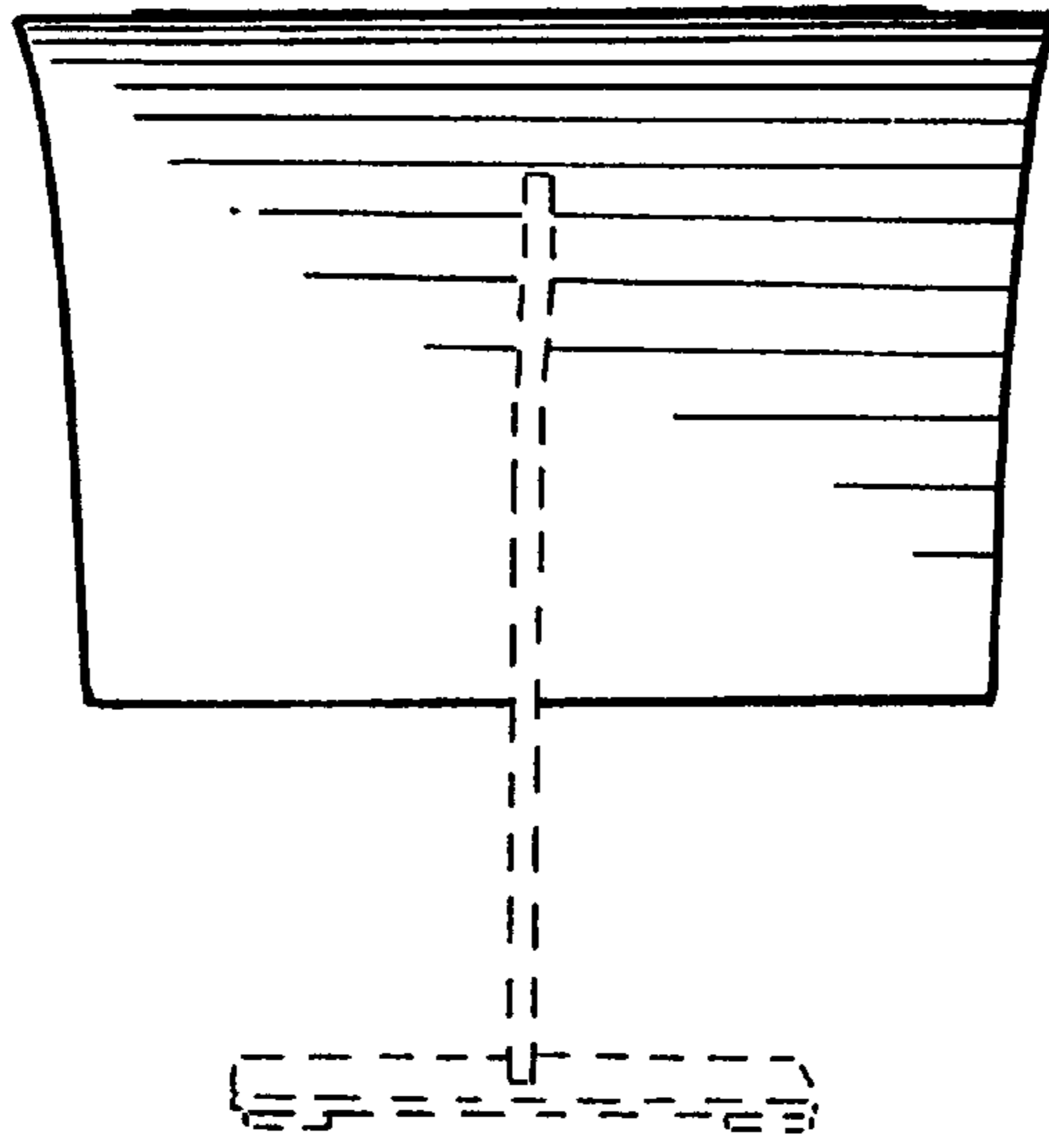


FIG. 9

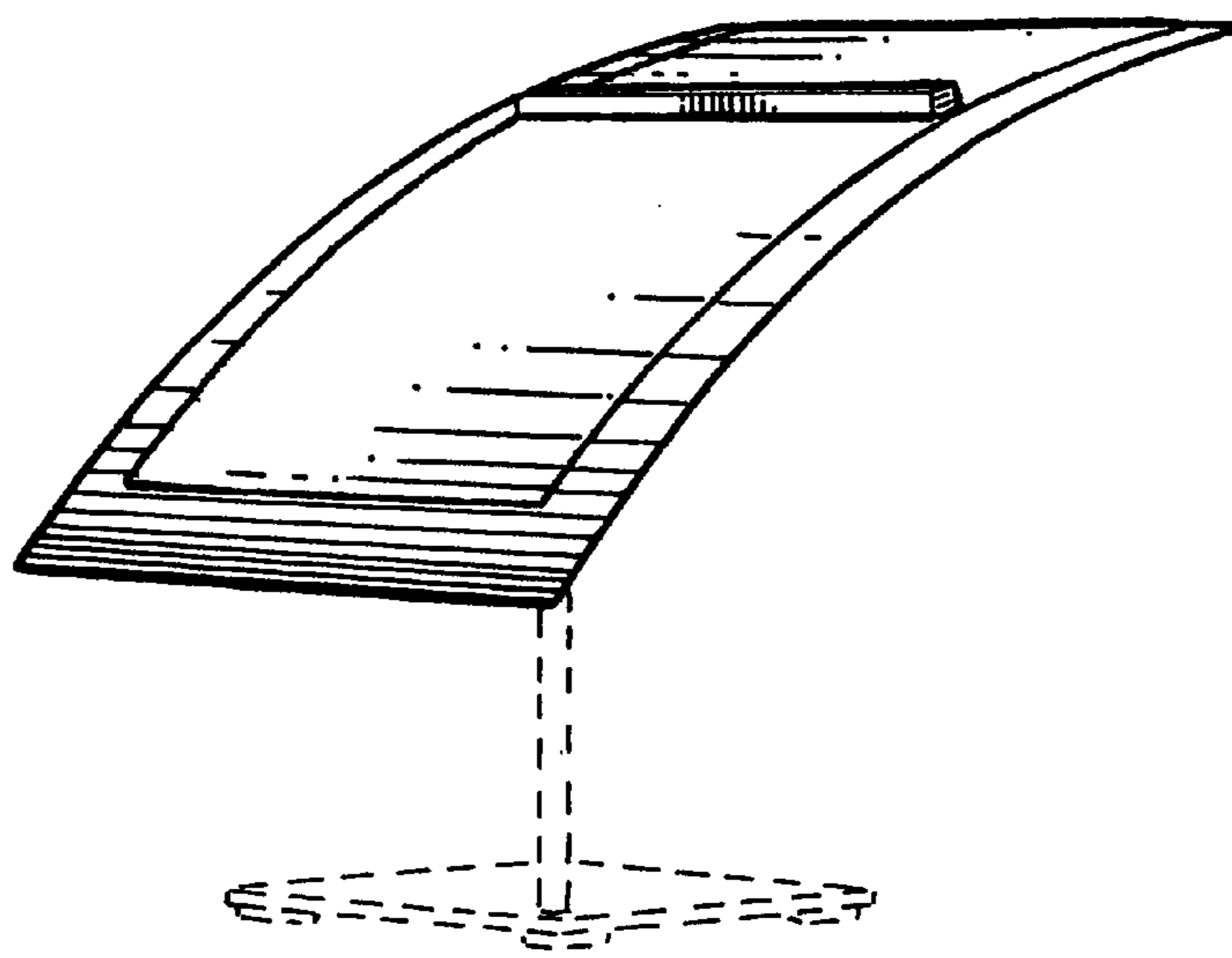


FIG. 10