



US00D447350B1

(12) **United States Design Patent**
Carlson

(10) **Patent No.:** **US D447,350 S**

(45) **Date of Patent:** **** Sep. 4, 2001**

(54) **CHAIR**

(75) **Inventor:** **Scott T. Carlson**, Chicago, IL (US)

(73) **Assignee:** **Ivan Carlson & Assoc., Inc.**, Chicago, IL (US)

(**) **Term:** **14 Years**

(21) **Appl. No.:** **29/128,829**

(22) **Filed:** **Aug. 30, 2000**

(51) **LOC (7) Cl.** **06-01**

(52) **U.S. Cl.** **D6/336; D6/335; D6/360**

(58) **Field of Search** **D6/334, 335, 336, D6/360, 364, 367, 371, 373, 381, 500-502; 297/218.1, 232, DIG. 7**

- D. 395,960 7/1998 Smith .
- D. 395,961 7/1998 Smith .
- D. 405,275 2/1999 Dryburgh et al. .
- D. 411,053 6/1999 Lewis et al. .
- D. 416,395 11/1999 George et al. .

OTHER PUBLICATIONS

Chair Design By Ivan Carlson & Associates, Inc. Attached As Exhibit D1 To A Confidential Settlement Agreement Dated Jun. 3, 1998.

Chair Design By Ivan Carlson & Associates, Inc. Attached As Exhibit D2 To A Confidential Settlement Agreement Dated Jun. 3, 1998.

Chair Design By Ivan Carlson & Associates, Inc. Attached As Exhibit D3 To A Confidential Settlement Agreement Dated Jun. 3, 1998.

* cited by examiner

Primary Examiner—Doris V. Coles

Assistant Examiner—Mimosa De

(74) *Attorney, Agent, or Firm*—Michael G. Kelber

(56) **References Cited**

U.S. PATENT DOCUMENTS

- D. 93,384 9/1934 Daly .
- D. 98,545 * 2/1936 Pumphrey D6/364
- D. 104,824 * 6/1937 Swearingen D6/334
- D. 110,791 * 8/1938 Armour D6/336
- D. 121,587 7/1940 Duncan et al. .
- D. 148,065 12/1947 Harris .
- D. 171,900 4/1954 Leather .
- D. 173,625 * 12/1954 Maurer D6/360
- D. 231,878 6/1974 Kellum .
- D. 235,943 7/1975 Long .
- D. 239,900 * 5/1976 Long D6/334
- D. 260,823 9/1981 Stulik, Jr. .
- D. 263,770 * 4/1982 Melchior D6/334
- D. 265,531 * 7/1982 Brukoff D6/364
- D. 280,051 8/1985 Offredi .
- D. 351,509 10/1994 Goldberg .
- D. 361,904 9/1995 Reese .
- D. 372,801 8/1996 Fujimoto et al. .
- D. 375,845 11/1996 Mourgue .
- D. 392,470 3/1998 Smith .

(57) **CLAIM**

The ornamental design for a chair, as shown and described.

DESCRIPTION

FIG. 1 is a perspective view of a chair showing my new design;

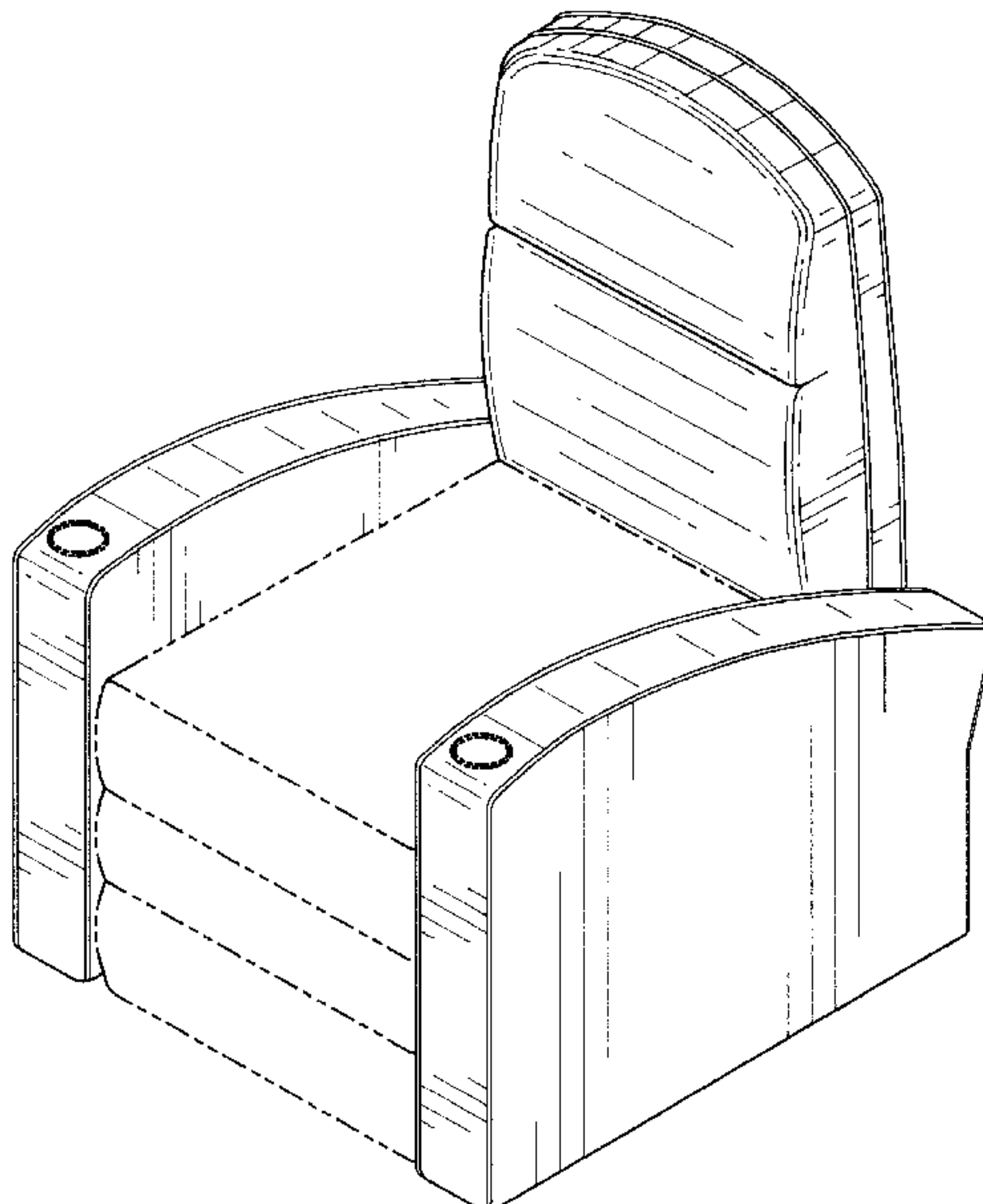
FIG. 2 is a side elevational view thereof; and,

FIG. 3 is a front elevational view thereof.

The broken line shown in all views of the drawing is for illustrative purposes only and forms no part of the claimed design.

The surface(s) or portion(s) of the article not shown in the drawing or described in the specification form(s) no part of the claimed design.

1 Claim, 2 Drawing Sheets



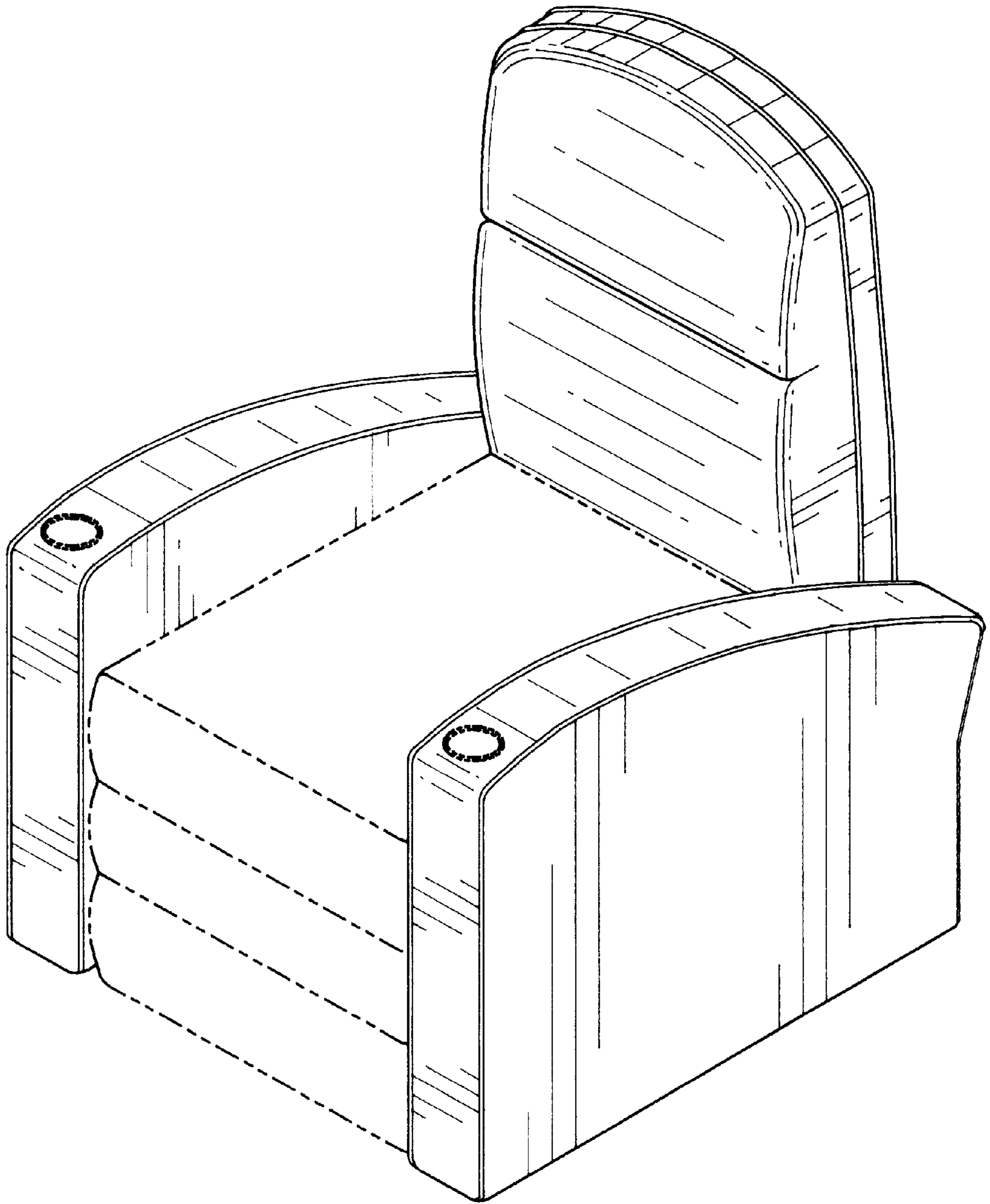


FIG. 1

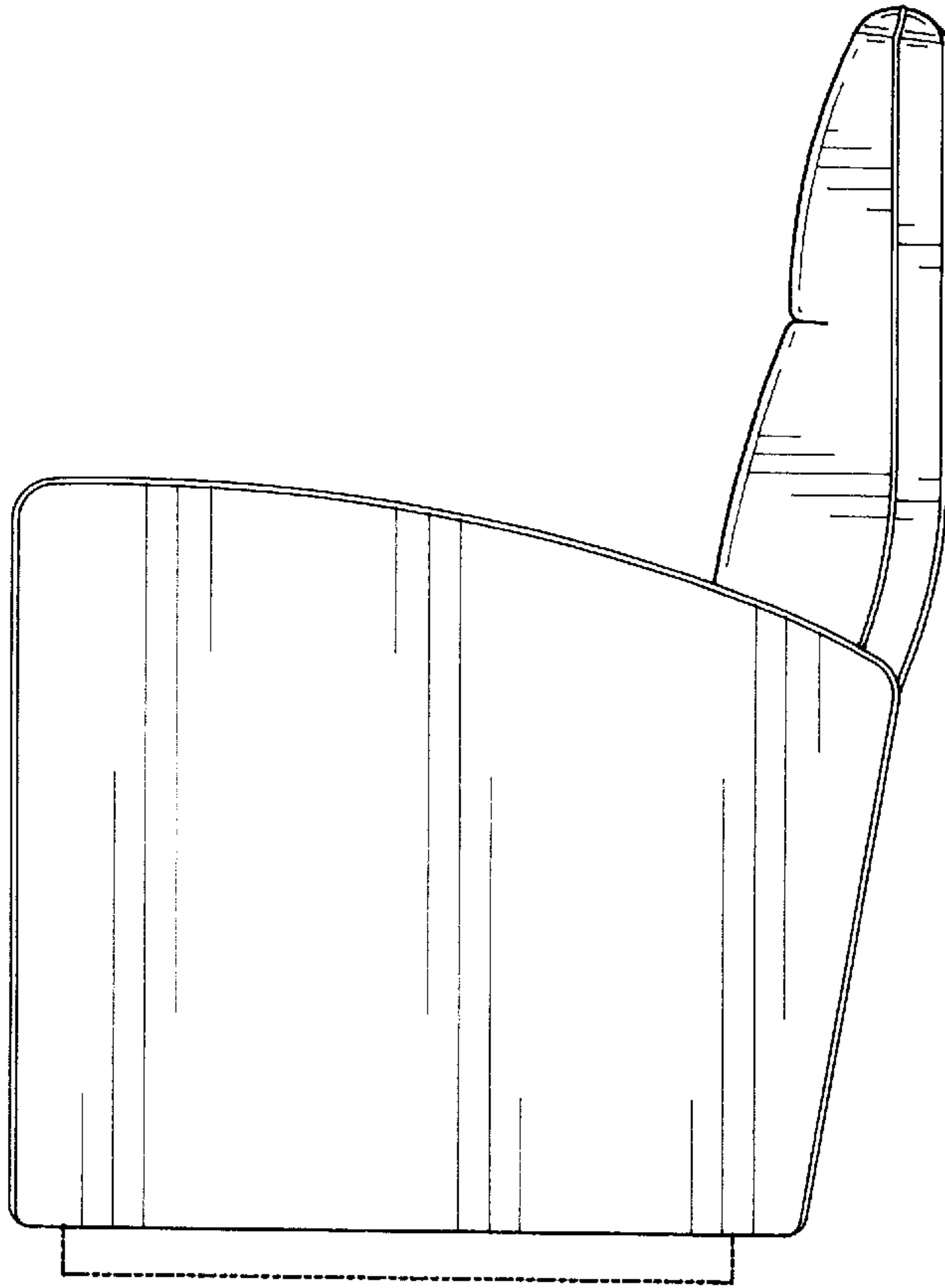


FIG. 2

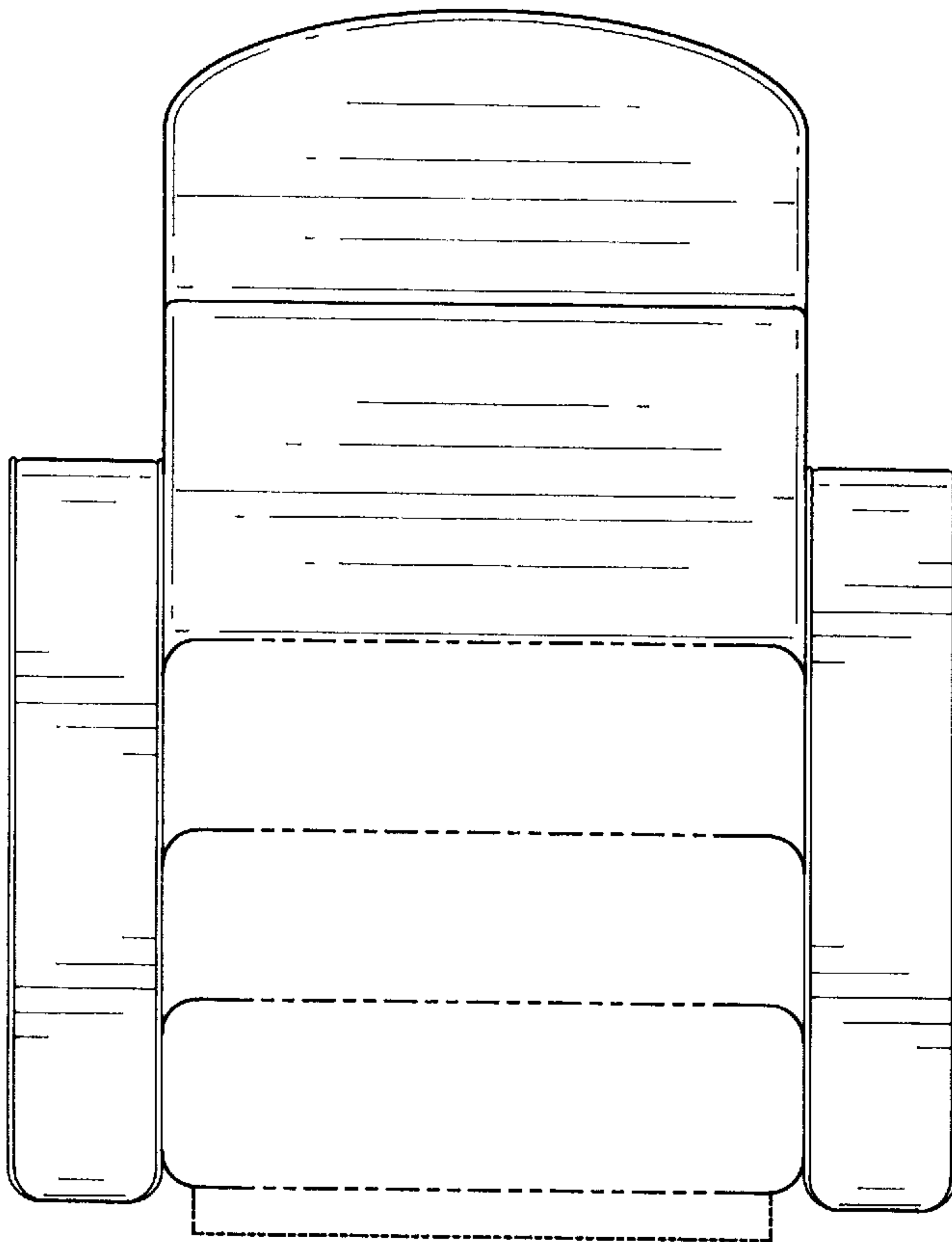


FIG. 3