



US00D447349B1

(12) **United States Design Patent**
Gardner

(10) **Patent No.:** **US D447,349 S**

(45) **Date of Patent:** **** Sep. 4, 2001**

(54) **CHAIR AND TABLE SET**

(76) **Inventor:** **Andre S Gardner**, 7885 Shellbark Dr.,
Orlando, FL (US) 32818

(**) **Term:** **14 Years**

(21) **Appl. No.:** **29/119,597**

(22) **Filed:** **Mar. 6, 2000**

(51) **LOC (7) Cl.** **06-01**

(52) **U.S. Cl.** **D6/336; D6/370; D6/480**

(58) **Field of Search** **D6/334, 335, 348,**
D6/360, 368, 369, 370, 373, 374, 375,
376, 379, 380, 381, 499, 500, 501, 502,
336, 337, 346, 357, 484, 487, 495; 297/232,
445.1, 446.1, 448.1, 452.63, 452.64; 108/153.1,
155, 156, 161; 248/188, 188.1

(56) **References Cited**

U.S. PATENT DOCUMENTS

D. 51,884	*	3/1918	Herhold	D6/38
D. 151,617	*	11/1948	Feraud	D6/380
D. 158,506	*	5/1950	Ritts	D6/369
D. 174,357	*	3/1955	Sperry	D6/368
D. 249,206		9/1978	Gill	.	
D. 290,560	*	6/1987	Carrabba	D6/484
D. 326,025	*	5/1992	Grosfillex	D6/487
D. 335,778	*	5/1993	Hess	D6/376
D. 345,476	*	3/1994	Burdick et al.	D6/495

D. 370,577		6/1996	Grosfillex	.	
D. 370,578		6/1996	Grosfillex	.	
D. 386,322		11/1997	Maury	.	
D. 419,332	*	1/2000	Collins et al.	D6/487
1,407,403	*	2/1922	Garst	248/188
4,249,773		2/1981	Giambalvo	.	
4,563,040		1/1986	Alster	.	

* cited by examiner

Primary Examiner—Doris V. Coles
Assistant Examiner—Elizabeth A Albert

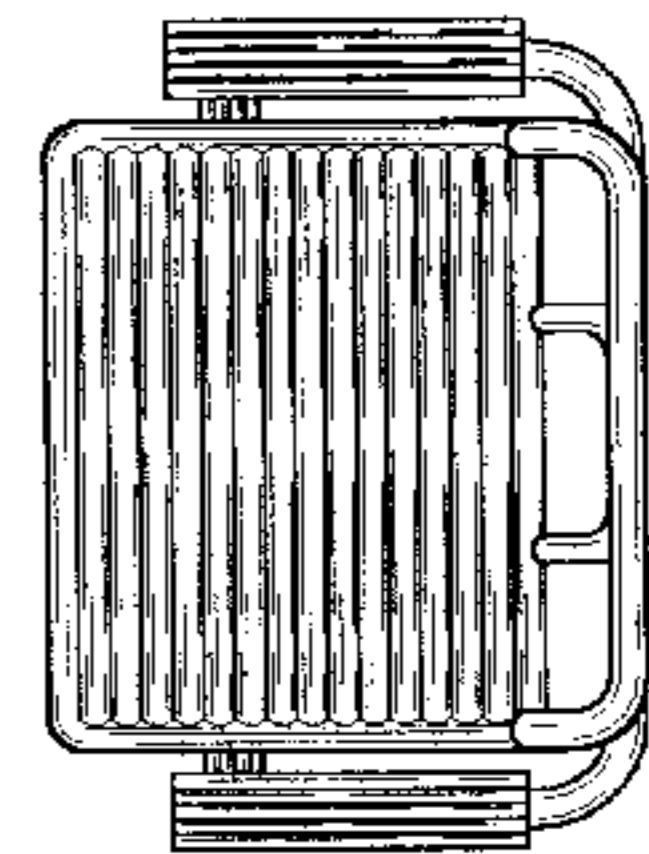
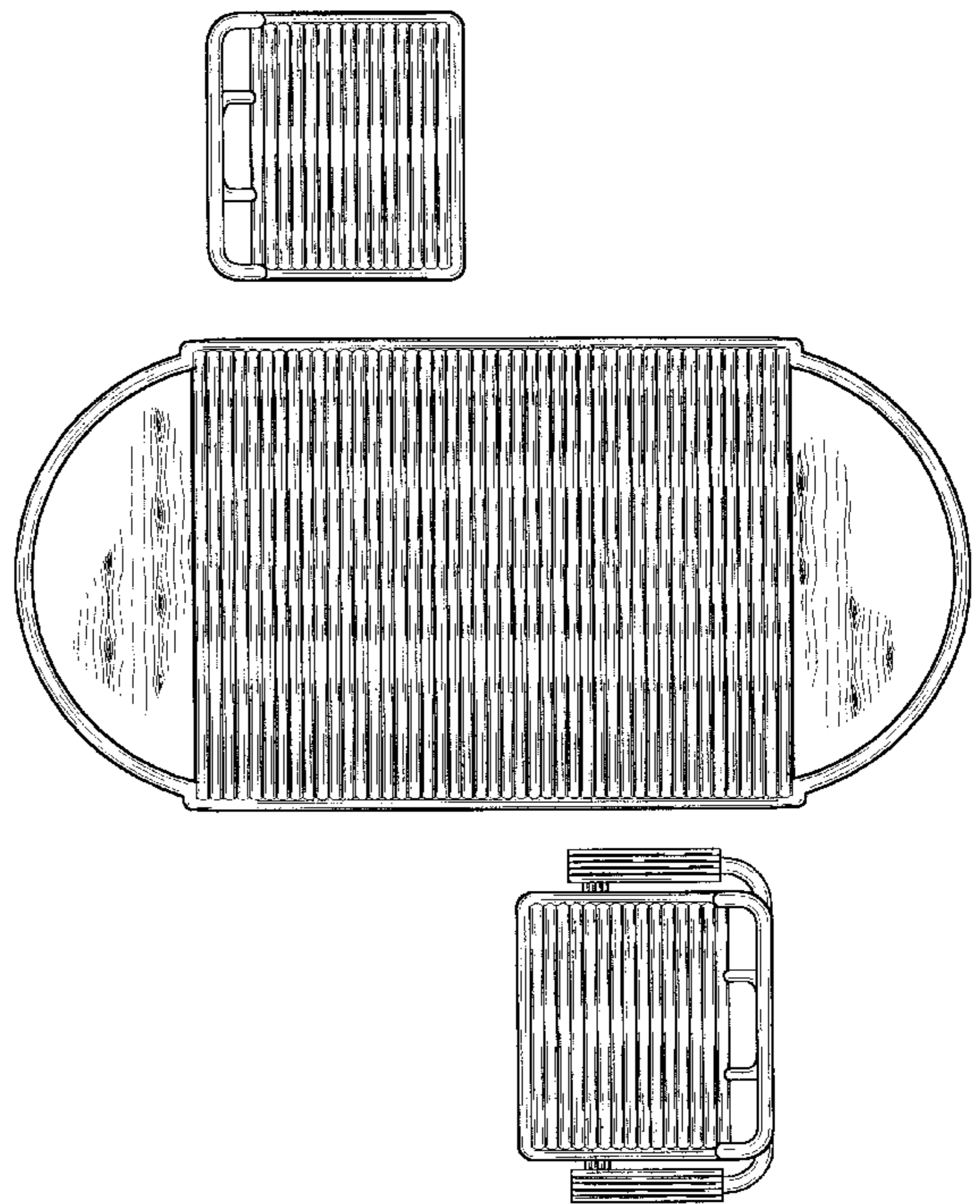
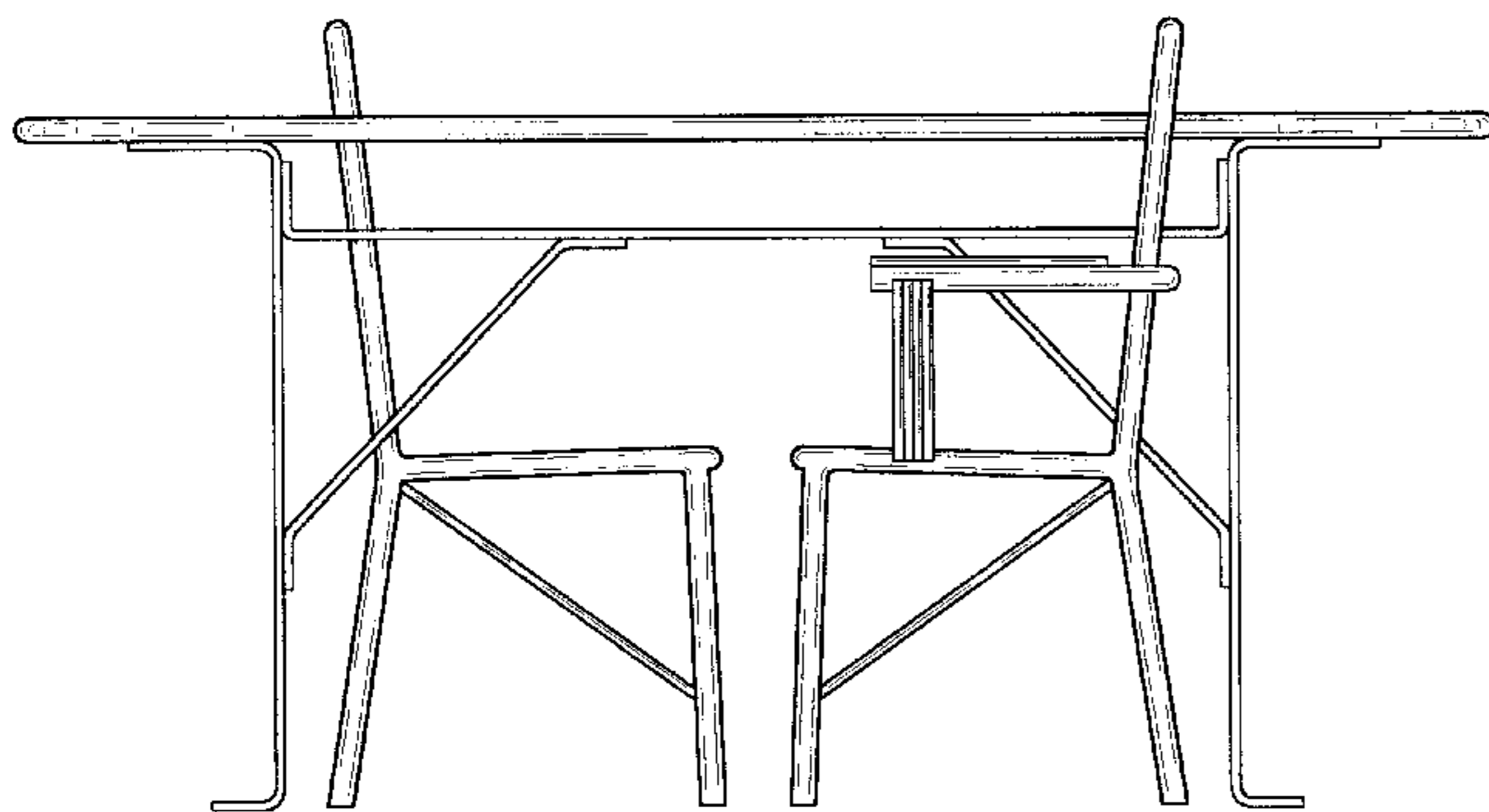
(57) **CLAIM**

The ornamental design for a chair and table set, as shown and described.

DESCRIPTION

FIG. 1 is a front elevational view of the chair and table set of the present invention;
FIG. 2 is a rear elevational view of the chair and table set of FIG. 1;
FIG. 3 is a left side elevational view of the chair and table set of FIG. 1;
FIG. 4 is a right side elevational view of the chair and table set of FIG. 1;
FIG. 5 is a top plan view of the chair and table set of FIG. 1; and,
FIG. 6 is a bottom plan view of the chair and table set of FIG. 1.

1 Claim, 4 Drawing Sheets



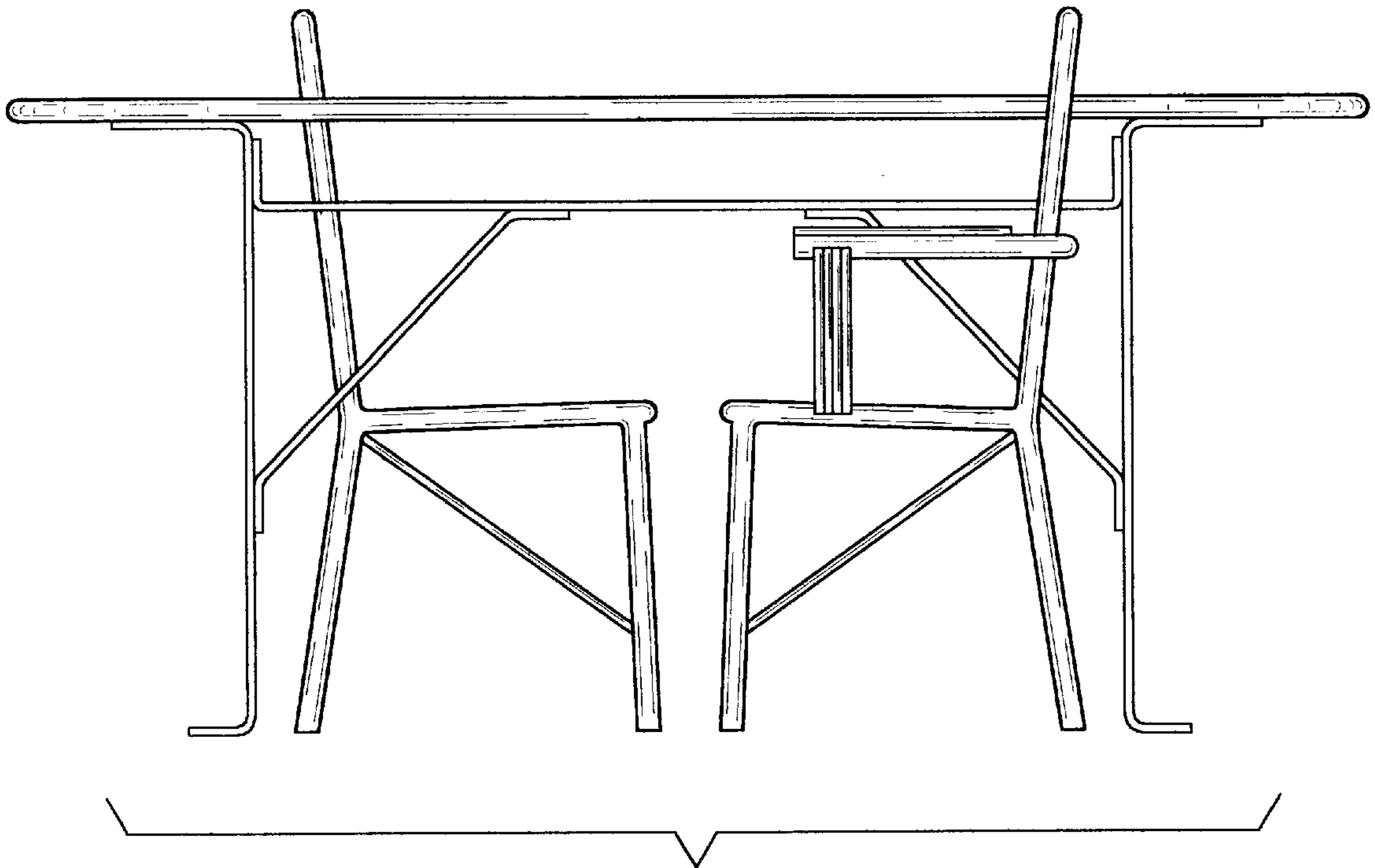


Fig. 1

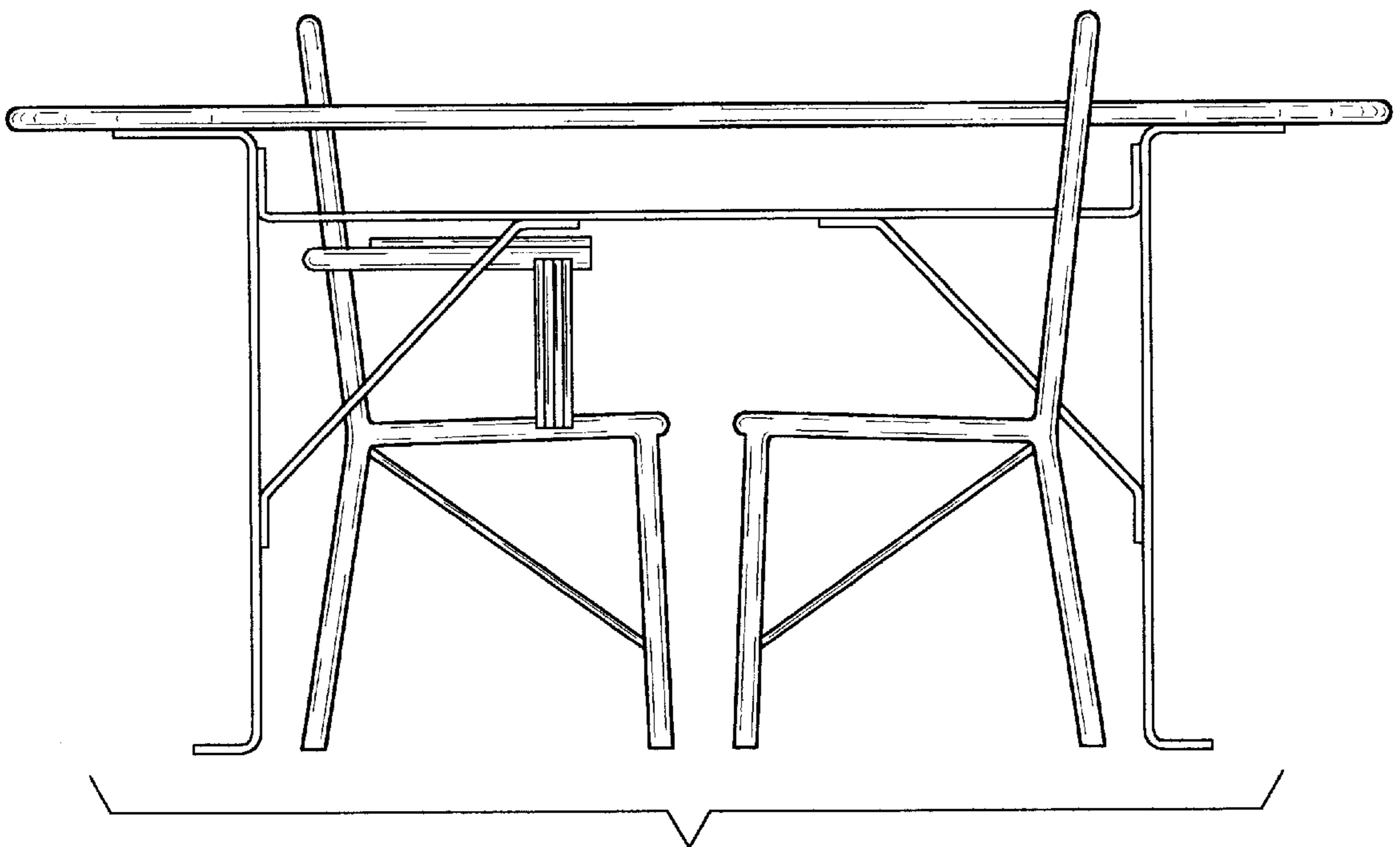


Fig. 2

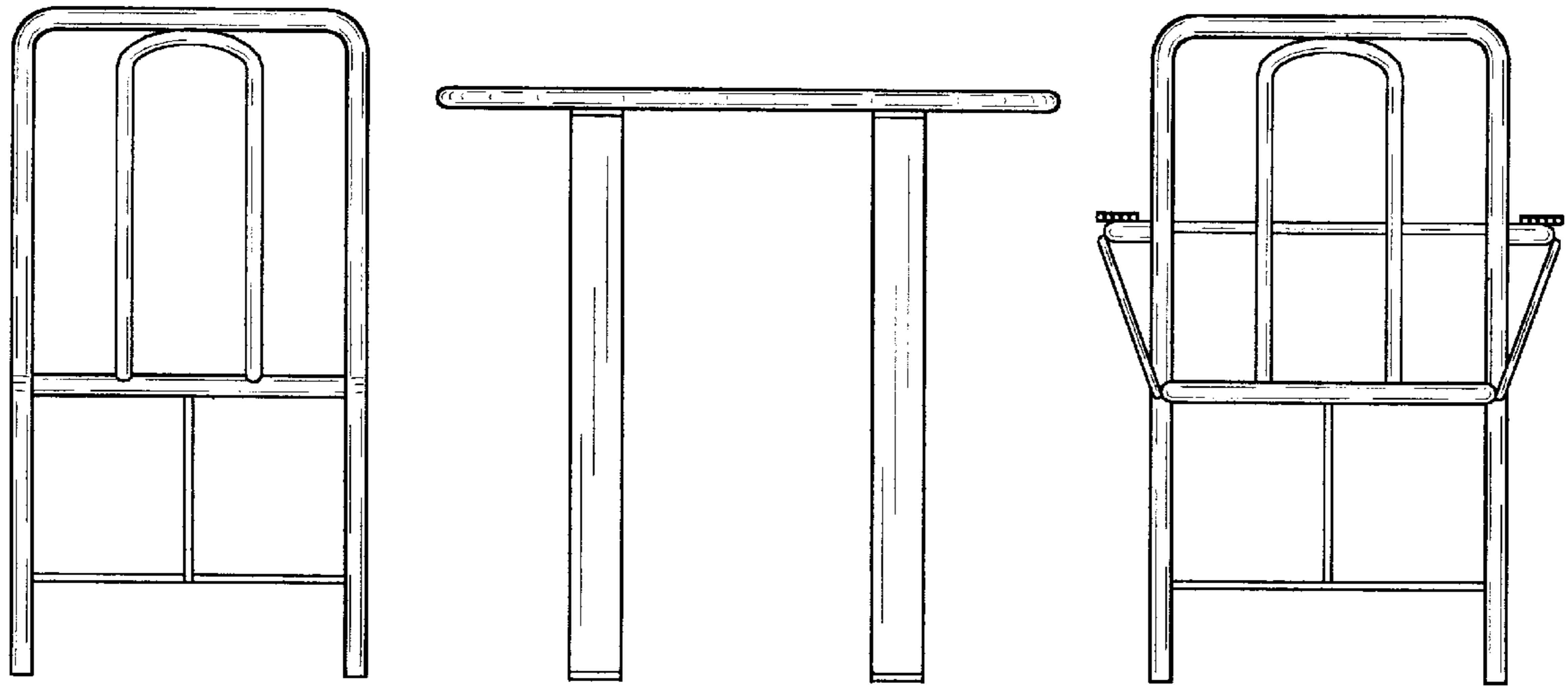


Fig. 3

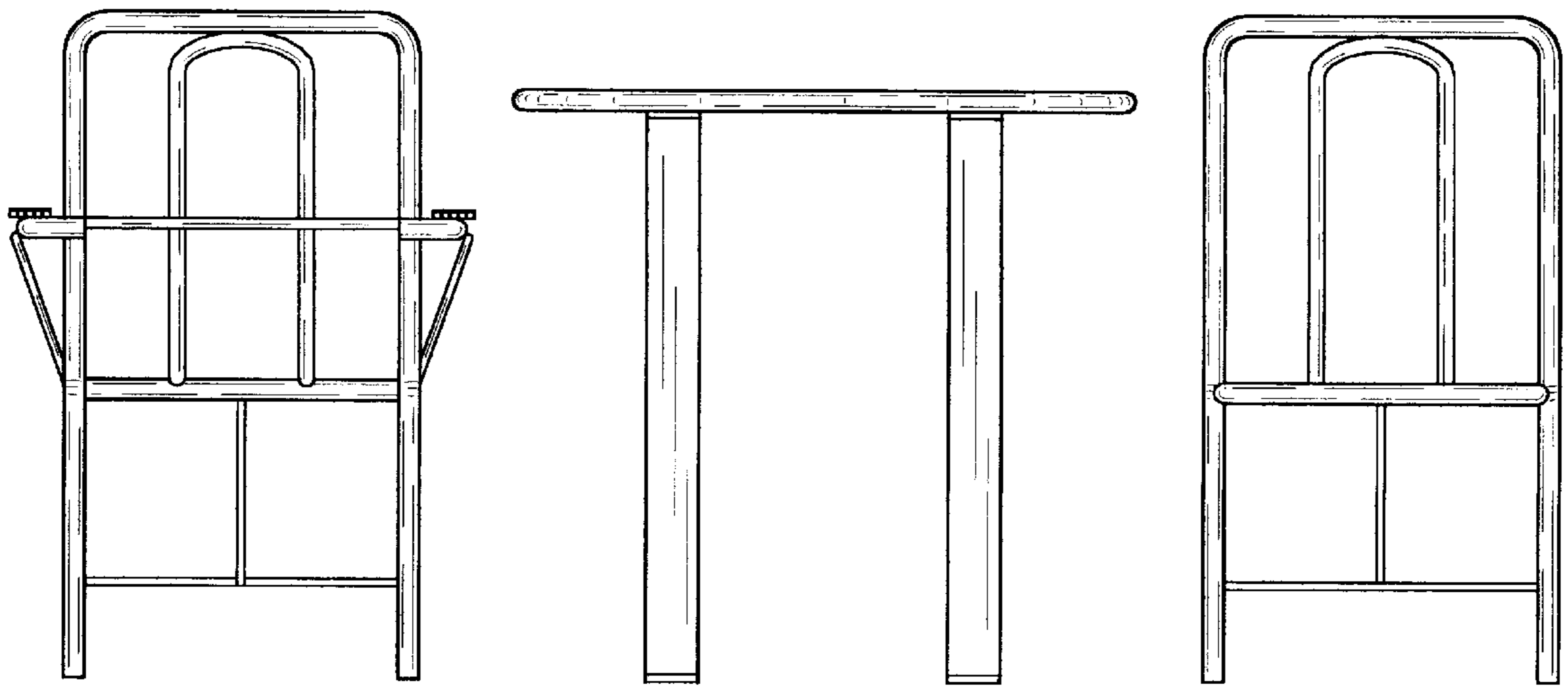


Fig. 4

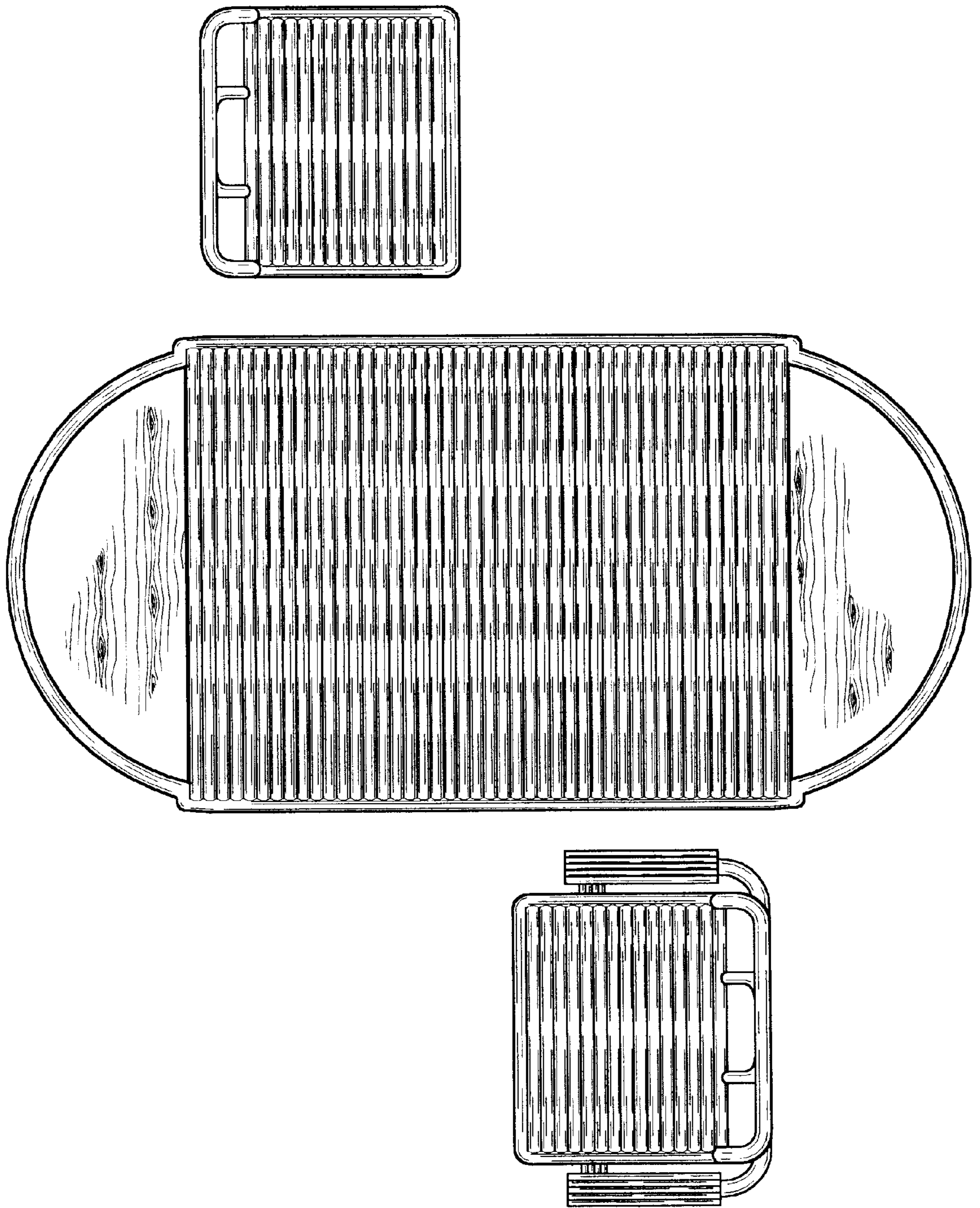


Fig. 5

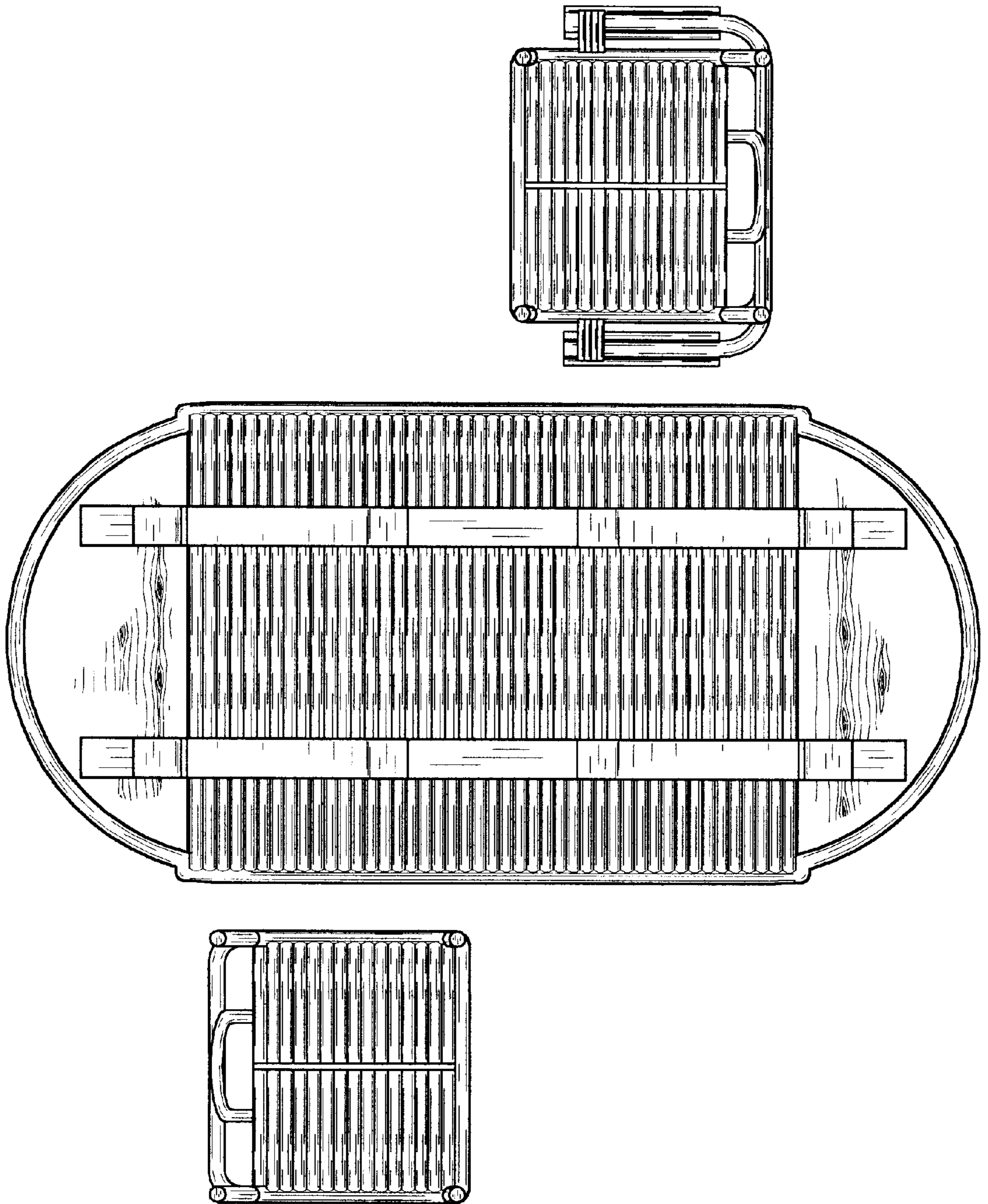


Fig. 6