



US00D447345B1

(12) **United States Design Patent**
Naghibi

(10) **Patent No.:** **US D447,345 S**

(45) **Date of Patent:** **** Sep. 4, 2001**

(54) **BRISTLE FOR A BRUSH**

6,094,769 8/2000 Driesen et al. .

(75) Inventor: **Moosa Naghibi**, London (GB)

FOREIGN PATENT DOCUMENTS

(73) Assignee: **E. I. du Pont de Nemours and Company**, Wilmington, DE (US)

- 687 272 3/1967 (BE) .
- 11 40 901 12/1962 (DE) .
- 3116189 * 12/1982 (DE) .
- 85 22 986 11/1985 (DE) .
- 195 33 815 3/1997 (DE) .
- 196 40 852 4/1998 (DE) .
- 0475314 3/1992 (EP) .
- 908466 10/1962 (GB) .
- 1098357 1/1968 (GB) .
- 1129377 10/1968 (GB) .
- 2327599 2/1999 (GB) .
- 345241 12/1936 (IT) .
- WO 97/01974 * 1/1997 (WO) .
- WO 97/09906 3/1997 (WO) .
- WO 97/38603 10/1997 (WO) .
- WO 99/55195 11/1999 (WO) .

(**) Term: **14 Years**

(21) Appl. No.: **29/108,710**

(22) Filed: **Aug. 2, 1999**

(51) **LOC (7) Cl.** **04-01**

(52) **U.S. Cl.** **D4/136**

(58) **Field of Search** D4/136, 199; D24/194;
D28/34; 15/110, 159.1, 160, 188, 207.2,
DIG. 6; 132/901, 320; 601/136, 137, 139;
D11/117, 119, 121

(56) **References Cited**

U.S. PATENT DOCUMENTS

- 877,324 * 1/1908 Gilbert 15/160 X
- 2,110,371 3/1938 Radford .
- 2,734,329 2/1956 Fogle .
- 2,806,476 9/1957 Thompson .
- 3,422,176 1/1969 Jamison .
- 3,567,569 3/1971 Ono et al. .
- 3,592,727 7/1971 Weaver et al. .
- 3,691,748 9/1972 Buzano .
- 4,059,950 11/1977 Negishi et al. .
- 4,295,832 10/1981 Karell .
- 4,373,541 2/1983 Nishioka 15/167.1
- 4,493,126 1/1985 Uy 15/186
- 4,545,393 10/1985 Gueret et al. .
- 4,610,926 9/1986 Tezuka .
- 4,902,230 2/1990 Jones .
- 5,208,108 5/1993 Russell et al. .
- 5,460,883 10/1995 Barber, Jr. et al. .
- 5,545,480 8/1996 Lalani .
- 5,626,961 5/1997 Aneja .
- 5,731,084 3/1998 Smith .
- 5,816,728 10/1998 Nardolillo et al. .
- 5,845,652 12/1998 Tseng et al. .
- 6,003,525 12/1999 Katz .
- 6,045,911 4/2000 Legrand et al. .

OTHER PUBLICATIONS

Provisional Appln. No. 60/142,772 Filed Jul. 8, 1999 in the name of Naghibi now abandoned.

* cited by examiner

Primary Examiner—Robin V. Taylor

Assistant Examiner—Lavone Tabor

(57) **CLAIM**

The ornamental design for a bristle for a brush, as shown and described.

DESCRIPTION

UK Patent Application No. 9726429.5

U.S. Provisional Application No. 60/142,772

FIG. 1 is a perspective view of a bristle for a brush showing my new design;

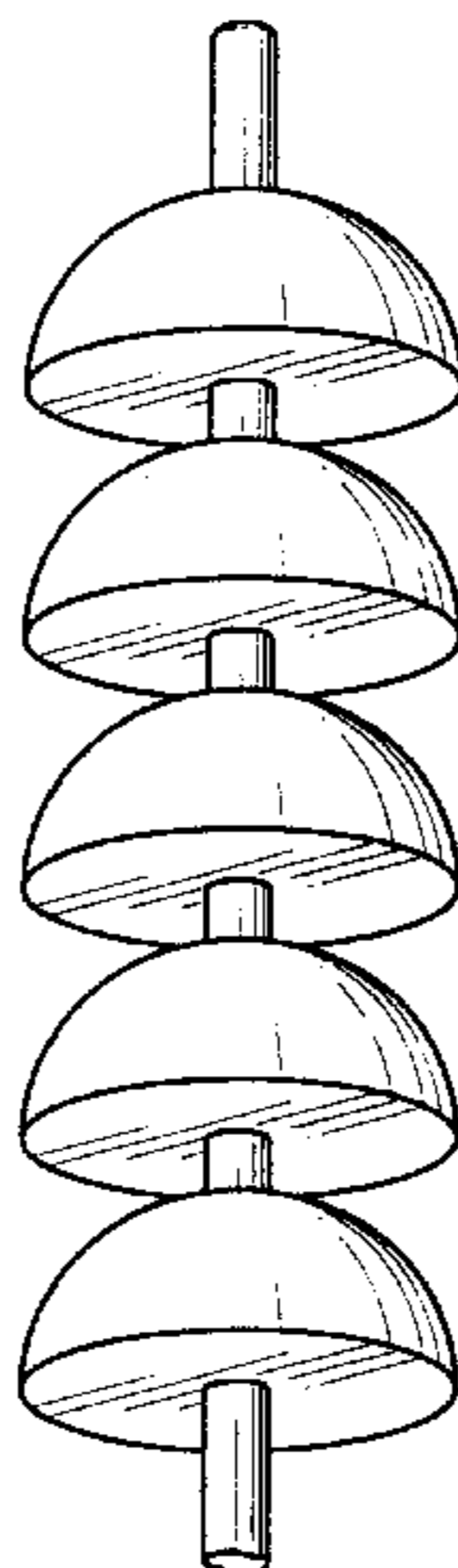
FIG. 2 is an elevation view thereof;

FIG. 3 is a top plan view thereof; and,

FIG. 4 is a bottom plan view thereof.

The bottom end of the bristle is shown broken away to indicate indeterminate length.

1 Claim, 1 Drawing Sheet



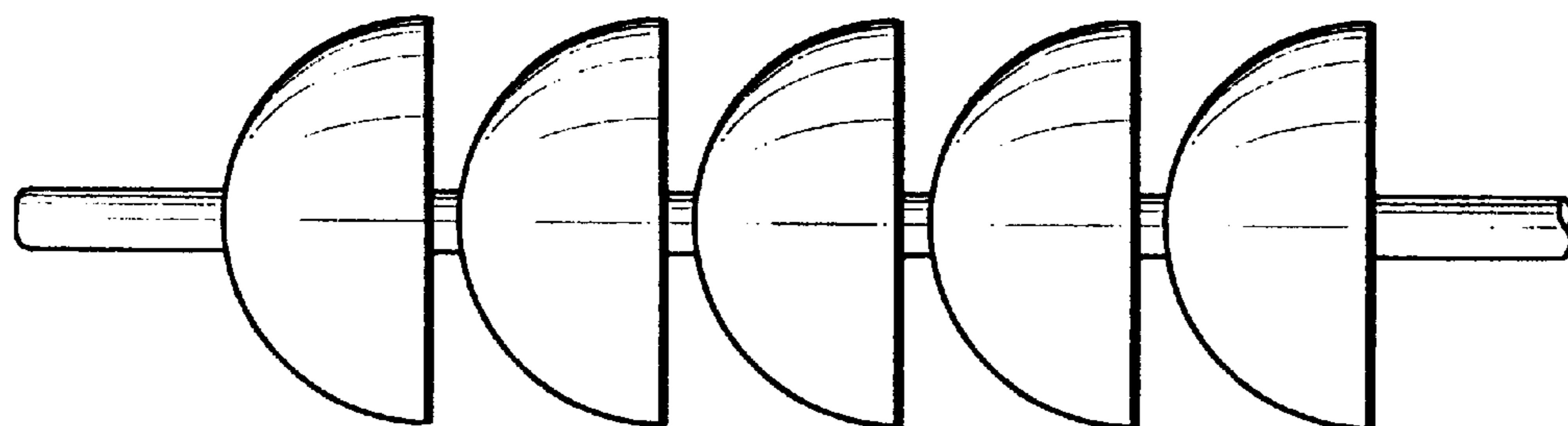


FIG. 2

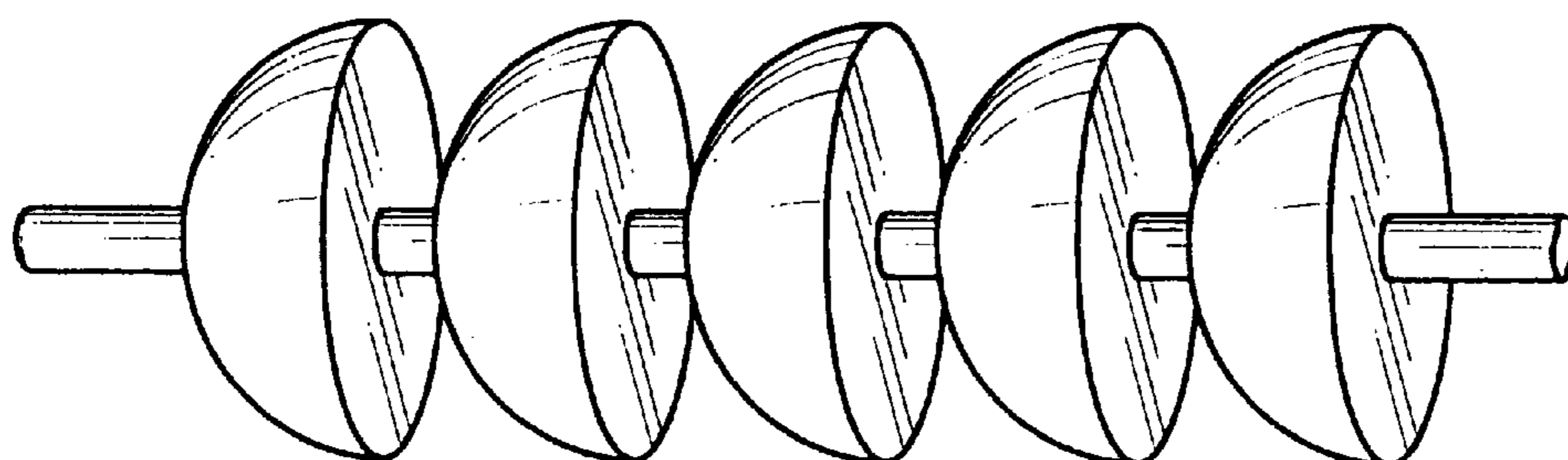


FIG. 1

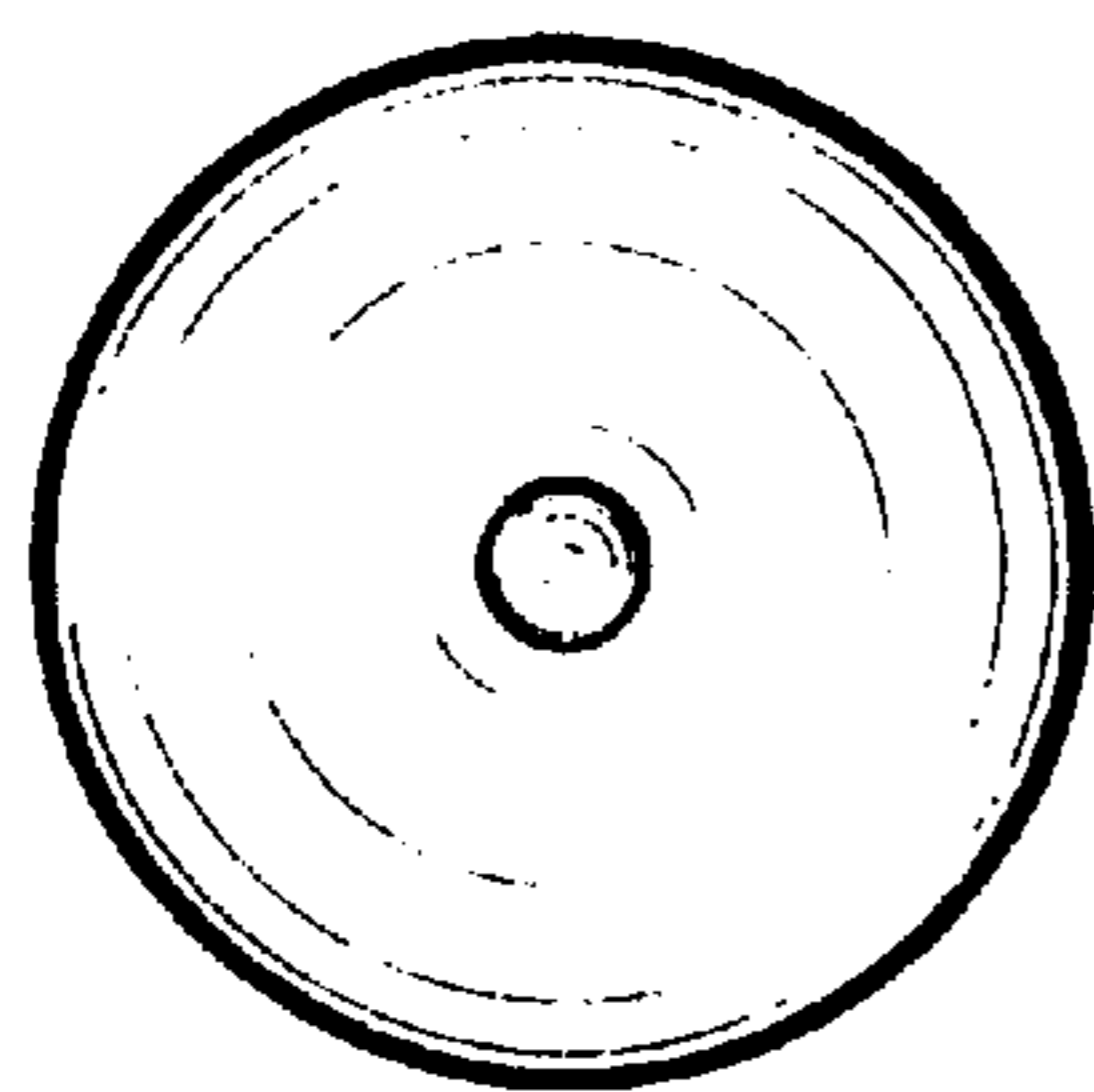


FIG. 3

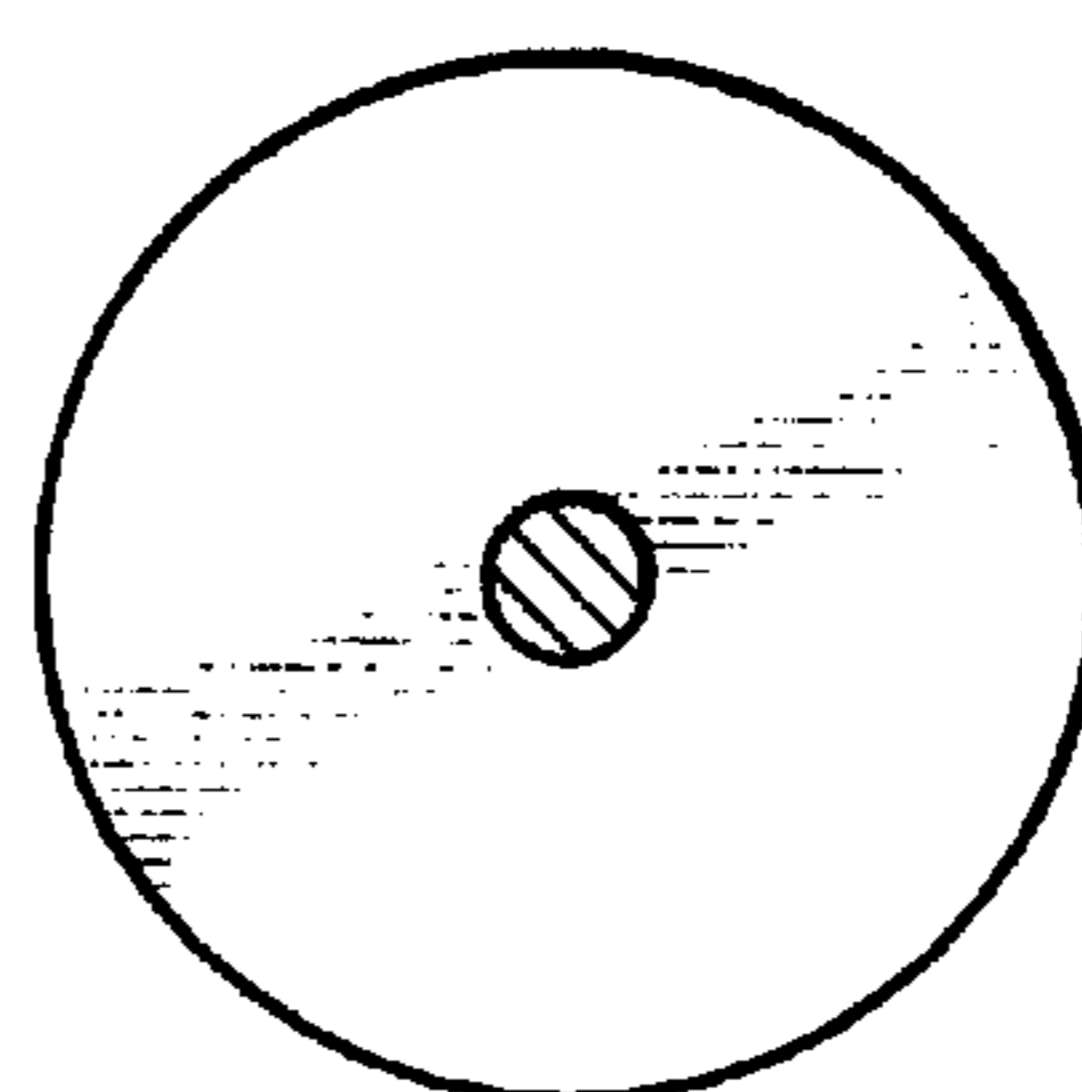


FIG. 4