



US00D447340B1

(12) **United States Design Patent**  
**Snider**

(10) **Patent No.:** **US D447,340 S**

(45) **Date of Patent:** **\*\* Sep. 4, 2001**

- (54) **TOOL STORAGE BAG**
- (75) Inventor: **Gregory Scott Snider**, Bel Air, MD  
(US)
- (73) Assignee: **Black & Decker Inc.**, Newark, DE  
(US)
- (\*\*) Term: **14 Years**
- (21) Appl. No.: **29/127,252**
- (22) Filed: **Aug. 2, 2000**
- (51) **LOC (7) Cl.** ..... **03-01**
- (52) **U.S. Cl.** ..... **D3/276; D3/283; D3/905**
- (58) **Field of Search** ..... **D3/273, 276, 283,**  
**D3/285, 286, 294, 295, 905; 206/349, 372,**  
**373; 190/100, 111, 112, 113**

5,653,337 *	8/1997	Cirgilano	.....	206/373
5,813,445	9/1998	Christman	.....	150/106
5,813,530 *	9/1998	Kornblatt	.....	206/373
6,076,715	6/2000	Easter	.....	224/149

**FOREIGN PATENT DOCUMENTS**

GM7504529	6/1975	(DE)	.
3220496C2	12/1983	(DE)	.
G8811505	12/1988	(DE)	.
G9101678	6/1991	(DE)	.
4005311C2	9/1991	(DE)	.
4322534A1	1/1994	(DE)	.
0327140A2	8/1989	(EP)	.
0574101A1	12/1993	(EP)	.
0760787B1	3/1997	(EP)	.

**OTHER PUBLICATIONS**

Deluth Trading Company Catalog, p. 2 Crate Boss, p. 13 soft sider, and p. 23 riggers bag, 1998.\*

\* cited by examiner

*Primary Examiner*—Philip S. Hyder

(74) *Attorney, Agent, or Firm*—Harness, Dickey & Pierce, P.L.C.

(56) **References Cited**

**U.S. PATENT DOCUMENTS**

D. 222,951	2/1972	Stringer .	
D. 376,454 *	12/1996	Fierek et al. ....	D3/905
D. 383,601	9/1997	Jones et al. ....	D3/260
D. 396,144 *	7/1998	Farmer	..... D3/283
D. 414,932 *	10/1999	Platte, III	..... D3/283
900,094	10/1908	Fisher .	
918,837	4/1909	Fisher .	
1,176,266	3/1916	Batchelder .	
1,251,404	12/1917	Mills .	
1,359,461	11/1920	Luce .	
2,377,311	6/1945	Campbell .	
2,502,486	4/1950	Savrin .	
2,554,004	5/1951	Bergstein .	
3,181,751	5/1965	Wilson .	
4,140,164	2/1979	Staup .	
4,703,517	10/1987	Marino .	
4,738,547	4/1988	Brown .	
4,836,374	6/1989	Hutchins et al. ....	206/373
4,993,551 *	2/1991	Lindsay	..... 206/373
5,174,447 *	12/1992	Fleming	..... 206/373

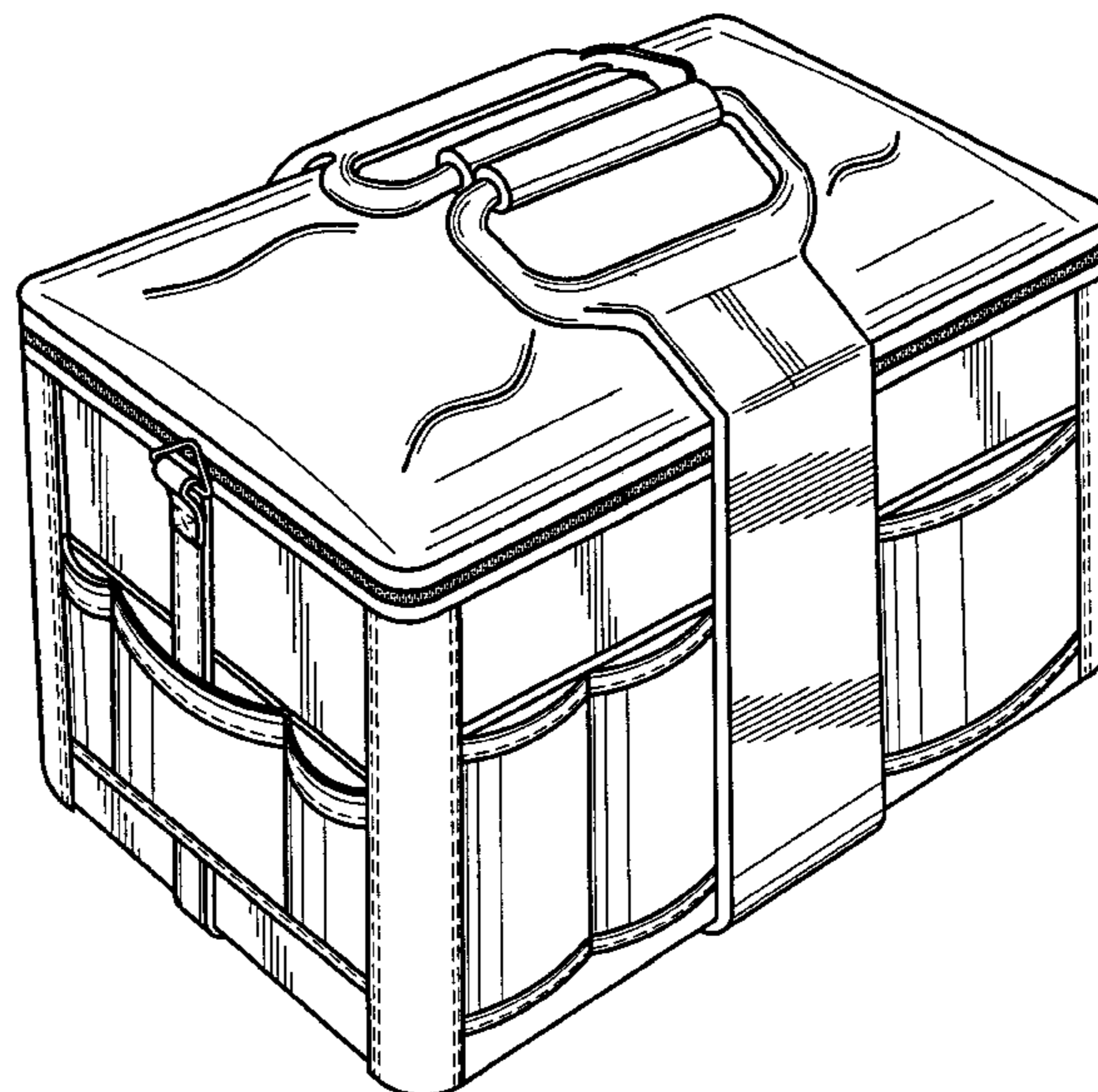
(57) **CLAIM**

The ornamental design for a tool storage bag, as shown and described.

**DESCRIPTION**

FIG. 1 is a front perspective view of a tool storage bag shown in the closed position;  
FIG. 2 is a left side view thereof;  
FIG. 3 is a front view thereof;  
FIG. 4 is a right side view thereof;  
FIG. 5 is a top view thereof;  
FIG. 6 is a bottom view thereof; and,  
FIG. 7 is a rear view thereof.

**1 Claim, 4 Drawing Sheets**



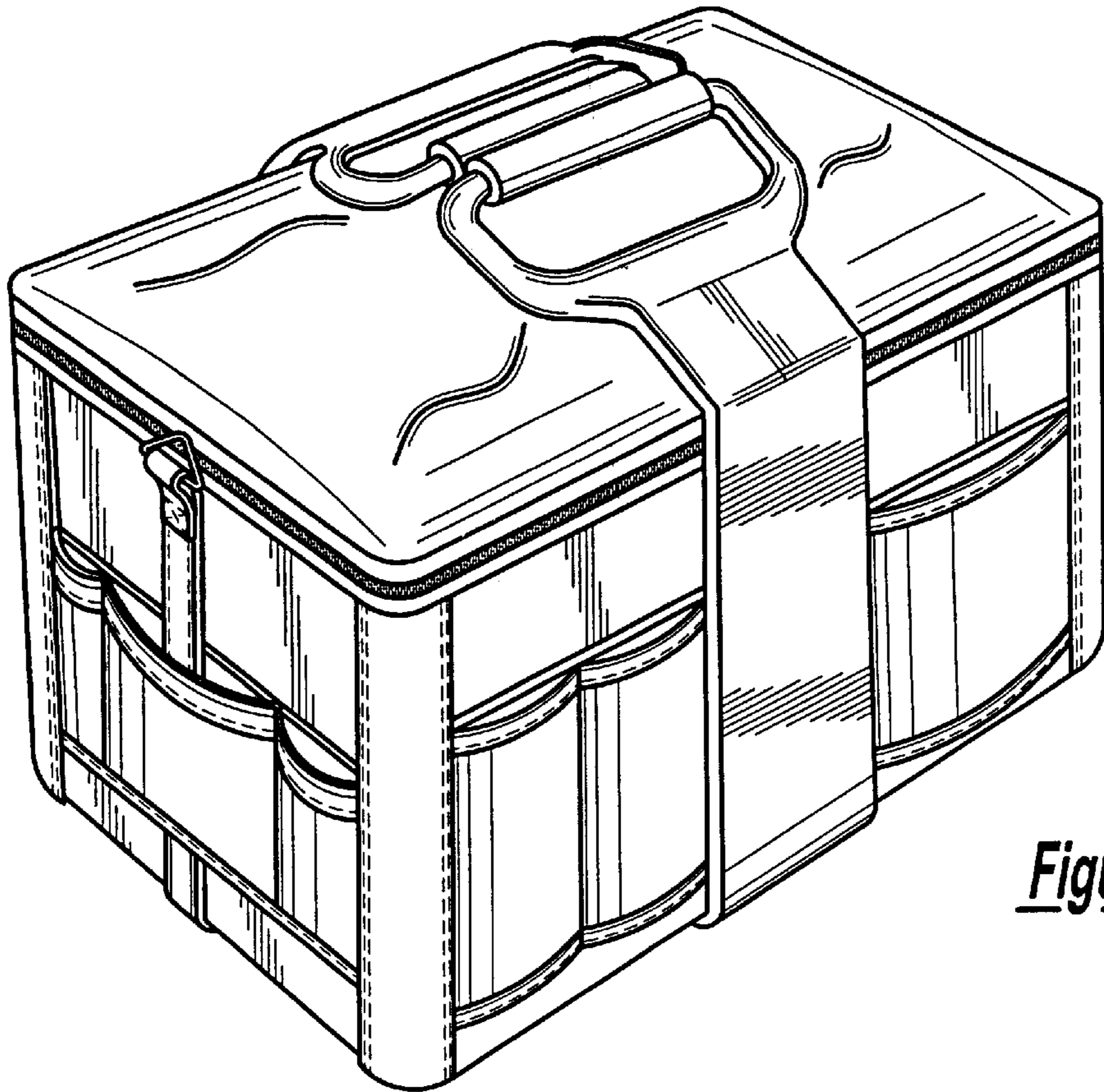


Figure - 1

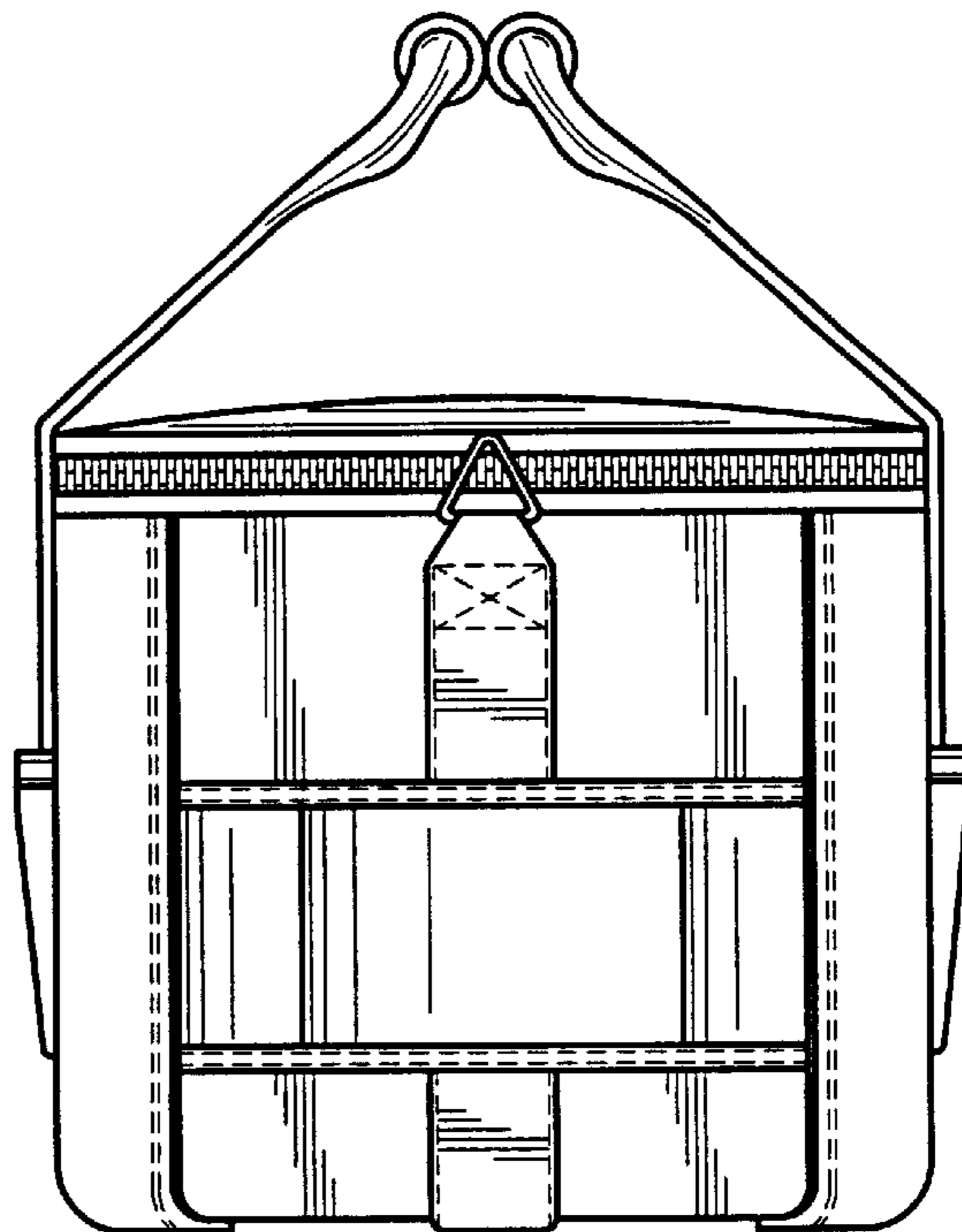


Figure - 2

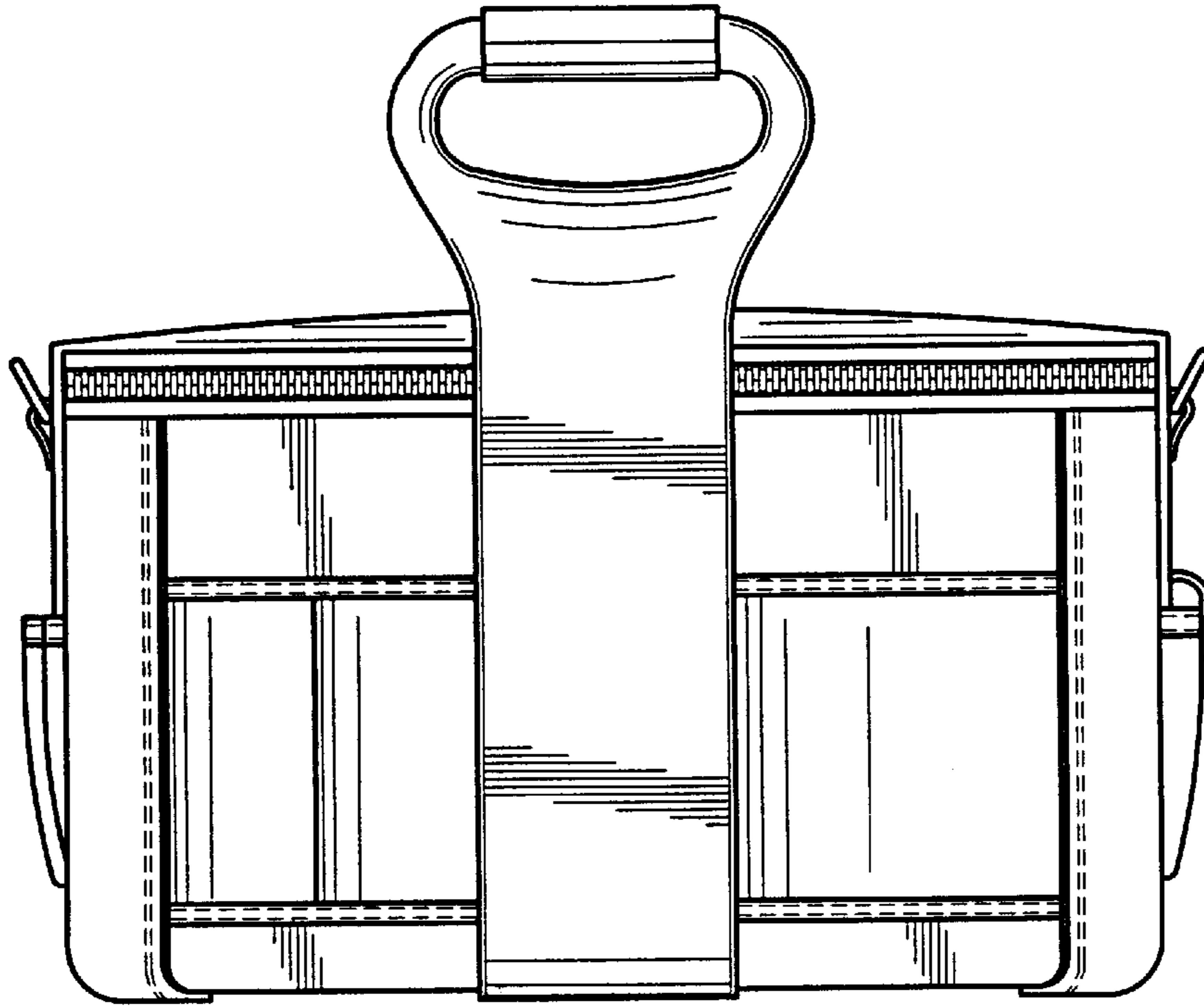


Figure - 3

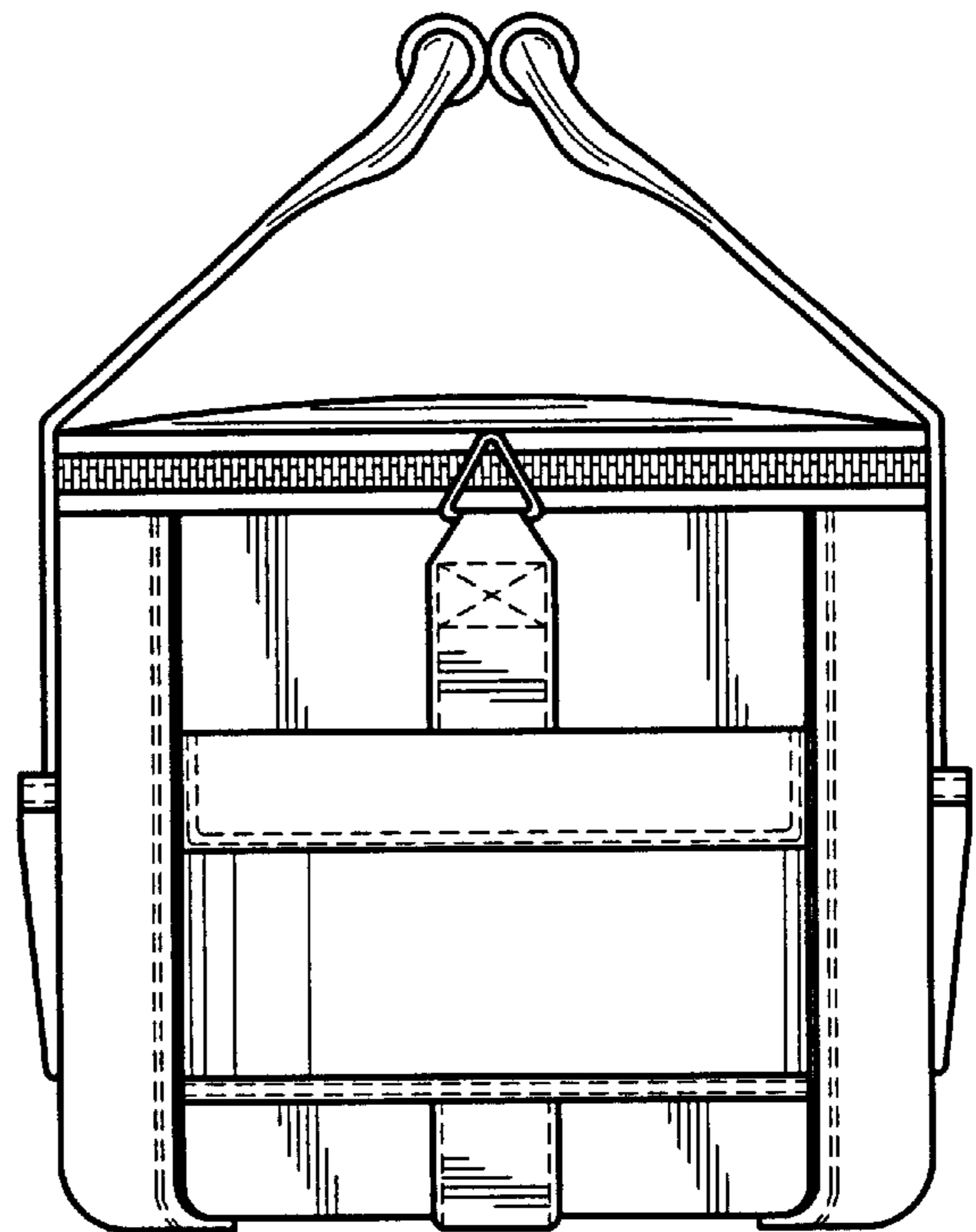


Figure - 4

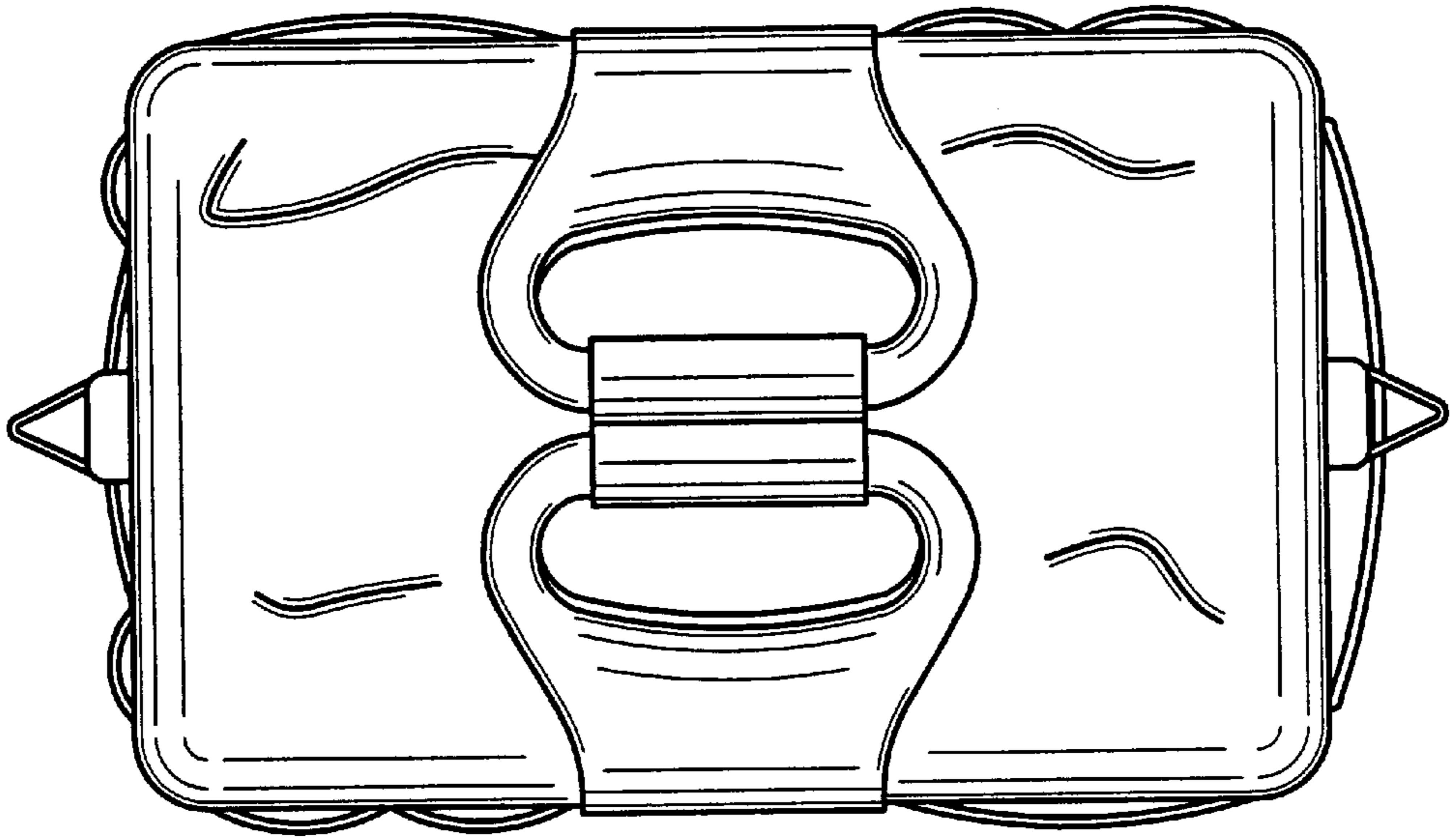


Figure - 5

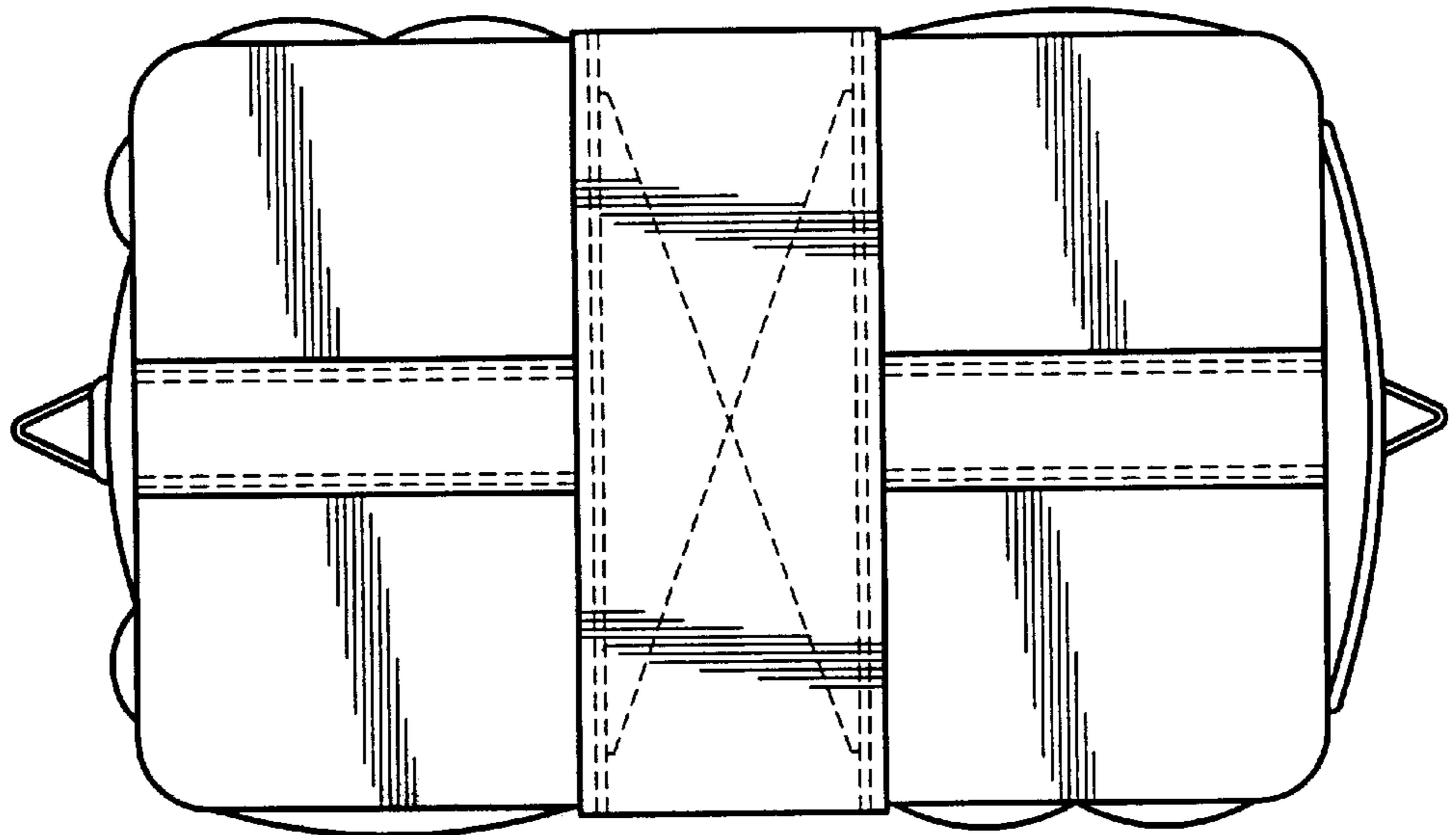


Figure - 6

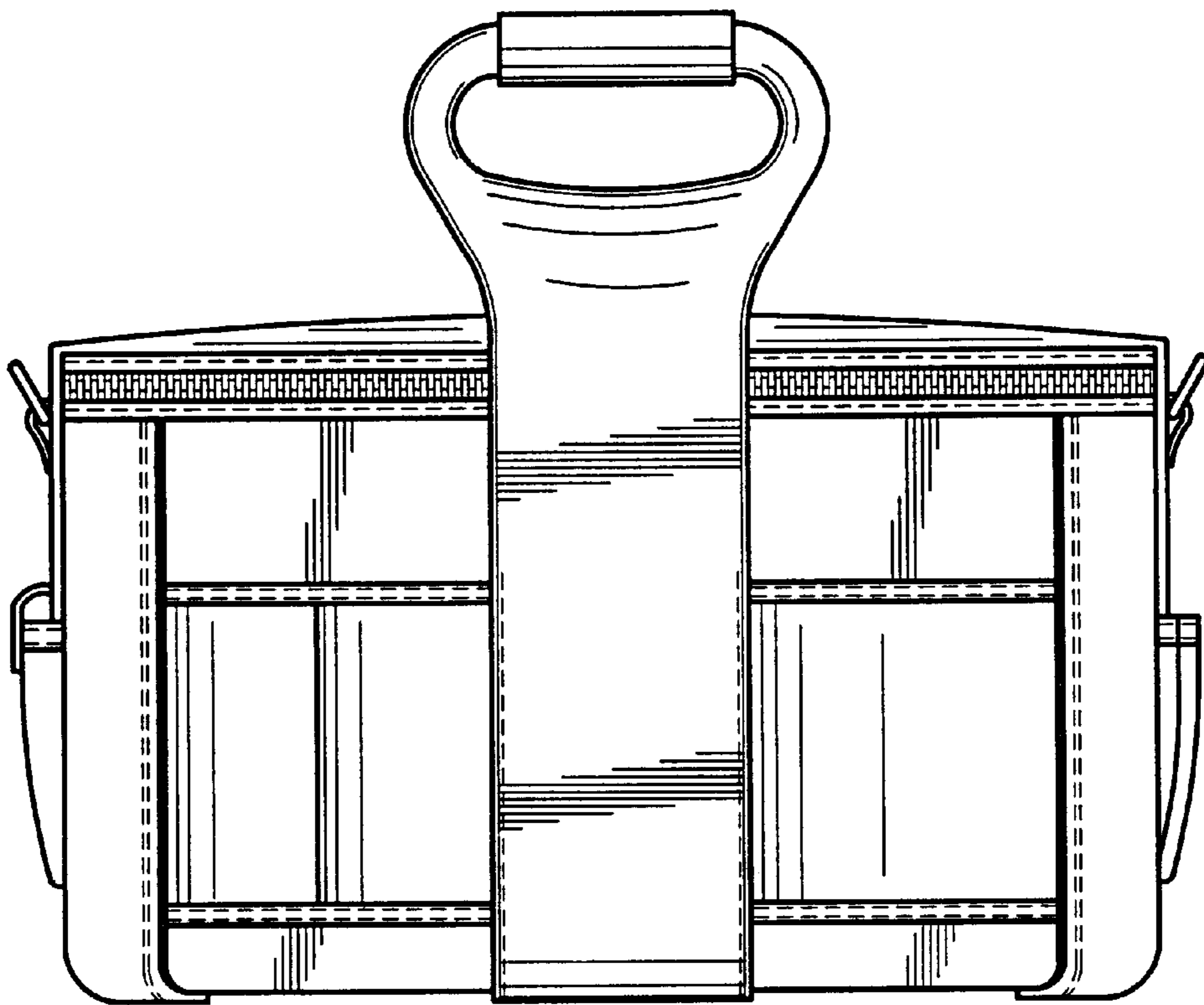


Figure - 7