



US00D447334B1

(12) **United States Design Patent**
Williams

(10) **Patent No.:** **US D447,334 S**

(45) **Date of Patent:** **** Sep. 4, 2001**

(54) **ARTICLE HOLDING CLIP**

5,322,718 * 6/1994 Low D9/314 X

(76) Inventor: **Kevin Williams**, 3032 S. 72nd St.,
Philadelphia, PA (US) 19153

* cited by examiner

Primary Examiner—Catherine R. Oliver
(74) *Attorney, Agent, or Firm*—Goldstein Law Offices P.C.

(**) Term: **14 Years**

(57) **CLAIM**

(21) Appl. No.: **29/129,863**

The ornamental design for an article holding clip, as shown and described.

(22) Filed: **Sep. 22, 2000**

DESCRIPTION

(51) **LOC (7) Cl.** **03-01**

(52) **U.S. Cl.** **D3/218; D3/215**

(58) **Field of Search** D3/218, 215, 221,
D3/228, 226, 299; 224/919, 918; D9/311,
314, 307; 428/15

FIG. 1 is a perspective view of an article holding clip in full lines with an electronic device shown in broken lines representing environmental association matter being for illustrative purposes only and forming no part of the claimed invention.

FIG. 2 is a front elevational view thereof.

FIG. 3 is a rear elevational view thereof.

FIG. 4 is a left side elevational view thereof.

FIG. 5 is a right side elevational view thereof.

FIG. 6 is a top plan view thereof; and,

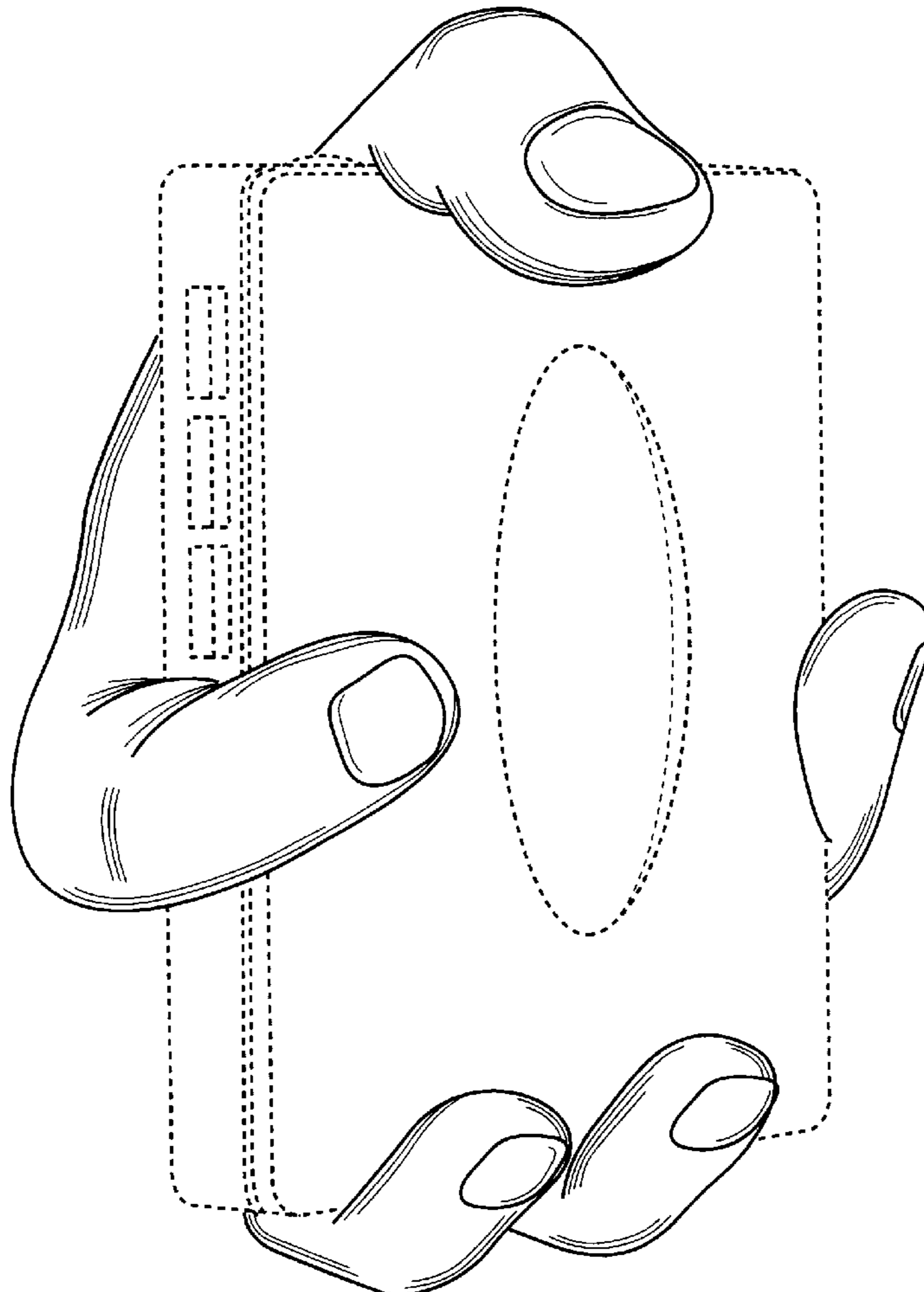
FIG. 7 is a bottom plan view thereof.

(56) **References Cited**

U.S. PATENT DOCUMENTS

D. 238,628	*	2/1976	Davis	D3/221
D. 240,059	*	5/1976	Lewis, Jr.	D3/221
D. 371,904	*	7/1996	Lee	D3/221
D. 377,266	*	1/1997	Khoo et al.	D3/218
D. 439,154	*	3/2001	Alexanco	D9/314

1 Claim, 4 Drawing Sheets



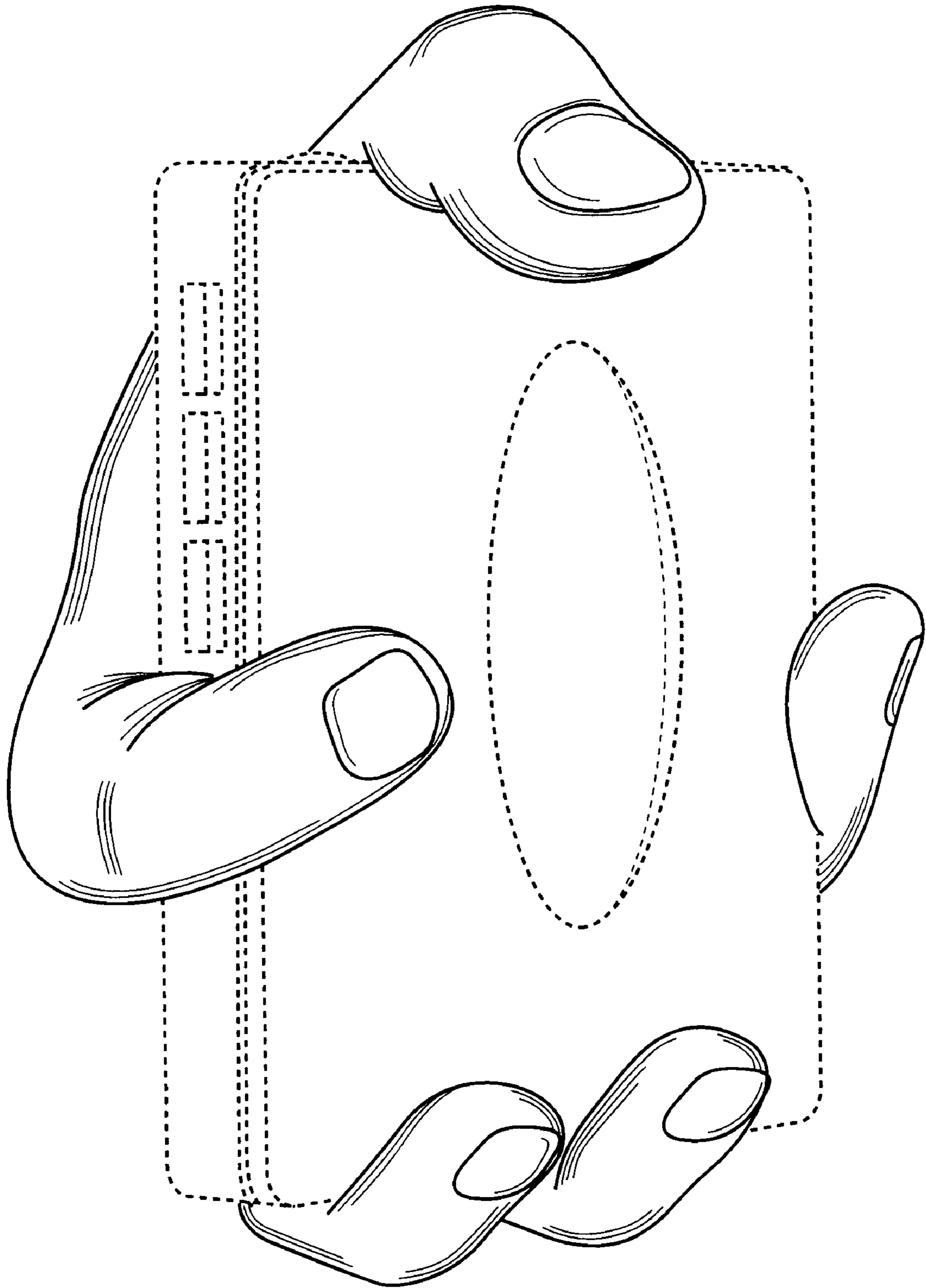


FIG. 1

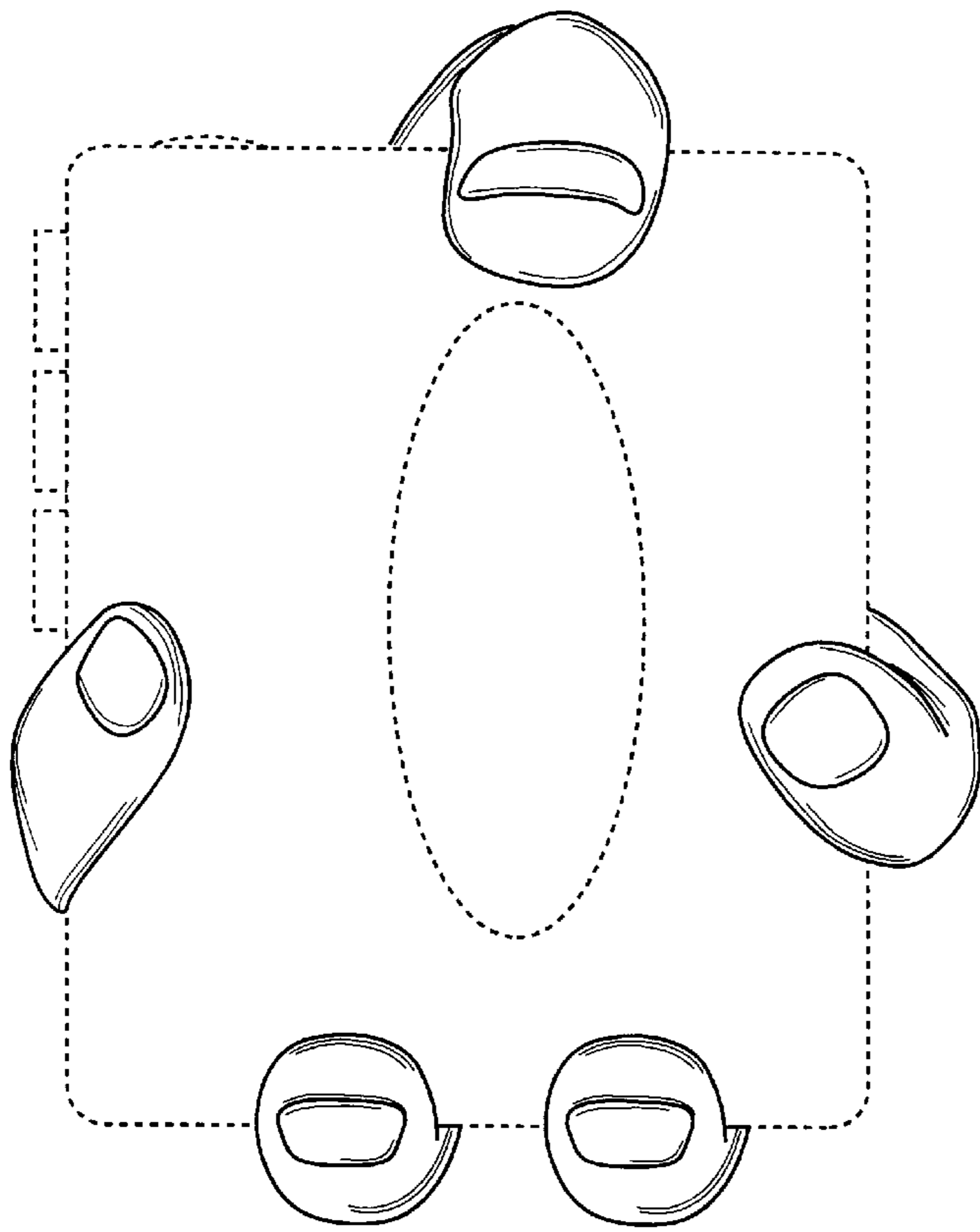


FIG. 2

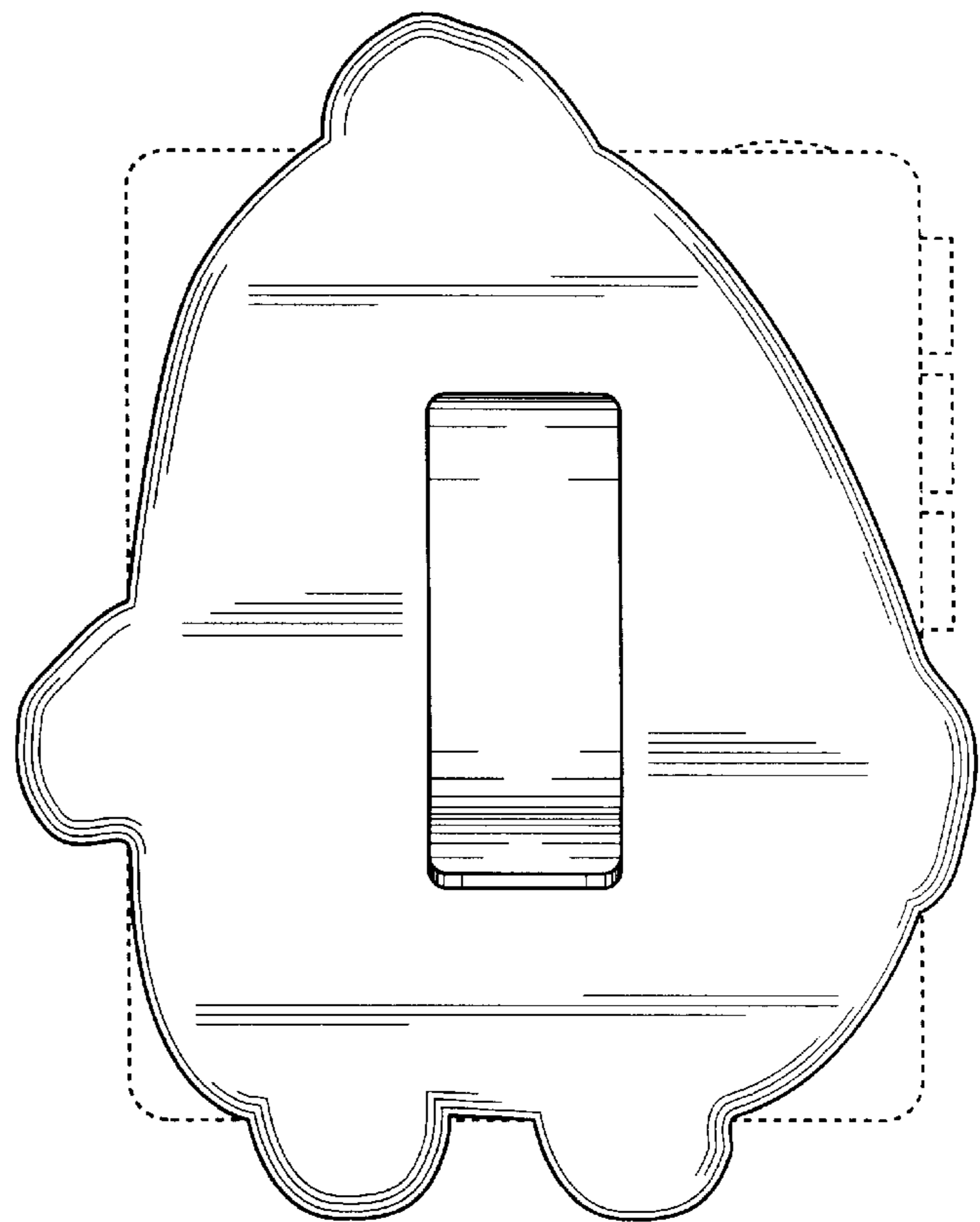


FIG. 3

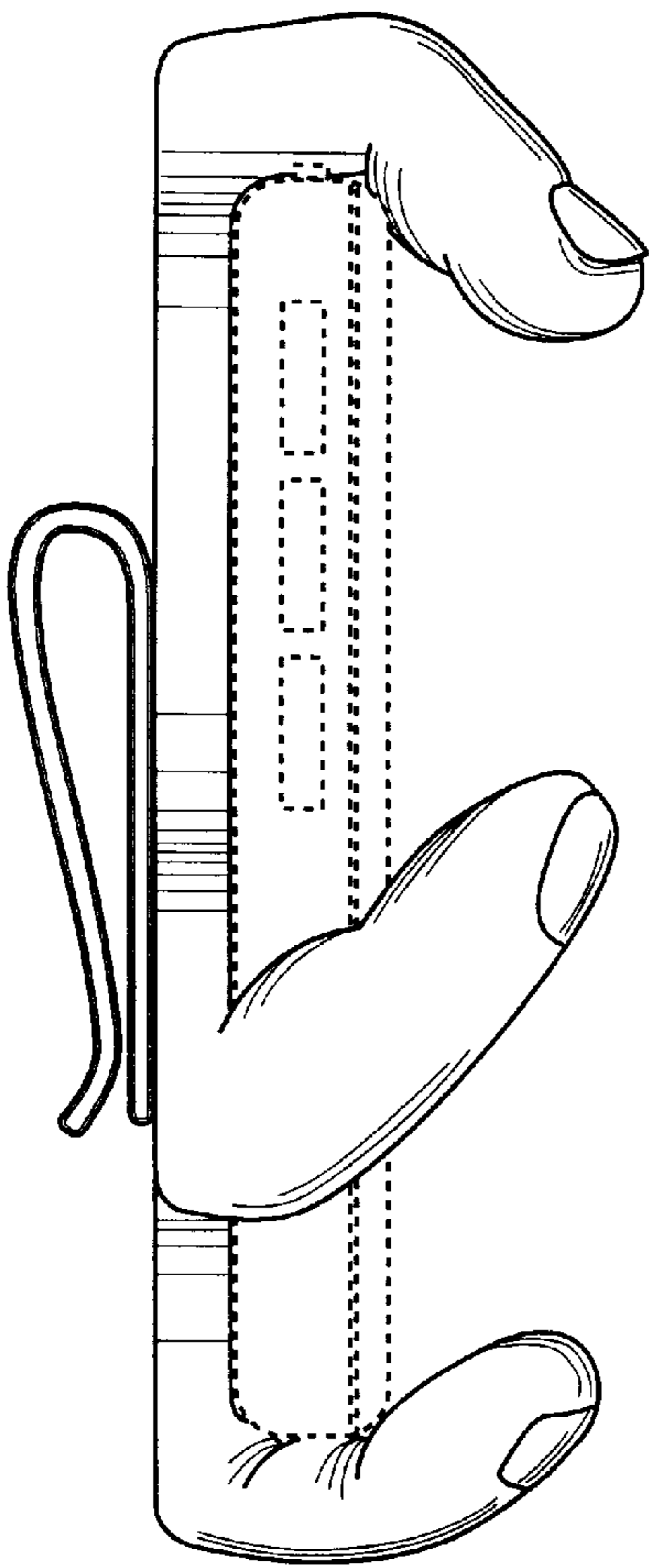


FIG. 4

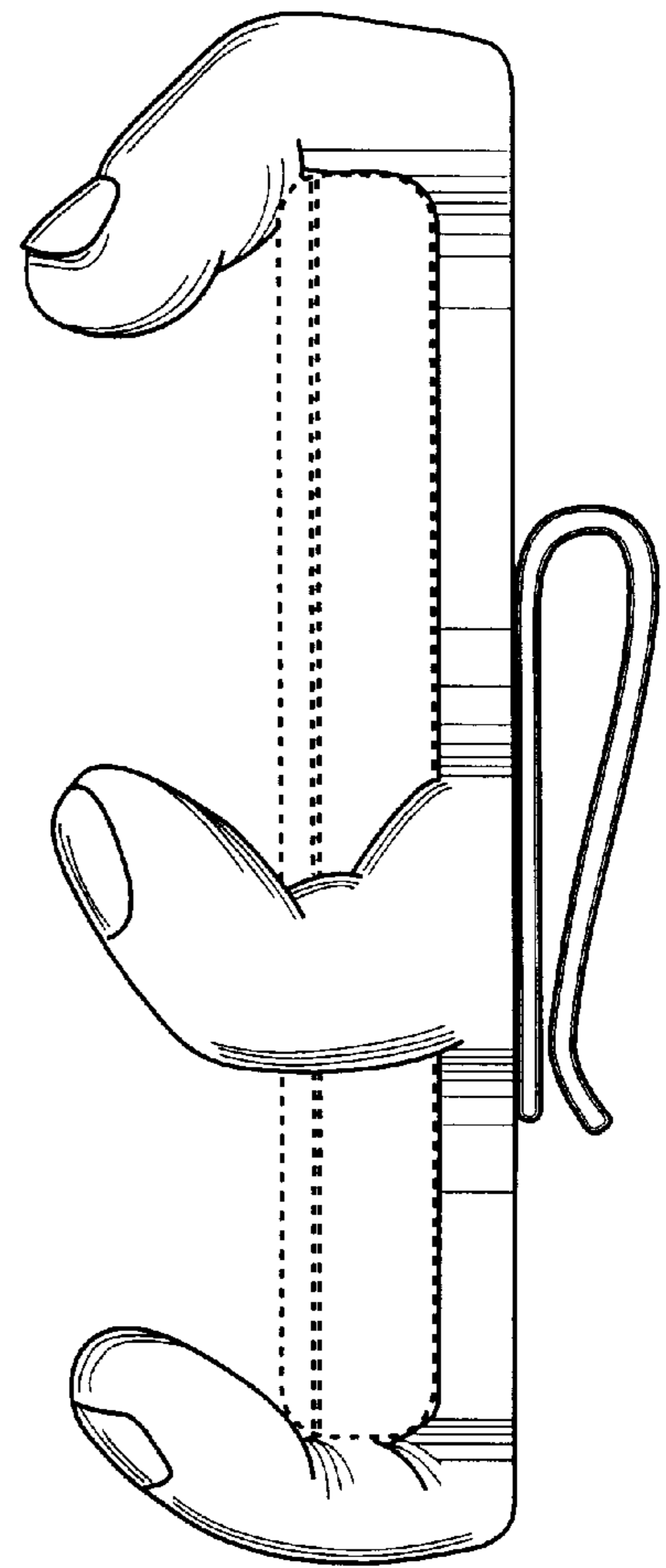


FIG. 5

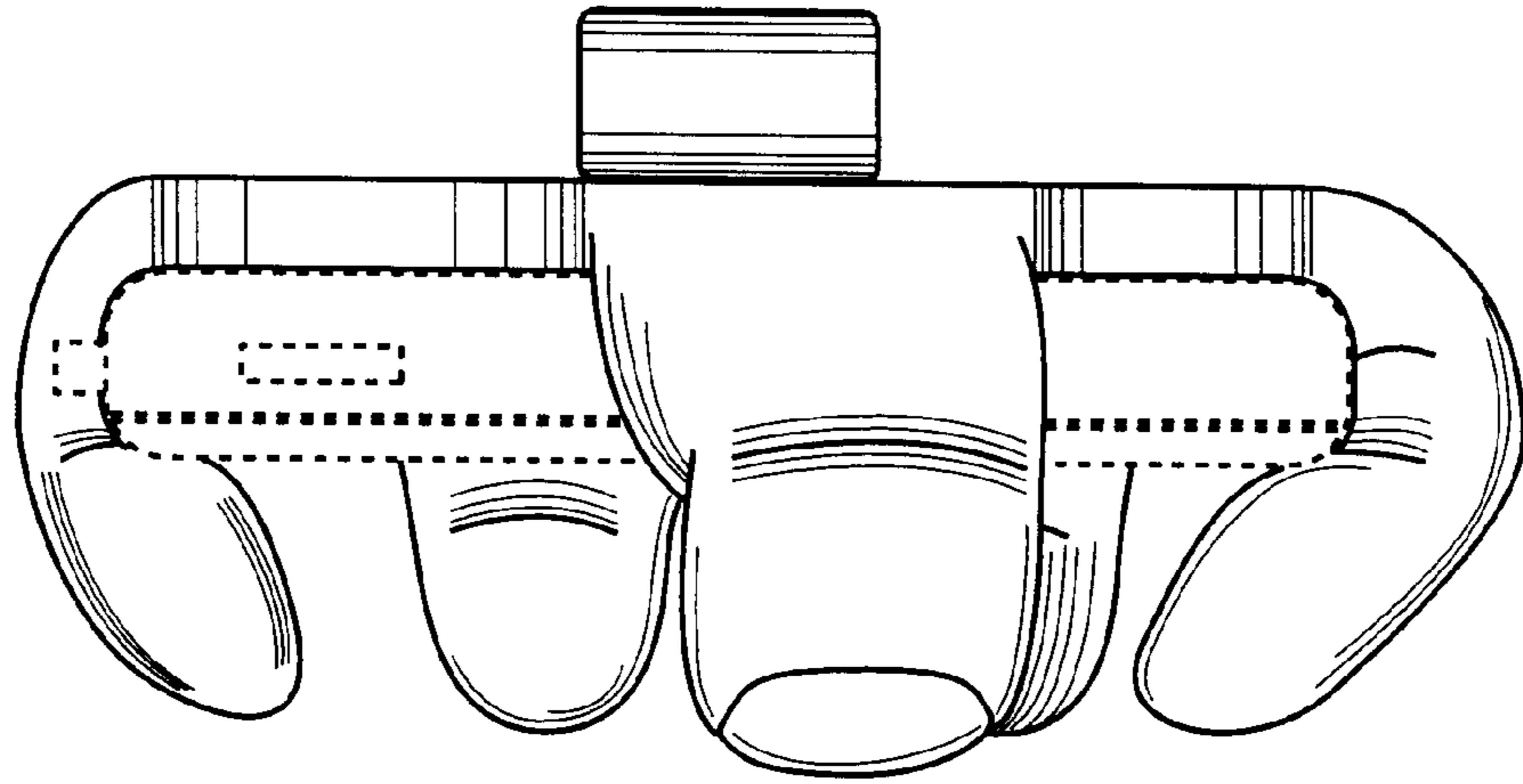


FIG. 6

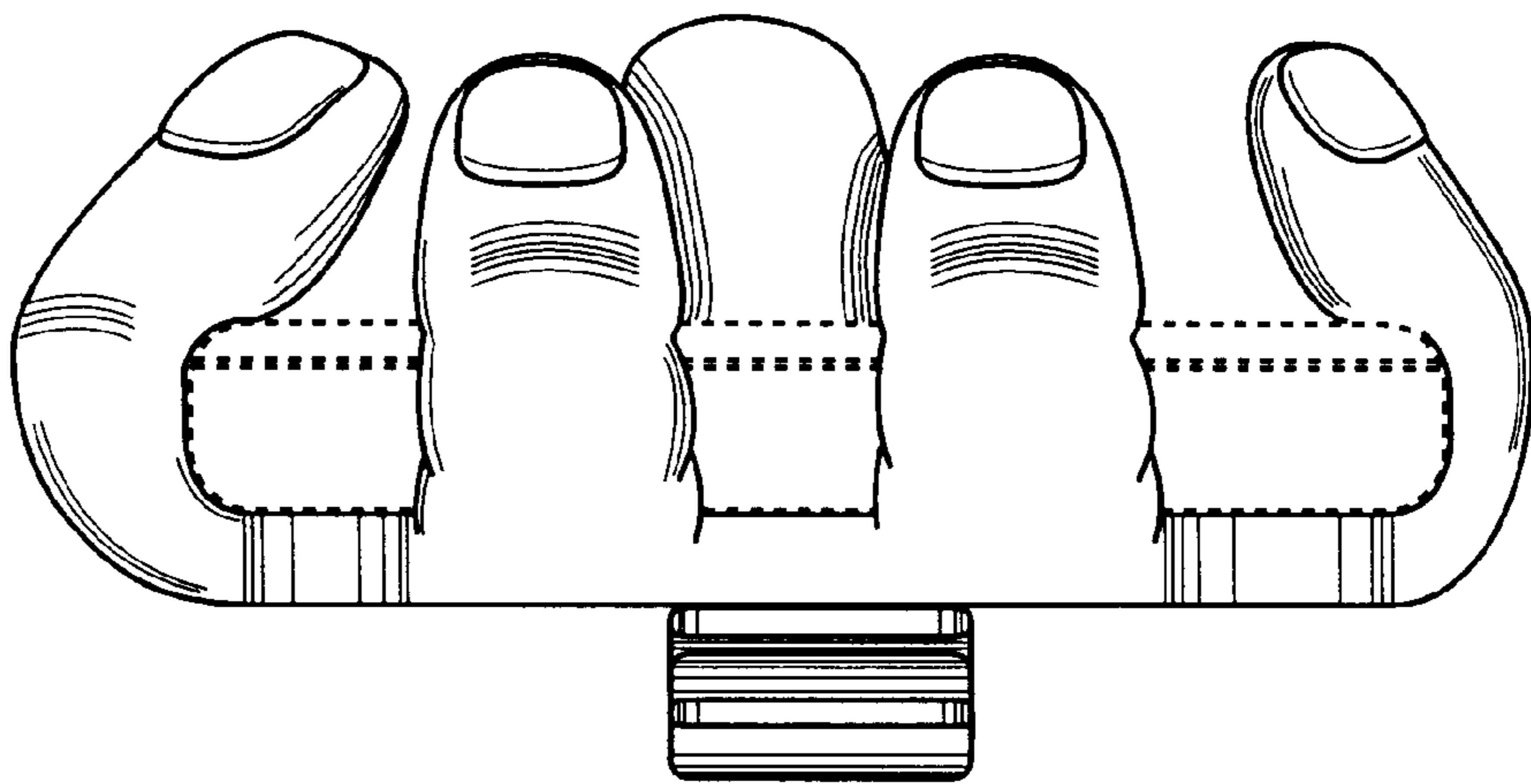


FIG. 7