



US00D447312B1

(12) **United States Design Patent**
Swaine

(10) **Patent No.:** **US D447,312 S**

(45) **Date of Patent:** **** Aug. 28, 2001**

(54) **SELF-SERVICE TERMINAL**

(75) Inventor: **Stephen W. Swaine**, Perthshire (GB)

(73) Assignee: **NCR Corporation**, Dayton, OH (US)

(**) Term: **14 Years**

(21) Appl. No.: **29/124,304**

(22) Filed: **Jun. 2, 2000**

(30) **Foreign Application Priority Data**

Dec. 6, 1999 (GB) 2088601

(51) **LOC (7) Cl.** **14-01**

(52) **U.S. Cl.** **D99/28**

(58) **Field of Search** D99/28, 35, 41;
D14/307, 371, 387, 900, 901; D18/3.3,
4.6; D20/4; 232/43.2; 194/350; 235/375,
379, 380

(56) **References Cited**

U.S. PATENT DOCUMENTS

D. 236,635 * 9/1975 Friedman D99/28

D. 252,410 * 7/1979 Graser D99/28

D. 276,626 * 12/1984 Lockwood D20/2

D. 289,778 * 5/1987 Thomas D20/1

4,359,631 * 11/1982 Lockwood et al. 235/381

* cited by examiner

Primary Examiner—Paula A. Mortimer

(57) **CLAIM**

The ornamental design for self-service terminal, as shown and described.

DESCRIPTION

FIG. 1 is a front view of self-service terminal showing my new design;

FIG. 2 is a rear view thereof;

FIG. 3 is a side view, taken from the right side of FIG. 1;

FIG. 4 is a side view, taken from the left side of FIG. 1;

FIG. 5 is a top plan view thereof; and,

FIG. 6 is a left front perspective view from FIG. 1.

1 Claim, 6 Drawing Sheets

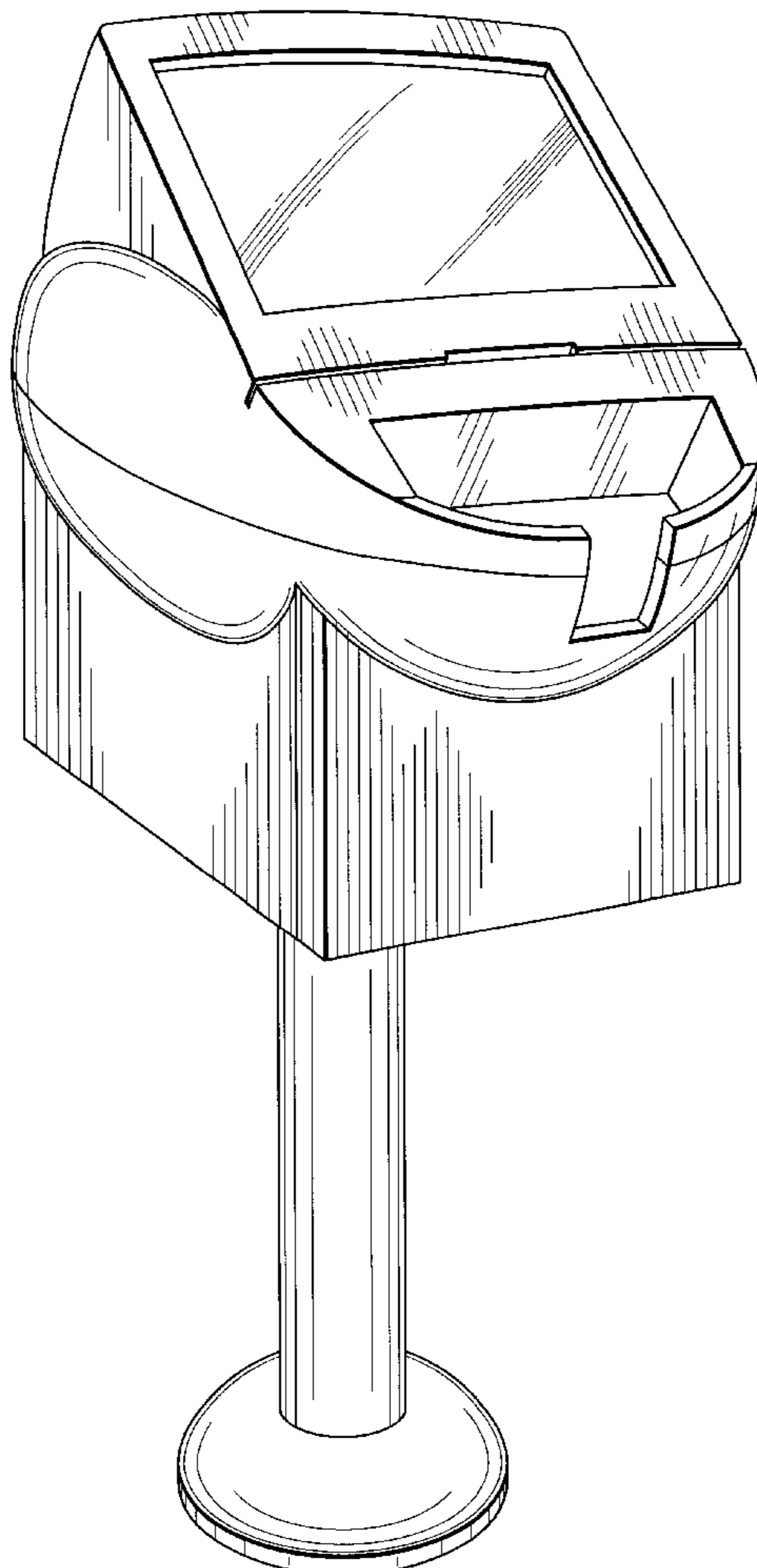


FIG. 1

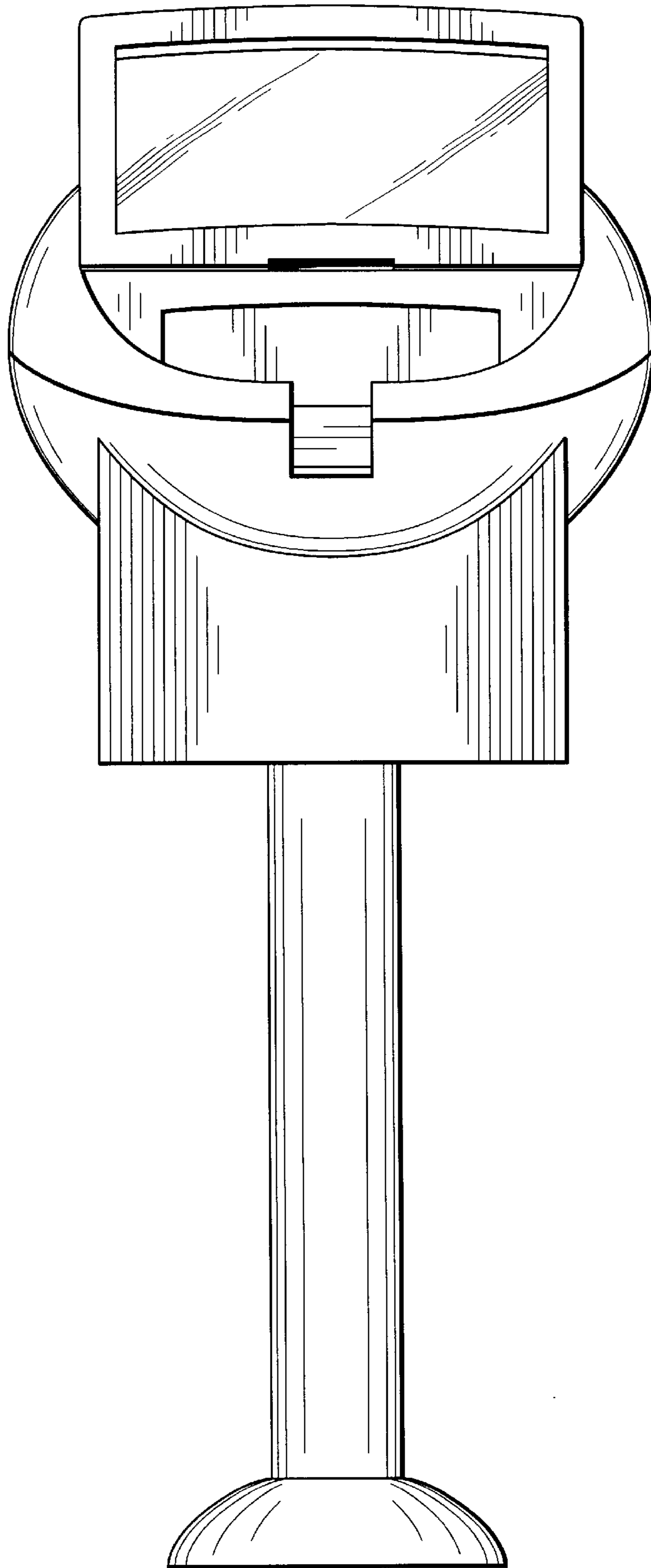


FIG. 2

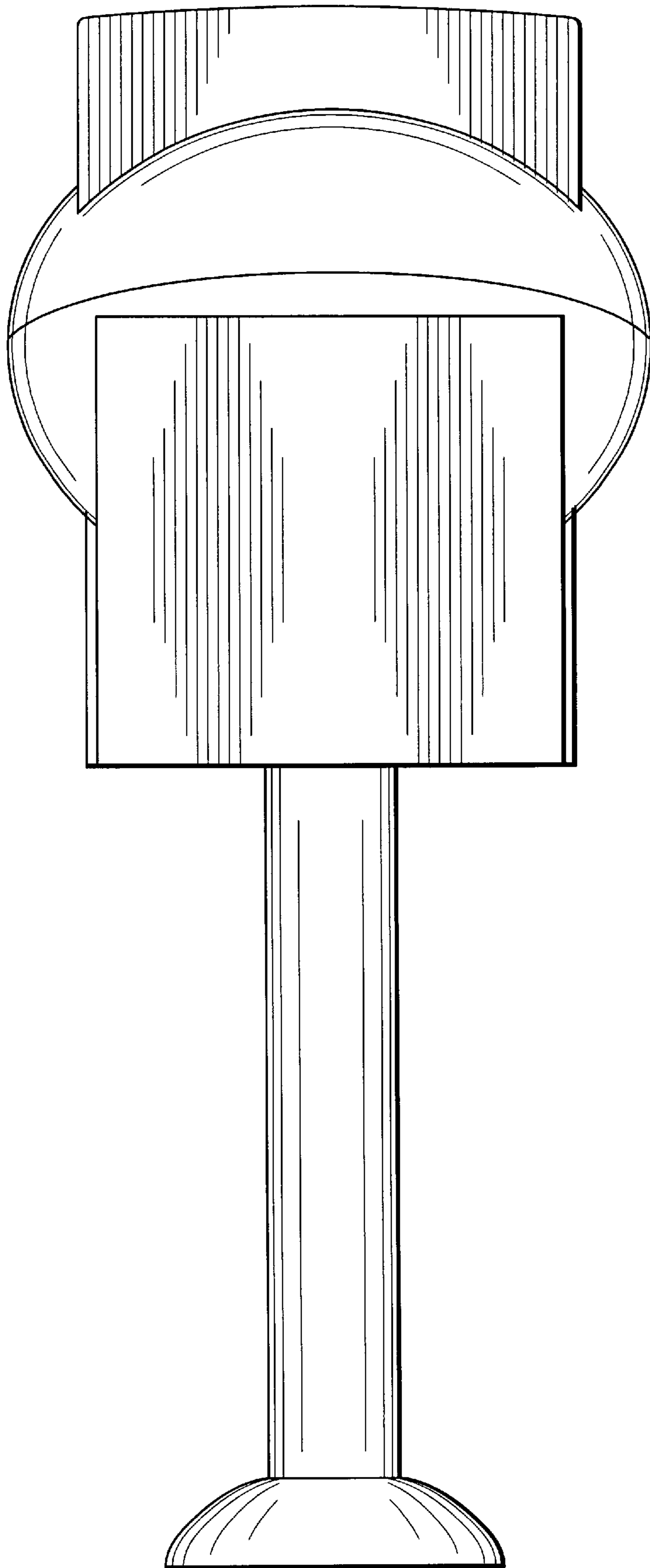


FIG. 3

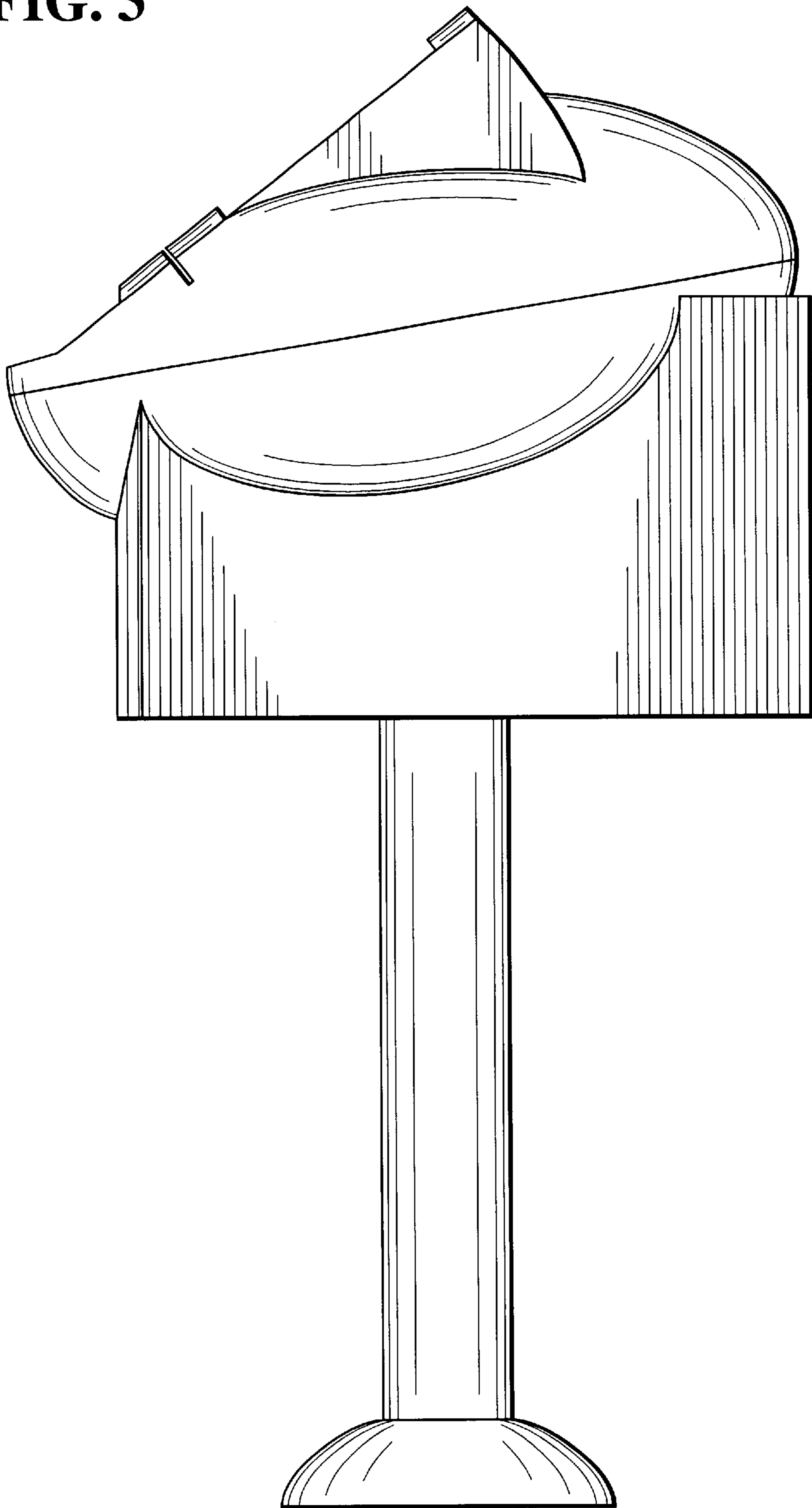


FIG. 4

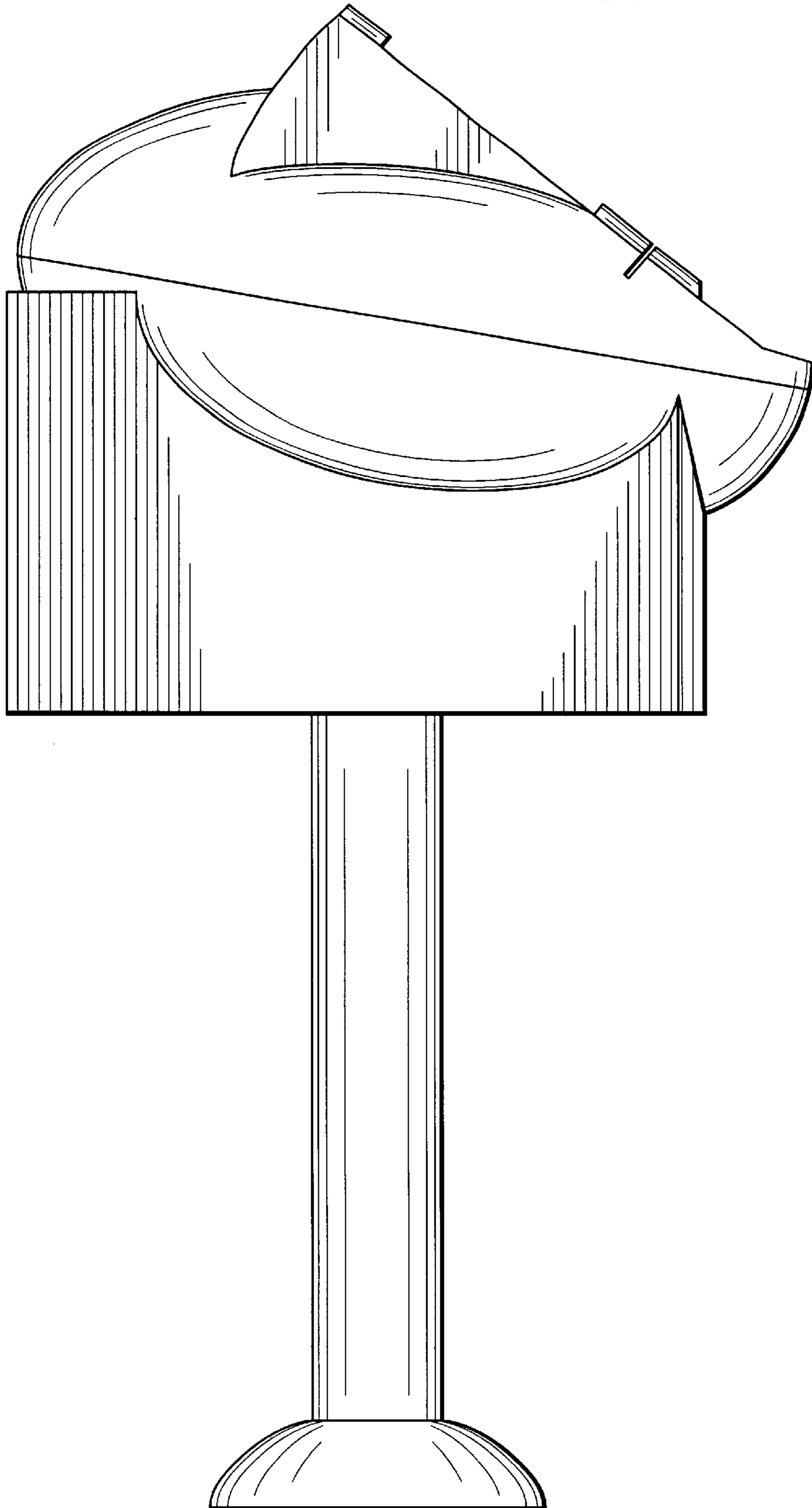


FIG. 5

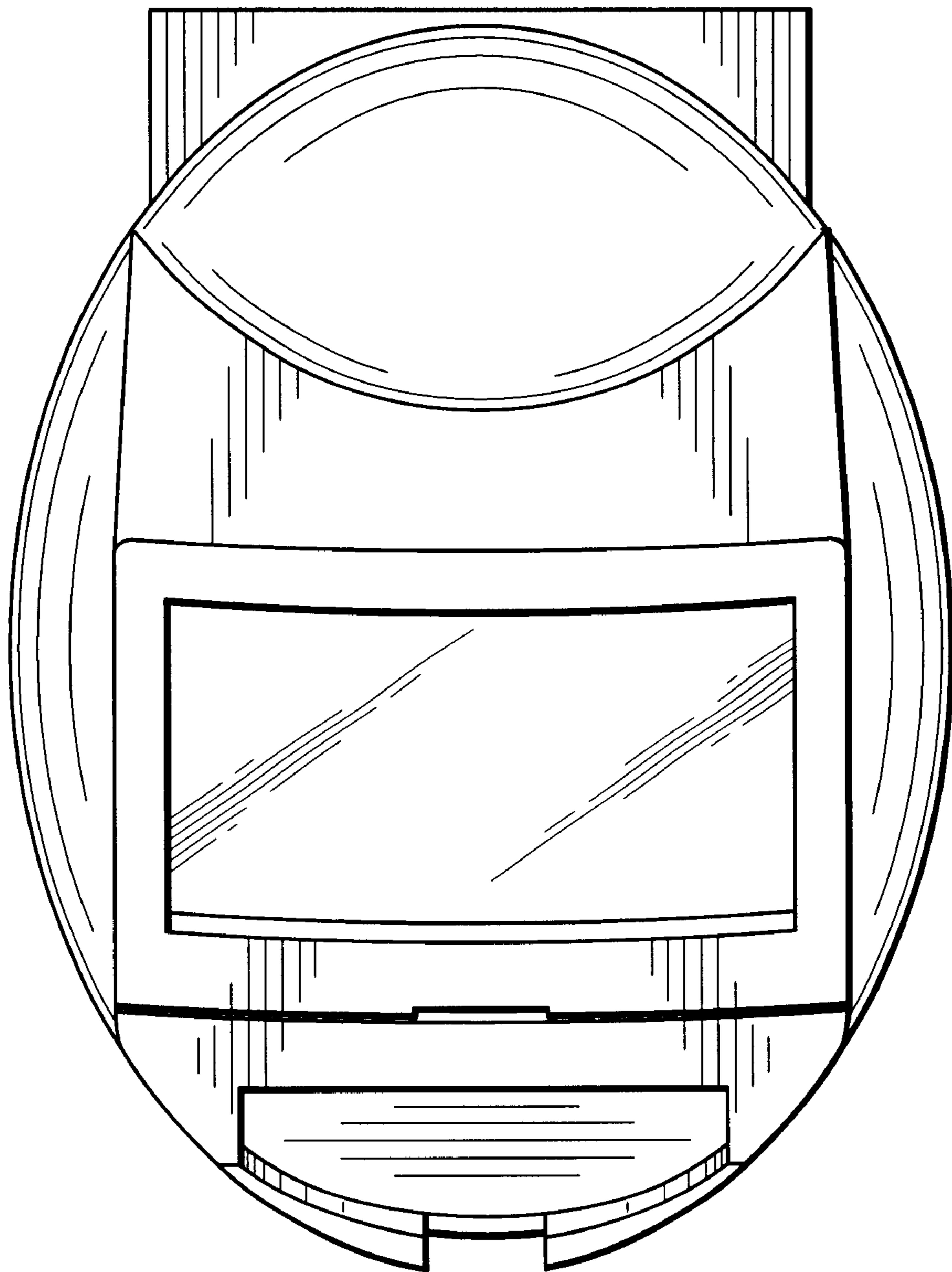


FIG. 6

