



US00D447311B1

(12) **United States Design Patent**  
**Swaine**

(10) **Patent No.:** **US D447,311 S**

(45) **Date of Patent:** **\*\* Aug. 28, 2001**

(54) **SELF SERVICE TERMINAL**

(75) **Inventor:** **Stephen W. Swaine, Auchterarder (GB)**

(73) **Assignee:** **NCR Corporation, Dayton, OH (US)**

(\*\*) **Term:** **14 Years**

(21) **Appl. No.:** **29/124,303**

(22) **Filed:** **Jun. 2, 2000**

(30) **Foreign Application Priority Data**

Dec. 6, 1999 (GB) ..... 2088602

(51) **LOC (7) Cl.** ..... **25-03**

(52) **U.S. Cl.** ..... **D99/28**

(58) **Field of Search** ..... D99/28, 35, 41;  
D20/4; D25/1, 16, 31; 232/43.2; 194/350;  
235/379, 380; 109/1 V, 22, 24.1, 266; 52/79.1,  
79.6

(56) **References Cited**

**U.S. PATENT DOCUMENTS**

D. 278,176 \* 3/1985 Root ..... D99/28

D. 286,098 \* 10/1986 Prinzhorn ..... D99/28

D. 409,351 \* 5/1999 Ha ..... D99/28  
D. 415,571 \* 10/1999 Golowitz ..... D25/1  
D. 427,413 \* 6/2000 Wallace et al. .... D99/35  
D. 434,157 \* 11/2000 Rupp ..... D25/31  
4,558,650 \* 12/1985 Berman ..... 109/24.1  
5,526,615 \* 6/1996 Kaizu et al. .... 52/79.6

\* cited by examiner

*Primary Examiner*—Paula A. Mortimer

(57) **CLAIM**

The ornamental design for a self service terminal, as shown and described.

**DESCRIPTION**

FIG. 1 is a front view of a self service terminal showing my new design;  
FIG. 2 is a rear view thereof;  
FIG. 3 is a side view, taken from the right side of FIG. 1;  
FIG. 4 is a side view, taken from the left side of FIG. 1;  
FIG. 5 is a top plan view thereof;  
FIG. 6 is a right front perspective view from FIG. 1; and,  
FIG. 7 is a left rear perspective view from FIG. 2.

**1 Claim, 7 Drawing Sheets**

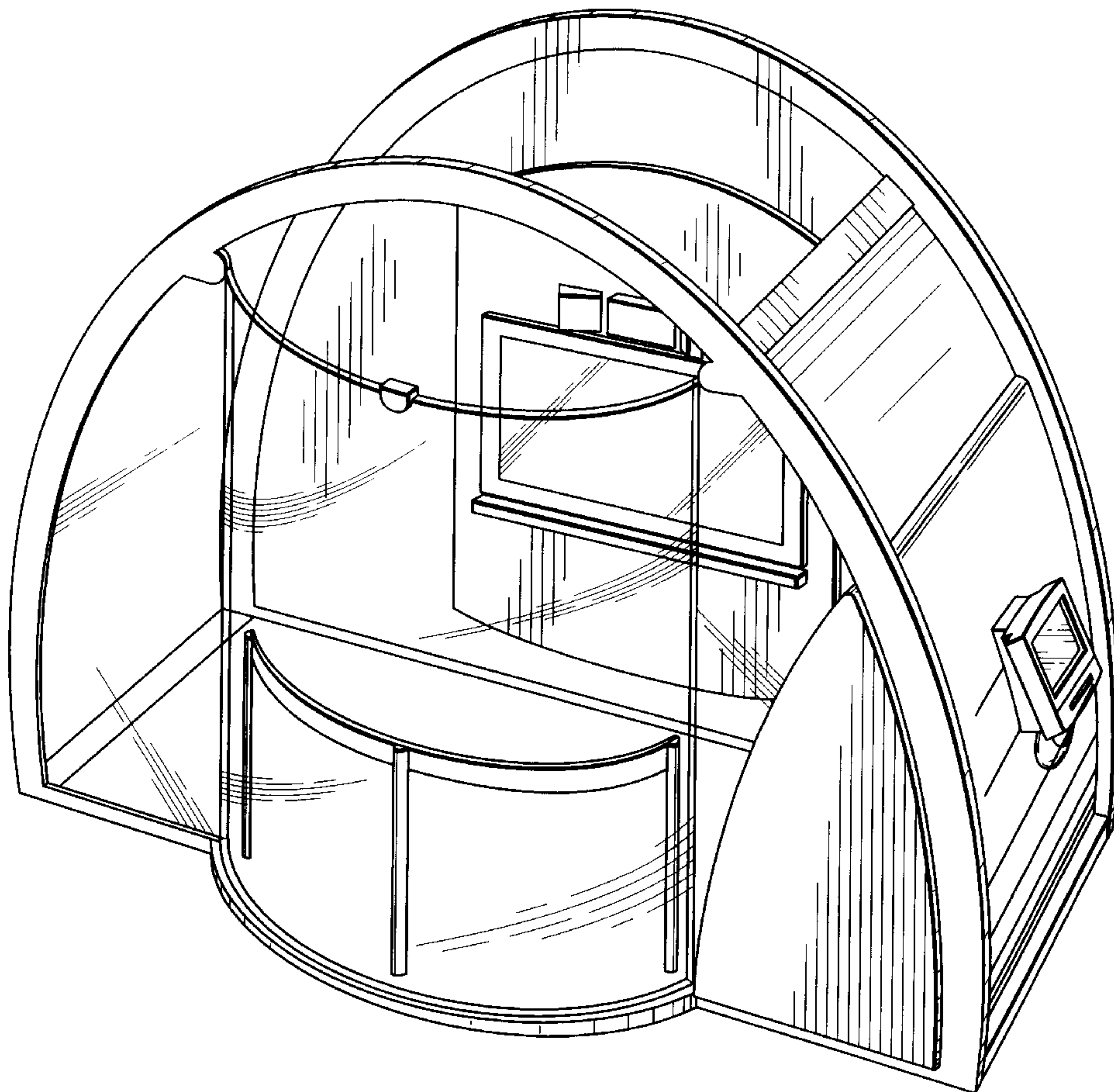


FIG. 1

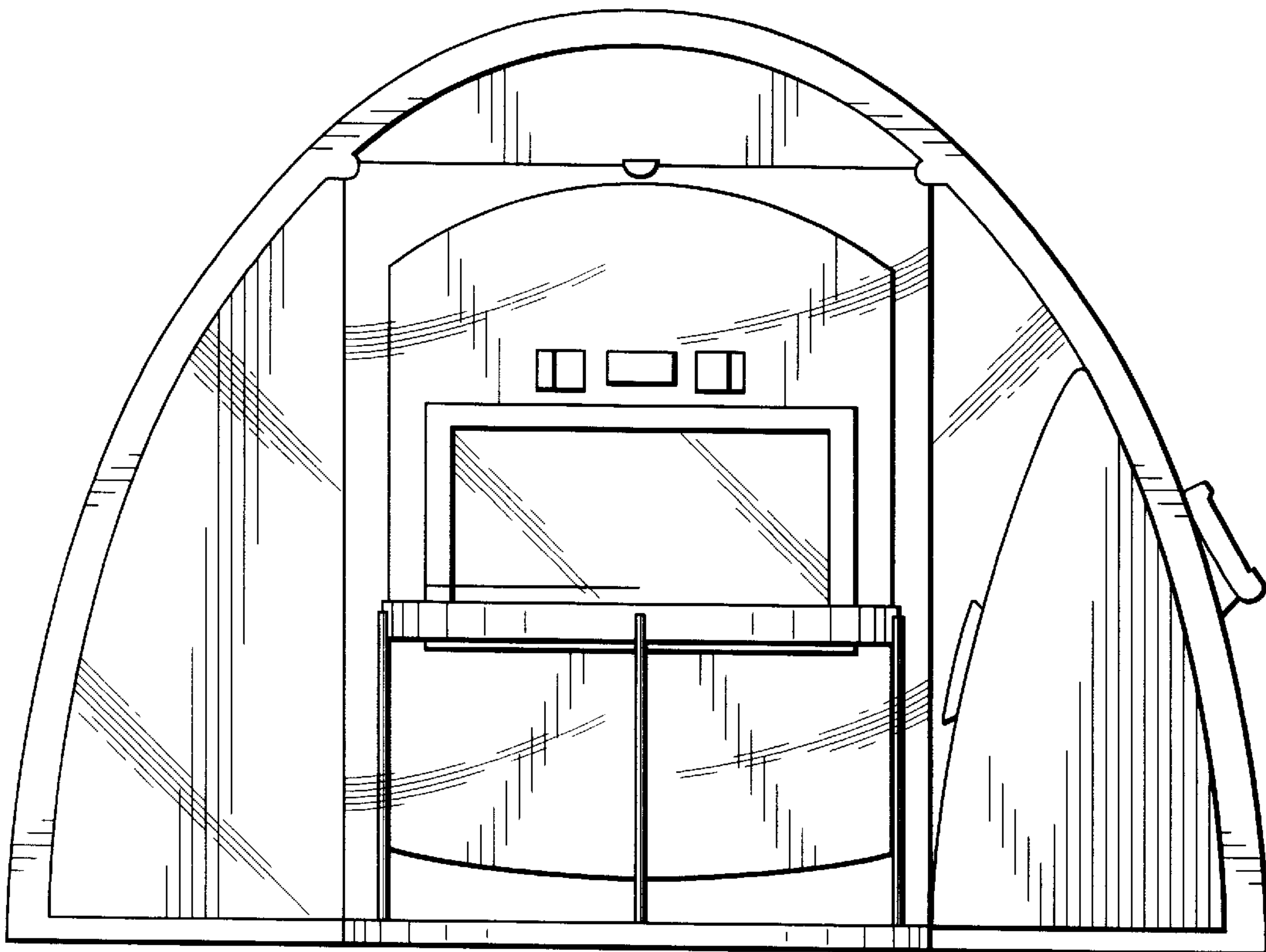


FIG. 2

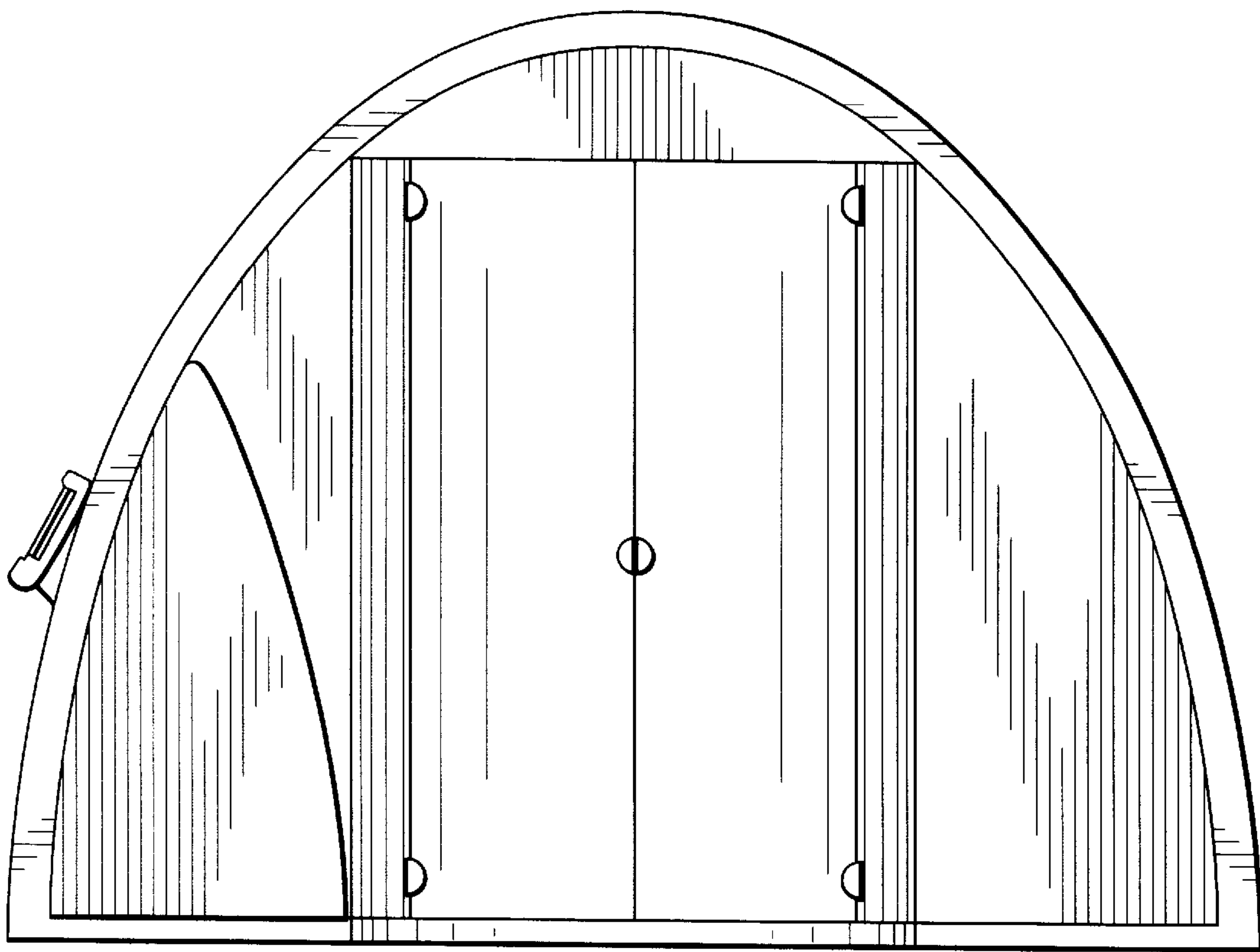


FIG. 3

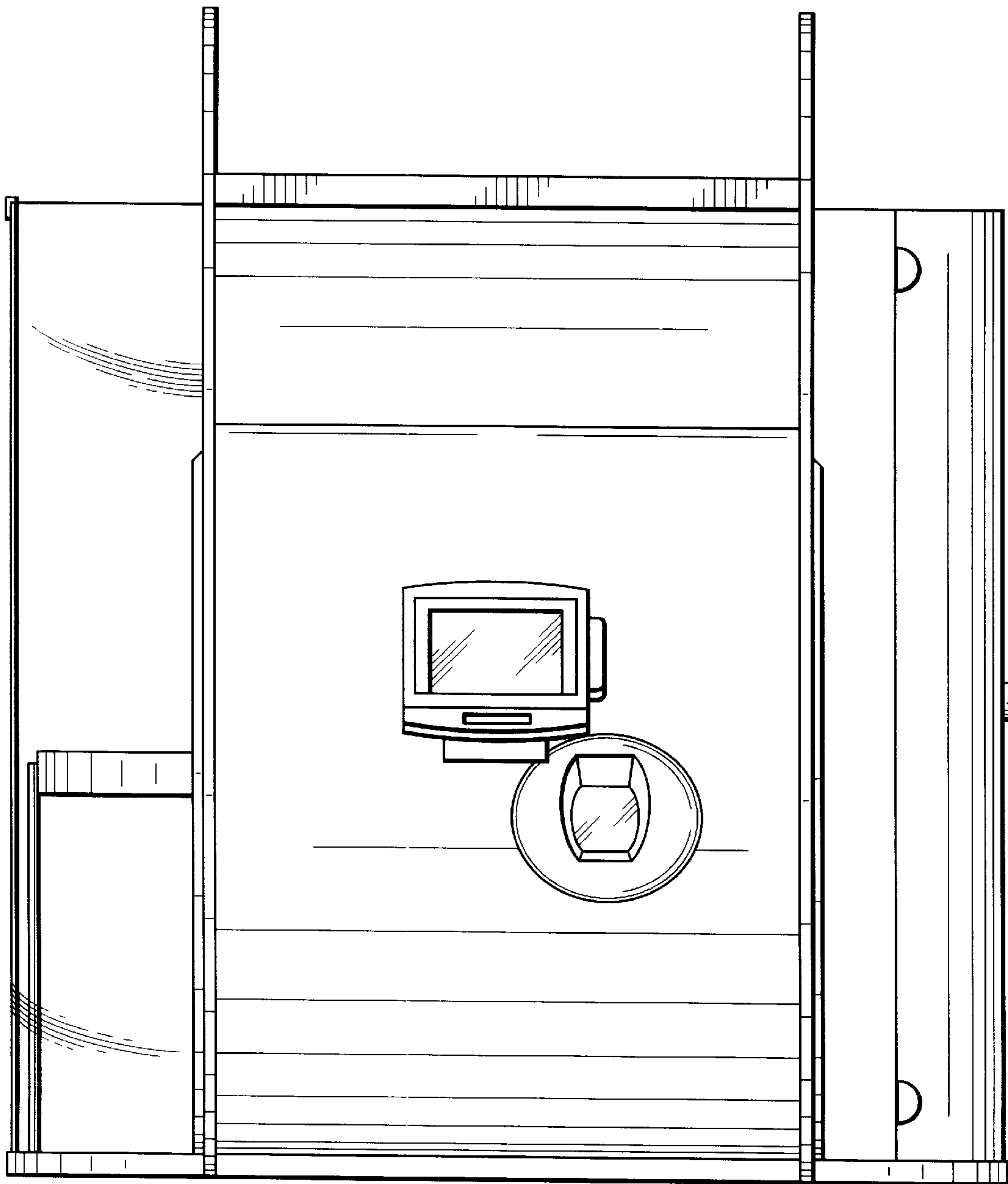


FIG. 4

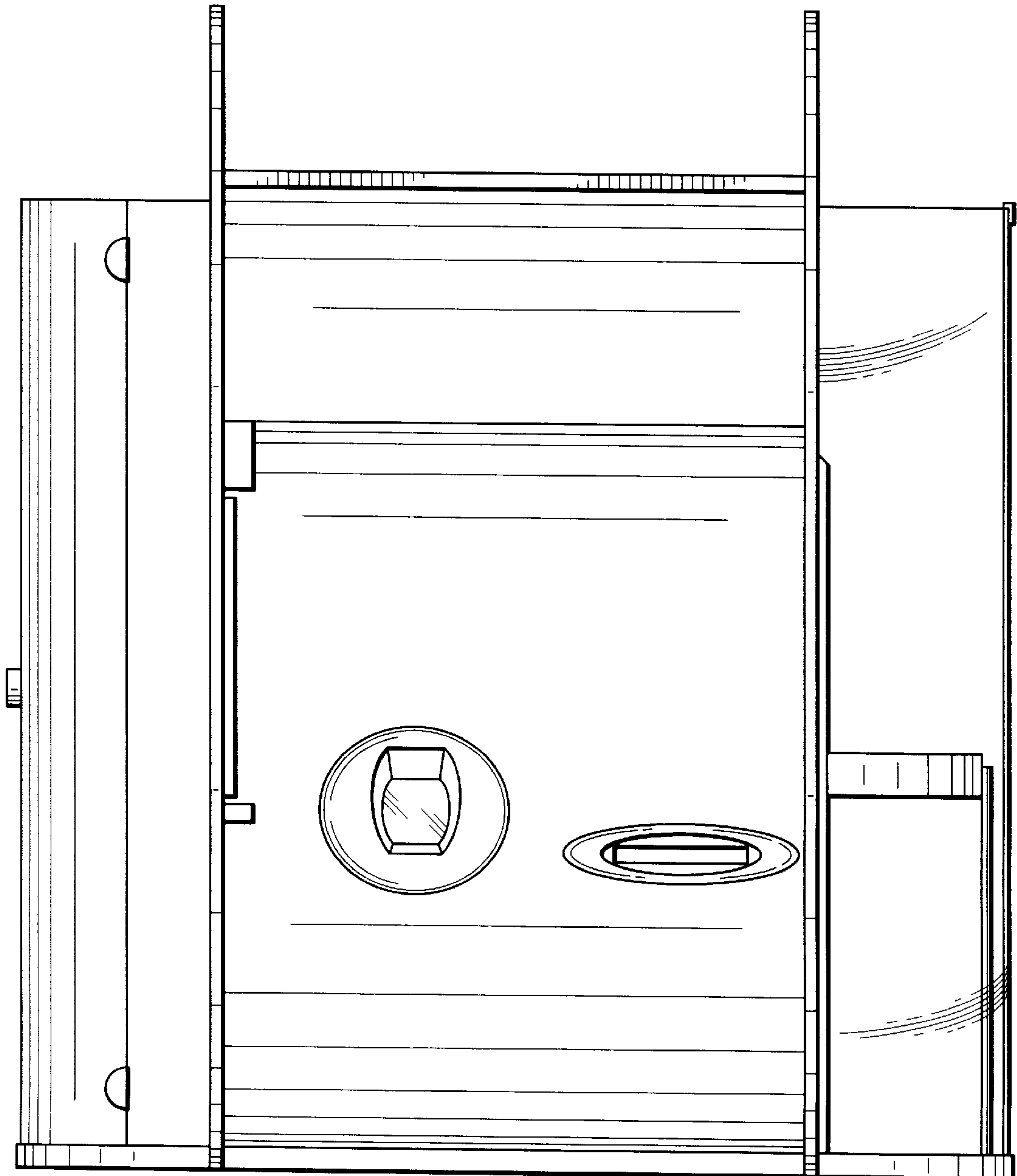
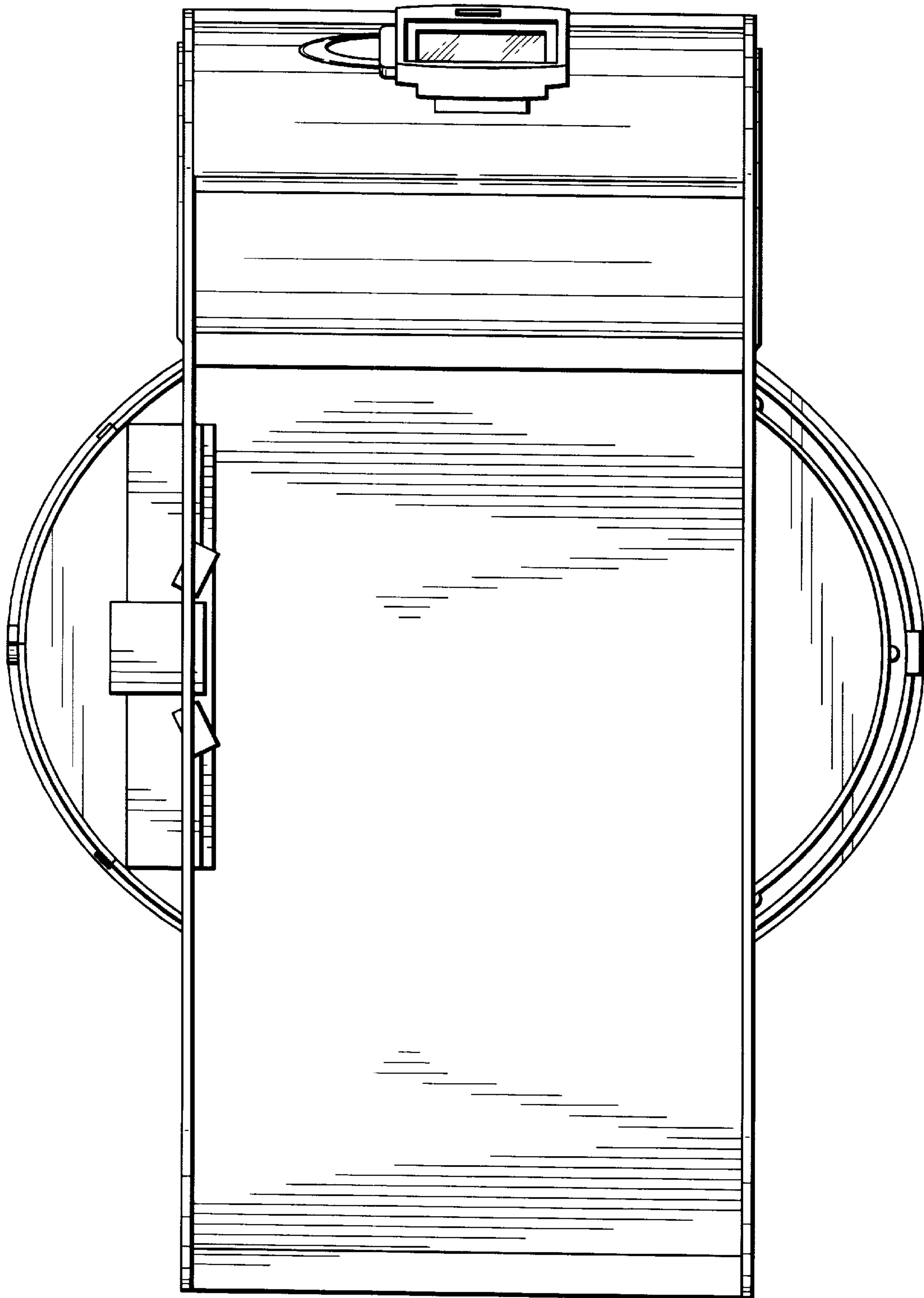


FIG. 5





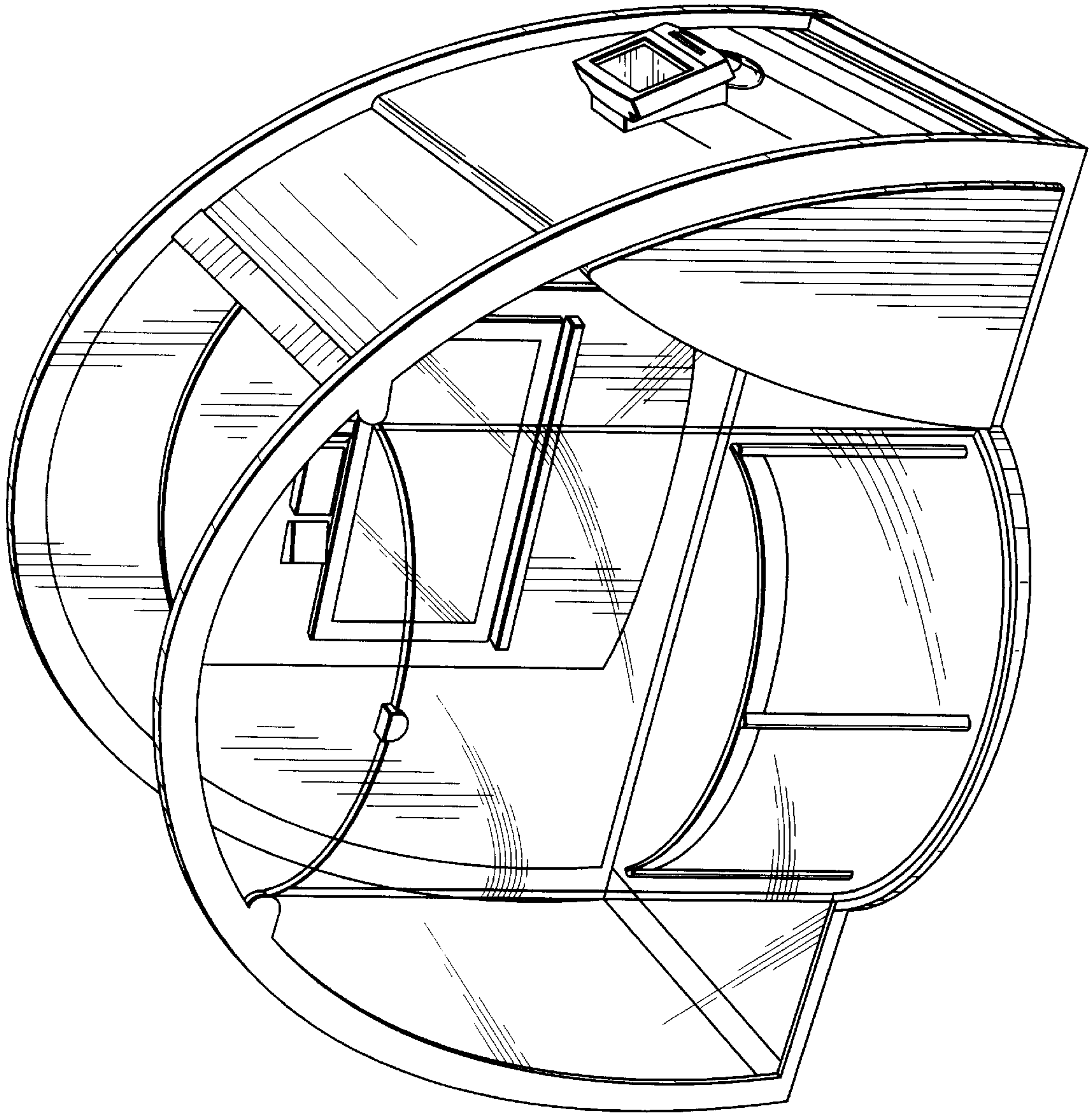


FIG. 6

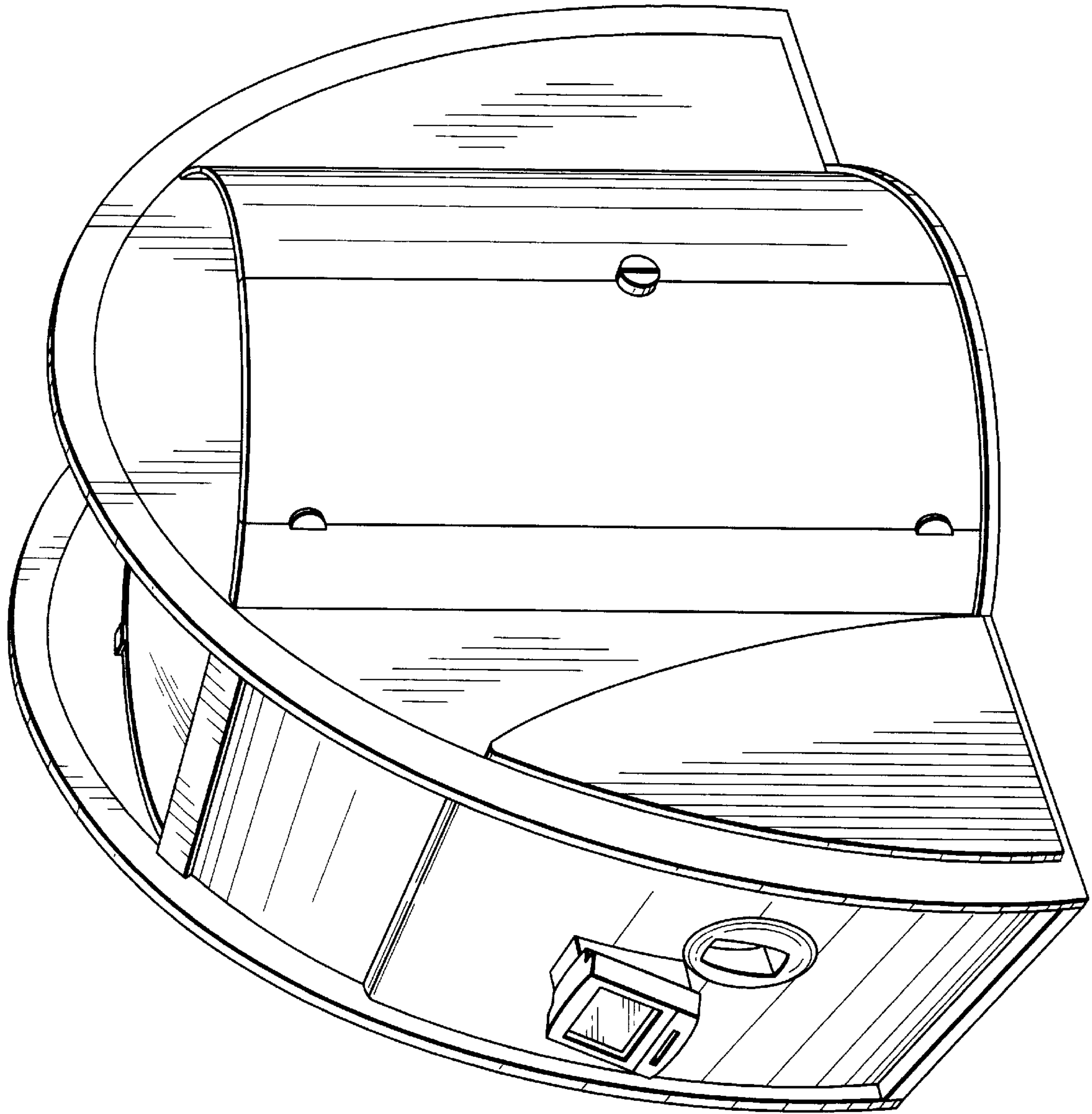


FIG. 7