



US00D447308B1

(12) **United States Design Patent**
Lin

(10) **Patent No.:** **US D447,308 S**

(45) **Date of Patent:** **** Aug. 28, 2001**

(54) **GARBAGE CAN**

(76) Inventor: **Tsong-Yow Lin**, 58, Ma Yuan West St.,
Taichung (TW)

(**) Term: **14 Years**

(21) Appl. No.: **29/127,994**

(22) Filed: **Aug. 14, 2000**

(51) **LOC (7) Cl.** **09-09**

(52) **U.S. Cl.** **D34/9; D34/7**

(58) **Field of Search** D34/1, 7, 8, 9,
D34/10; D32/37; 232/43.2, 1 B, 1 E; 220/675,
913, 908, 262, 263

1,966,323	*	7/1934	Von Elm	220/908
2,170,604	*	8/1939	Creesy et al.	220/908
2,195,033	*	3/1940	Lehman	220/262
2,216,279	*	10/1940	Packer	220/913
2,242,698	*	5/1941	Evitt	220/263
2,246,975	*	6/1941	Geibel	220/908
2,308,398	*	1/1943	Stevens	220/262
2,311,835	*	2/1943	Johnson	232/43.2
2,904,210	*	9/1959	Grossman	220/43.2
2,907,491	*	10/1959	Gunn	220/908
2,910,206	*	10/1959	Hodgson	220/263
4,473,170	*	9/1984	Ciancimino	220/675
5,350,079	*	9/1994	Larson et al.	220/908

* cited by examiner

Primary Examiner—Cynthia E. Ramirez

(56) **References Cited**

U.S. PATENT DOCUMENTS

D. 145,970	*	11/1946	Bllimfield	D34/1
D. 147,646	*	10/1947	Footlik	D34/1
D. 151,986	*	12/1948	Hamilton	D34/1
D. 187,305	*	2/1960	Loominster	D34/7
D. 191,546	*	10/1961	Garner	D34/7
D. 256,423	*	8/1980	BacsKay et al.	D32/37
D. 261,720	*	11/1981	Brazis	D34/9
D. 319,905	*	9/1991	Hotchkiss	D34/9
D. 332,852	*	1/1993	Delmerico	D34/9
D. 343,486	*	1/1994	Kimport	D34/1.1
D. 431,700	*	10/2000	Roudebush	D32/37
D. 431,702	*	10/2000	McKeown et al.	D34/1
D. 435,951	*	1/2001	Yang et al.	D34/9

(57) **CLAIM**

The ornamental design for a garbage can, as shown and described.

DESCRIPTION

FIG. 1 is a perspective view of a garbage can showing my new design;

FIG. 2 is a front elevational view thereof;

FIG. 3 is a rear elevational view thereof;

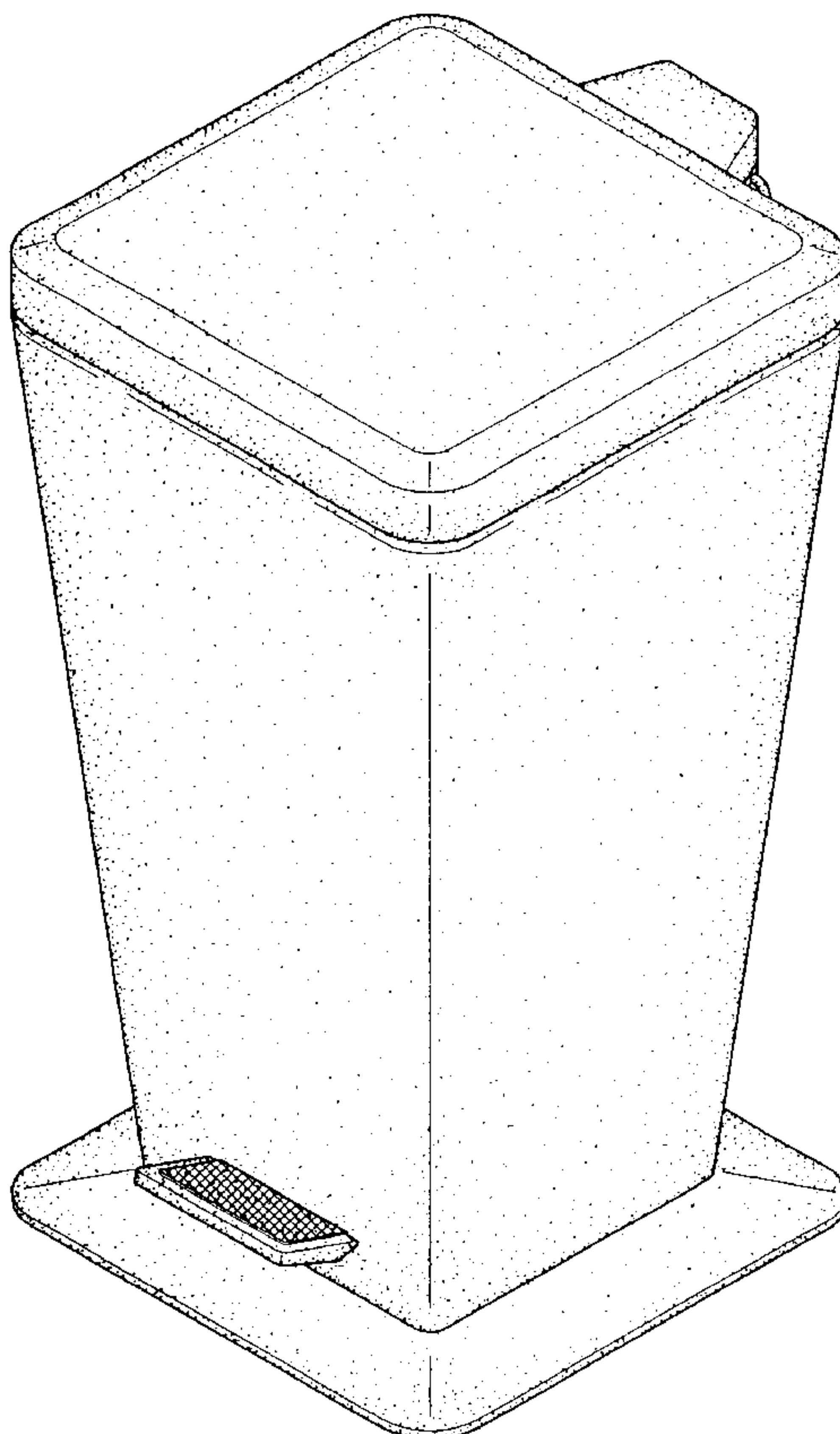
FIG. 4 is a left side elevational view thereof.

FIG. 5 is a right side elevational view thereof;

FIG. 6 is a top plan view thereof; and,

FIG. 7 is a bottom plan view thereof.

1 Claim, 7 Drawing Sheets



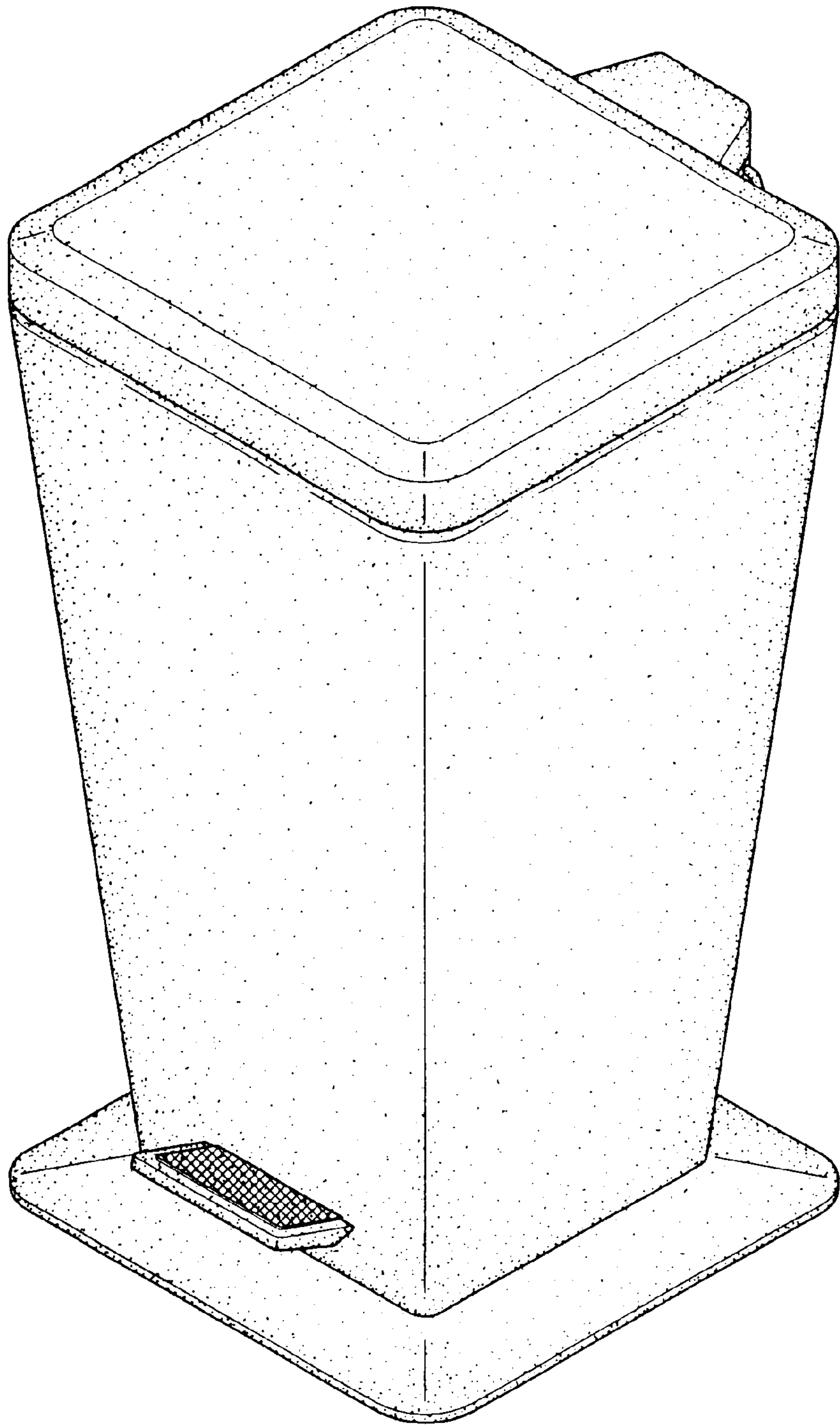


FIG. 1

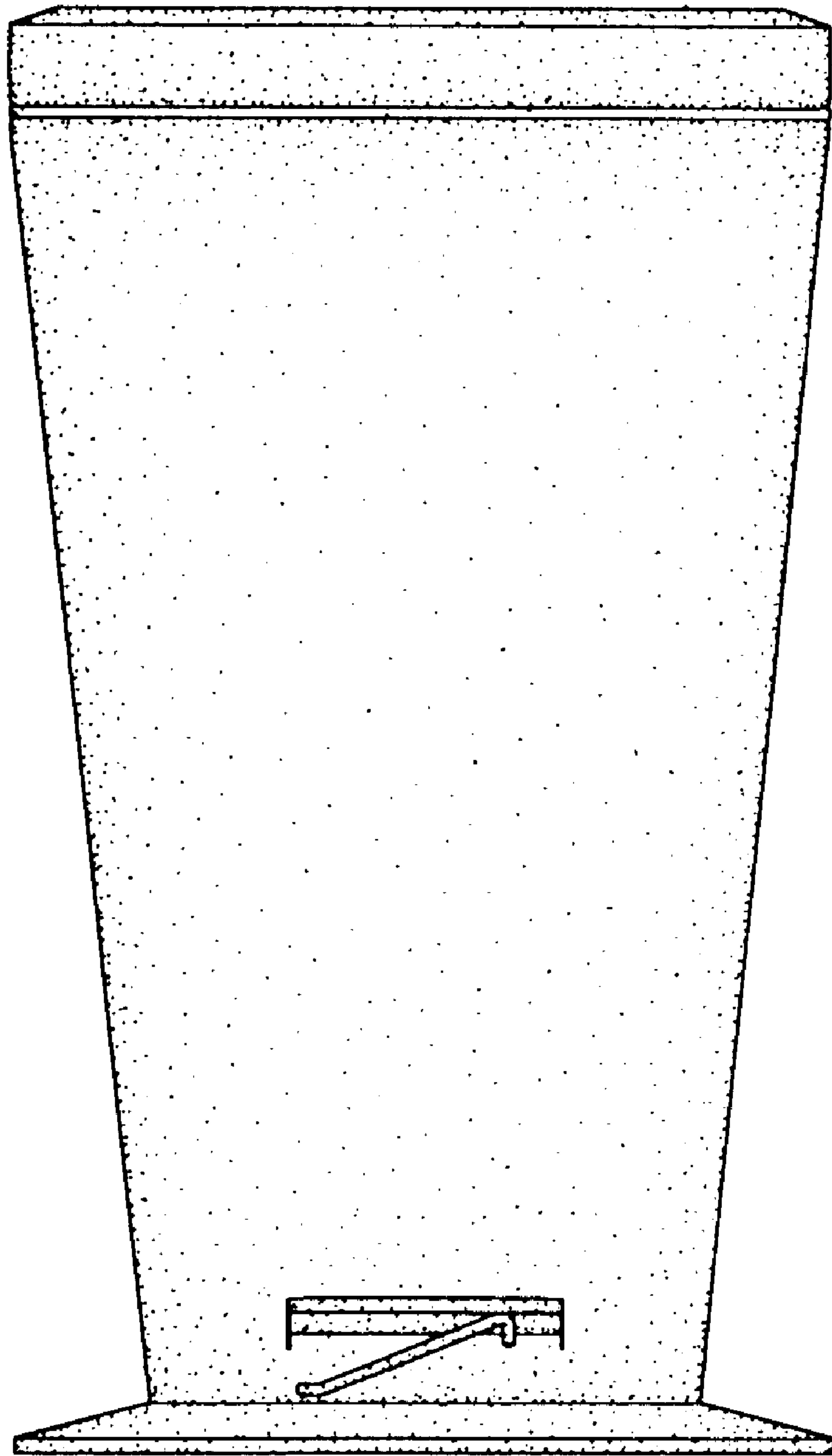


FIG. 2

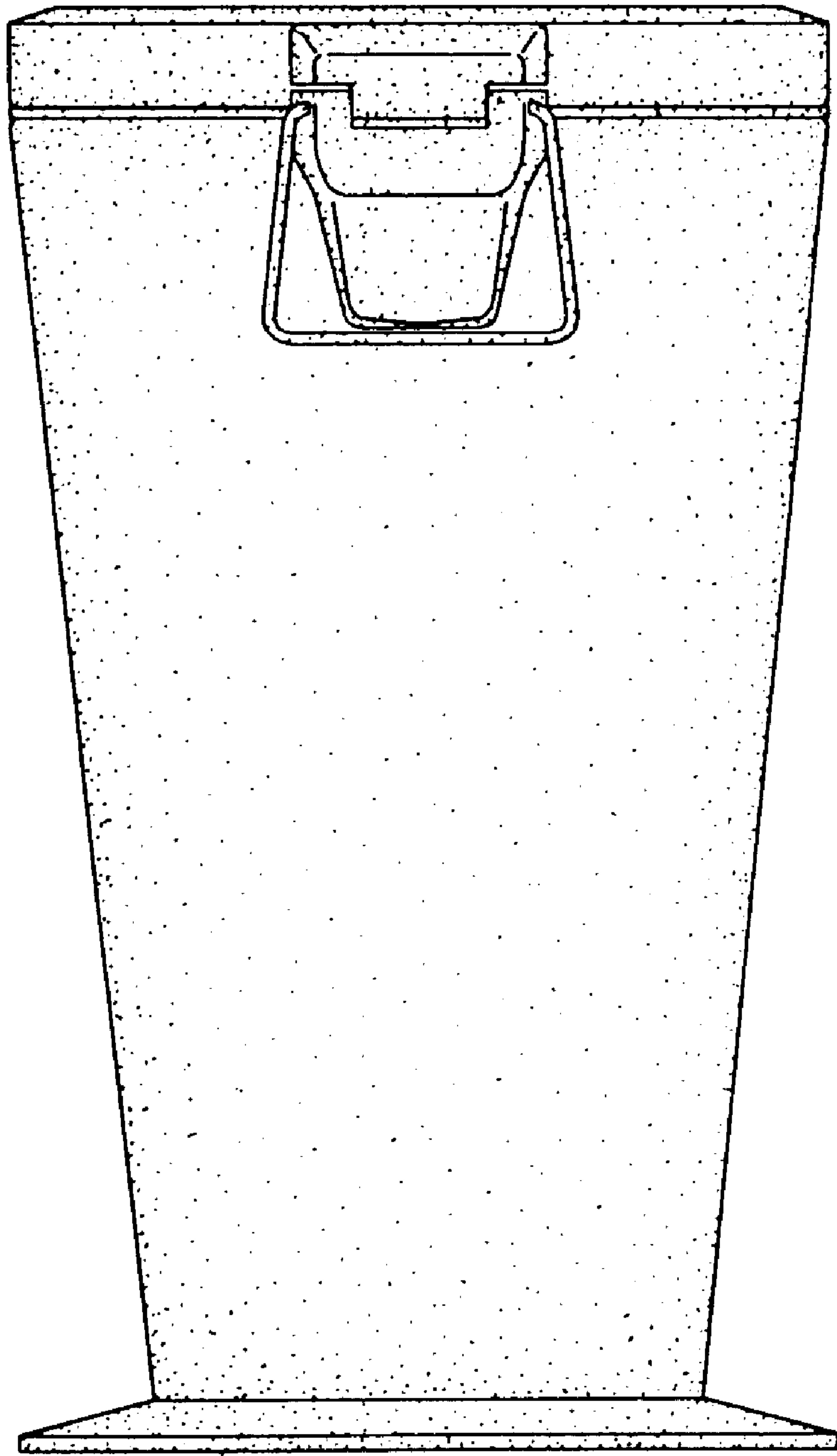


FIG. 3

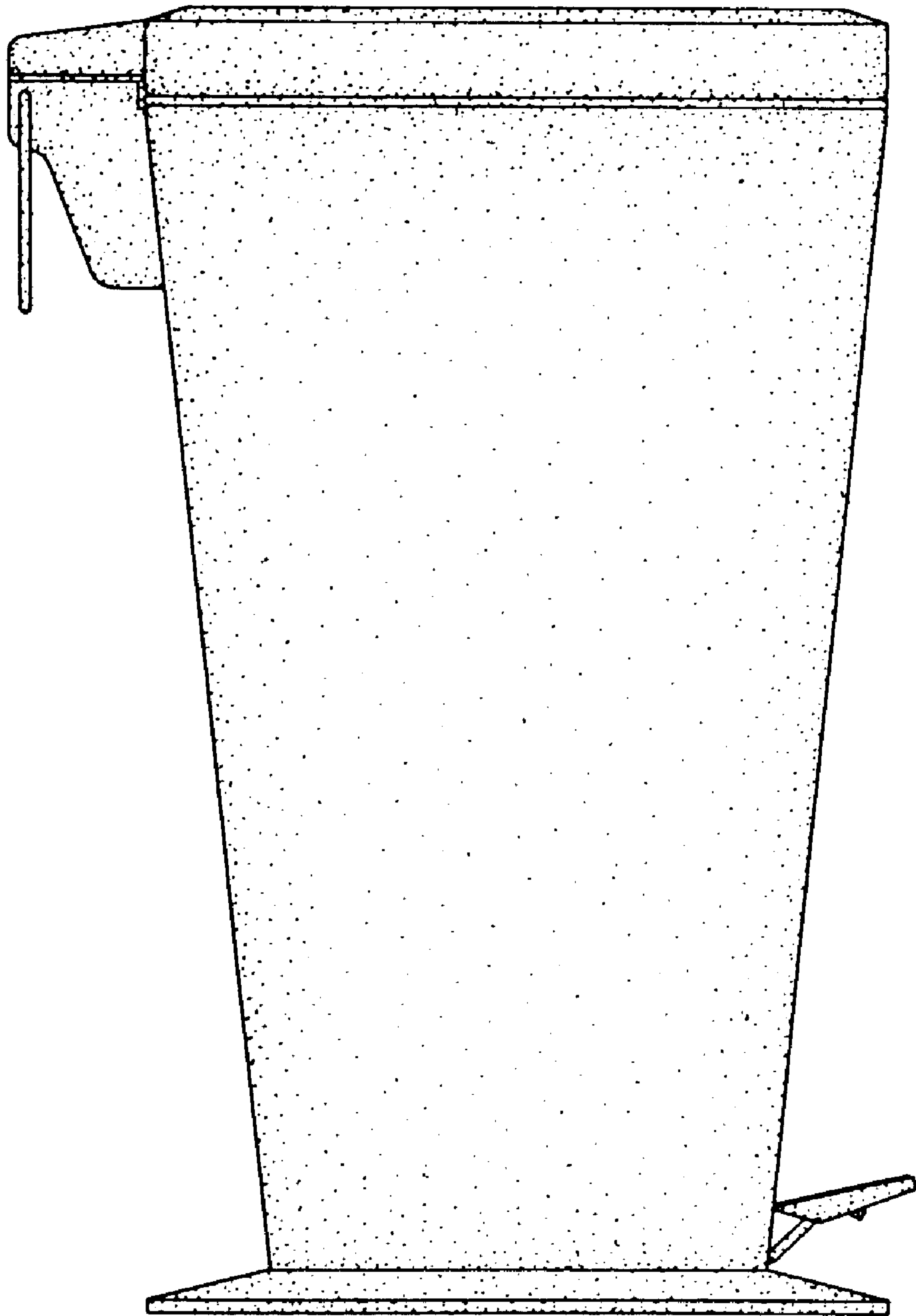


FIG. 4

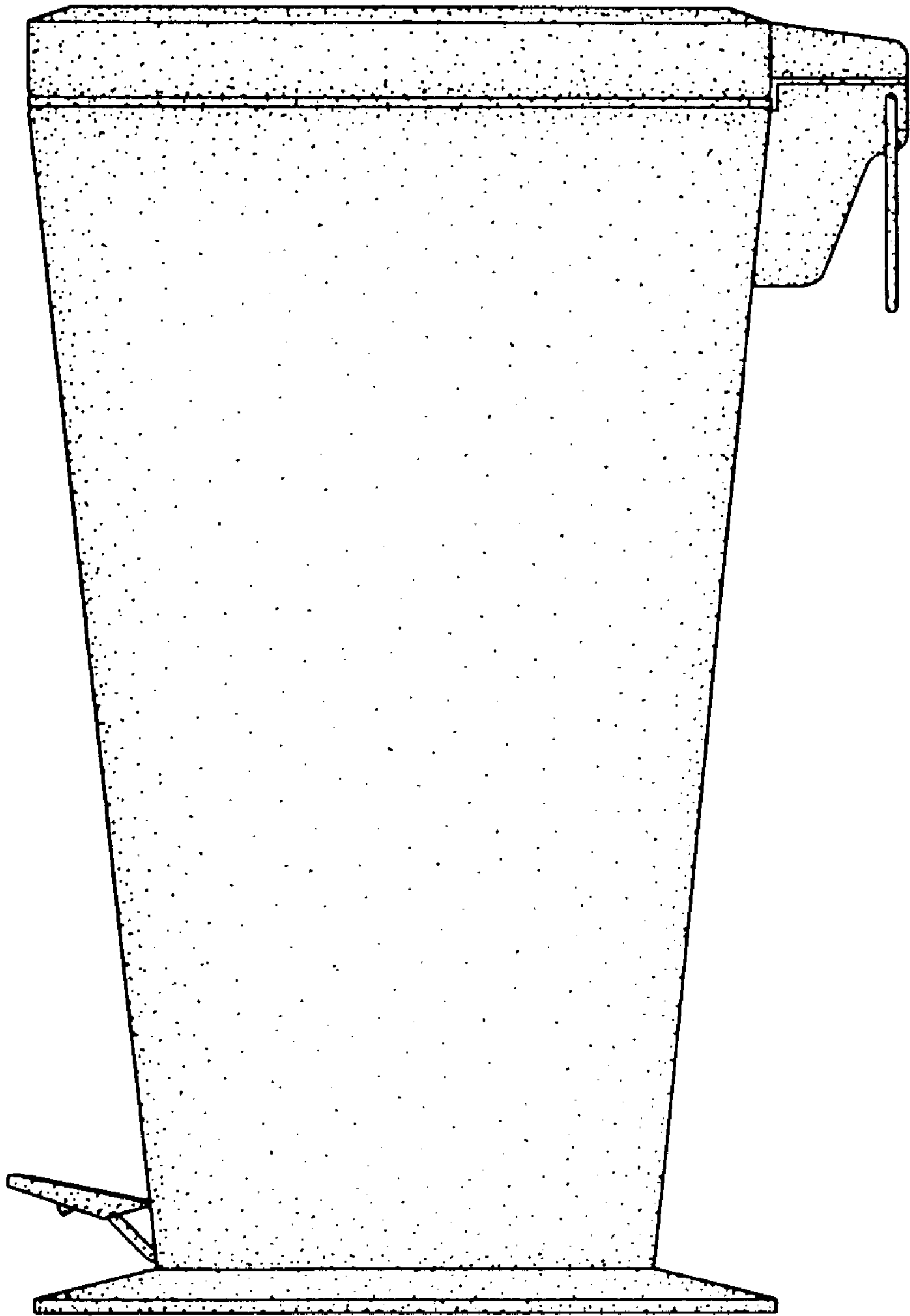


FIG. 5

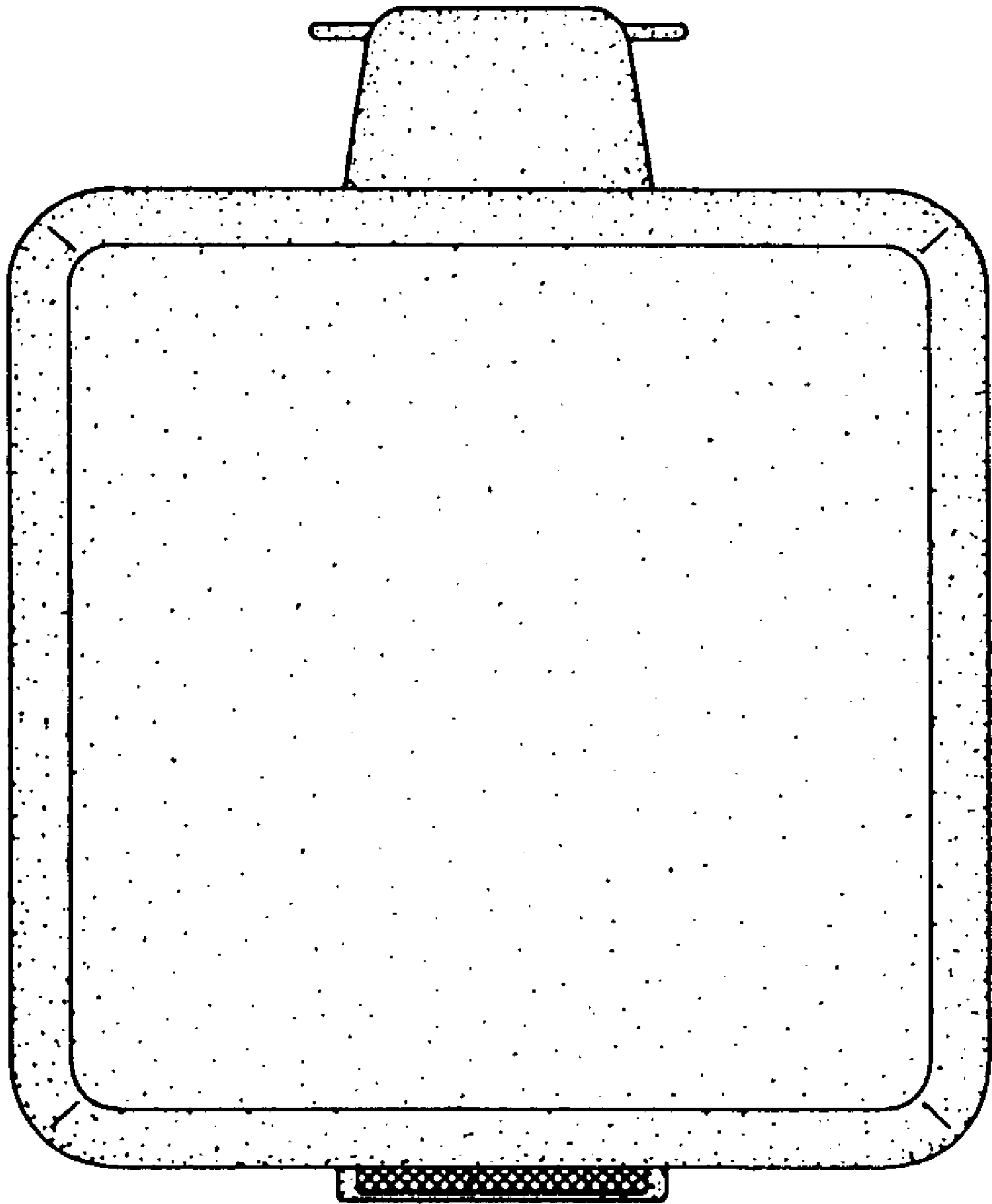


FIG. 6

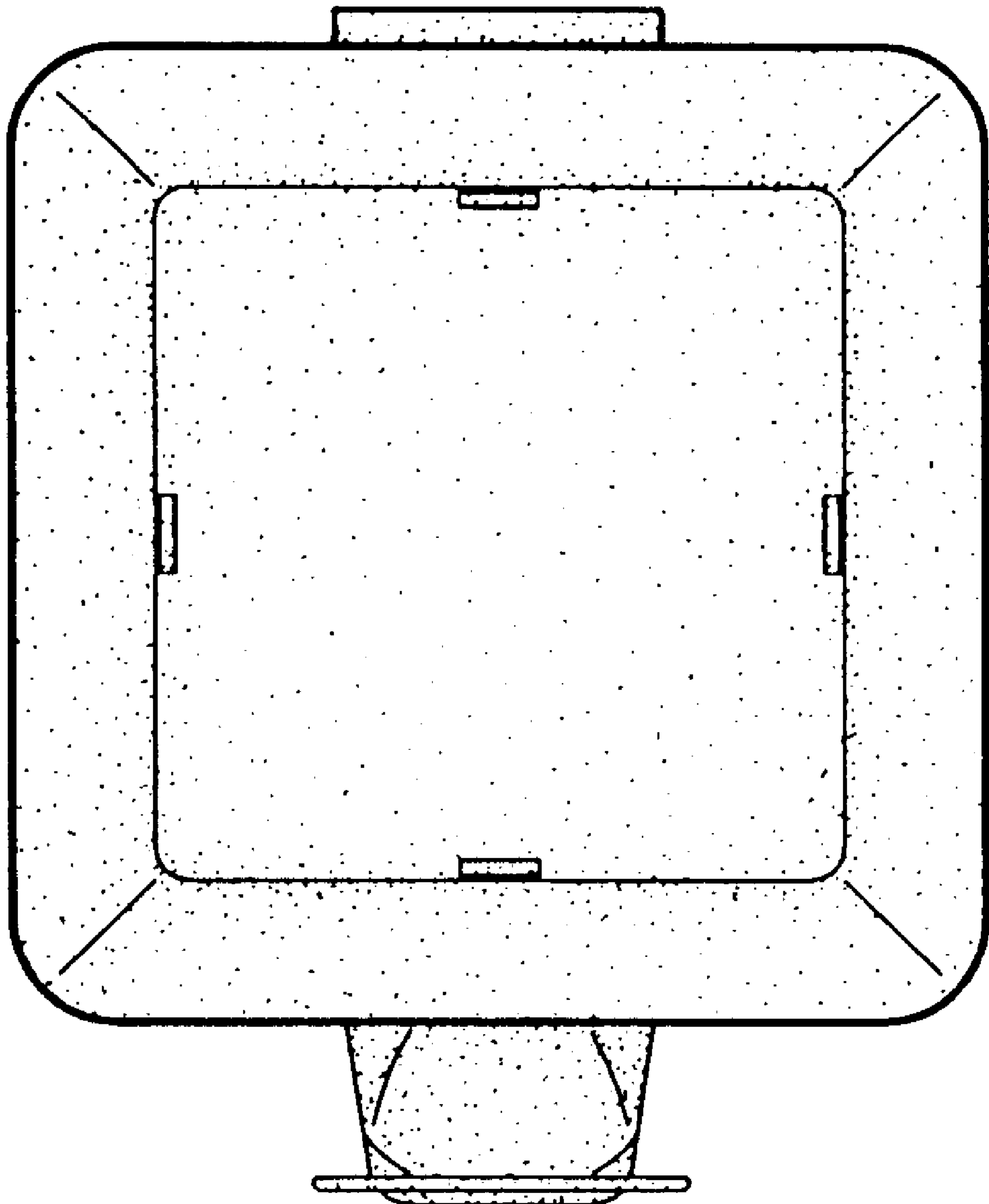


FIG. 7