



US00D447301B1

(12) **United States Design Patent**  
**Adair et al.**

(10) **Patent No.:** **US D447,301 S**

(45) **Date of Patent:** **\*\* Aug. 28, 2001**

(54) **WINDOW CLEANING DEVICE**

(75) Inventors: **Edward W. Adair; George T. Mallory;**  
**William F. Mallory**, all of Blenheim  
(CA)

(73) Assignee: **Mallory Industries, Inc.**, Blenheim  
(CA)

(\*\*) Term: **14 Years**

(21) Appl. No.: **29/118,032**

(22) Filed: **Feb. 3, 2000**

(51) **LOC (7) Cl.** ..... **07-05**

(52) **U.S. Cl.** ..... **D32/41; D32/42**

(58) **Field of Search** ..... D32/40-42, 49;  
15/105, 111, 117, 118, 121, 244.1, 245,  
143.1, 236.02

(56) **References Cited**

**U.S. PATENT DOCUMENTS**

D. 235,410	*	6/1975	Epstein	.....	D32/41
D. 345,639	*	3/1994	Pollak et al.	.....	D32/42
2,904,806	*	9/1959	Obergfell	.....	15/105
3,724,017	*	4/1973	Mallory	.....	15/121
3,847,151	*	11/1974	D'Alessandro et al.	.....	15/244.1 X
5,343,586	*	9/1994	Vosbikian	.....	15/121
5,371,914		12/1994	Mallory et al.	.....	15/121
5,448,793		9/1995	Mallory et al.	.....	15/232

**OTHER PUBLICATIONS**

Mallory Industries Inc., "Mallory Winter Beaters" WB99.

Mallory Industries Inc., "Mallory Winter Beaters" 98.

\* cited by examiner

*Primary Examiner*—Alan P. Douglas

*Assistant Examiner*—Lavone Tabor

(74) *Attorney, Agent, or Firm*—Senniger, Powers, Leavitt  
& Roedel

(57) **CLAIM**

The ornamental design for a window cleaning device, as shown and described.

**DESCRIPTION**

FIG. 1 is a rear, left side perspective view of a first embodiment of the design;

FIG. 2 is a top plan view of the first embodiment of the design;

FIG. 3 is a left side view of the first embodiment of the design;

FIG. 4 is a bottom plan view of the first embodiment of the design;

FIG. 5 is a rear elevational view of the first embodiment of the design;

FIG. 6 is a front elevational view of the first embodiment of the design;

FIG. 7 is a rear, left side perspective view of a second embodiment of the design;

FIG. 8 is a top plan view of the second embodiment of the design;

FIG. 9 is a left side view of the second embodiment of the design;

FIG. 10 is a bottom plan view of the second embodiment of the design;

FIG. 11 is a rear elevational view of the second embodiment of the design;

FIG. 12 is a front elevational view of the second embodiment of the design;

FIG. 13 is a rear, left side perspective view of a third embodiment of the design;

FIG. 14 is a top plan view of the third embodiment of the design;

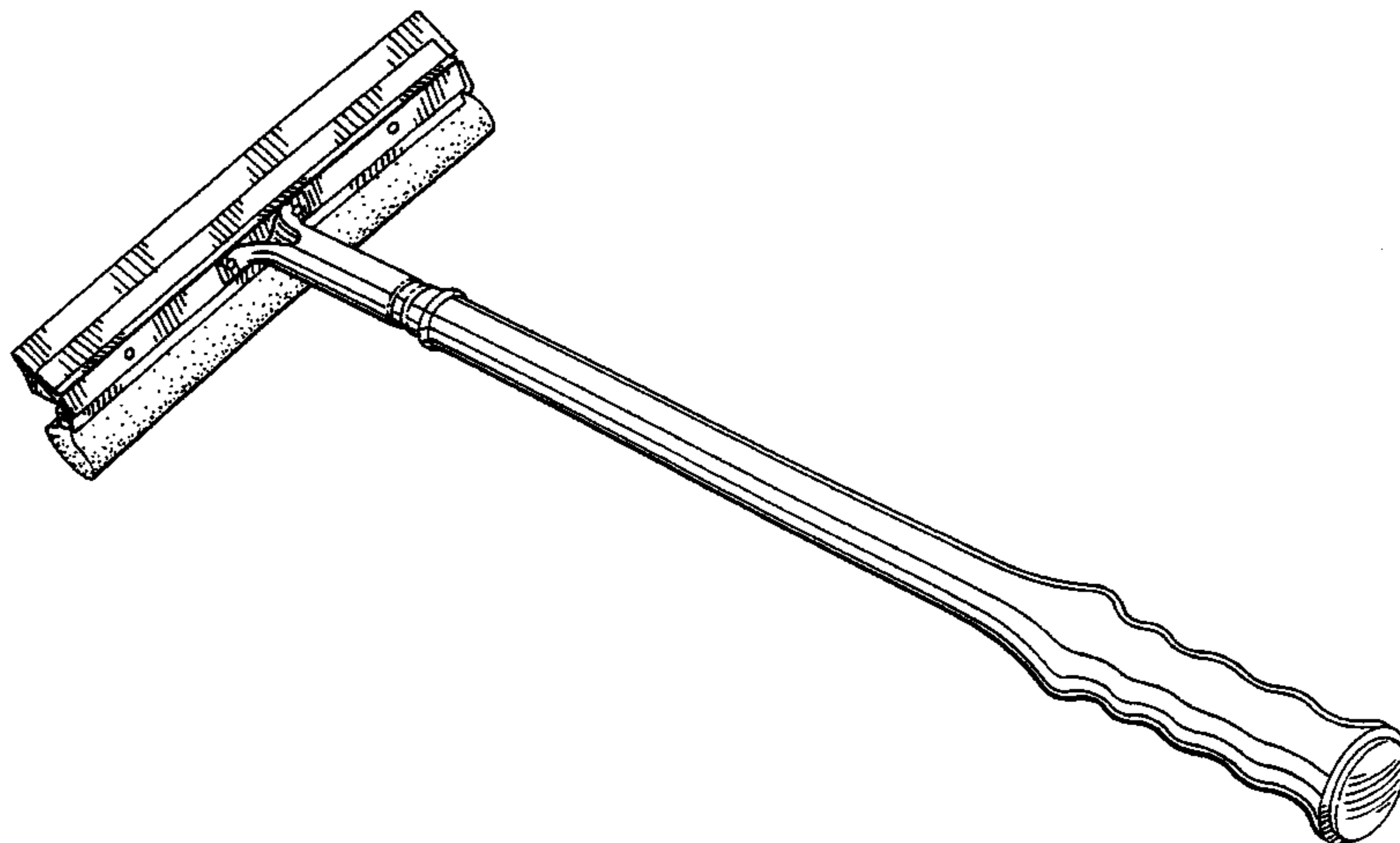
FIG. 15 is a left side view of the third embodiment of the design;

FIG. 16 is a bottom plan view of the third embodiment of the design;

FIG. 17 is a rear elevational view of the third embodiment of the design; and,

FIG. 18 is a front elevational view of the third embodiment of the design.

**1 Claim, 9 Drawing Sheets**



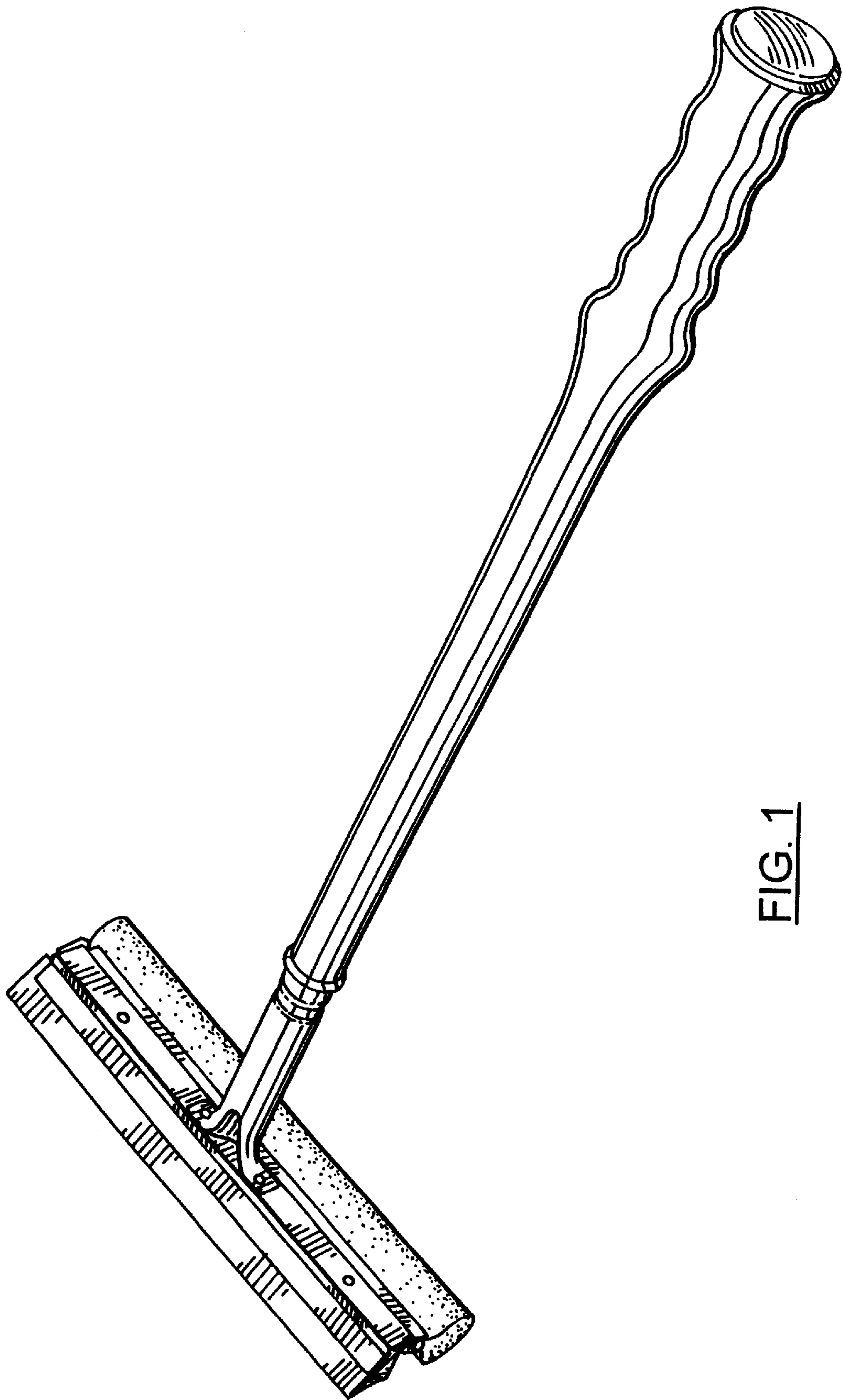
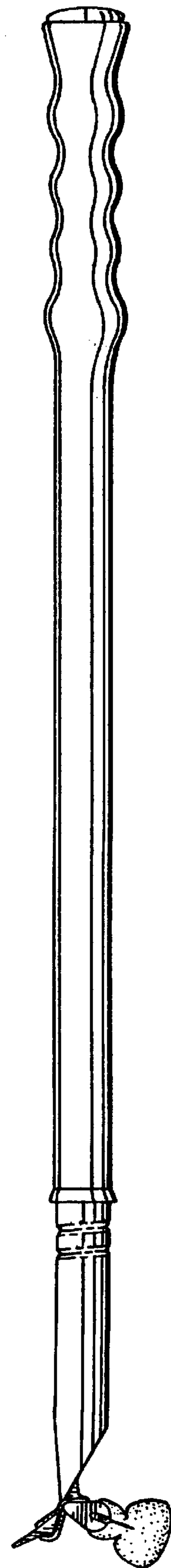
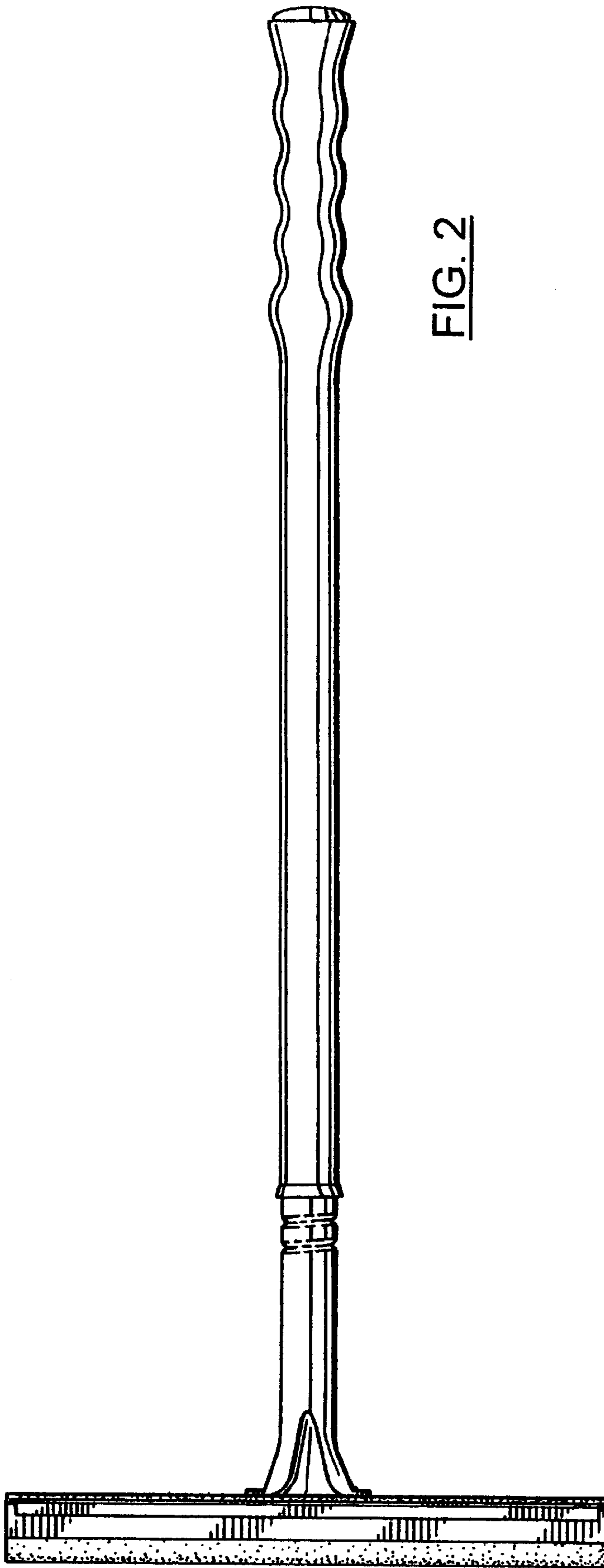


FIG. 1



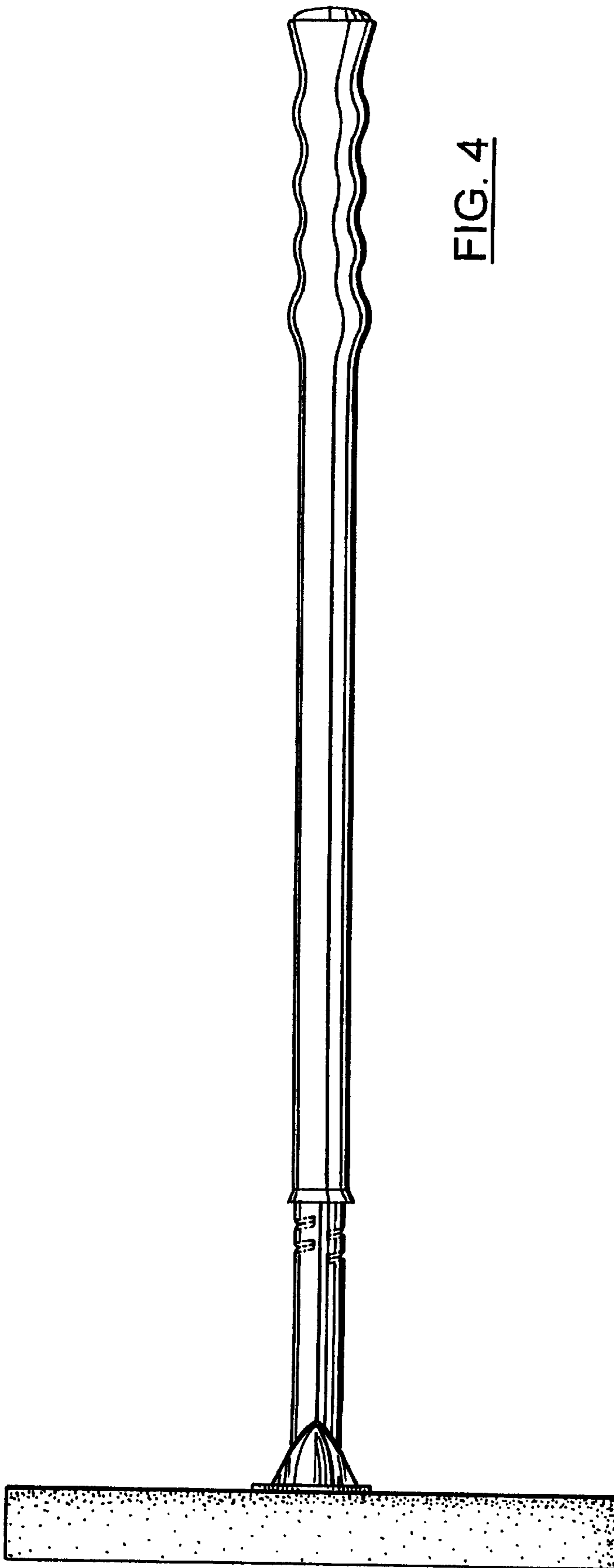


FIG. 4

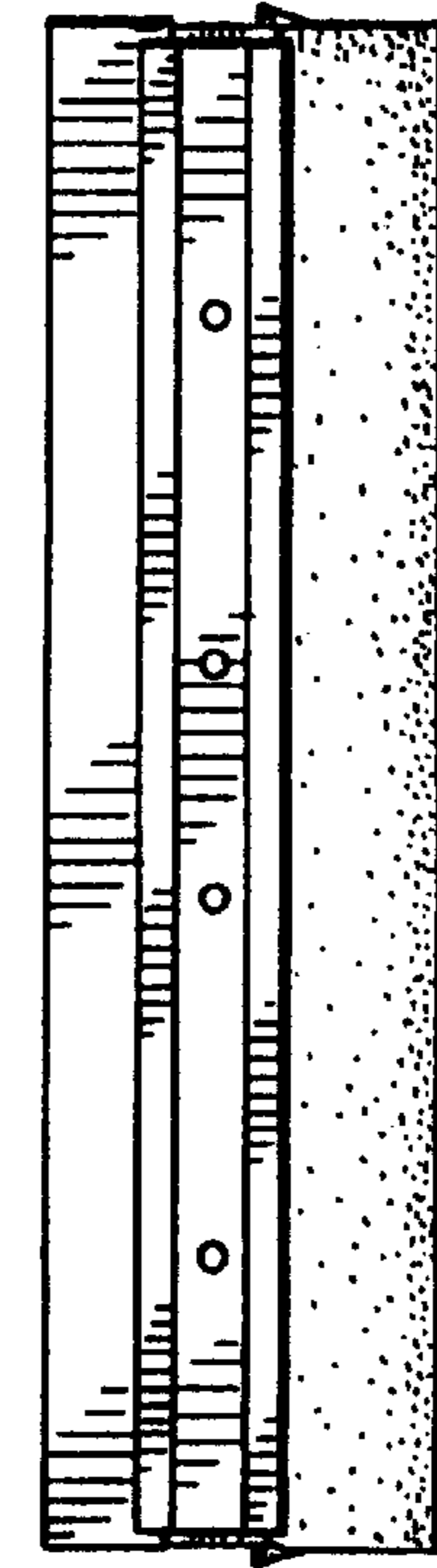


FIG. 6

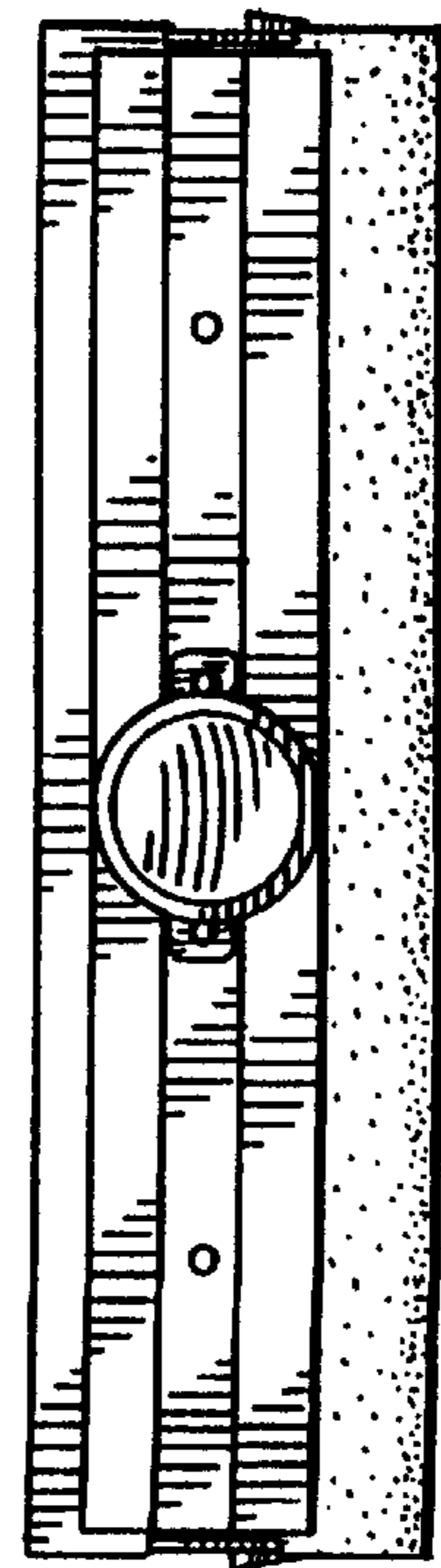


FIG. 5

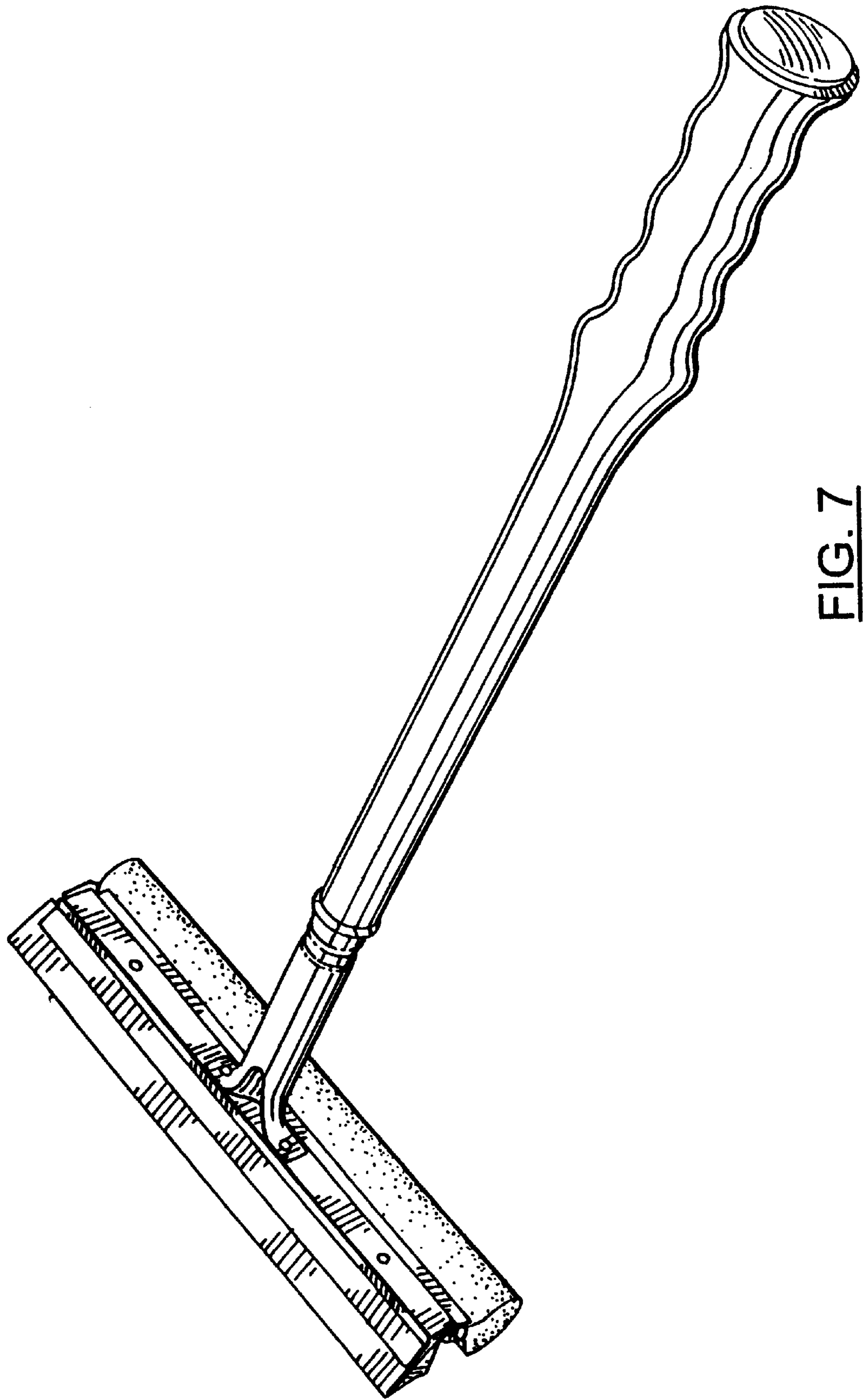


FIG. 7

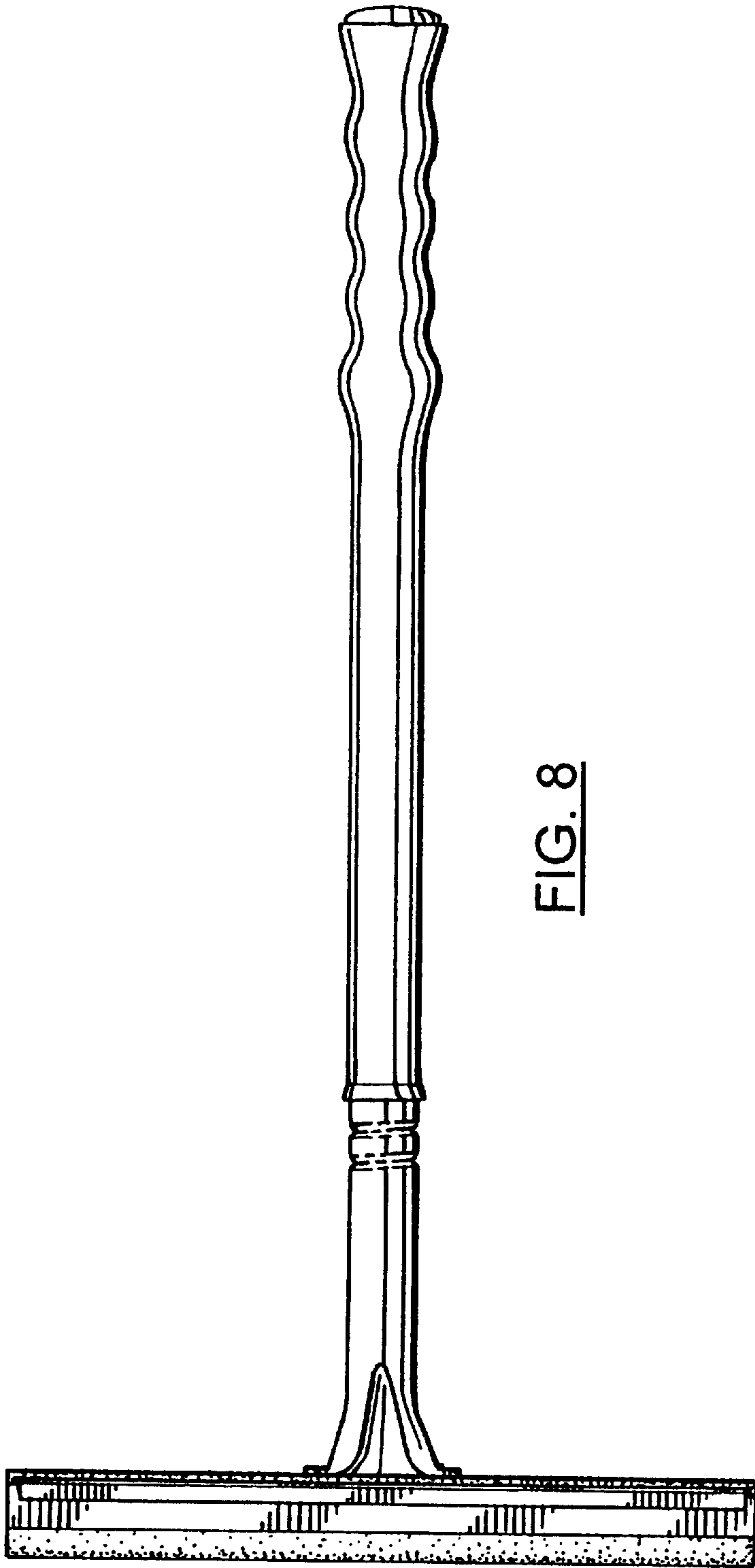


FIG. 8

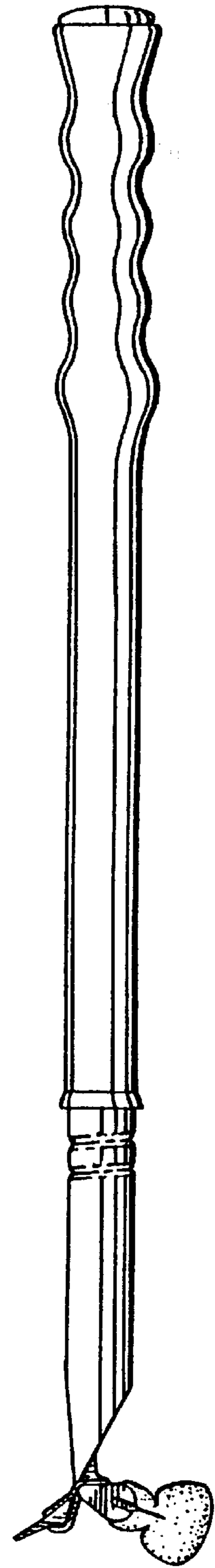


FIG. 9

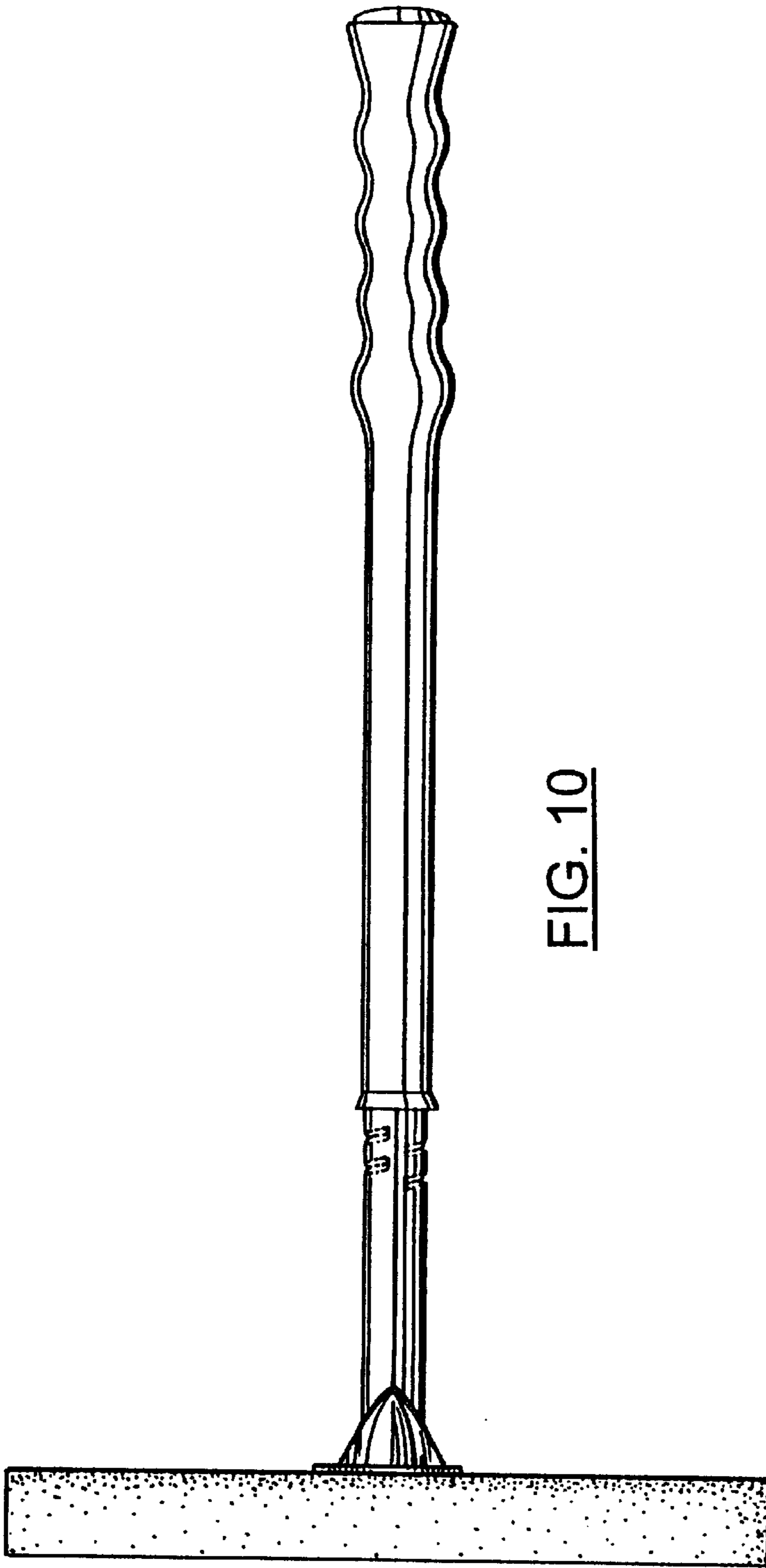


FIG. 10

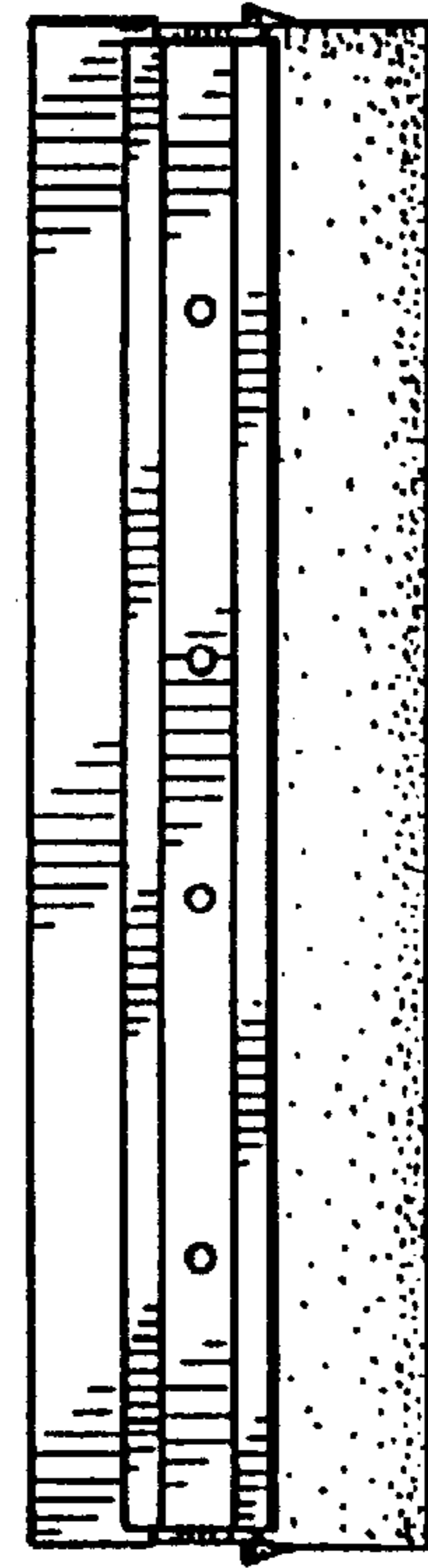


FIG. 12

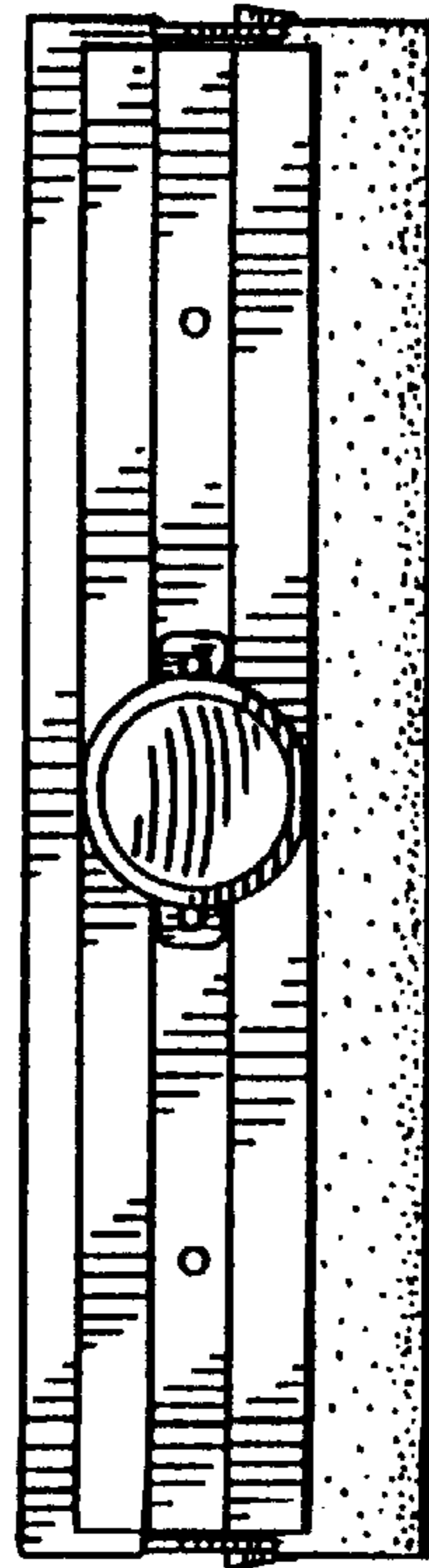


FIG. 11

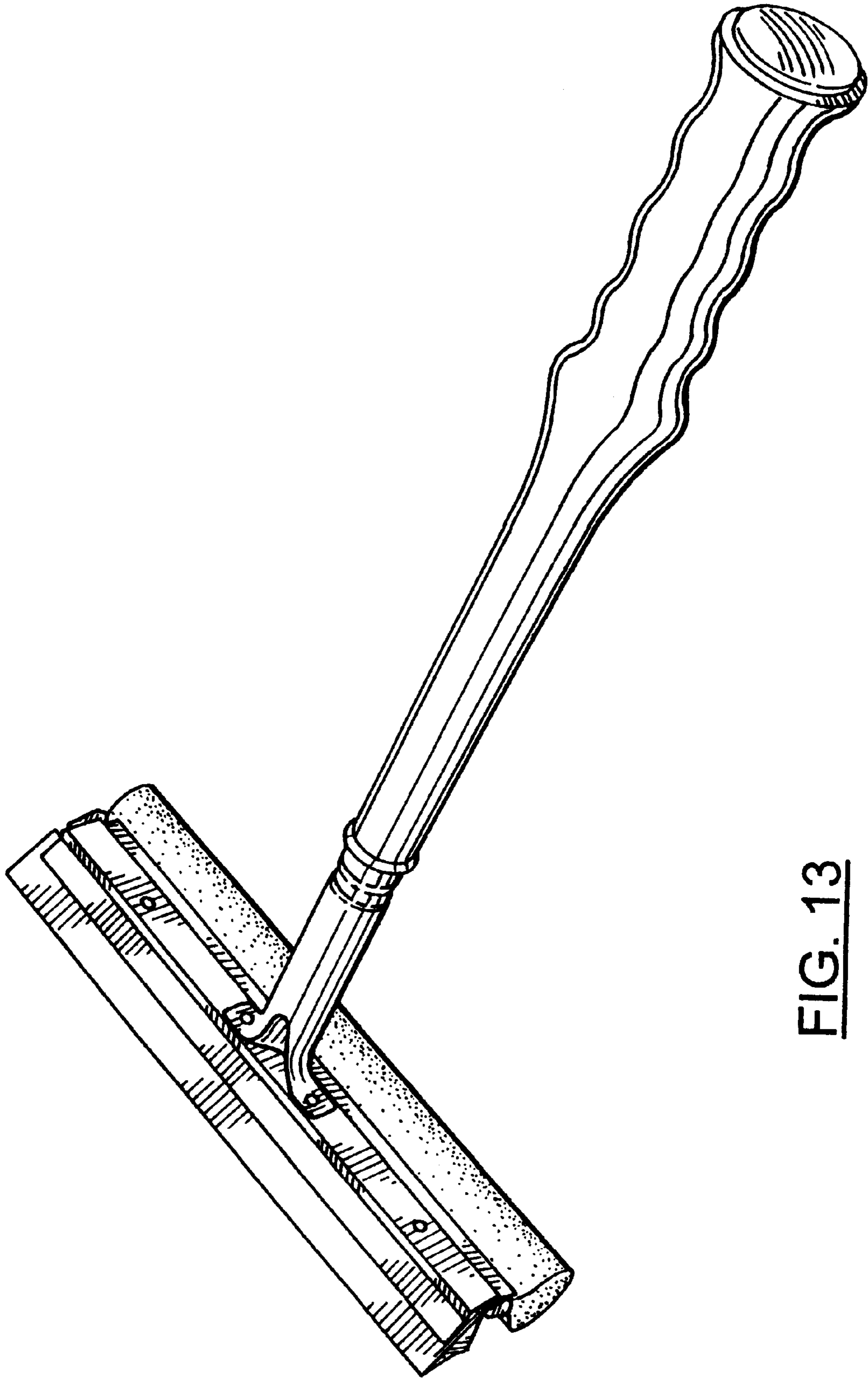
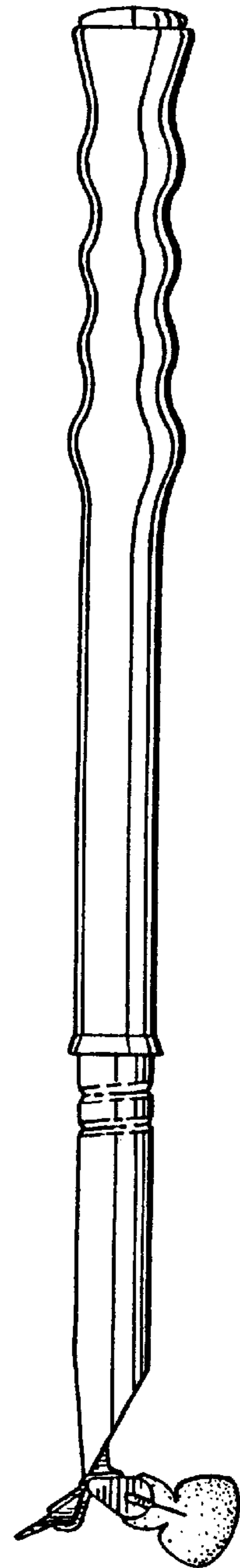
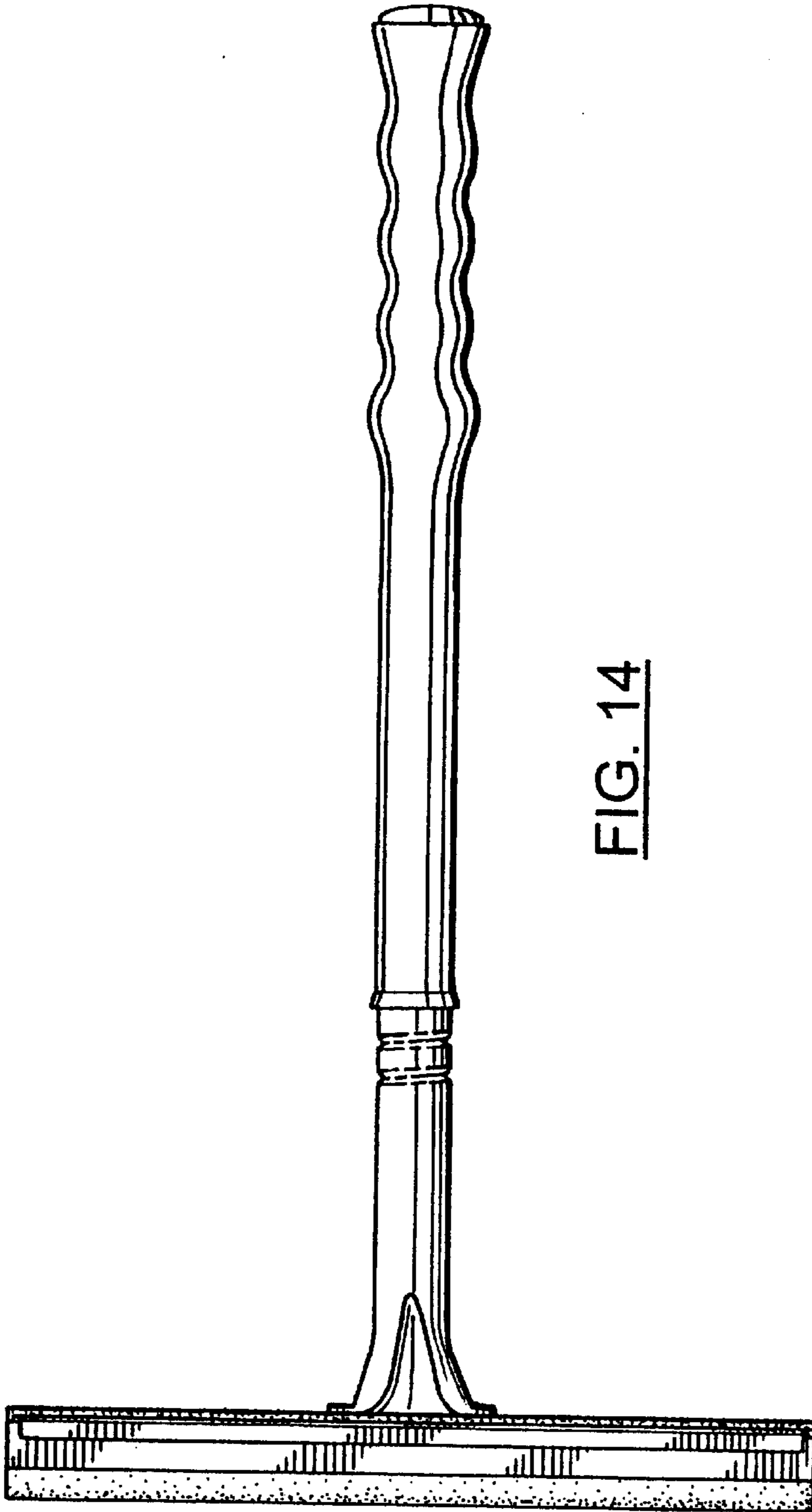


FIG. 13





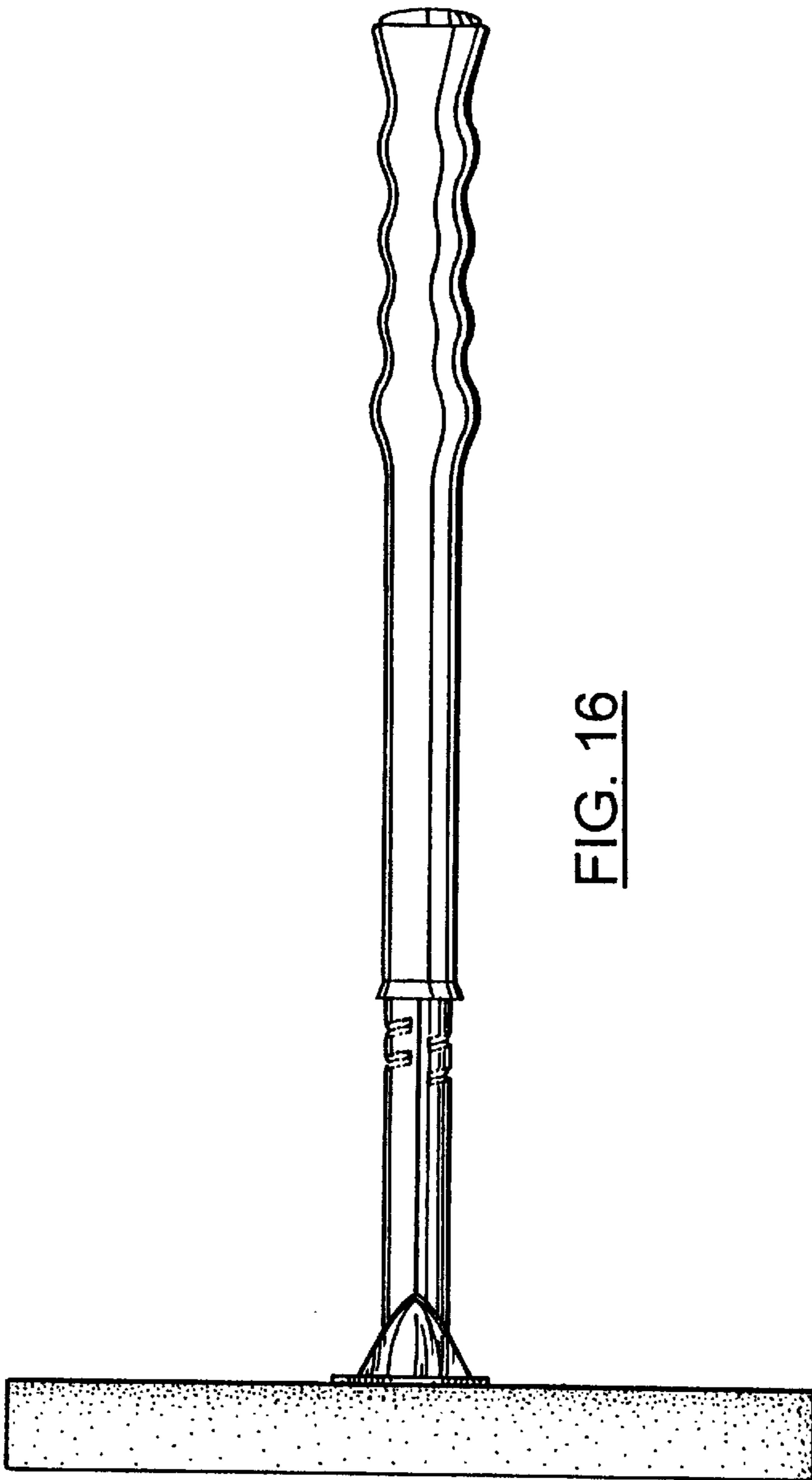


FIG. 16

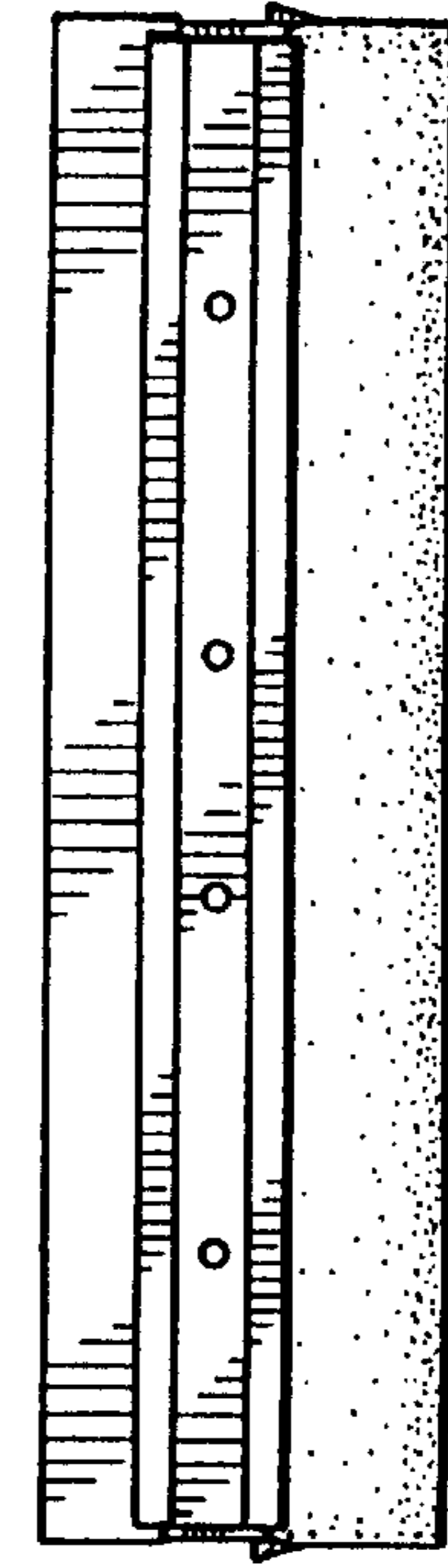


FIG. 18

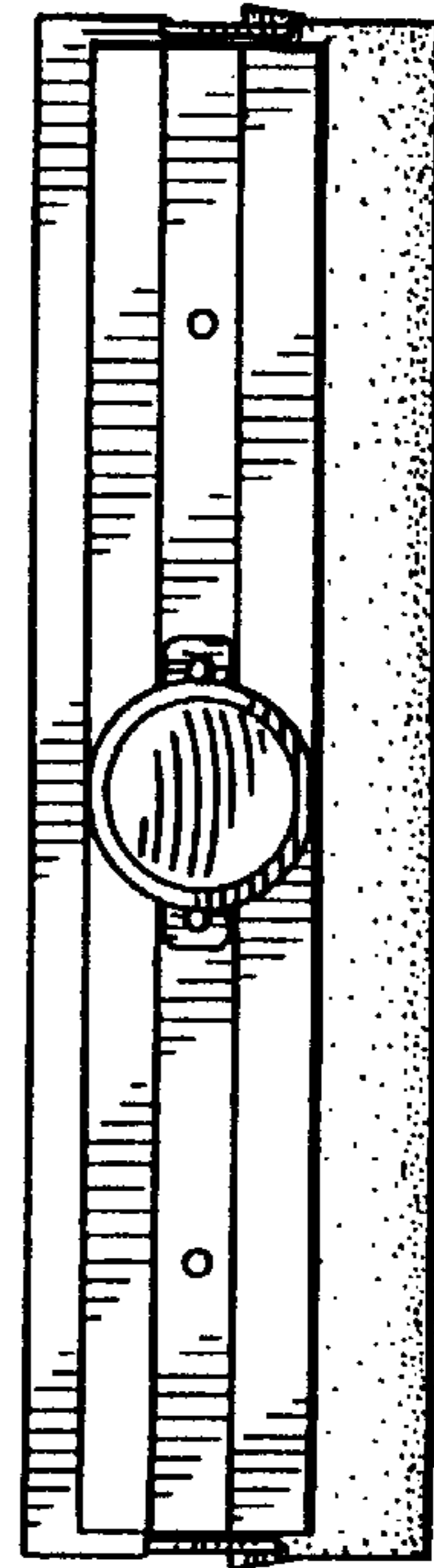


FIG. 17