



US00D447294B1

(12) **United States Design Patent**
Paterson et al.

(10) **Patent No.:** **US D447,294 S**

(45) **Date of Patent:** **** Aug. 28, 2001**

(54) **CONTAINMENT MEMBER FOR FLOOR CARE APPARATUS**

(75) Inventors: **Chris M. Paterson**, Long Beach, MS (US); **Nheeda Enriquez**, Atlanta, GA (US); **Shari Moore**, Decatur, GA (US); **Amy Ryan**, Marietta, GA (US); **Shane P. Cohen**, Metairie, LA (US)

(73) Assignee: **Oreck Holdings, LLC**, Cheyenne, WY (US)

(**) Term: **14 Years**

(21) Appl. No.: **29/130,314**

(22) Filed: **Sep. 29, 2000**

(51) **LOC (7) Cl.** **15-05**

(52) **U.S. Cl.** **D32/25**

(58) **Field of Search** D32/21, 22, 25, D32/30, 31; 15/347-353

(56) **References Cited**

U.S. PATENT DOCUMENTS

D. 56,414 * 10/1920 Brintzenhofe D32/30

D. 217,737 * 6/1970 Lagerstrom D32/22
D. 251,668 * 4/1979 Asberg D32/30
D. 343,033 * 1/1994 Shoji D32/22
D. 343,264 * 1/1994 Hoshino D32/31
D. 358,631 * 5/1995 Conner D32/22

* cited by examiner

Primary Examiner—Mitchell Siegel

(74) *Attorney, Agent, or Firm*—Dorsey & Whitney LLP

(57) **CLAIM**

The ornamental design for a containment member for floor care apparatus, as shown and described.

DESCRIPTION

FIG. 1 is a front isometric view of a containment member for floor care apparatus showing our new design.

FIG. 2 is a front elevational view thereof.

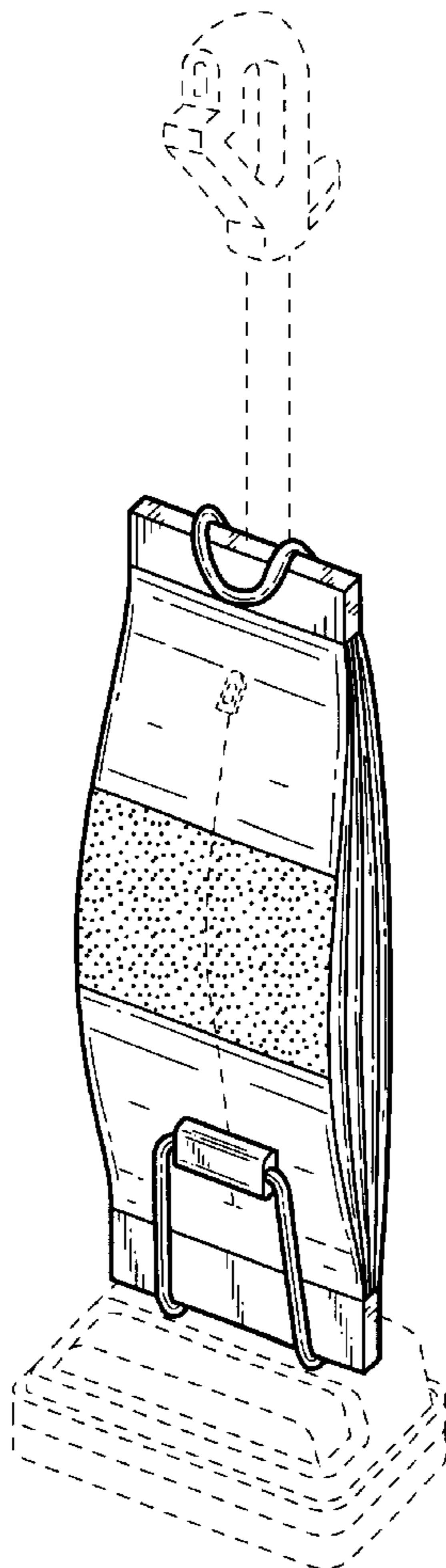
FIG. 3 is a rear elevational view thereof.

FIG. 4 is a right side elevational view thereof; and,

FIG. 5 is a top plan view thereof.

The broken line showing is for illustrative purposes only and forms no part of the claimed design.

1 Claim, 3 Drawing Sheets



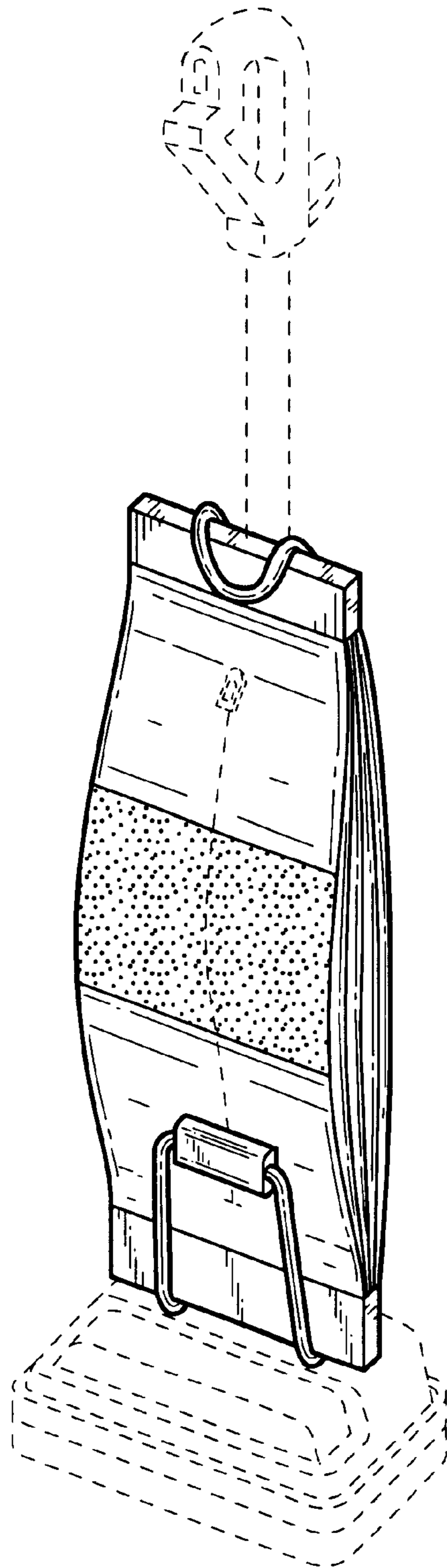


FIG. 1

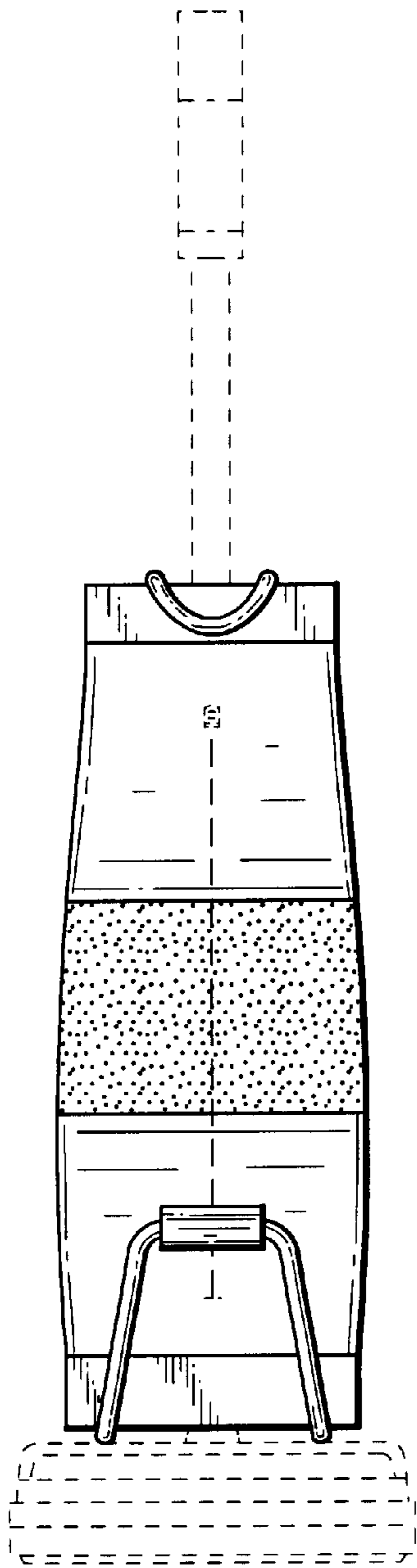


FIG. 2

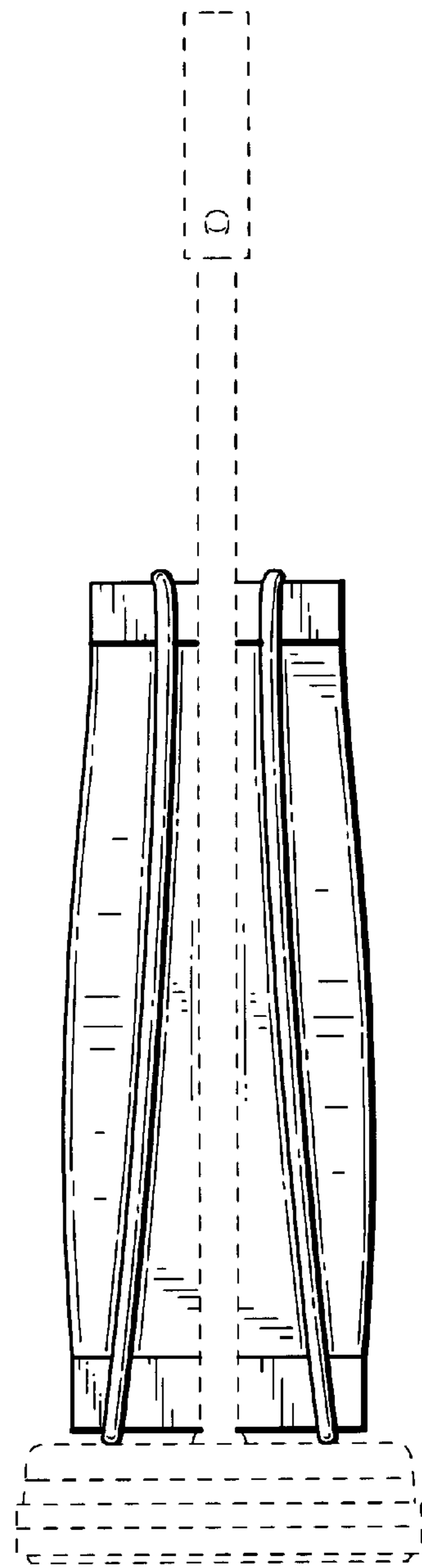


FIG. 3

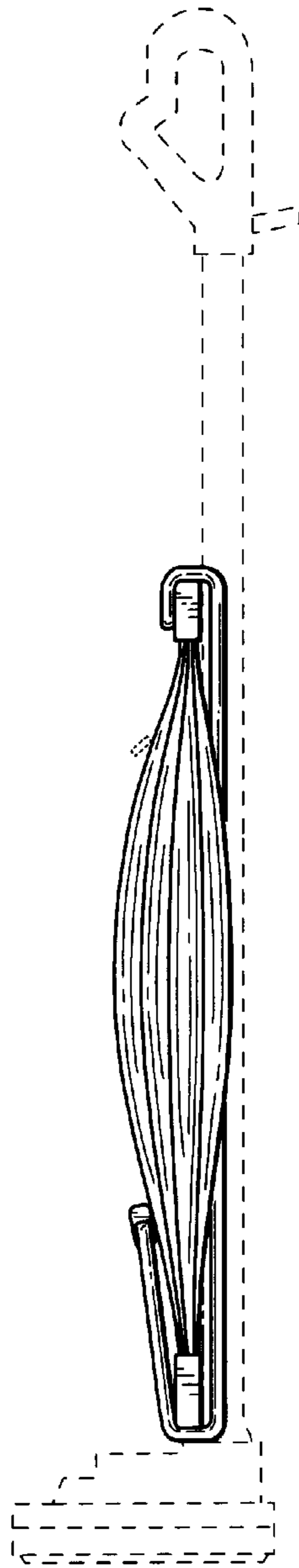


FIG. 4

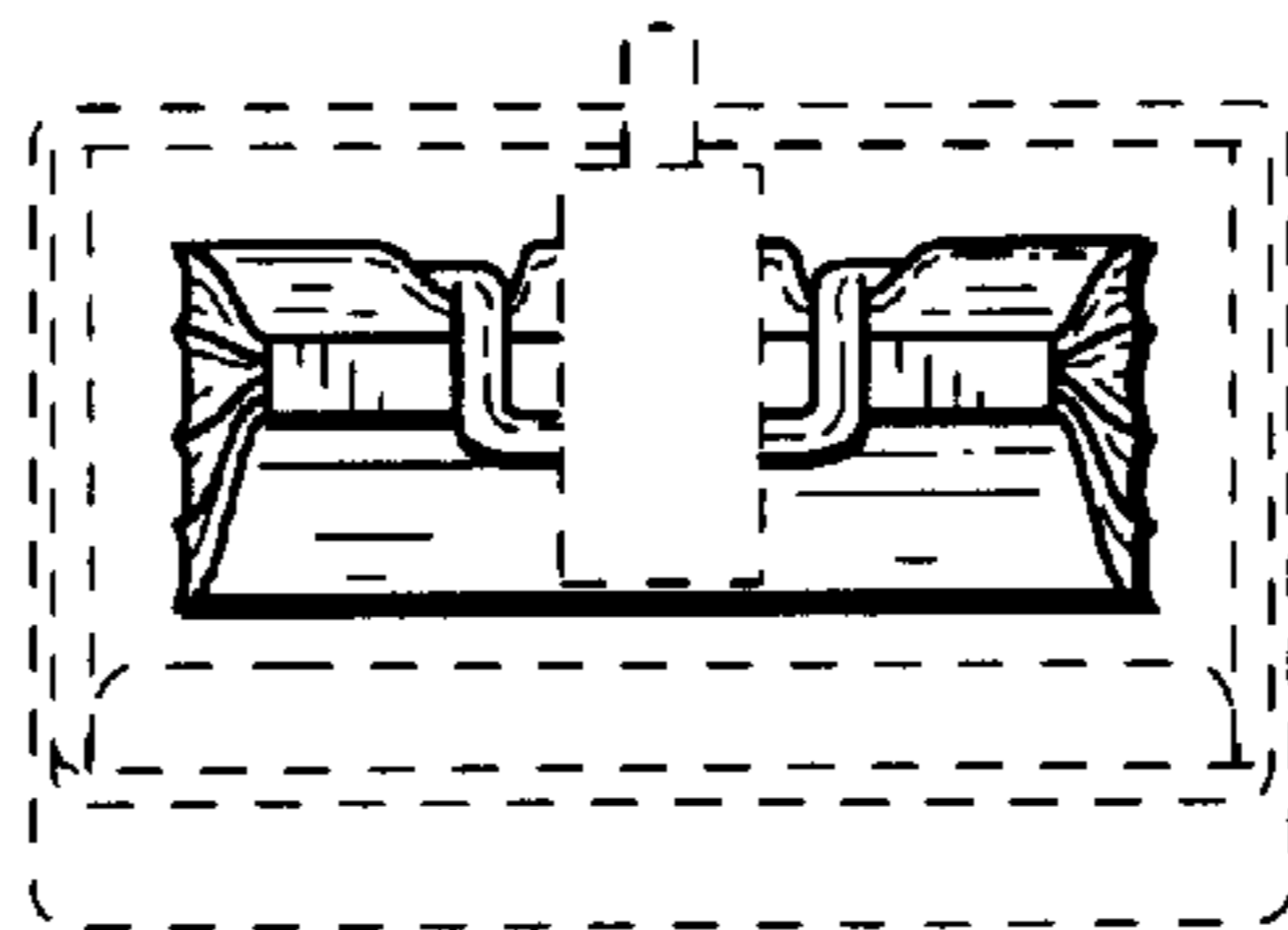


FIG. 5