



US00D447291B1

(12) **United States Design Patent**
Willinger

(10) **Patent No.:** **US D447,291 S**

(45) **Date of Patent:** **** Aug. 28, 2001**

(54) **TANGLE FREE PET RESTRAINT**

(75) Inventor: **Jonathan Willinger**, Tenafly, NJ (US)

(73) Assignee: **JW Pet Company, Inc.**, Hasbrouck Heights, NJ (US)

(**) Term: **14 Years**

(21) Appl. No.: **29/132,942**

(22) Filed: **Nov. 17, 2000**

(51) **LOC (7) Cl.** **30-09**

(52) **U.S. Cl.** **D30/154**

(58) **Field of Search** D30/151, 158,
D30/160, 119, 154, 153; 119/707, 708-711,
797, 796, 769, 712, 799, 795, 786-788,
784

(56) **References Cited**

U.S. PATENT DOCUMENTS

D. 353,477	*	12/1994	Terry	D30/154
2,087,176	*	7/1937	Webb	119/787
2,525,890	*	10/1950	Gage	119/787

* cited by examiner

Primary Examiner—Pamela Burgess

(74) *Attorney, Agent, or Firm*—Helfgott & Karas, P.C.

(57) **CLAIM**

The ornamental design for a tangle free pet restraint, as shown and described.

DESCRIPTION

FIG. 1 is a perspective view of a tangle free pet restraint showing my new design;

FIG. 2 is a front elevation view thereof;

FIG. 3 is a rear elevation view thereof;

FIG. 4 is a right side elevation view thereof;

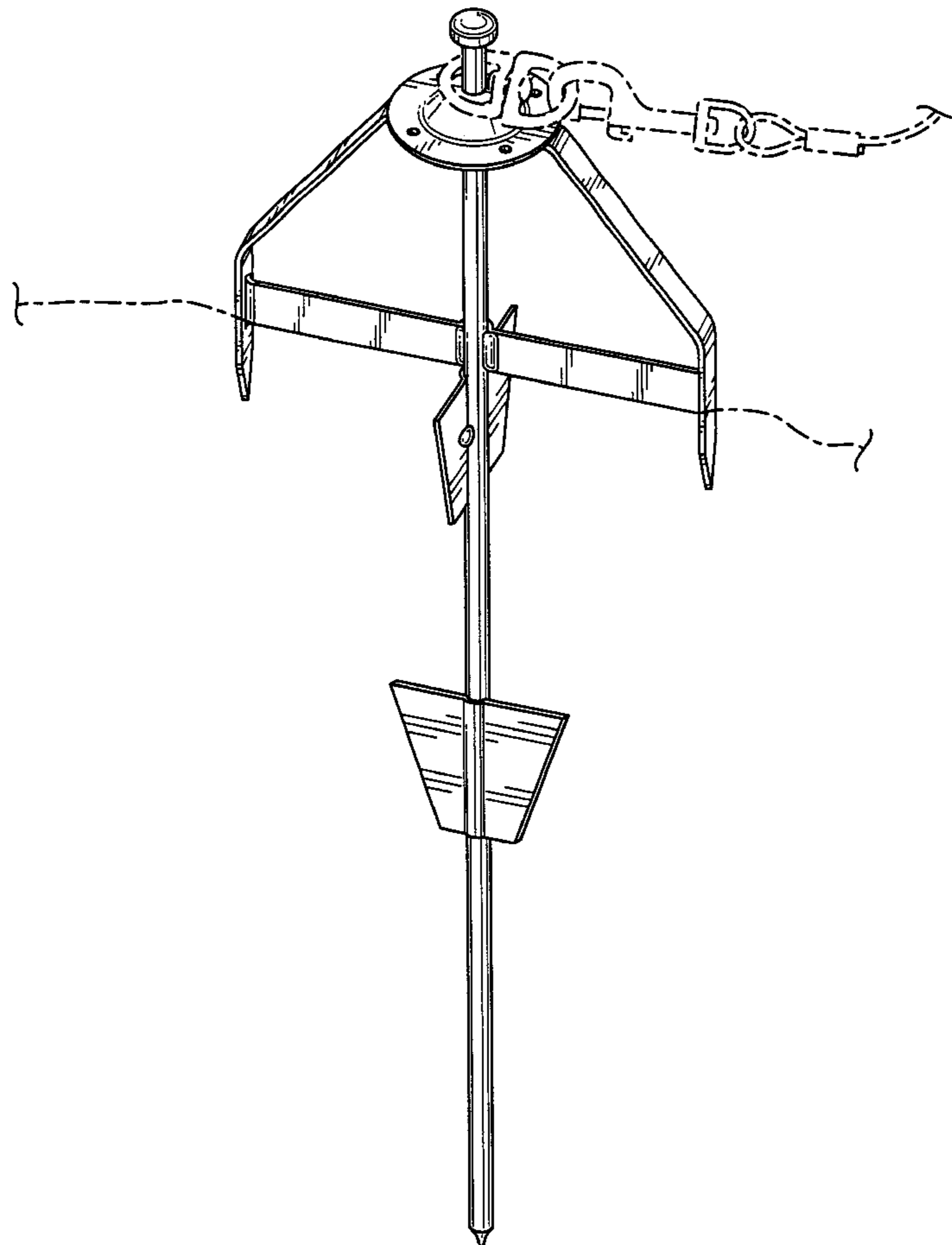
FIG. 5 is a left side elevation view thereof;

FIG. 6 is a top plan view thereof;

FIG. 7 is a bottom plan view thereof; and,

FIG. 8 shows the tangle free pet restraint of my new design inserted into the ground with a leash or the like attached thereto, with the ground, the leash and the leash ring all being shown in dotted lines for purposes of illustration and forming no part of the claimed design.

1 Claim, 7 Drawing Sheets



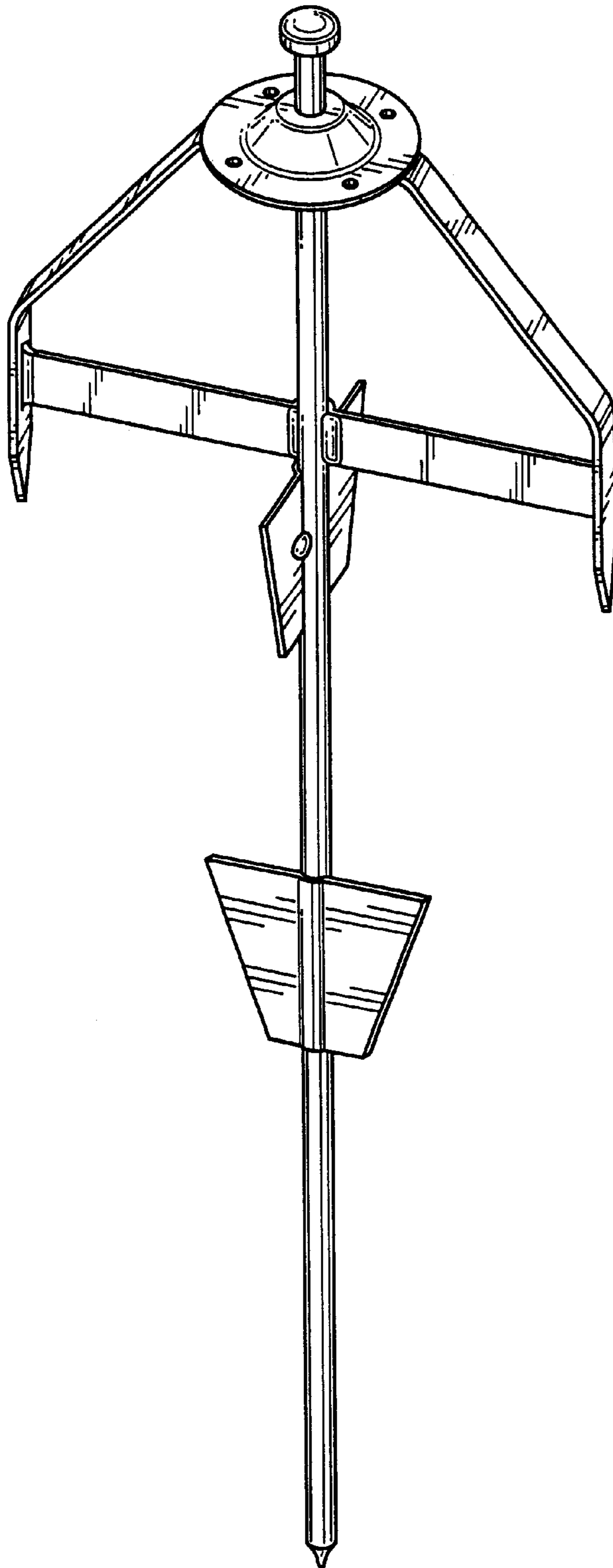


FIG. 1

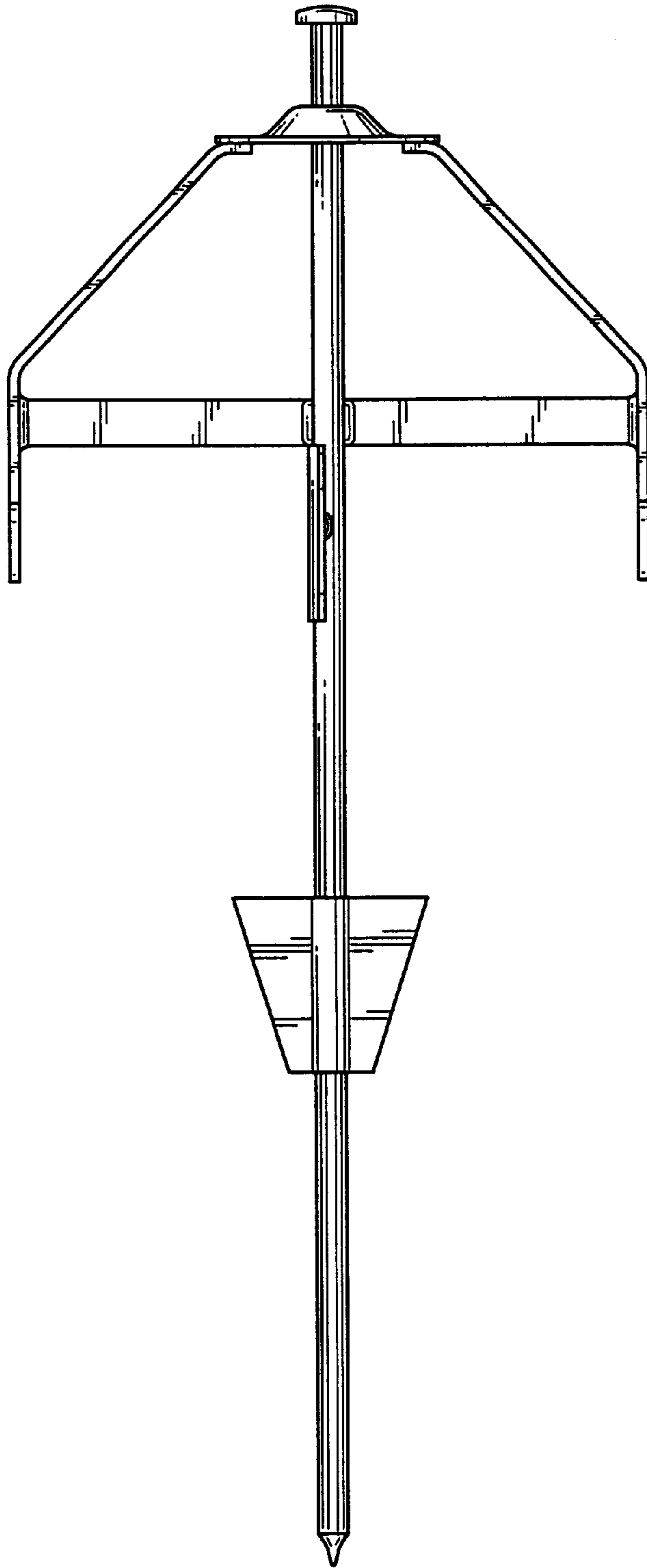


FIG. 2

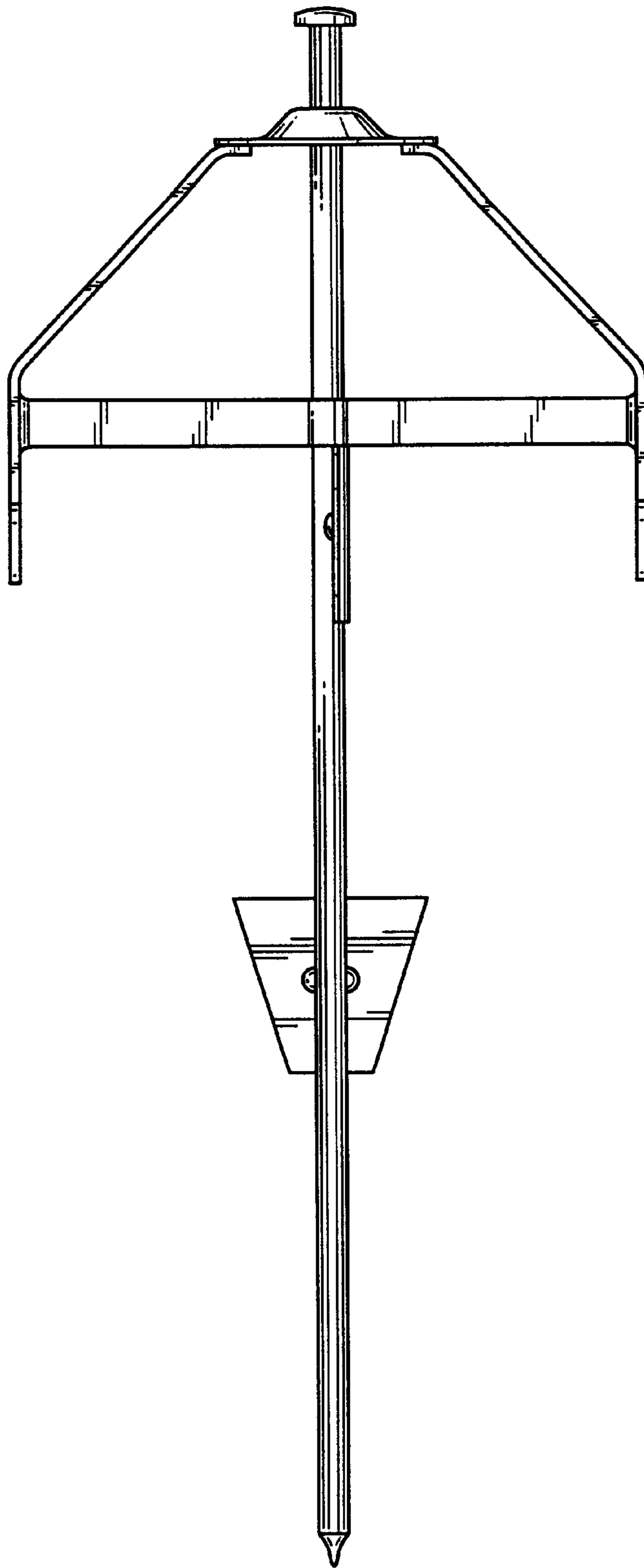


FIG. 3

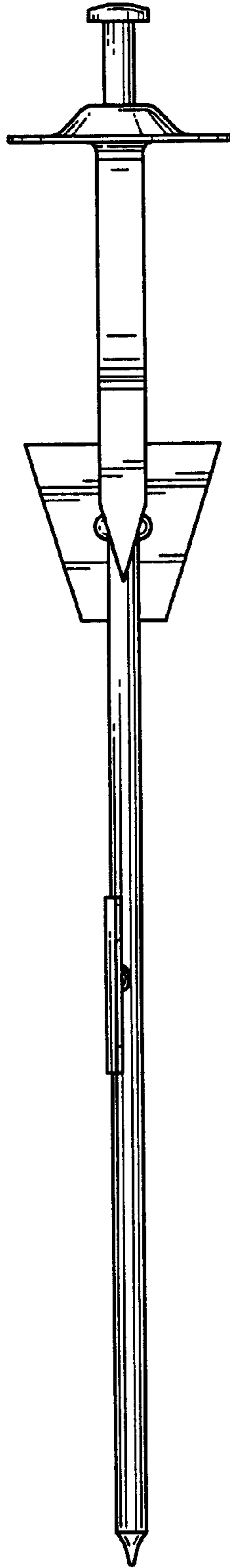


FIG. 4

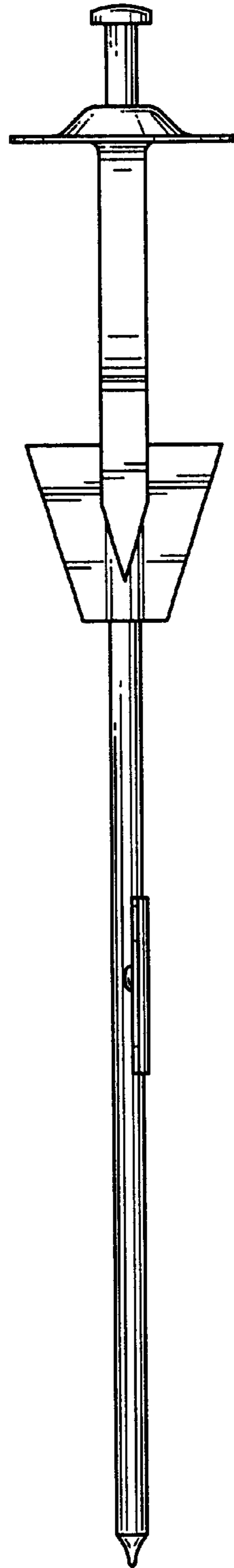


FIG. 5

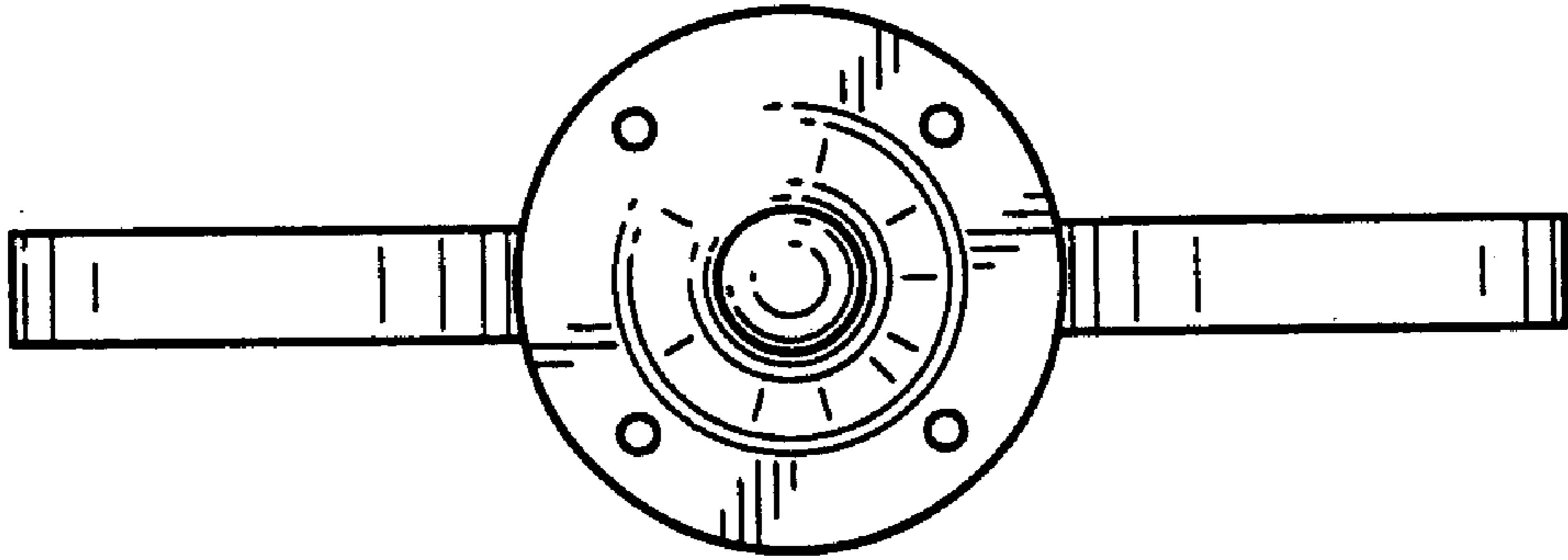


FIG. 6

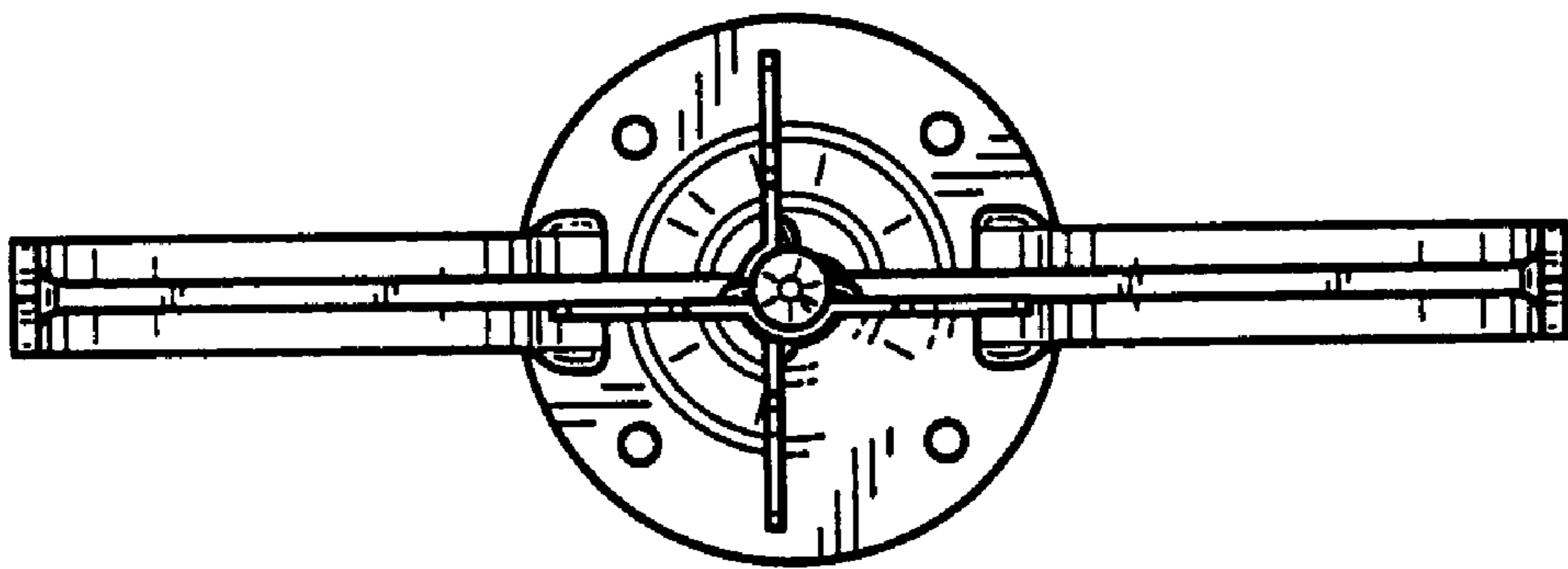


FIG. 7

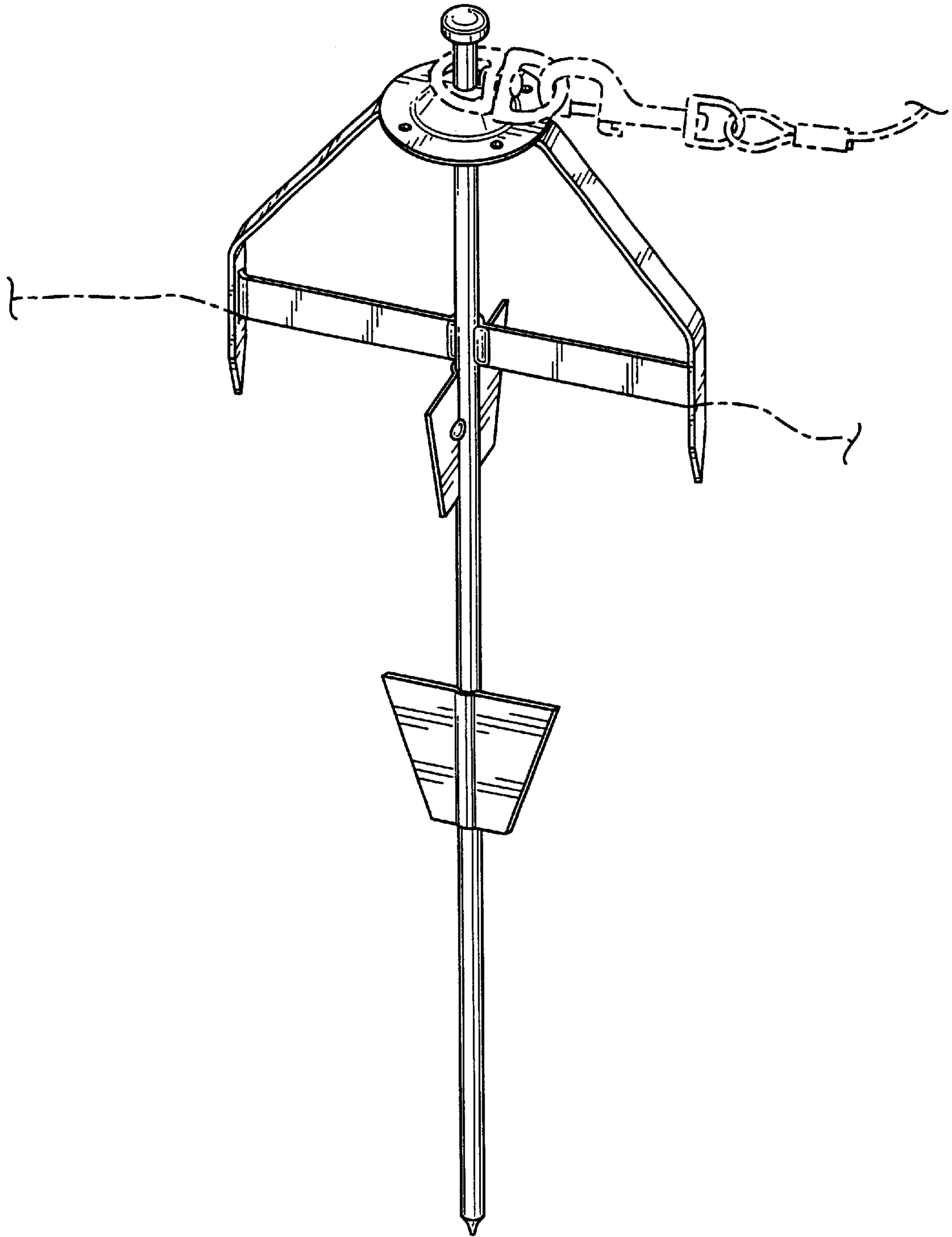


FIG. 8