



US00D447290B1

(12) **United States Design Patent**  
**Huai**

(10) **Patent No.:** **US D447,290 S**

(45) **Date of Patent:** **\*\* Aug. 28, 2001**

(54) **CONTAINER**

(75) Inventor: **Yu-Chiang Huai**, Shanghai (CN)

(73) Assignees: **Ryan Eiland**, Miami Beach, FL (US);  
**Robert Sayegh**, Brooklyn, NY (US)

(\*\*) Term: **14 Years**

(21) Appl. No.: **29/128,125**

(22) Filed: **Aug. 18, 2000**

(51) **LOC (7) Cl.** ..... **30-03**

(52) **U.S. Cl.** ..... **D30/129; D9/503**

(58) **Field of Search** ..... D30/129, 132,  
D30/133, 121; 119/51.5, 61; 206/545, 549,  
521; 220/293; D7/629; D9/349, 503

(56) **References Cited**

**U.S. PATENT DOCUMENTS**

D. 64,456	*	4/1924	Karpeles	.....	D9/503
D. 216,552	*	2/1970	Curry	.....	D9/503
D. 268,613	*	4/1983	Beacham	.....	D9/503
3,076,435		2/1963	Seymour	.	
5,005,524		4/1991	Berry	.	
5,113,798	*	5/1992	Rera	.....	119/61
5,209,184		5/1993	Sharkan et al.	.	

5,267,662		12/1993	Hayes	.	
5,560,315	*	10/1996	Lampe	.....	119/61
5,592,899		1/1997	English	.	
5,632,228	*	5/1997	Ybarra	.....	119/51.5
5,743,210		4/1998	Lampe	.	
5,752,464	*	5/1998	King et al.	.....	119/51.5
5,787,839		8/1998	Magnant et al.	.	
5,881,670		3/1999	Pelsor	.	

\* cited by examiner

*Primary Examiner*—Pamela Burgess

(74) *Attorney, Agent, or Firm*—Akin, Gump, Strauss,  
Hauer & Feld, L.L.P.

(57) **CLAIM**

The ornamental design for a container, as shown and described.

**DESCRIPTION**

FIG. 1 is a top plan view of a container in accordance with my new design;

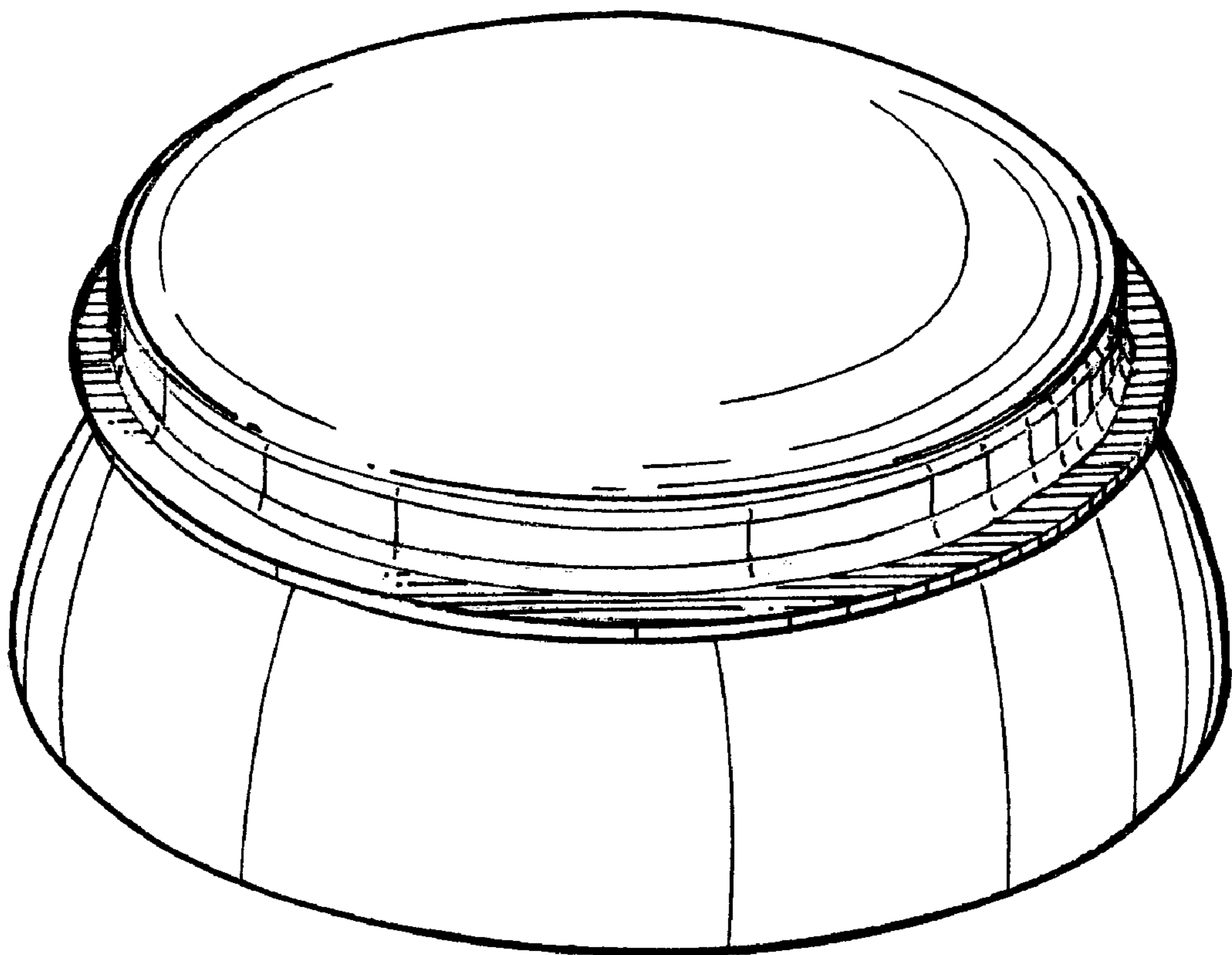
FIG. 2 is a bottom plan view thereof;

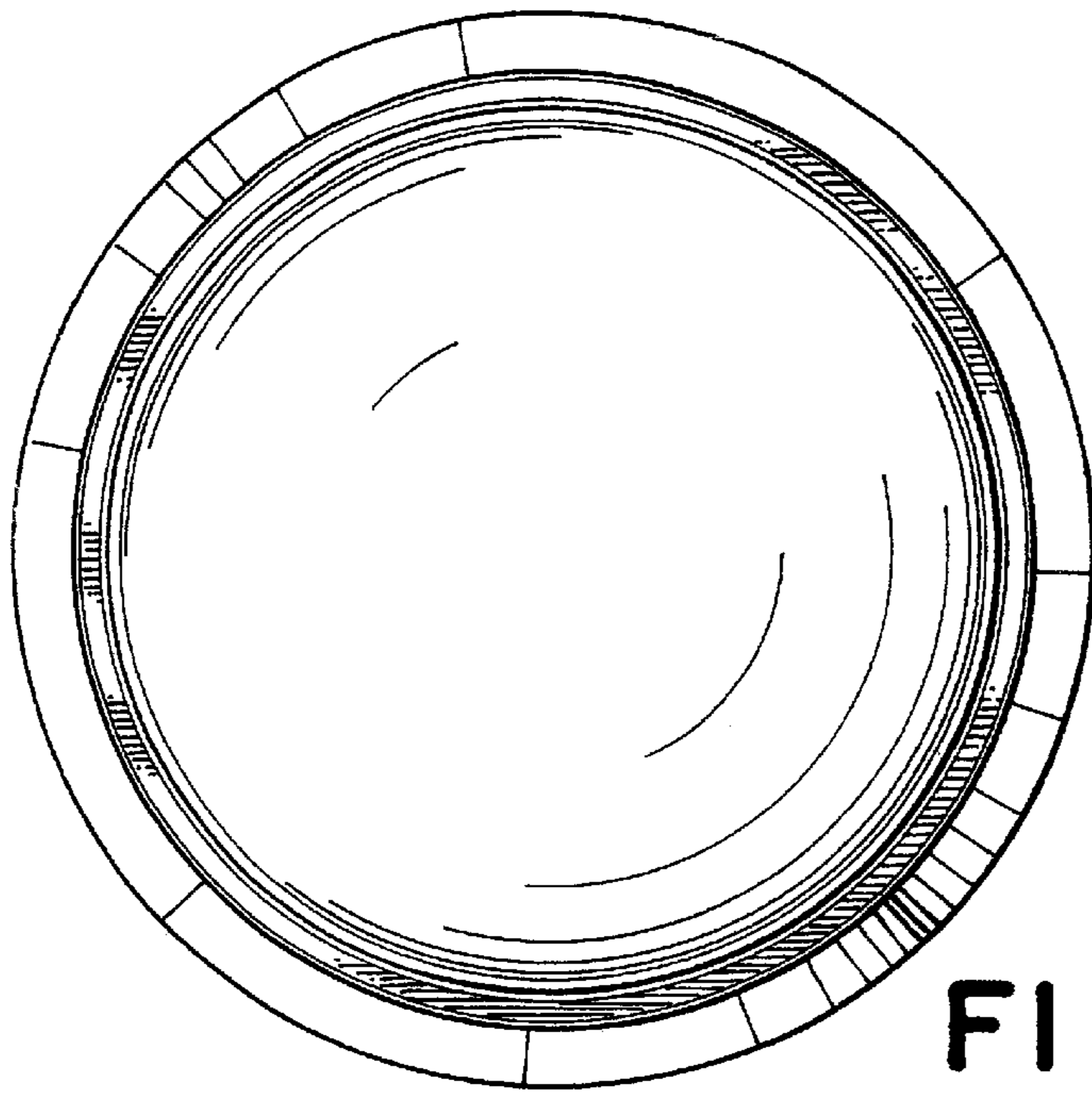
FIG. 3 is a front elevational view thereof, the rear, left and right elevational views being the same;

FIG. 4 is a top perspective view thereof; and,

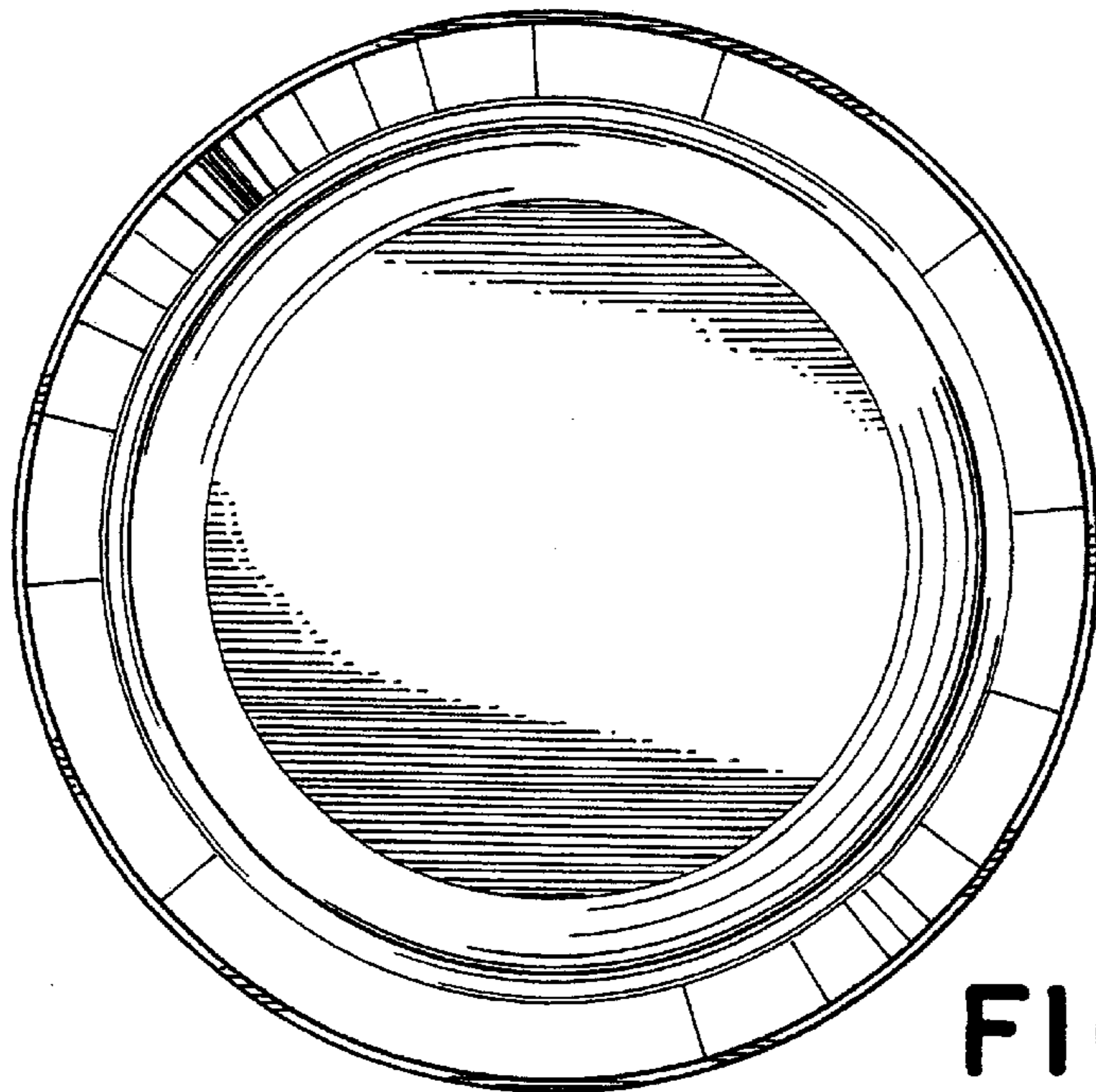
FIG. 5 is a bottom perspective view thereof.

**1 Claim, 2 Drawing Sheets**

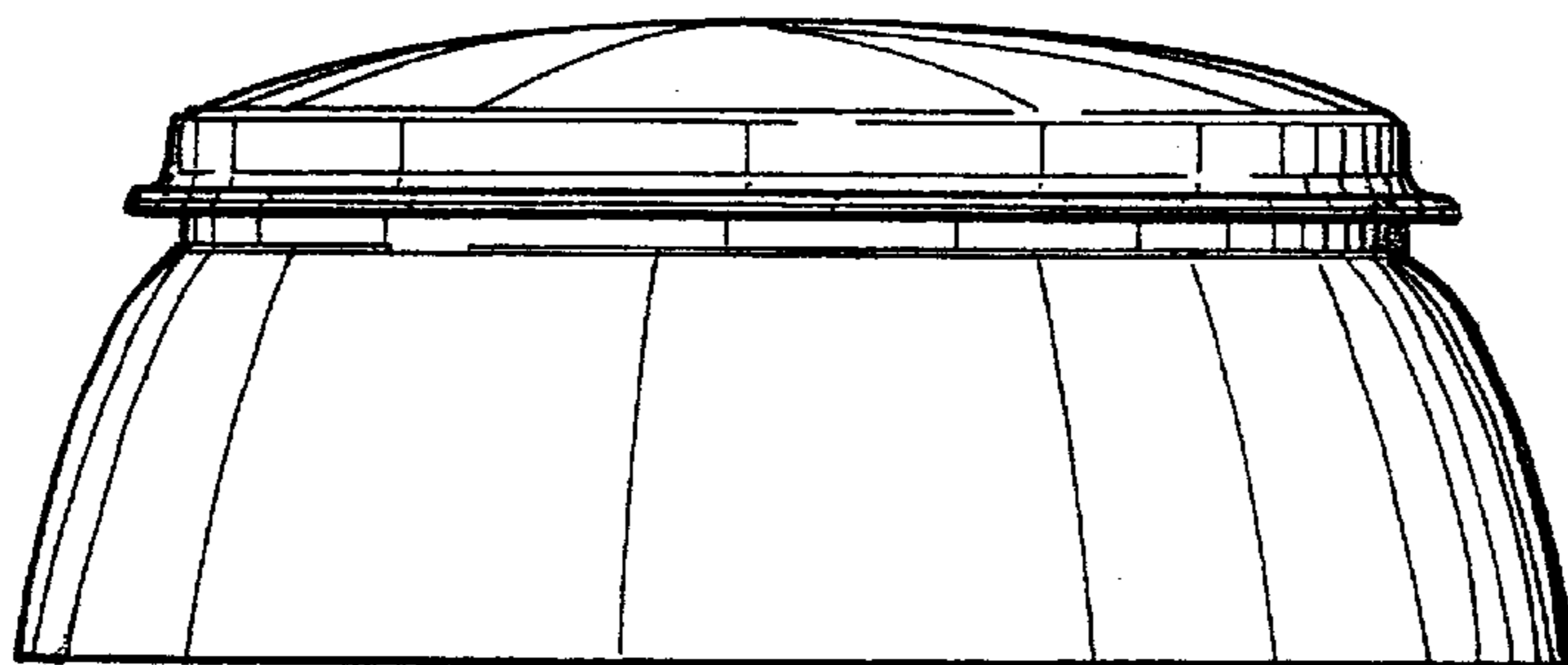




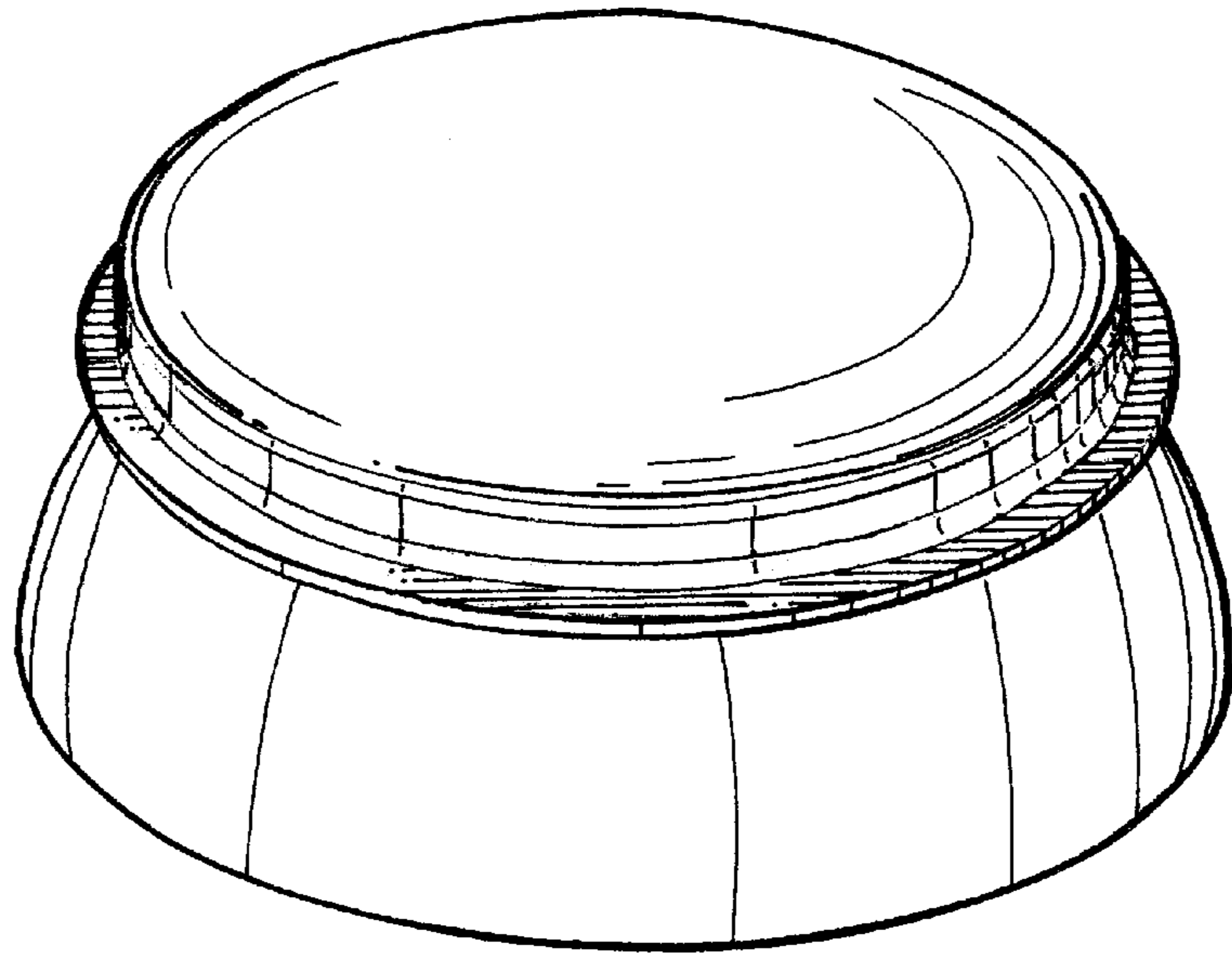
**FIG. 1**



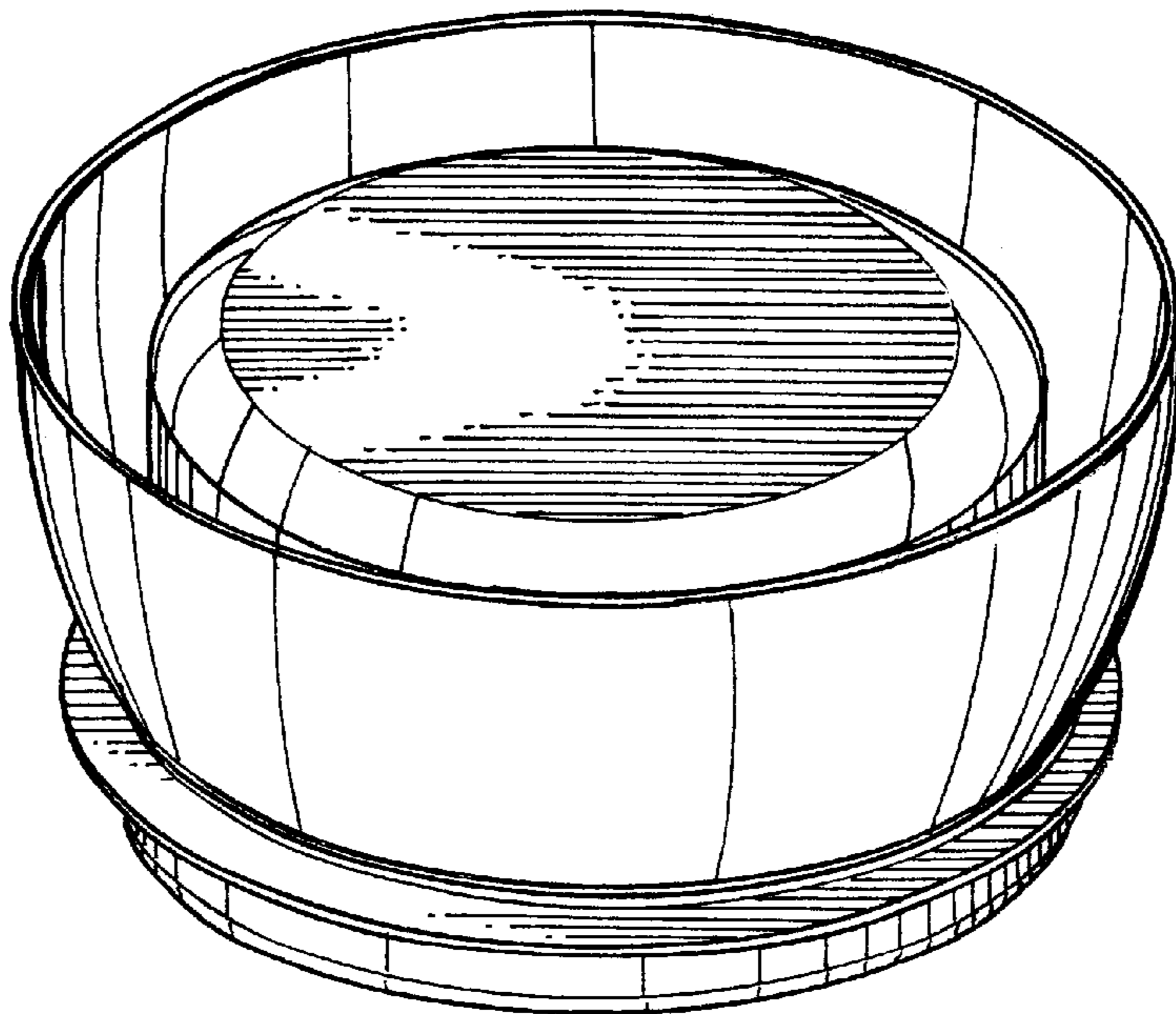
**FIG. 2**



**FIG. 3**



**FIG. 4**



**FIG. 5**