



US00D447280B1

(12) **United States Design Patent**
Angeletta

(10) **Patent No.:** **US D447,280 S**

(45) **Date of Patent:** **** Aug. 28, 2001**

(54) **PALM HELD LOTION AND LIQUID APPLICATOR**

(76) **Inventor:** **Joseph G. Angeletta**, 418 Fifth St.,
Mamaroneck, NY (US) 10543

(**) **Term:** **14 Years**

(21) **Appl. No.:** **29/133,820**

(22) **Filed:** **Dec. 7, 2000**

(51) **LOC (7) Cl.** **28-02**

(52) **U.S. Cl.** **D28/7**

(58) **Field of Search** D28/7, 76; D9/338,
D9/504, 529, 424; D19/70, 71; 206/385,
581, 823, 208, 213, 218, 219, 220; 401/49,
60, 61, 89, 98, 205, 202; 132/317, 318,
320

(56) **References Cited**

U.S. PATENT DOCUMENTS

D. 85,363	*	10/1931	Betts	D9/529
D. 271,049	*	10/1983	Du Cret	D28/7
D. 406,676	*	3/1999	Henry	D28/7
D. 423,713	*	4/2000	Szekely	D28/7
2,100,855	*	11/1937	Kelly	401/205
4,728,210	*	3/1988	Barish et al.	401/6

* cited by examiner

Primary Examiner—Paula A. Mortimer

(74) *Attorney, Agent, or Firm*—Scully, Scott, Murphy &
Presser

(57) **CLAIM**

The ornamental design for a palm held lotion and liquid applicator, as shown and described.

DESCRIPTION

FIG. 1 illustrates an exploded side view of a first embodiment of the palm held lotion and liquid applicator showing my new and ornamental design;

FIG. 2 illustrates a side view, the opposite side being a mirror-image thereof;

FIG. 3 illustrates a top plan view thereof;

FIG. 4 illustrates a perspective side view, thereof, with the cover having been removed; the opposite side being a mirror-image thereof;

FIG. 5 illustrates an exploded side view of a second embodiment;

FIG. 6 illustrates a side view with the cover mounted thereon; the opposite side being a mirror-image thereof;

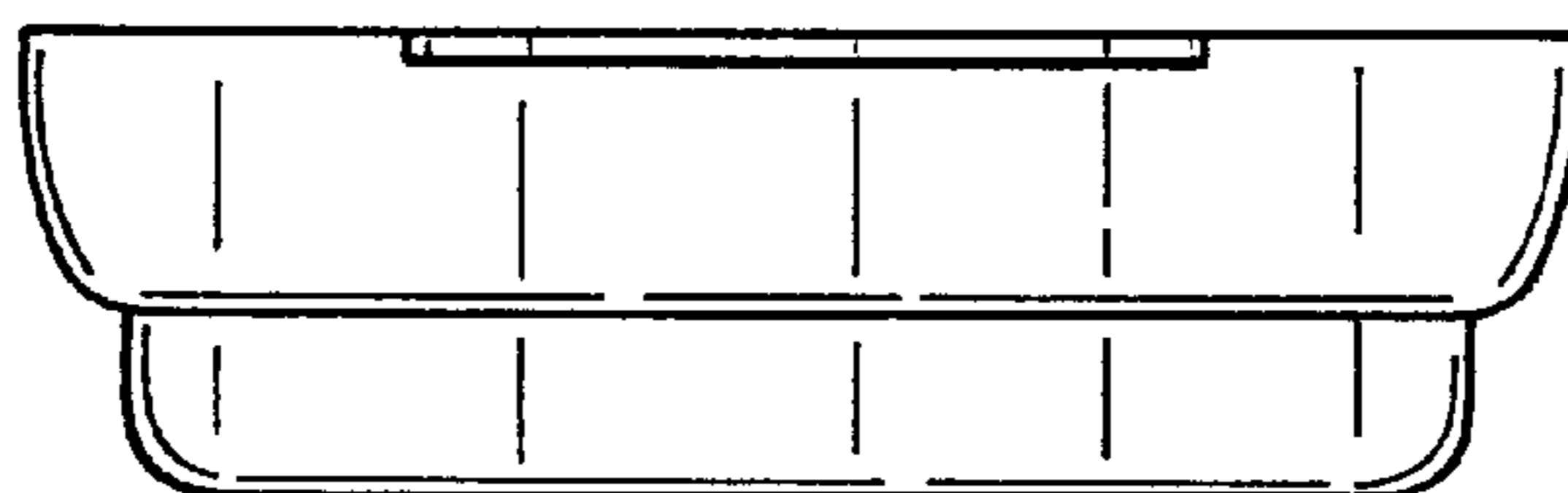
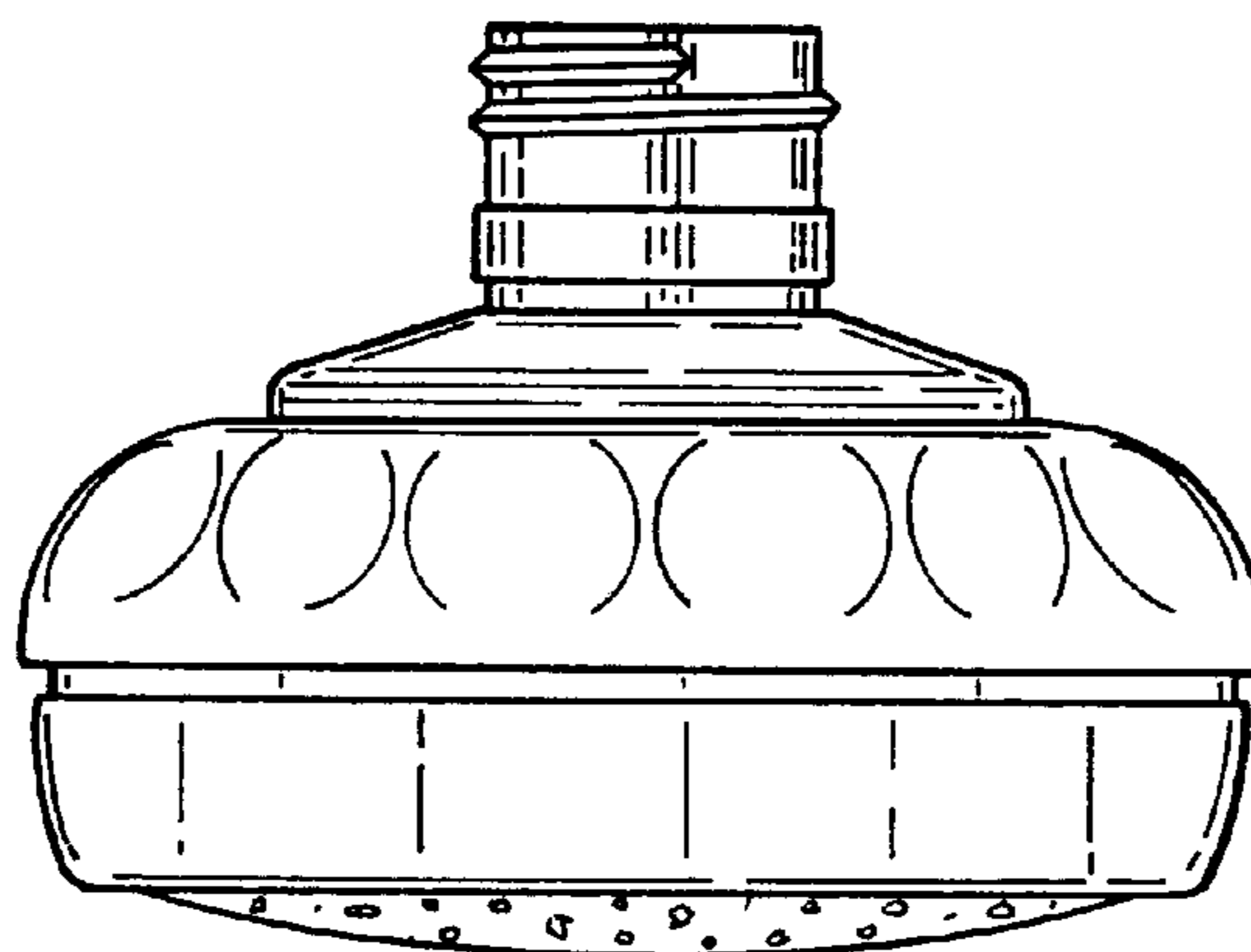
FIG. 7 illustrates a top plan view applicator with a cover being mounted thereon;

FIG. 8 illustrates a perspective side view thereof, with the cover having been removed; the opposite side being a mirror-image thereof;

FIG. 9 illustrates a bottom plan view of both embodiments, with the cover attached thereon; and,

FIG. 10 illustrates a bottom plan view of both embodiments, with the cover having been removed.

1 Claim, 2 Drawing Sheets



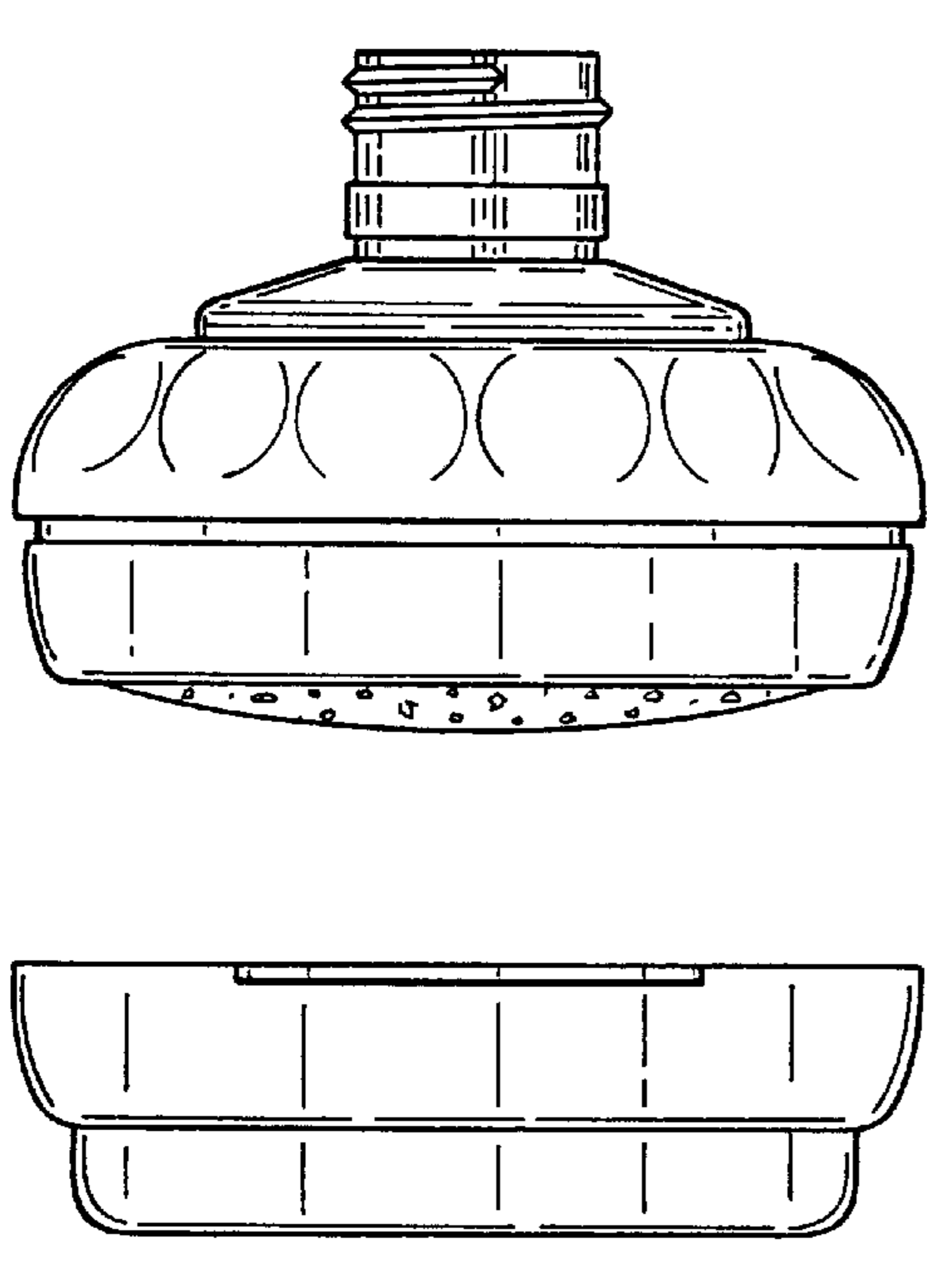


FIG. 1

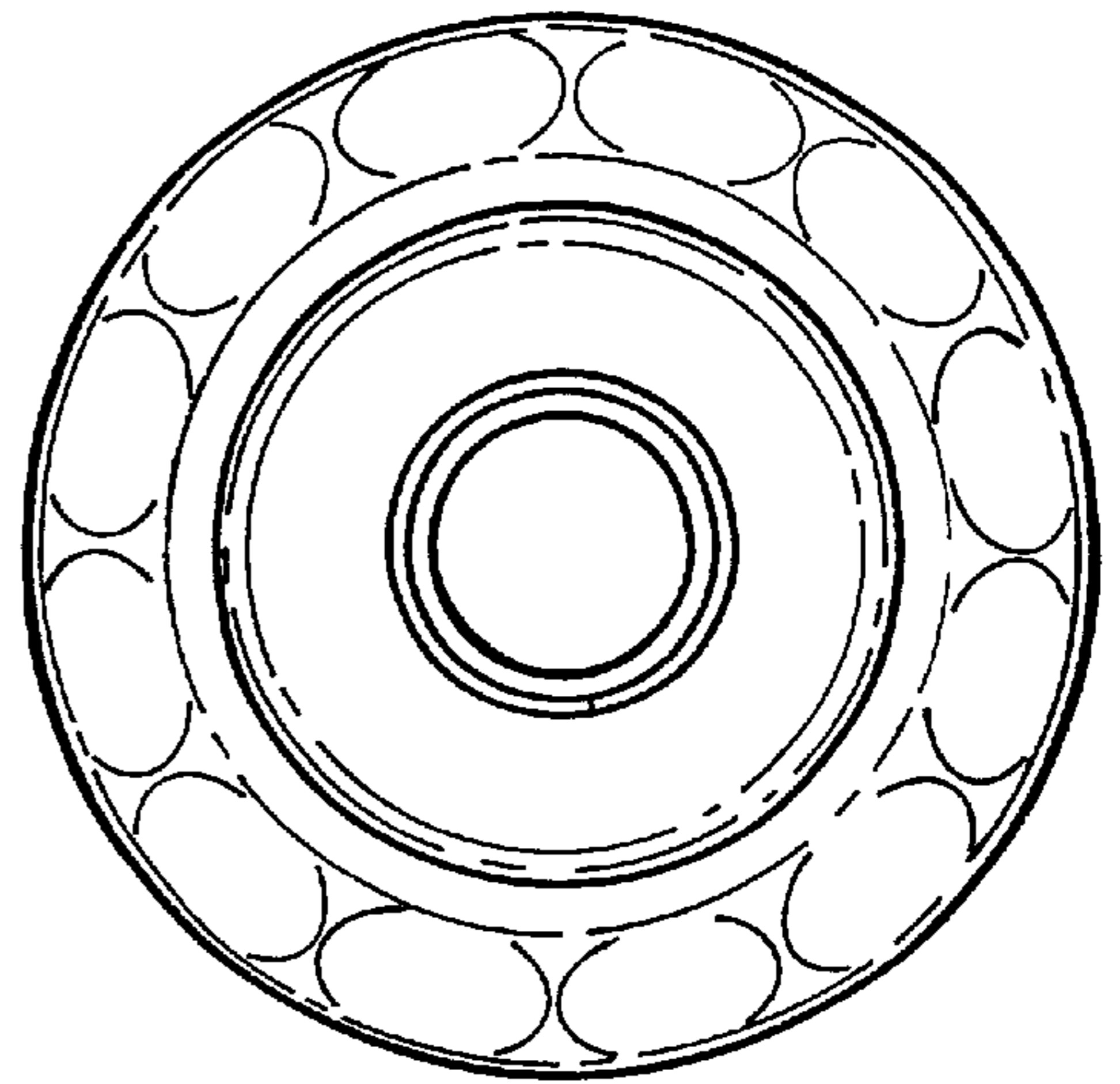


FIG. 3

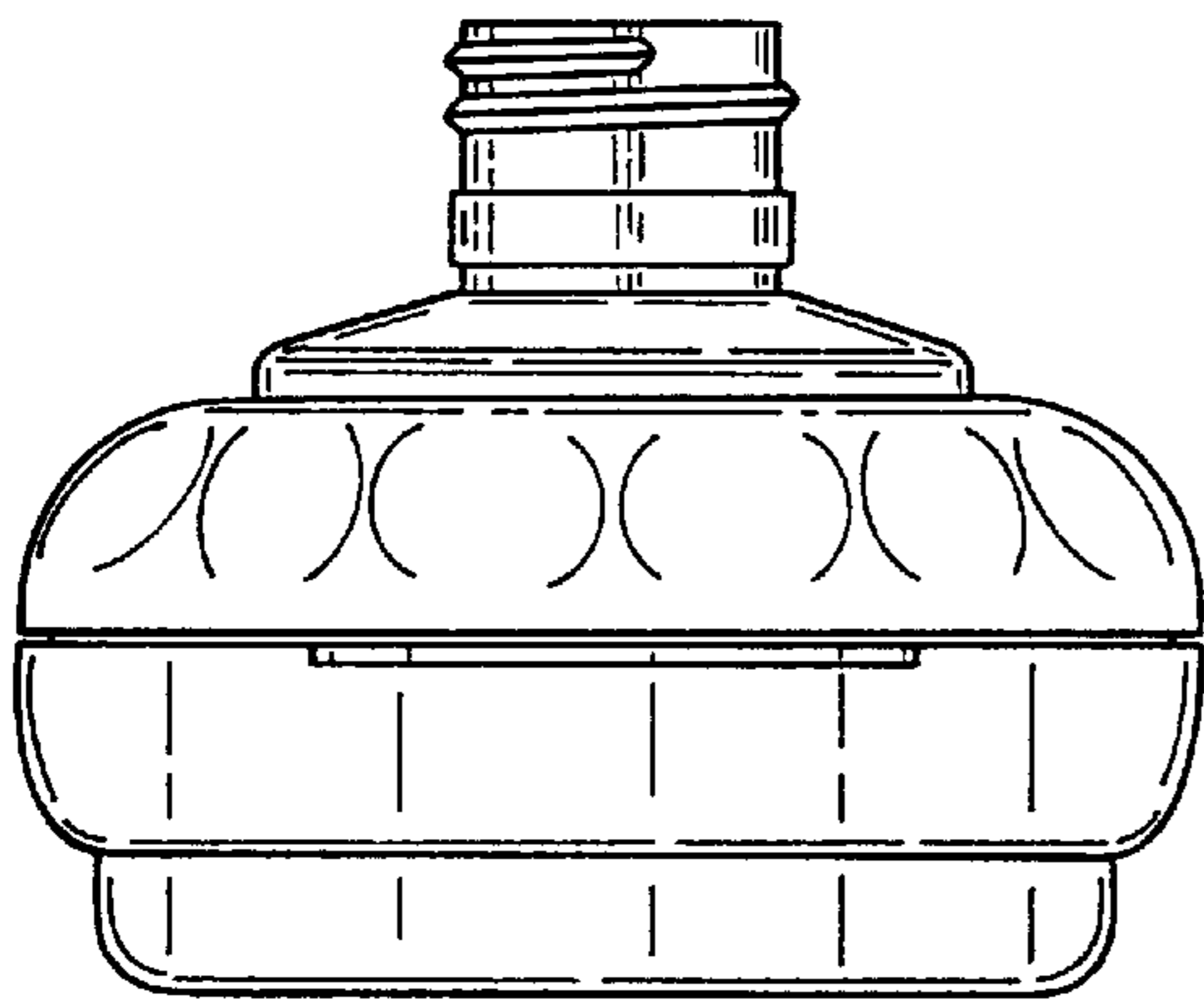


FIG. 2

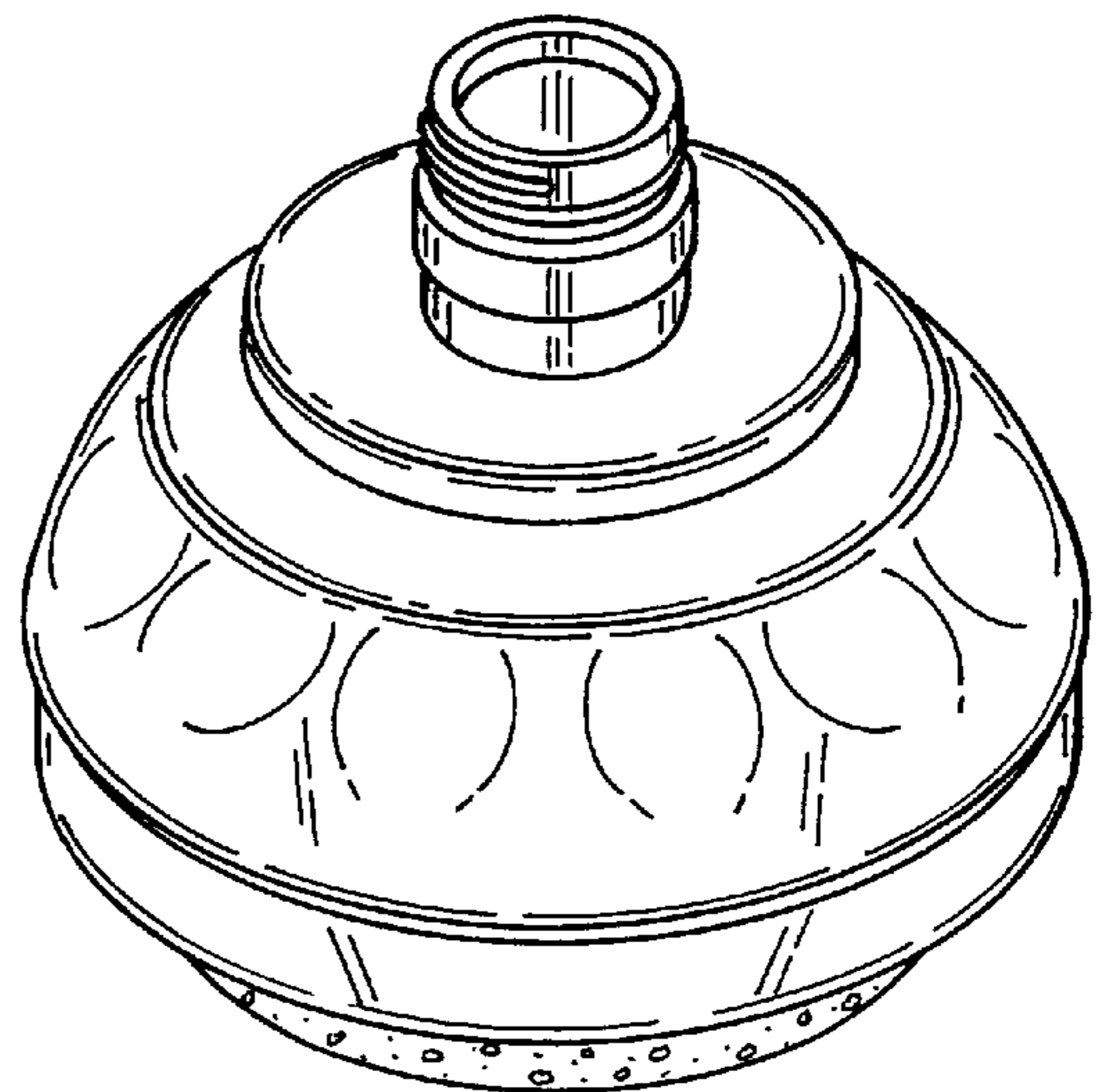


FIG. 4

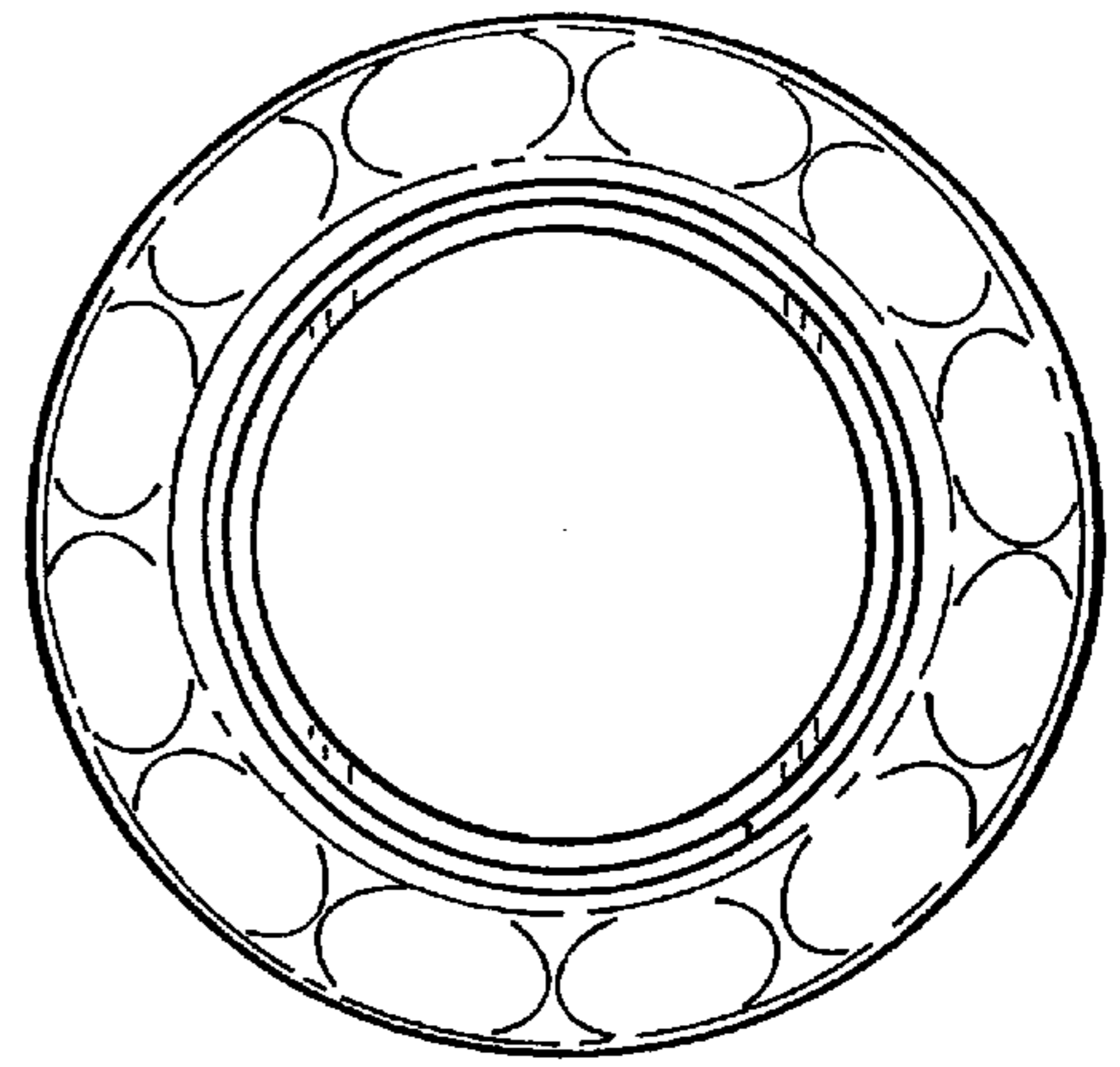
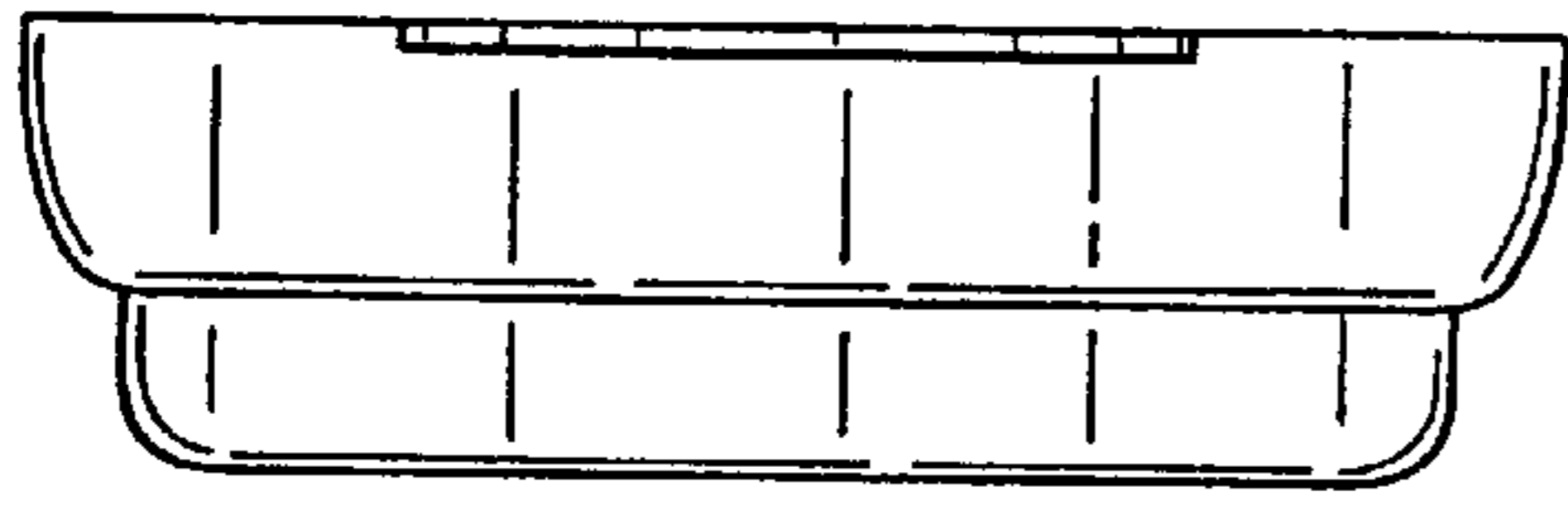
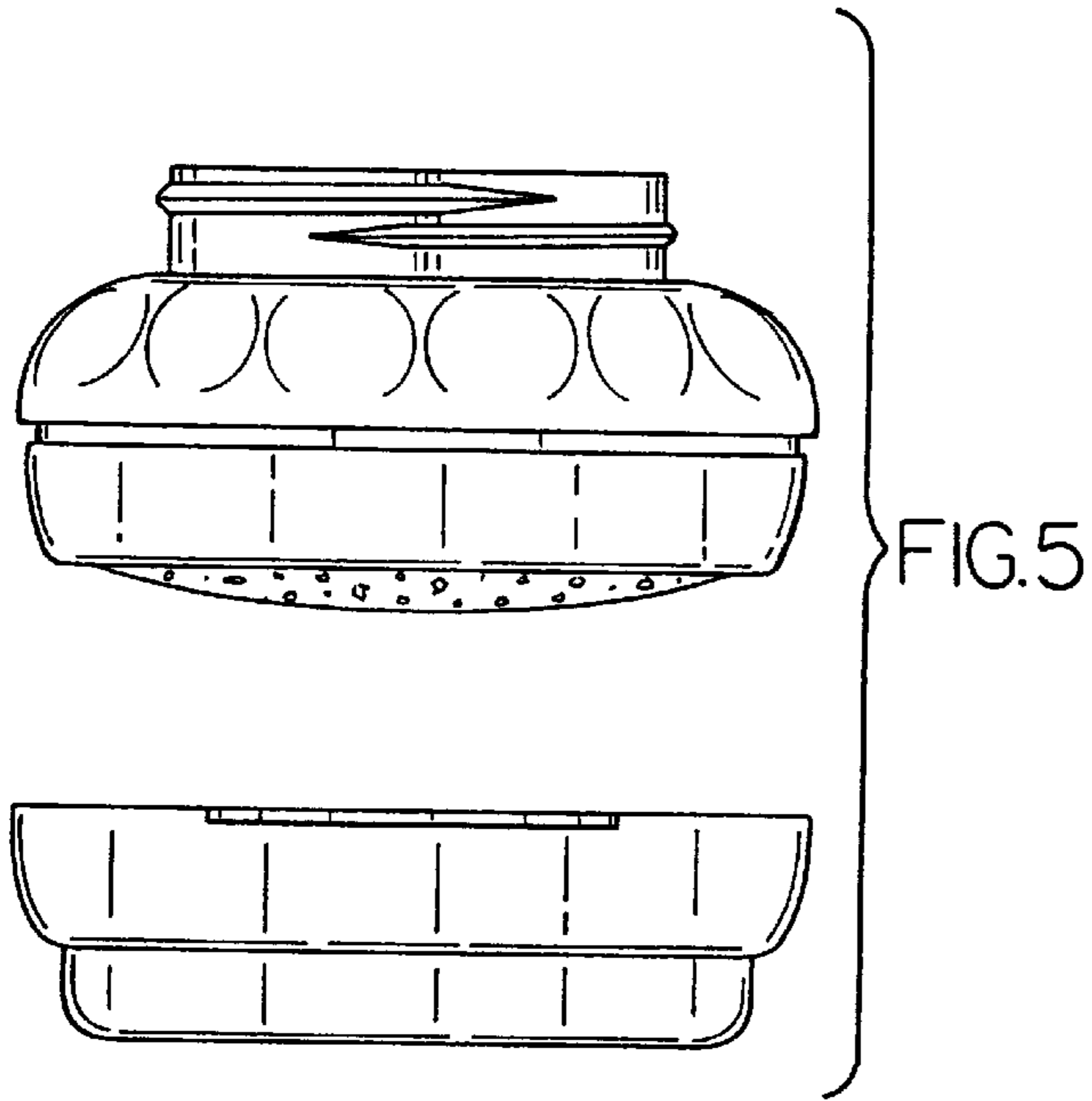


FIG. 7

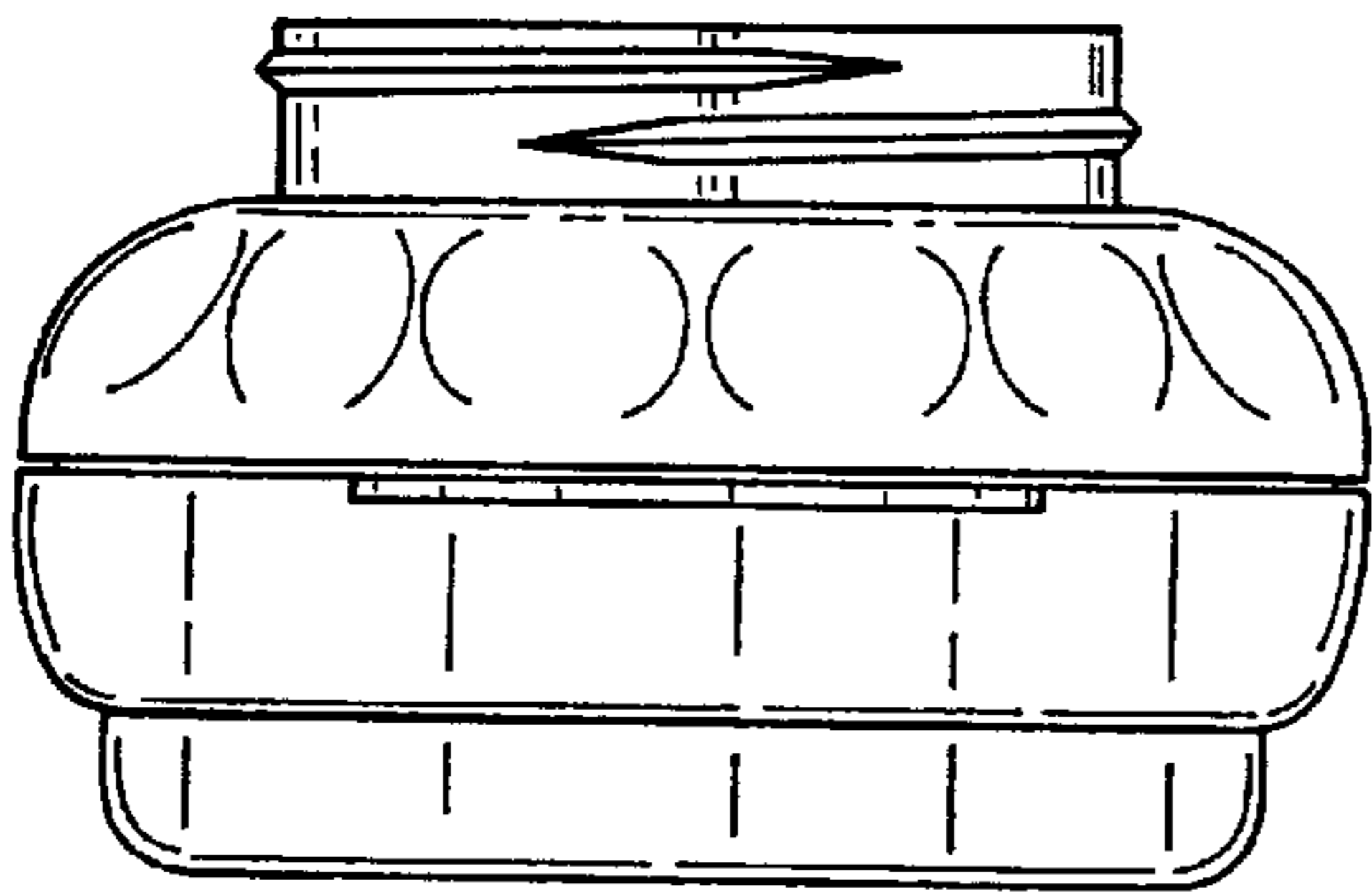


FIG. 6

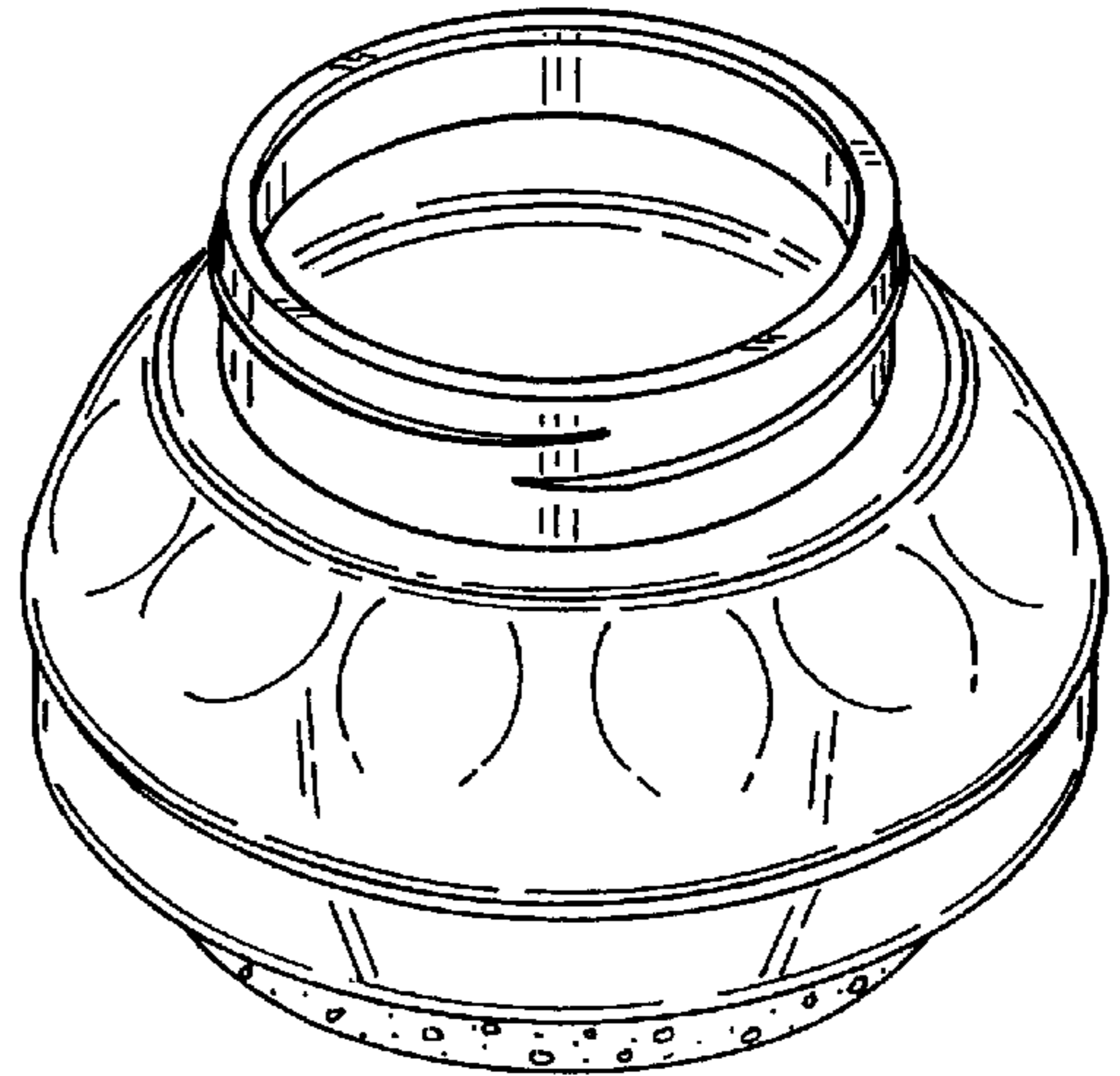


FIG. 8

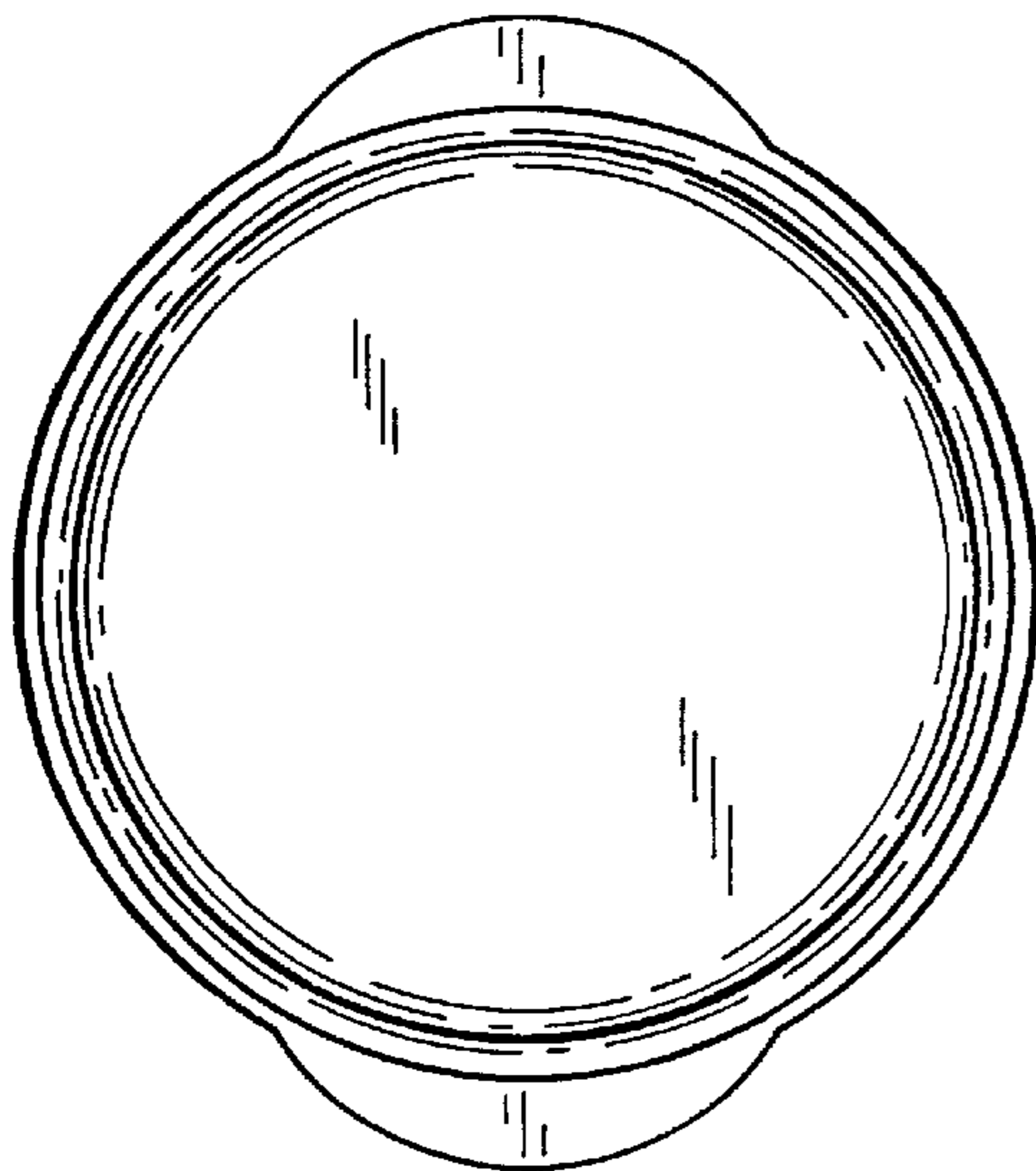


FIG. 9

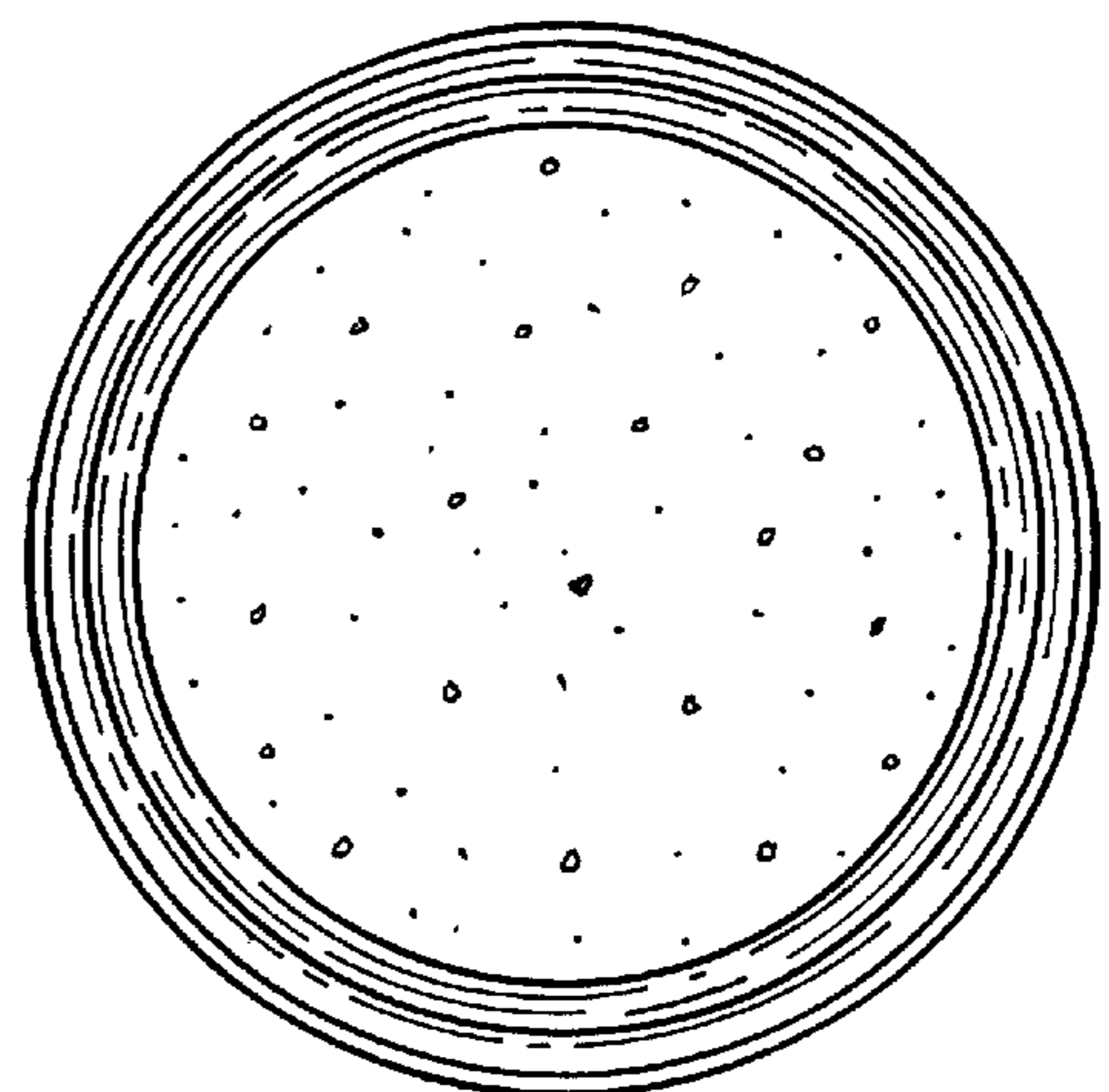


FIG. 10