



US00D447273B1

(12) **United States Design Patent**
Chen

(10) **Patent No.:** **US D447,273 S**

(45) **Date of Patent:** **** Aug. 28, 2001**

(54) **FLIP TOP LIGHTER**

OTHER PUBLICATIONS

(76) Inventor: **Peter Chen**, 11135 E. Rush St., Suite B, S. El Monte, CA (US) 91733

Blazer Pocket Micro Torch, 1993.*

(**) Term: **14 Years**

* cited by examiner

(21) Appl. No.: **29/115,139**

Primary Examiner—Alan P. Douglas

(22) Filed: **Dec. 9, 1999**

Assistant Examiner—Jennifer Rivard

(51) **LOC (7) Cl.** **27-05**

(74) *Attorney, Agent, or Firm*—Raymond Y. Chan; David and Raymond

(52) **U.S. Cl.** **D27/141; D27/154; D27/157**

(57) **CLAIM**

(58) **Field of Search** D27/139, 141–161;
431/253–255, 129, 132, 135, 138–143,
267

The ornamental design for a flip top lighter, as shown.

DESCRIPTION

(56) **References Cited**

FIG. 1 is a perspective view showing my new design.

U.S. PATENT DOCUMENTS

FIG. 2 is a front view thereof.

- D. 225,891 * 1/1973 Strzelczyk D27/157
- D. 231,012 * 3/1974 Paroty D27/157
- D. 297,269 * 8/1988 Yoshinaga D27/154
- D. 311,968 * 11/1990 Porsche D27/158
- D. 414,294 * 9/1999 Mashine et al. D27/154

FIG. 3 is a rear view thereof.

FIG. 4 is a left end view thereof.

FIG. 5 is a right view thereof.

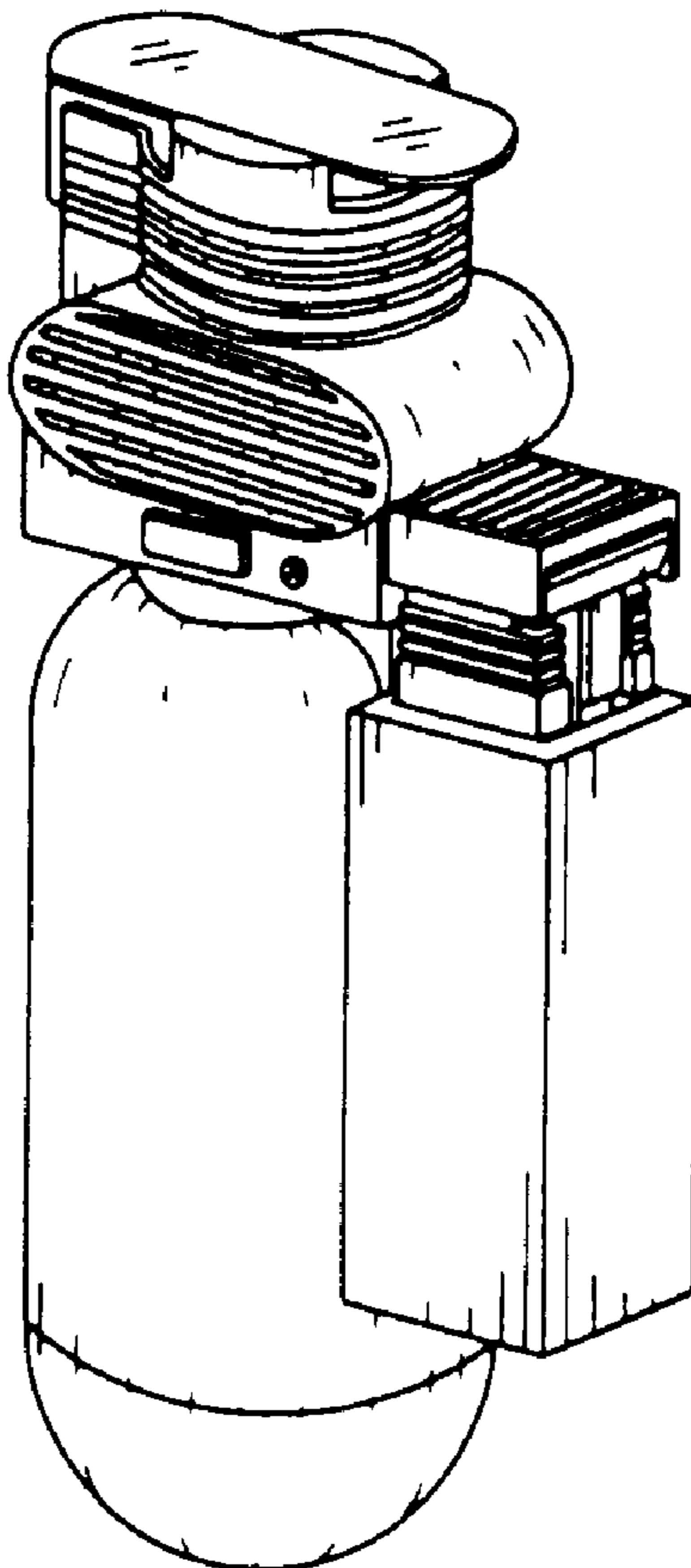
FIG. 6 is a top view thereof; and,

FIG. 7 is a bottom view thereof.

FOREIGN PATENT DOCUMENTS

- 808274 * 2/1991 (JP) D27/141

1 Claim, 7 Drawing Sheets



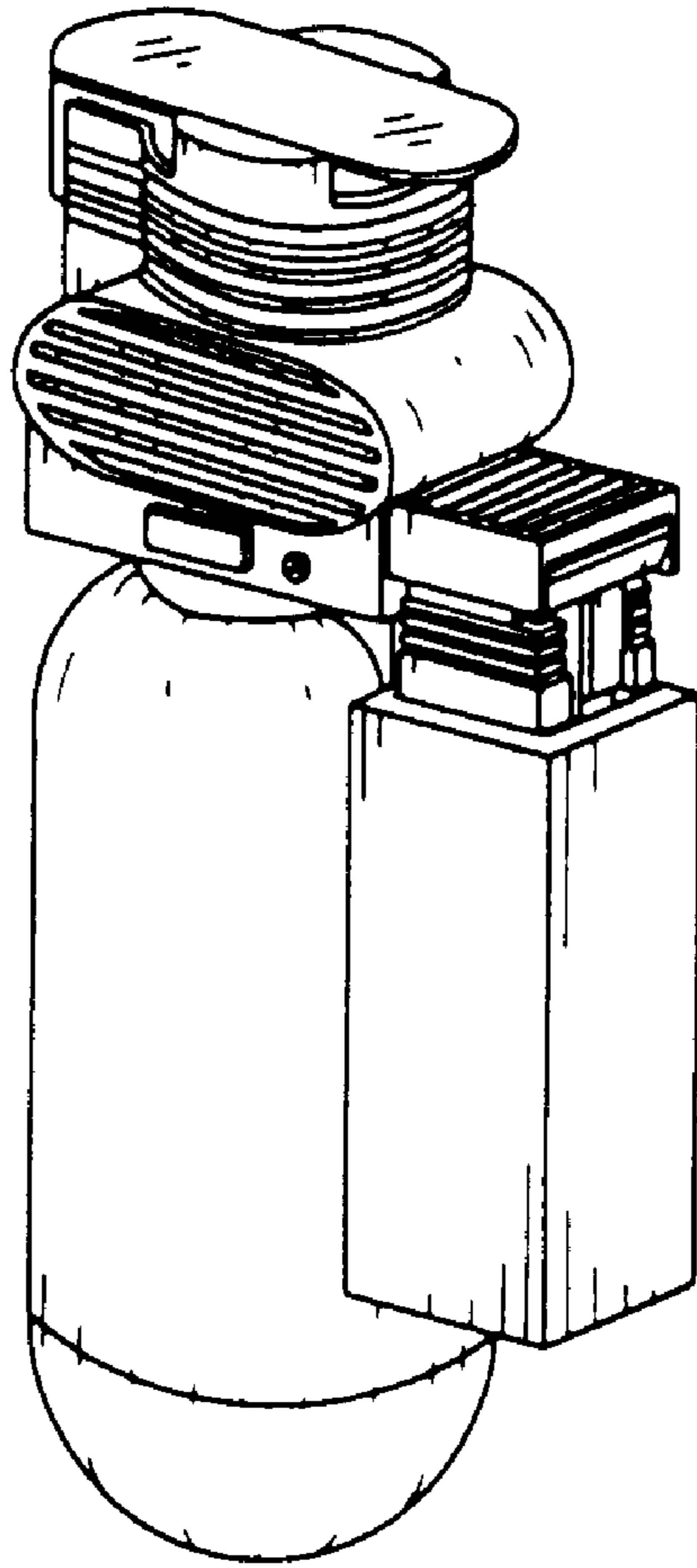


FIG. 1

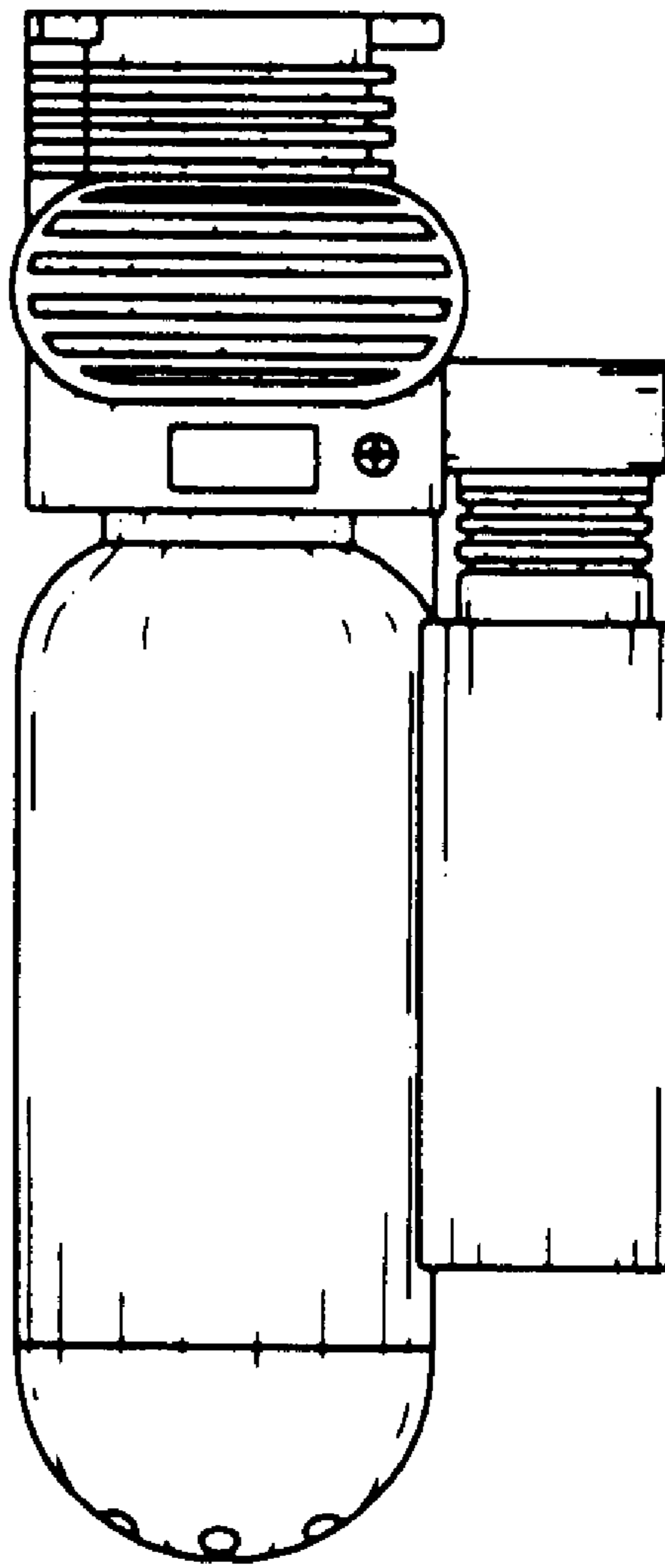


FIG.2

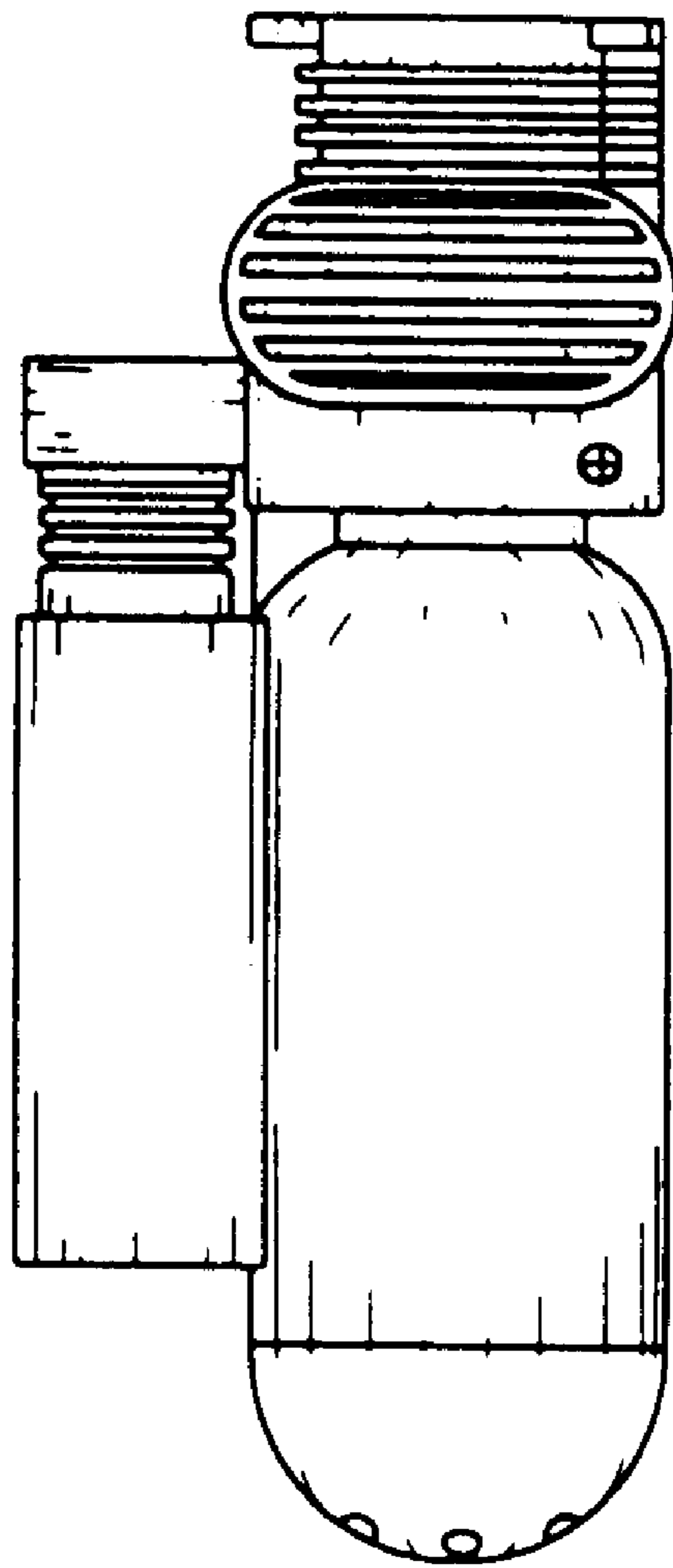


FIG.3

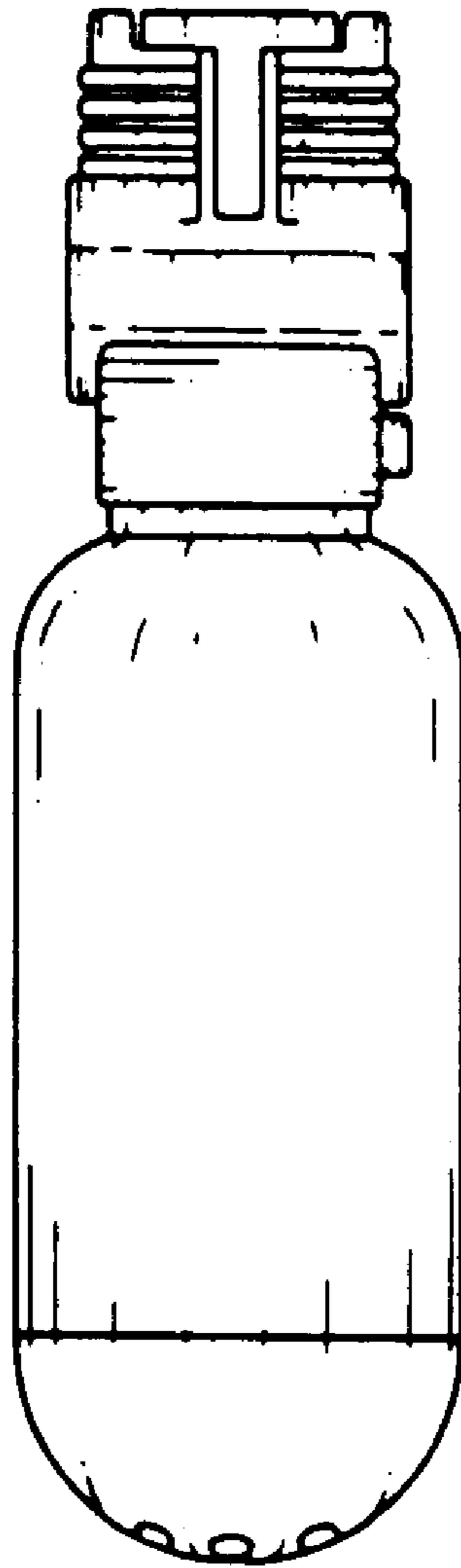


FIG.4

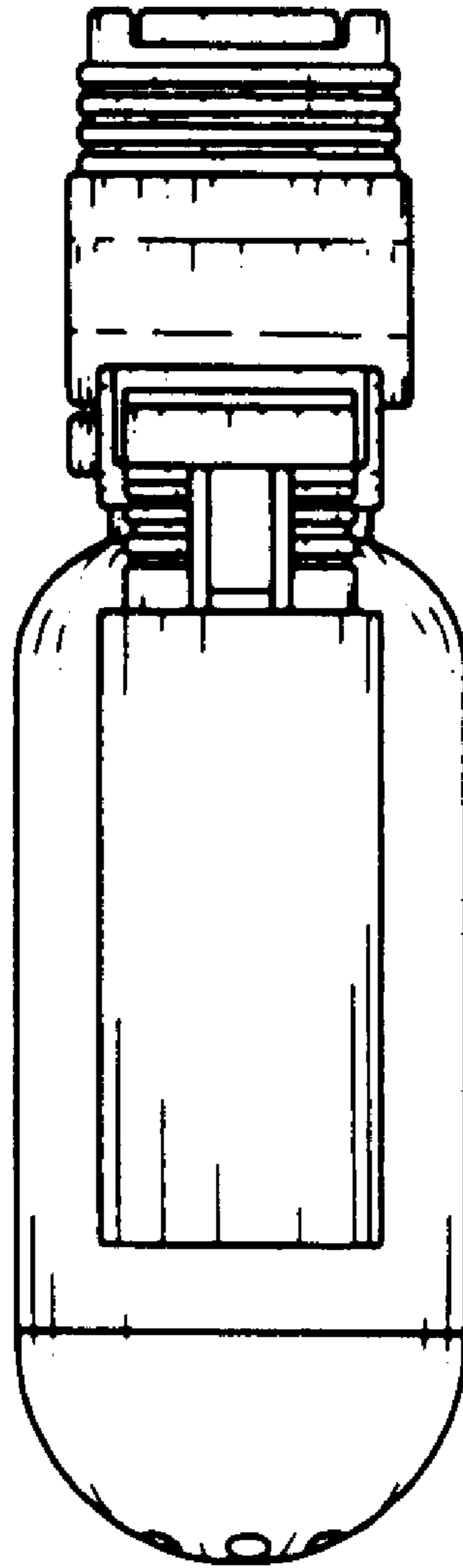


FIG.5

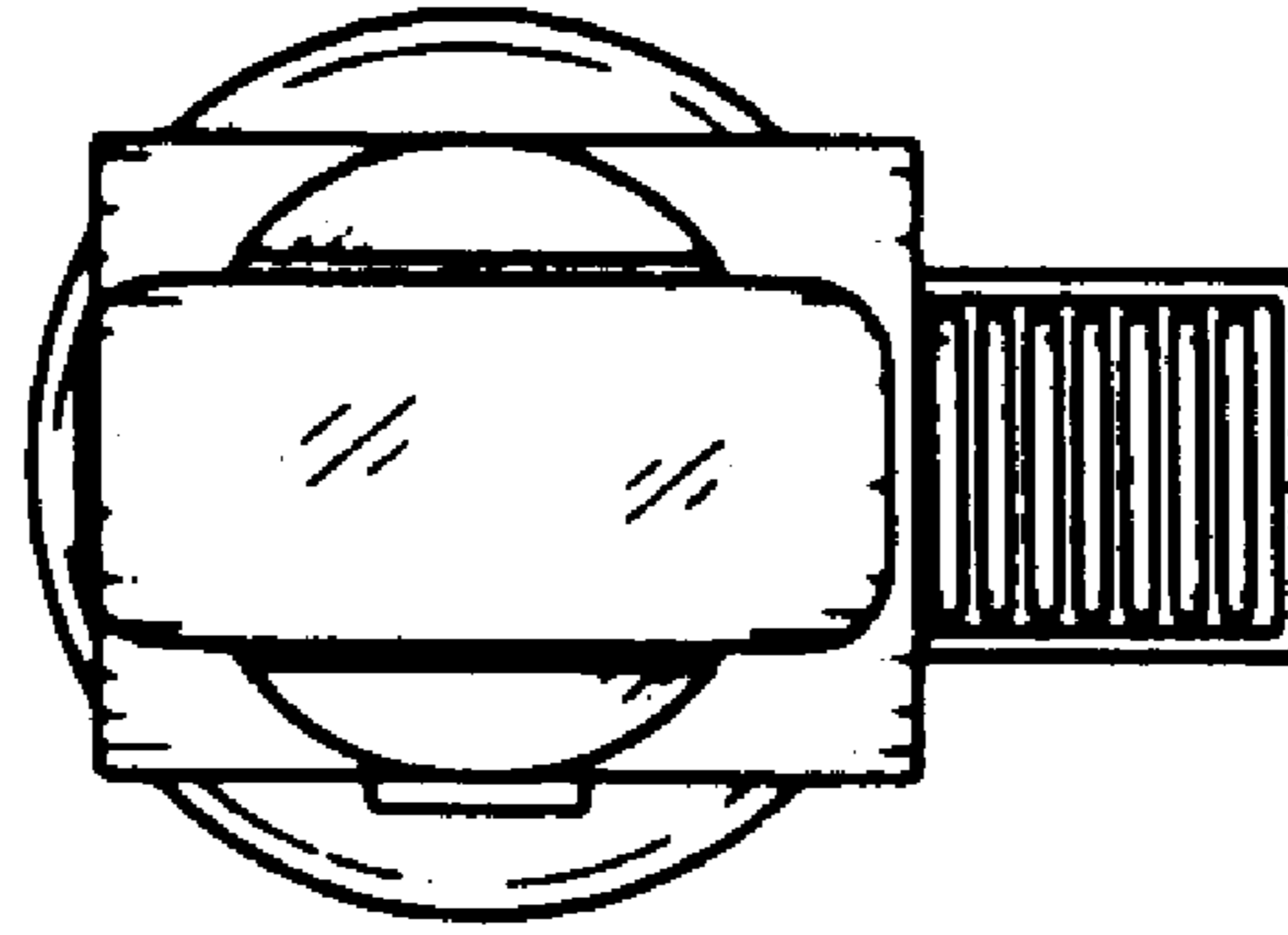


FIG.6

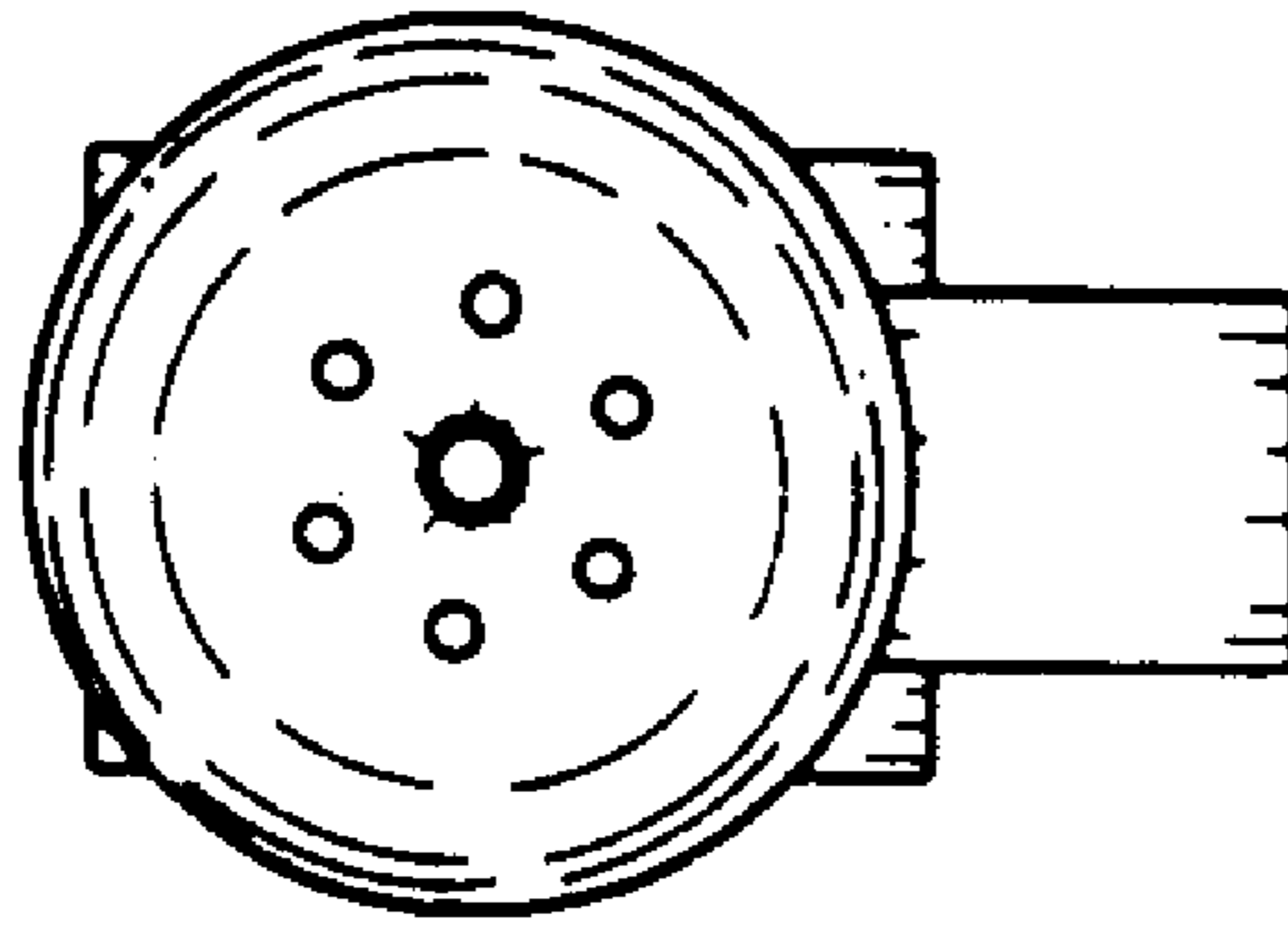


FIG. 7