



US00D447272B1

(12) **United States Design Patent**
Smith

(10) **Patent No.:** **US D447,272 S**

(45) **Date of Patent:** **** Aug. 28, 2001**

(54) **LIGHT REFLECTOR**

(75) Inventor: **Donald C. Smith**, Phoenix, AZ (US)

(73) Assignee: **Sunlight Supply, Inc.**, Vancouver, WA (US)

(**) Term: **14 Years**

(21) Appl. No.: **29/119,675**

(22) Filed: **Mar. 6, 2000**

(51) **LOC (7) Cl.** **26-05**

(52) **U.S. Cl.** **D26/118**

(58) **Field of Search** D26/118; 362/241,
362/344, 345, 346, 349

(56) **References Cited**

U.S. PATENT DOCUMENTS

D. 428,516 * 7/2000 Reo et al. D26/118
6,152,579 * 11/2000 Reed et al. 362/346

* cited by examiner

Primary Examiner—Susan J. Lucas

(74) *Attorney, Agent, or Firm*—Kolisch, Hartwell, Dickinson, McCormack & Heuser

(57) **CLAIM**

The ornamental design for a light reflector, as shown and described.

DESCRIPTION

FIG. 1 is an isometric view of a light reflector constructed in accordance with the present invention, a lighting fixture being shown in dashed lines as environment;

FIG. 2 is a plan view of the light reflector depicted in FIG. 1;

FIG. 3 is sectional view of the invented light reflector, the section being taken along lines 3—3 of FIG. 2;

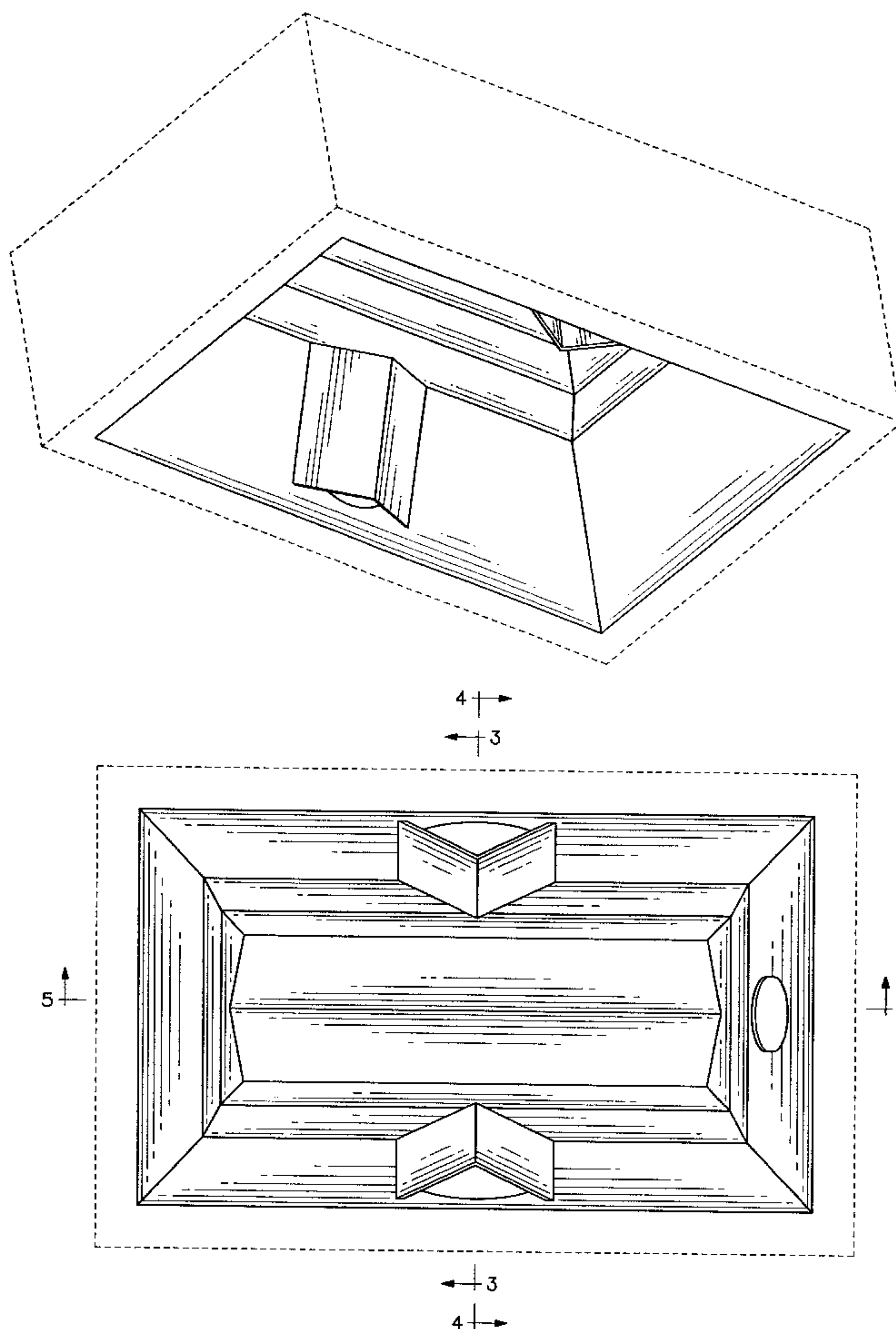
FIG. 4 is a sectional view of the invented light reflector, the section being taken along lines 4—4 of FIG. 2;

FIG. 5 is a sectional view of the invented light reflector, the section being taken along lines 5—5 of FIG. 2;

FIG. 6 is a plan view similar to FIG. 2, but showing holes in the light reflector in dashed lines to indicate that such openings are environment; and,

FIG. 7 is a plan view similar to FIG. 2, but showing holes and hole covers in dashed lines to indicate that such features are environment.

1 Claim, 5 Drawing Sheets



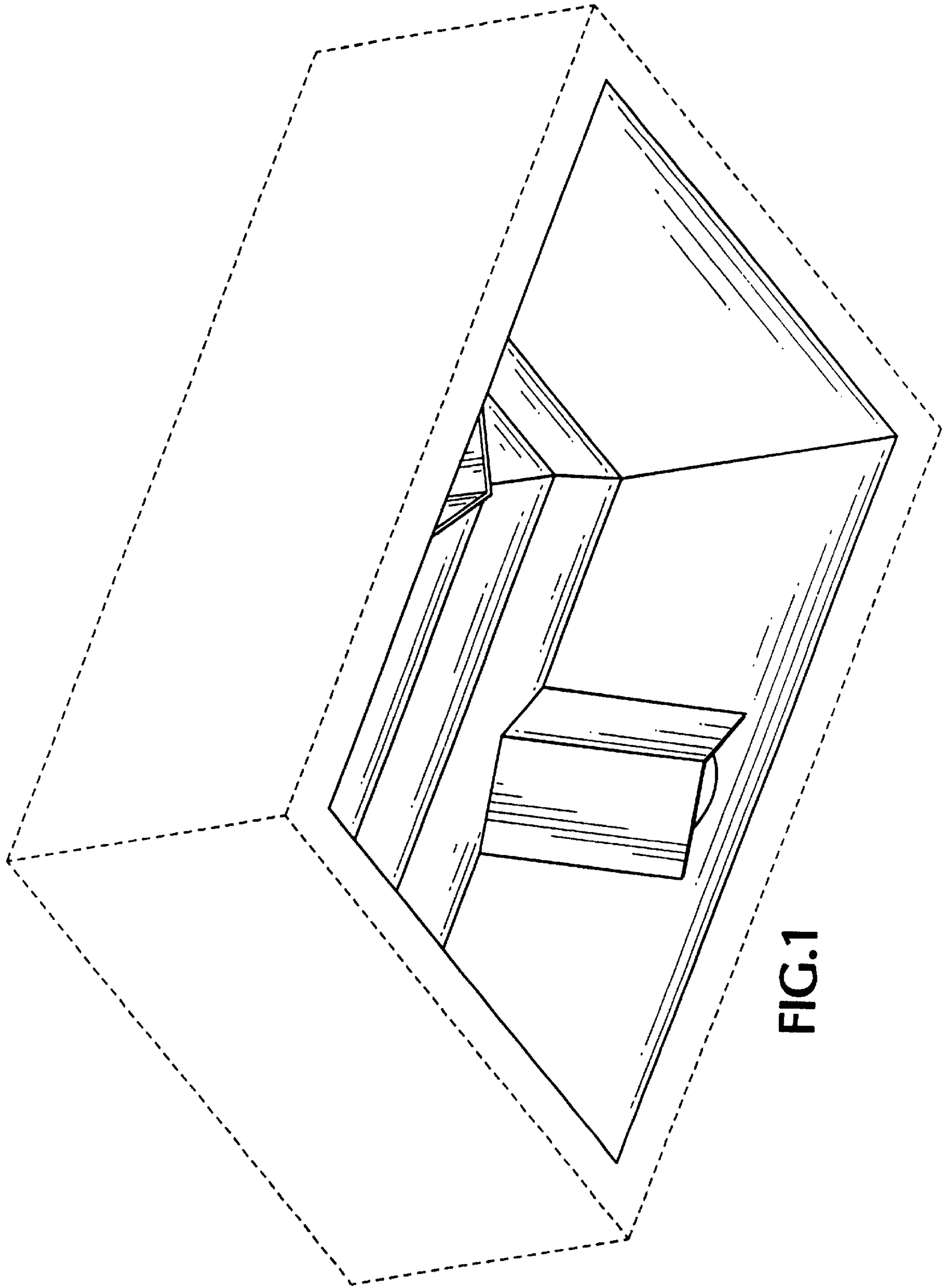


FIG.1

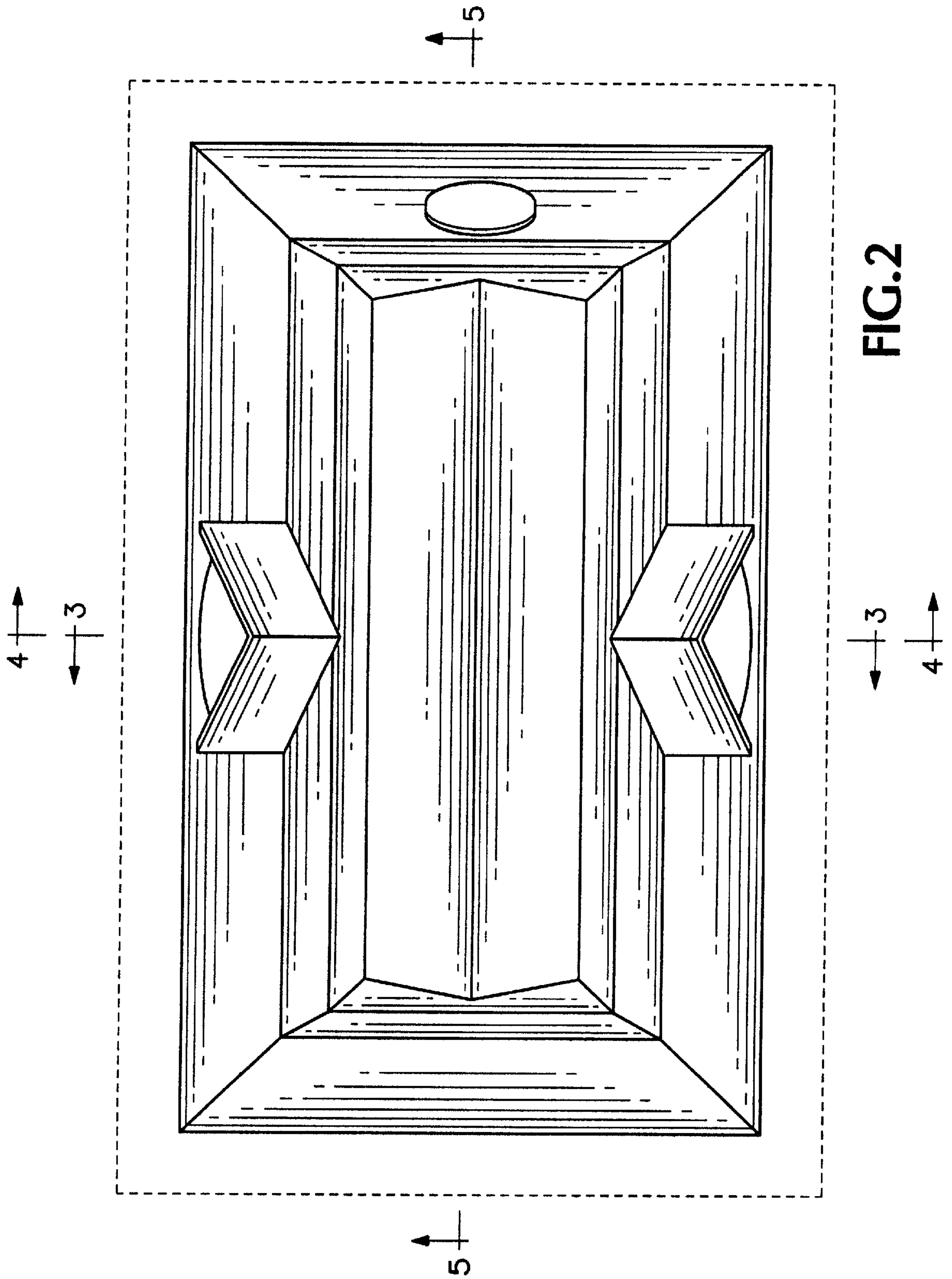


FIG. 2

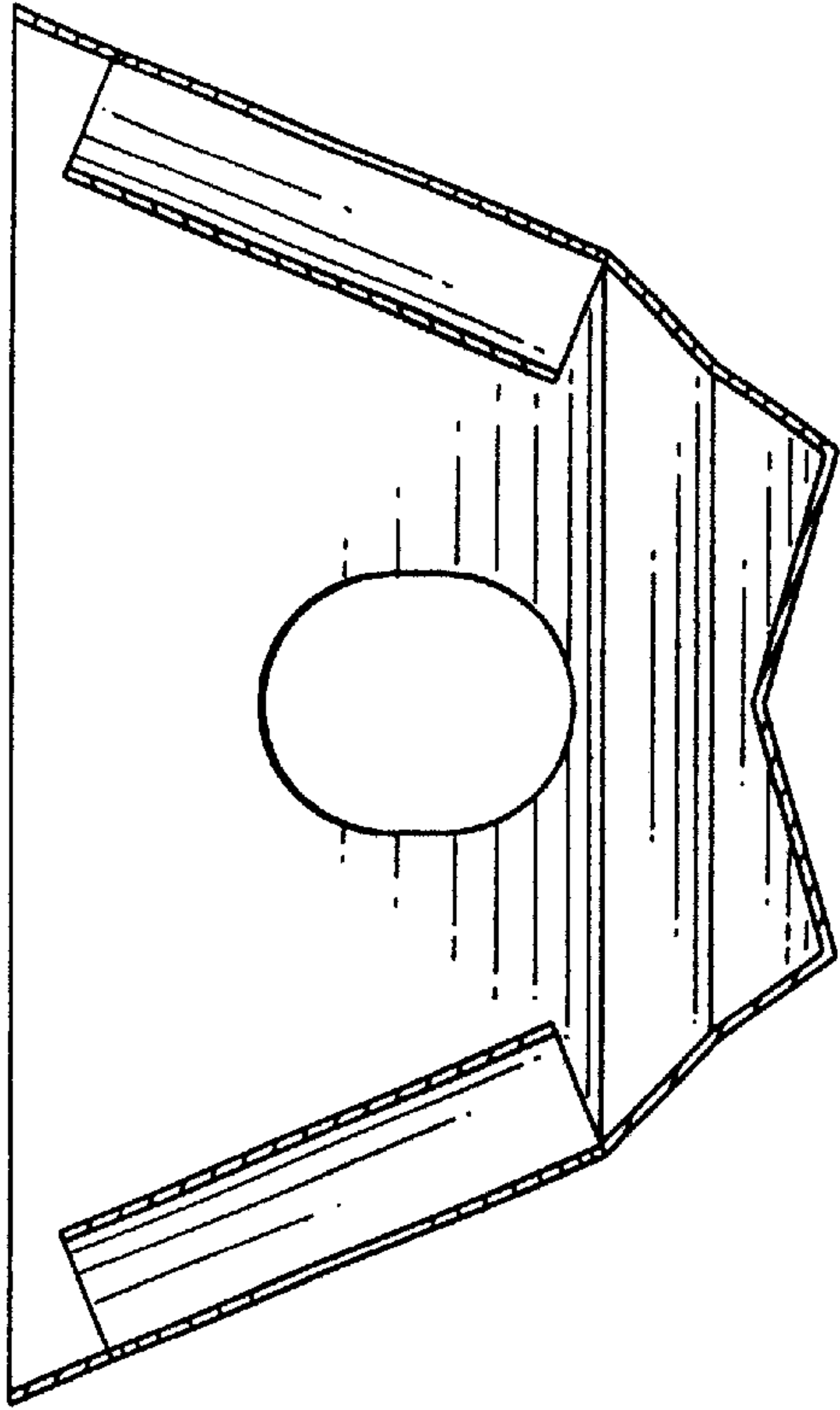


FIG. 4

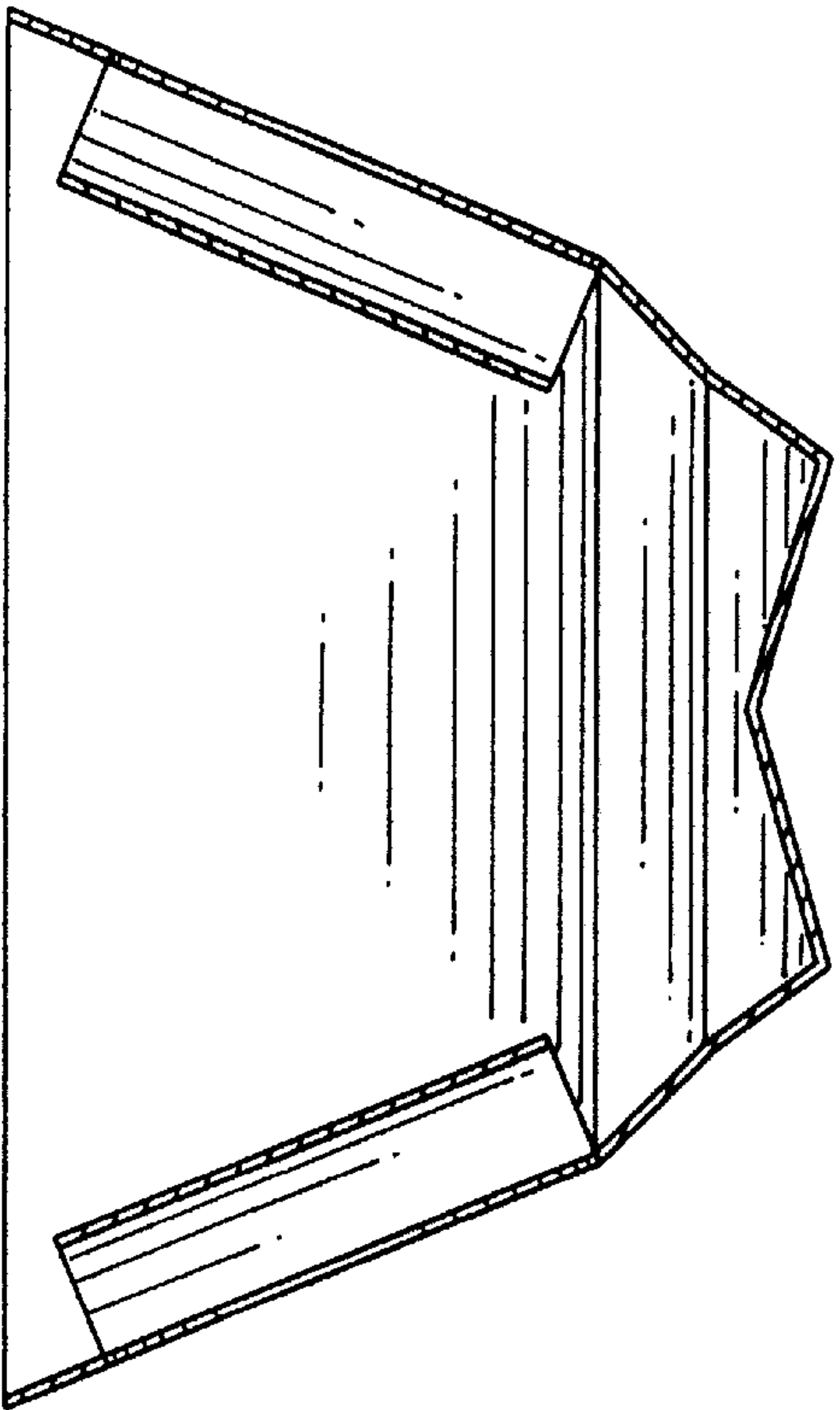


FIG. 3

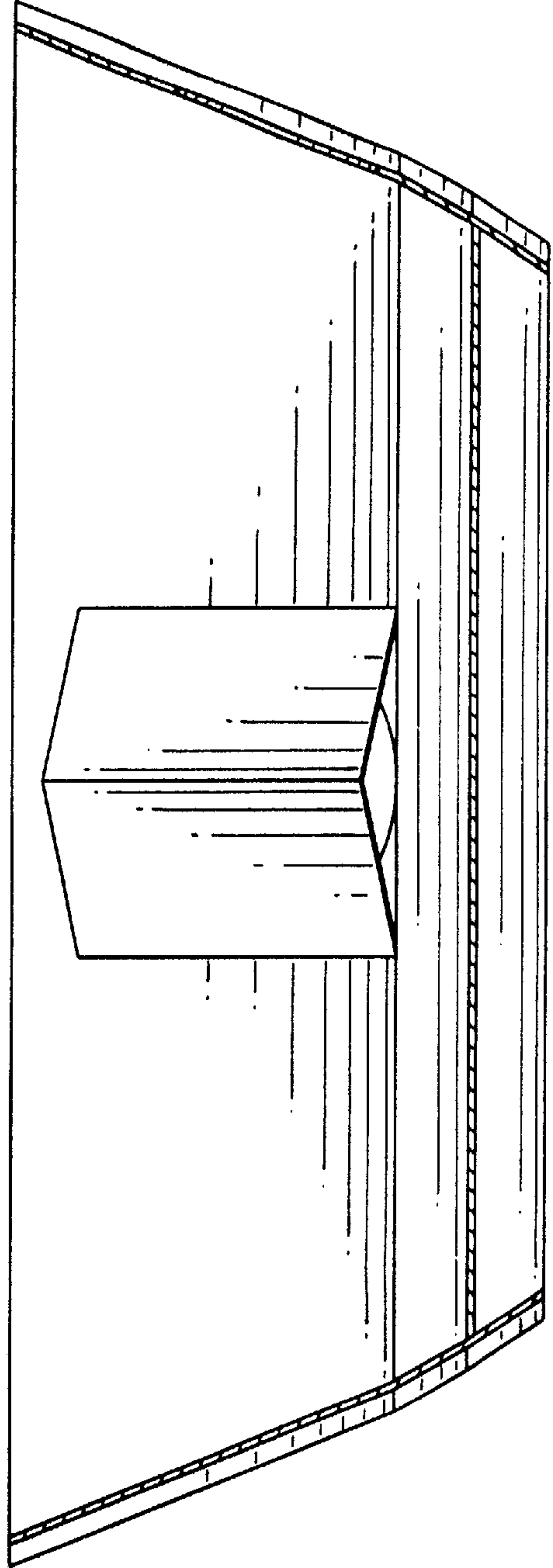


FIG. 5

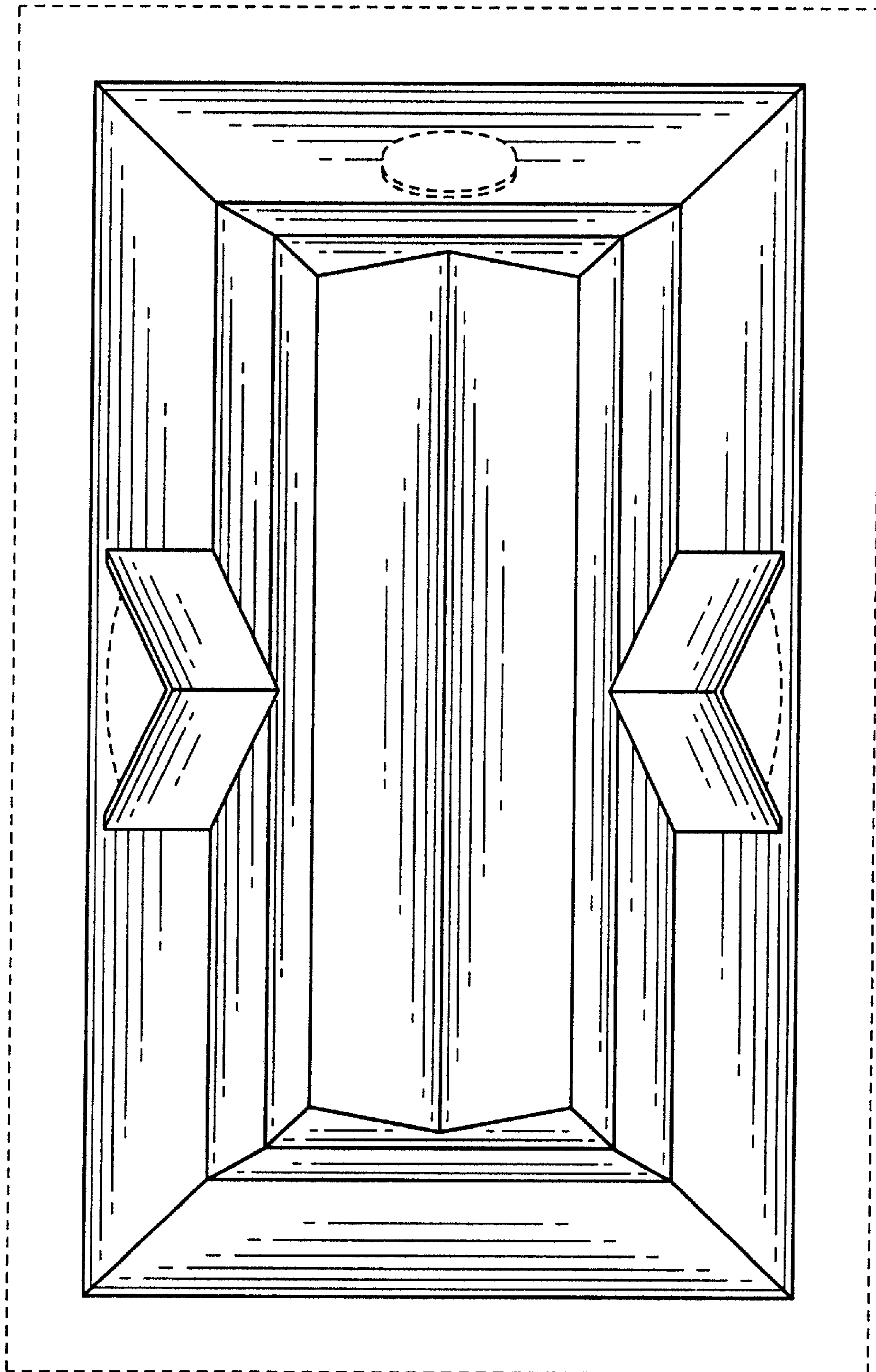


FIG.6

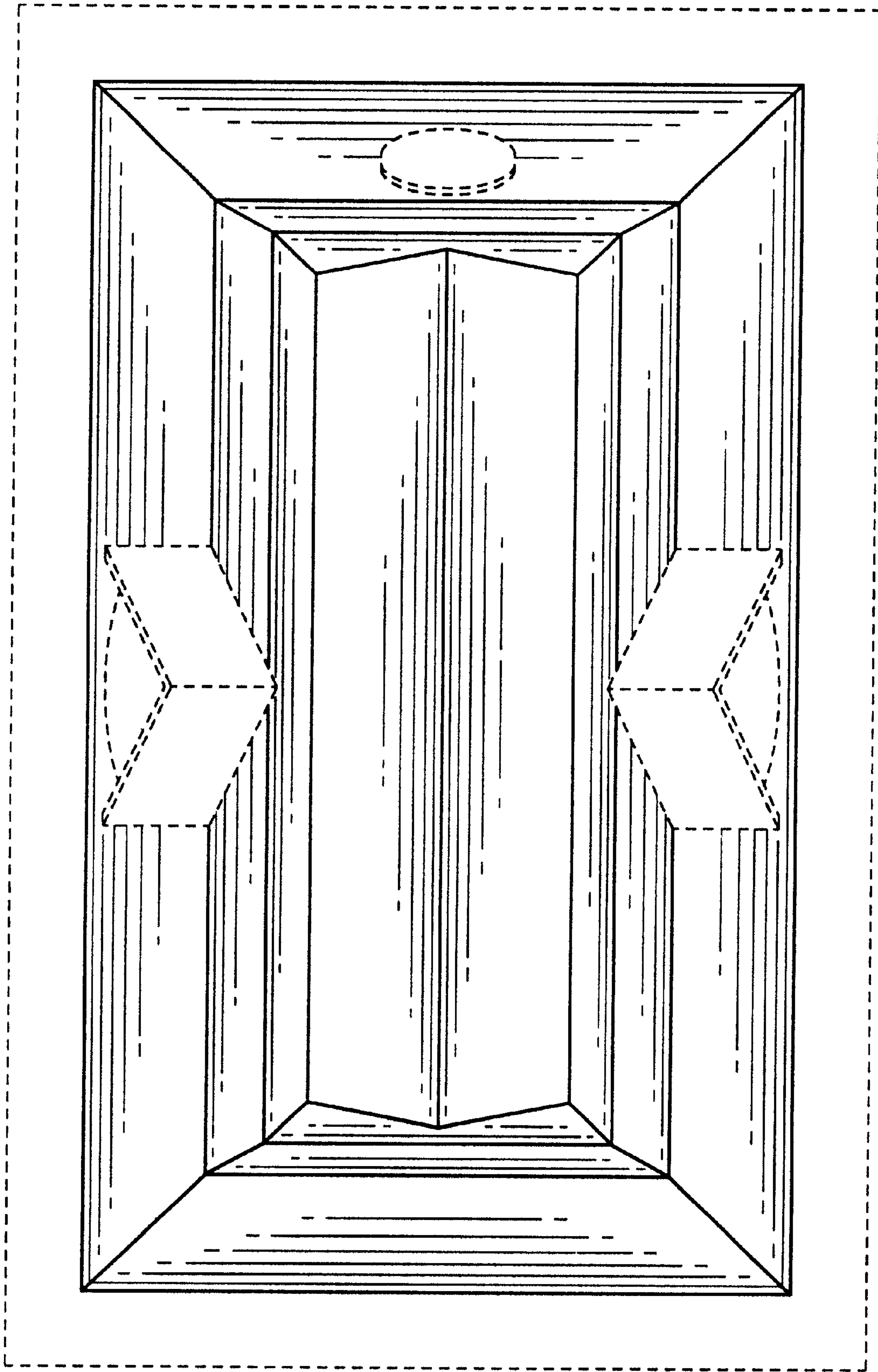


FIG.7