



US00D447270B1

(12) **United States Design Patent**  
**Orozco**

(10) **Patent No.:** **US D447,270 S**

(45) **Date of Patent:** **\*\* Aug. 28, 2001**

(54) **LAMP**

(75) **Inventor:** **Sergio J. Orozco**, West New York, NJ (US)

(73) **Assignee:** **Quoizel, Inc.**, Goose Creek, SC (US)

(\*\*) **Term:** **14 Years**

(21) **Appl. No.:** **29/131,535**

(22) **Filed:** **Oct. 24, 2000**

(51) **LOC (7) Cl.** ..... **26-03**

(52) **U.S. Cl.** ..... **D26/99**

(58) **Field of Search** ..... D26/92-112, 142;  
362/410-414, 806

(56) **References Cited**

**U.S. PATENT DOCUMENTS**

- D. 38,459 \* 2/1907 Howell ..... D26/100
- D. 38,461 \* 2/1907 Howell ..... D26/111
- D. 73,367 \* 8/1927 Cassidy ..... D26/107 X

**OTHER PUBLICATIONS**

Item No. 50-595 SI, Catalog p. 57, Minoff by Kichler catalog No. 799, 1999.

Item Nos. 8713 PW and 8714 PW, Catalog p. 234, Murray Feiss catalog.

\* cited by examiner

*Primary Examiner*—Alan P. Douglas

*Assistant Examiner*—Linda Brooks

(74) *Attorney, Agent, or Firm*—Nelson Mullins Riley & Scarborough

(57) **CLAIM**

The ornamental design for a lamp, substantially as shown and described.

**DESCRIPTION**

FIG. 1 is a perspective view of a lamp embodying the design of the present invention.

FIG. 2 is a front side elevational view of the lamp illustrated in FIG. 1.

FIG. 3 is a right side elevational view of the lamp of FIG. 1, with the left side elevational view being identical thereto.

FIG. 4 is a back side elevational view of the lamp of FIG. 1.

FIG. 5 is a top view of the lamp of FIG. 1; and,

FIG. 6 is a bottom view of the lamp of FIG. 1.

The lamp shade shown in broken lines does not form a part of the claimed design.

**1 Claim, 5 Drawing Sheets**

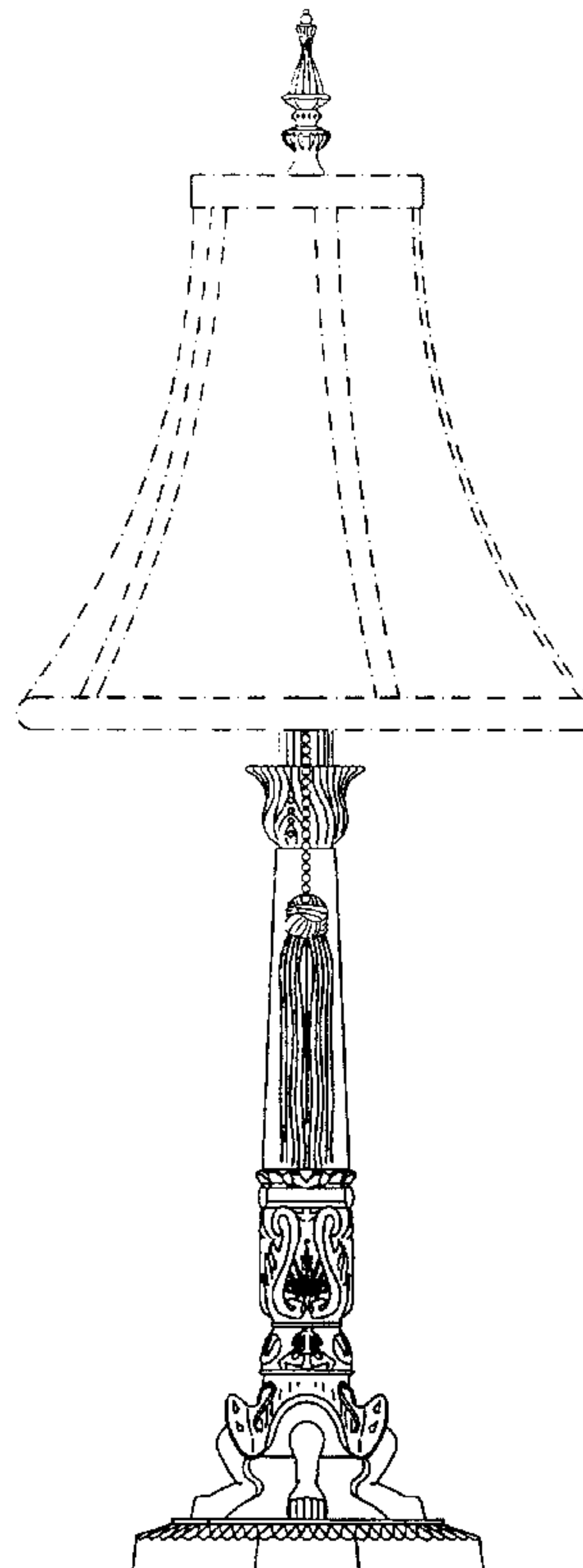
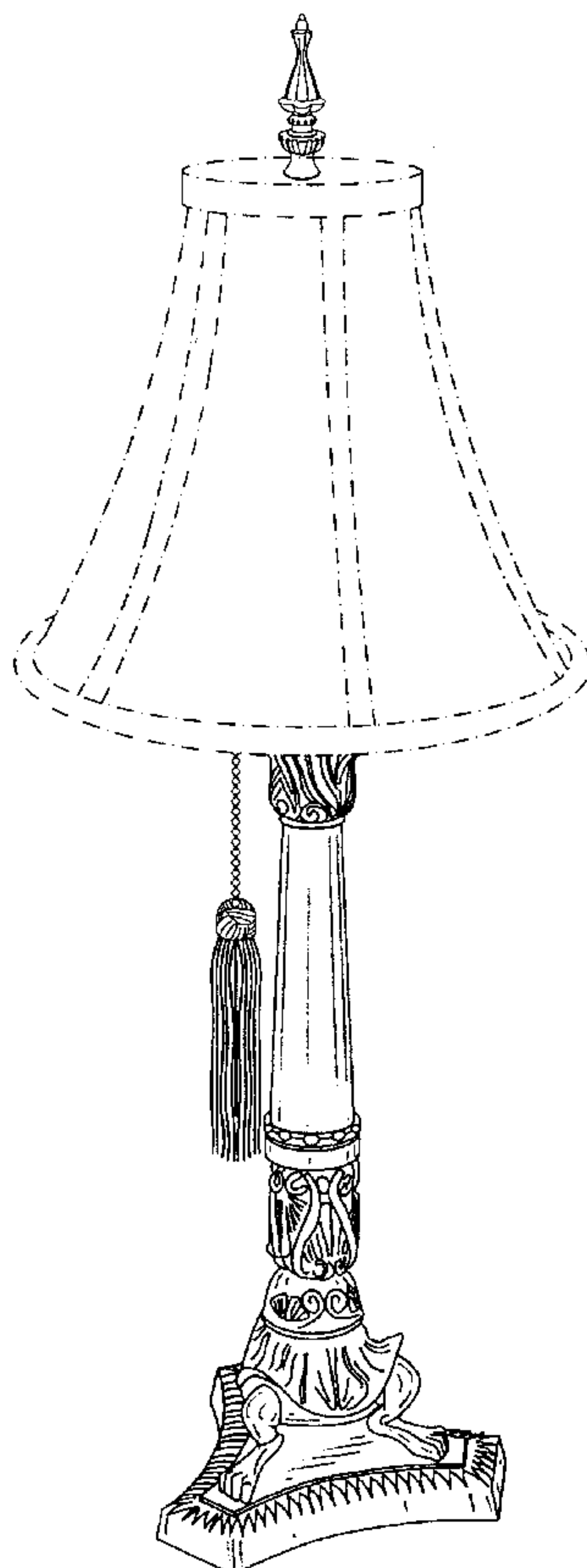


FIG. 1

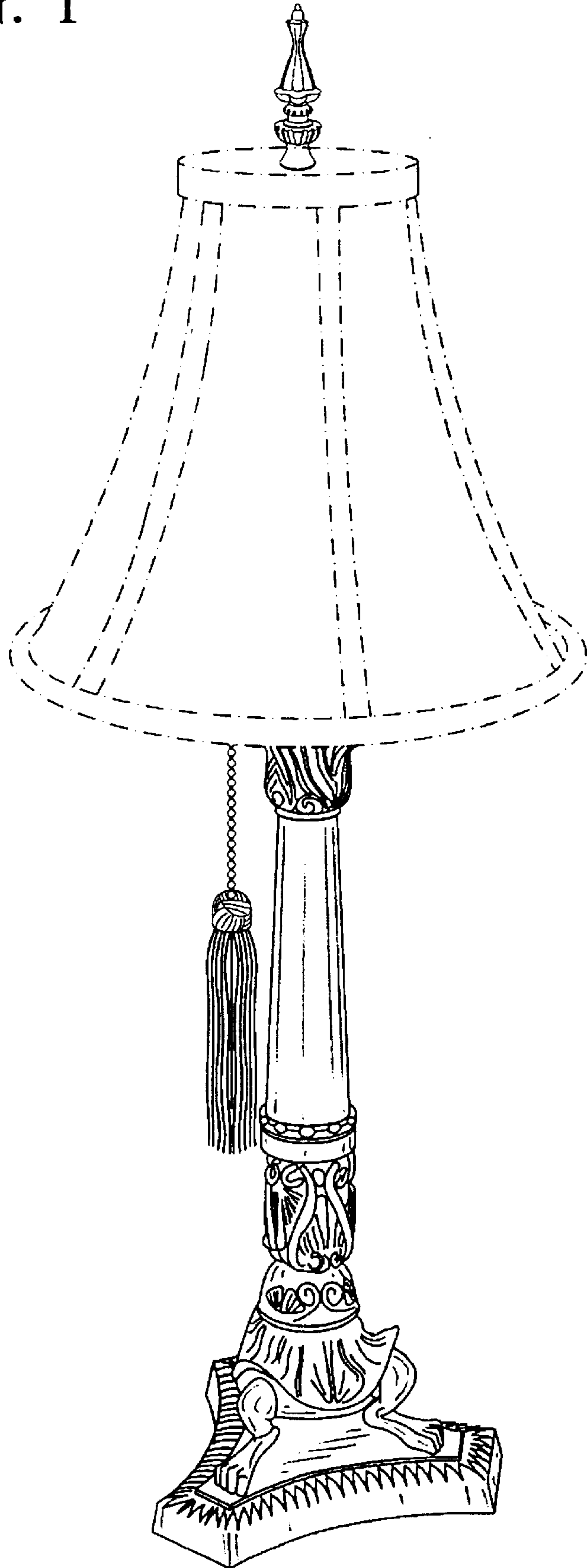


FIG. 2

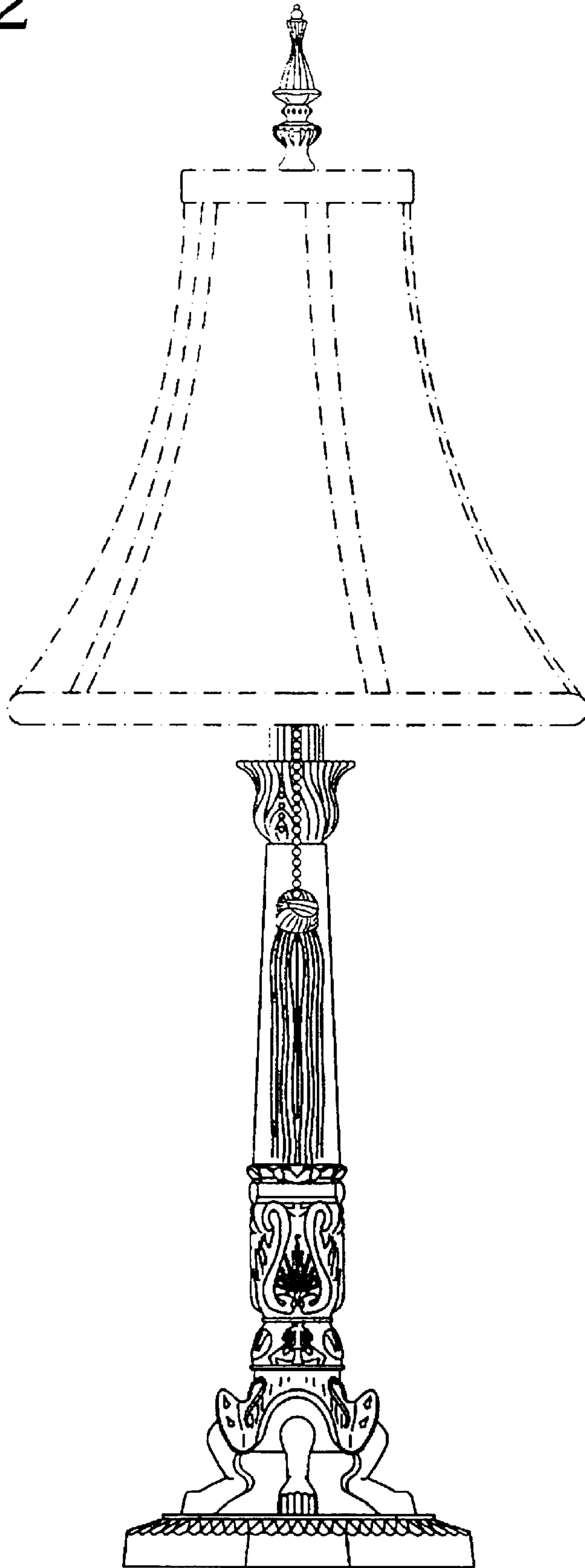


FIG. 3

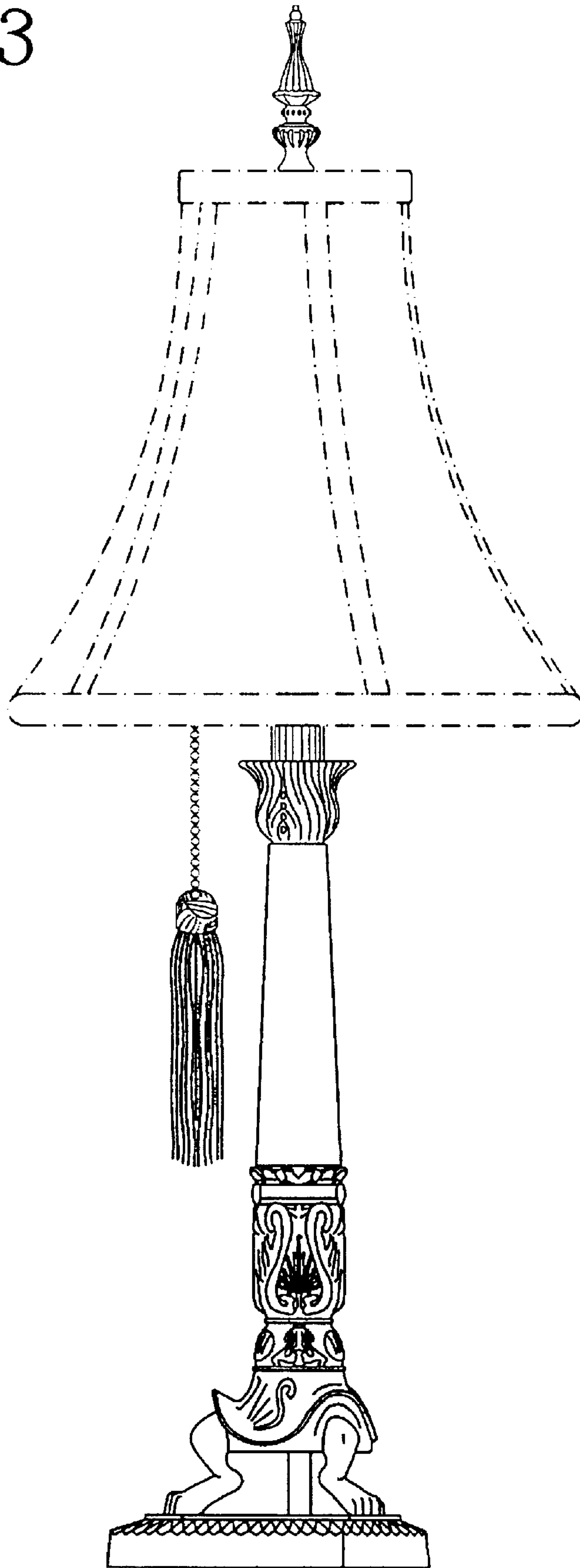


FIG. 4

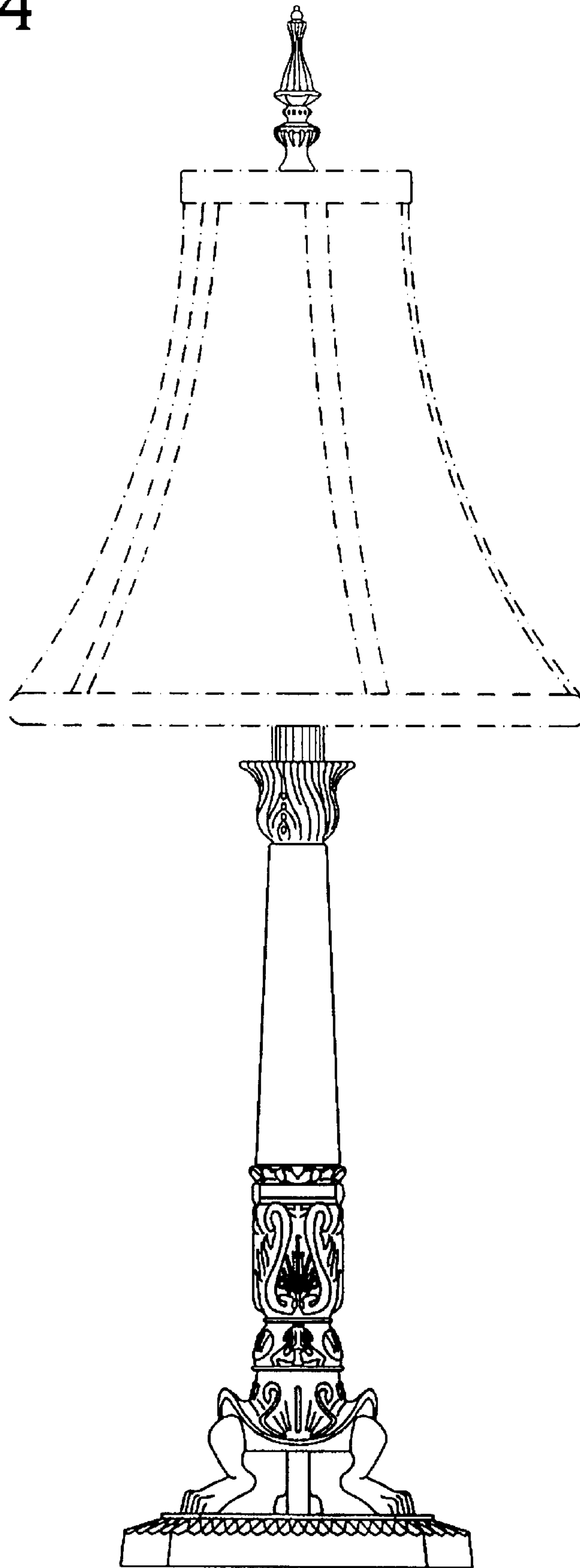


FIG. 5

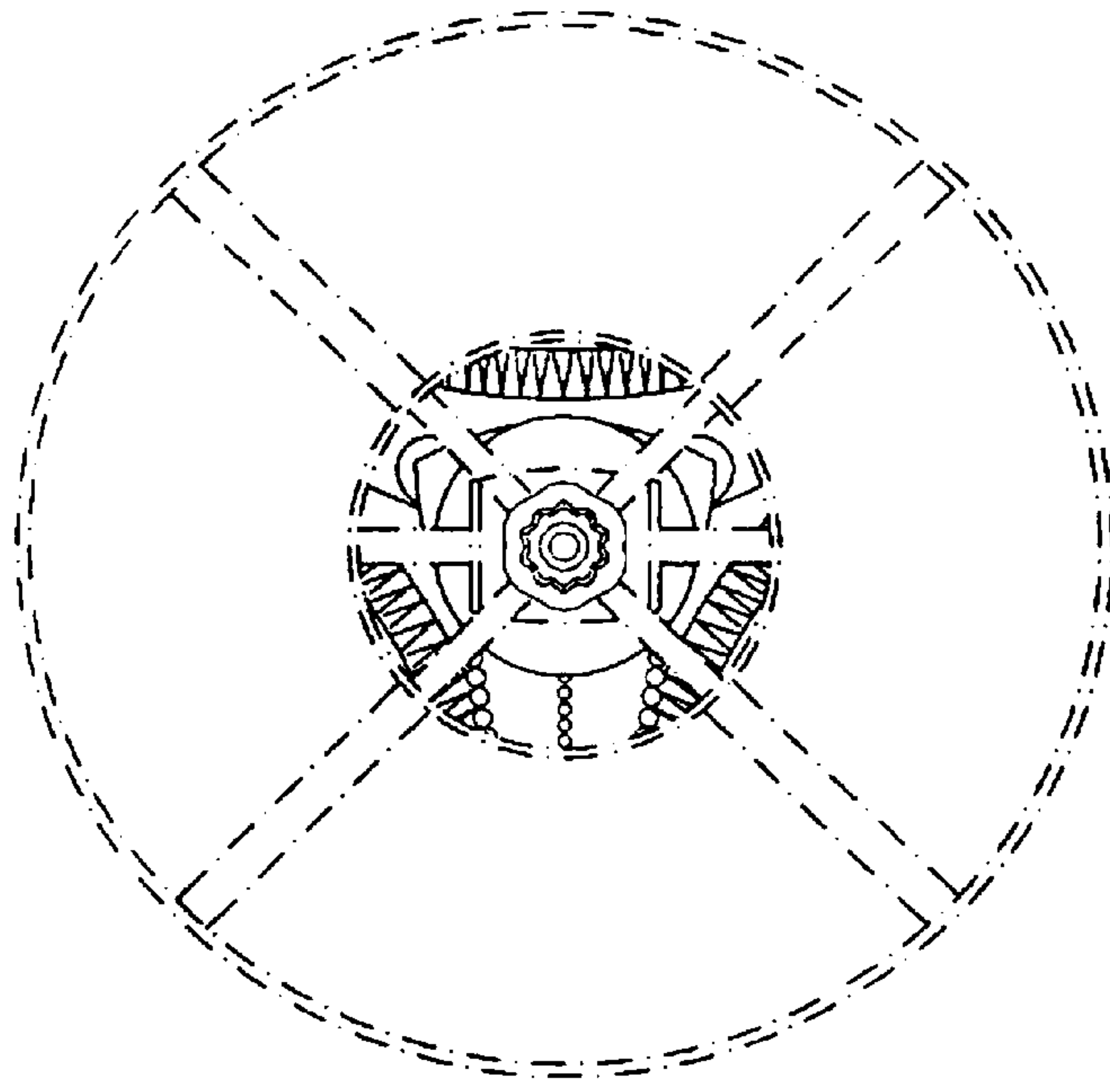


FIG. 6

