



US00D447267B1

(12) **United States Design Patent**
Hsu

(10) **Patent No.:** **US D447,267 S**

(45) **Date of Patent:** **** Aug. 28, 2001**

(54) **PENDENT LAMP**

(75) Inventor: **Peter Hsu**, Taichung (TW)

(73) Assignee: **Whole Bright Industries Ltd.**, Chai Wan (HK)

(**) Term: **14 Years**

(21) Appl. No.: **29/123,614**

(22) Filed: **May 23, 2000**

(51) **LOC (7) Cl.** **26-05**

(52) **U.S. Cl.** **D26/85**

(58) **Field of Search** D26/72, 80-92;
362/147, 404-408, 432

(56) **References Cited**

U.S. PATENT DOCUMENTS

- D. 430,690 * 9/2000 Miranda D26/84
- D. 431,090 * 9/2000 Hsieh D26/85
- D. 431,665 * 10/2000 Hsieh D26/85

OTHER PUBLICATIONS

Murray Feiss lighting catalog, 13-1995, ceiling lamp # F1539/3 VG, p. FX 68.*

* cited by examiner

Primary Examiner—Susan J. Lucas

(74) *Attorney, Agent, or Firm*—Rosenberg, Klein & Lee

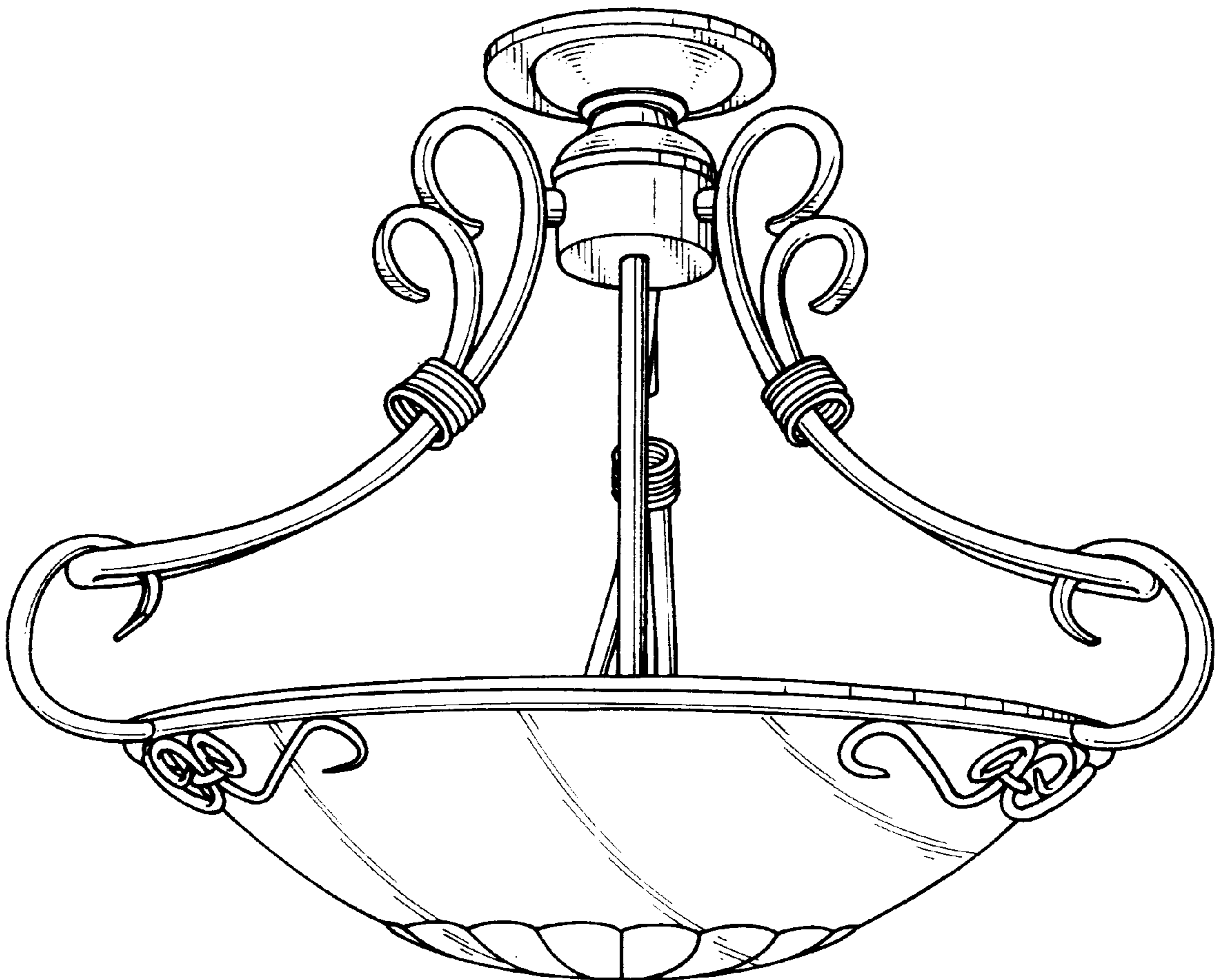
(57) **CLAIM**

The ornamental design for a pendent lamp, as shown and described.

DESCRIPTION

FIG. 1 is a perspective view of pendant lamp showing my new design;
 FIG. 2 is a front elevation view thereof;
 FIG. 3 is a rear elevation view thereof;
 FIG. 4 is a left side elevation view thereof;
 FIG. 5 is a right side elevation view thereof;
 FIG. 6 is a top plan view thereof; and,
 FIG. 7 is a bottom plan view thereof.

1 Claim, 4 Drawing Sheets



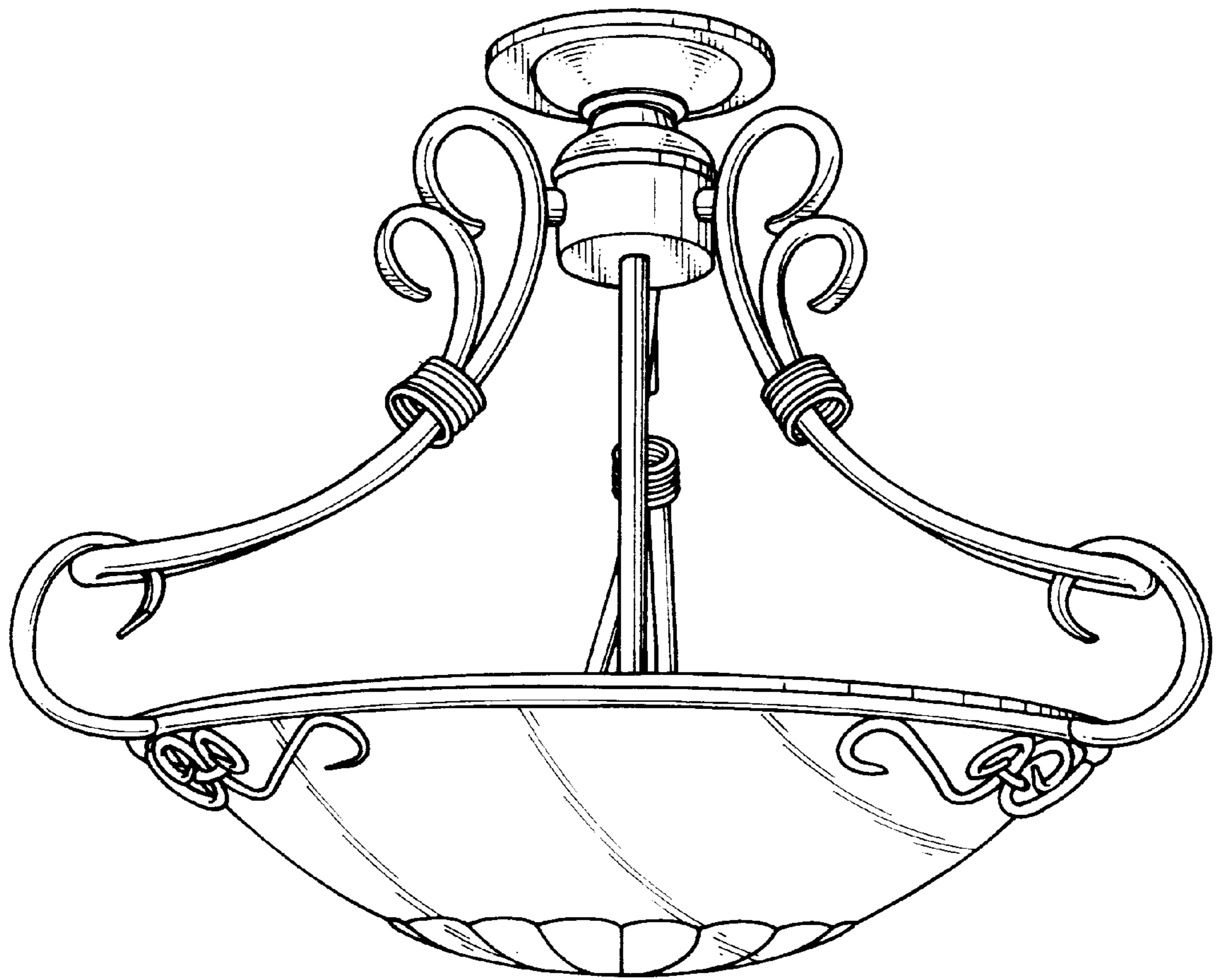


FIG. 1

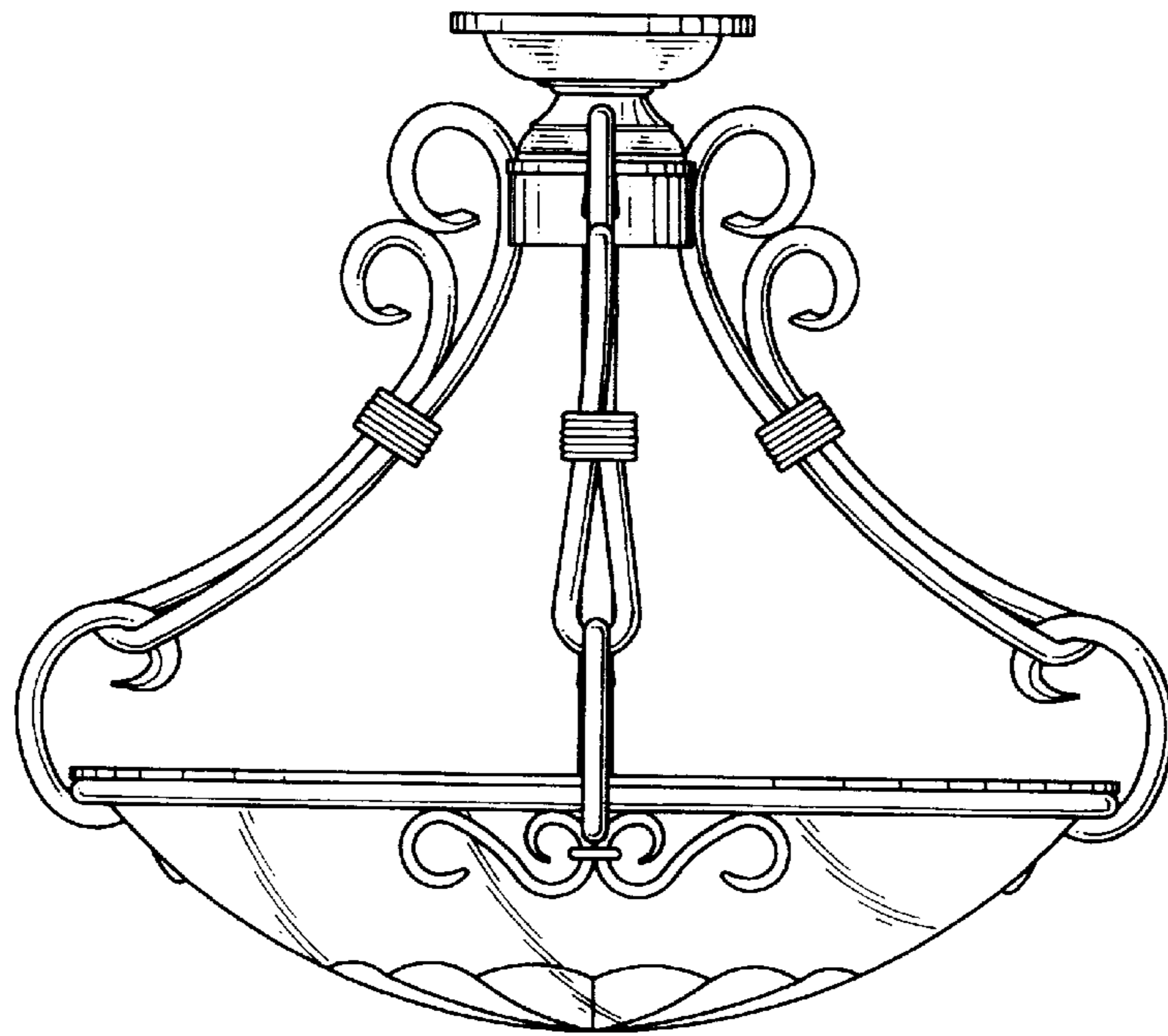


FIG. 2

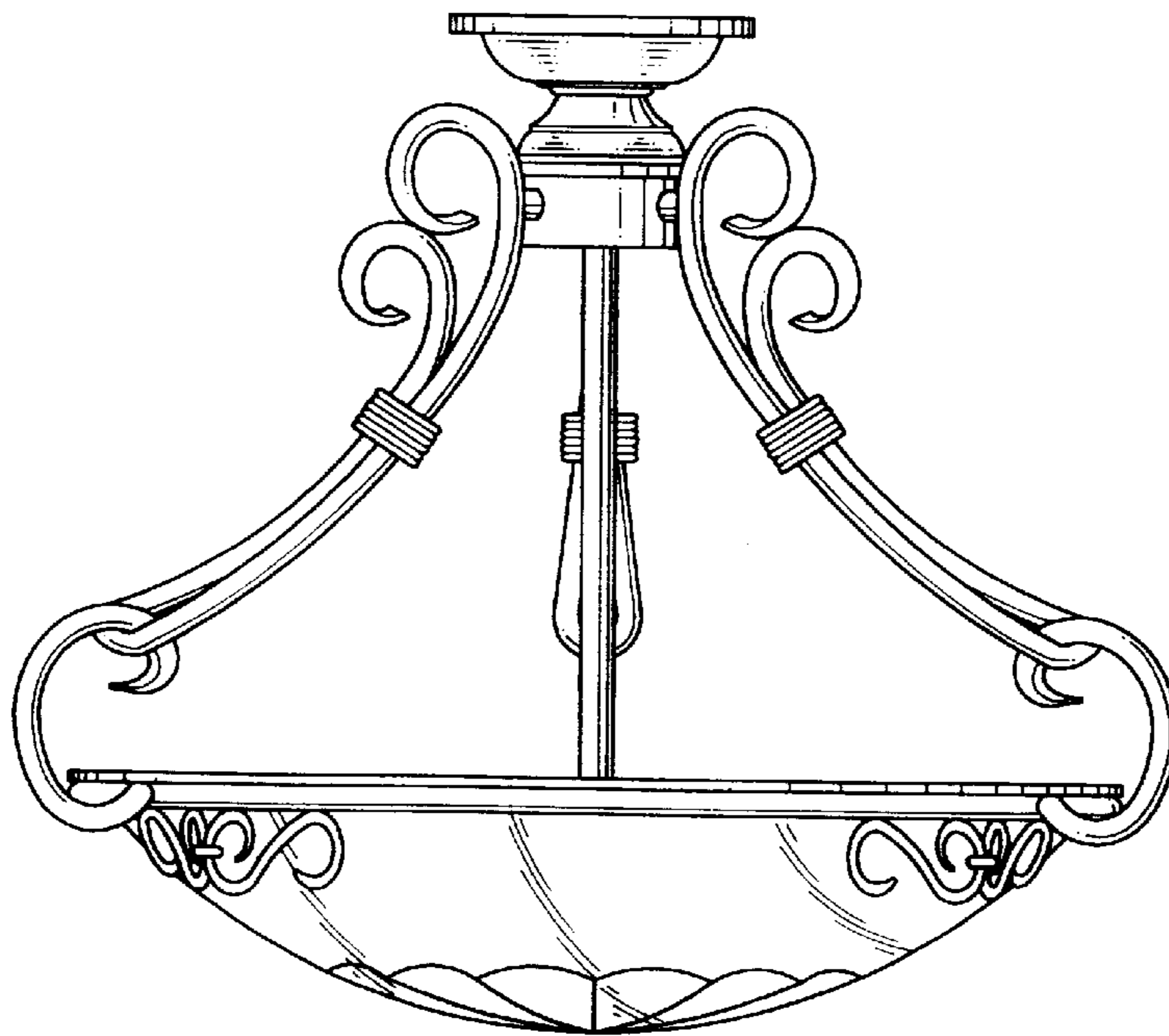


FIG. 3

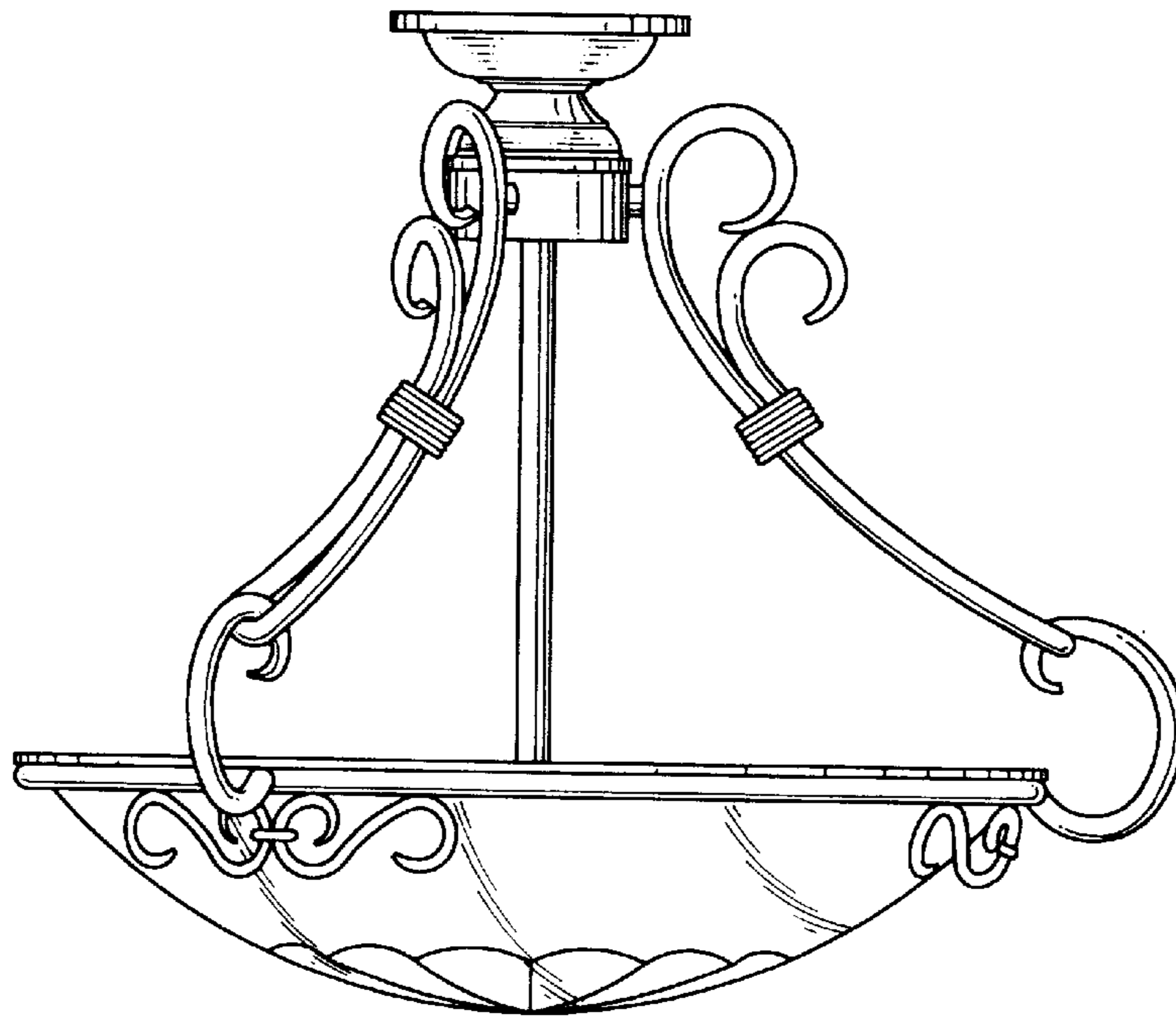


FIG. 4

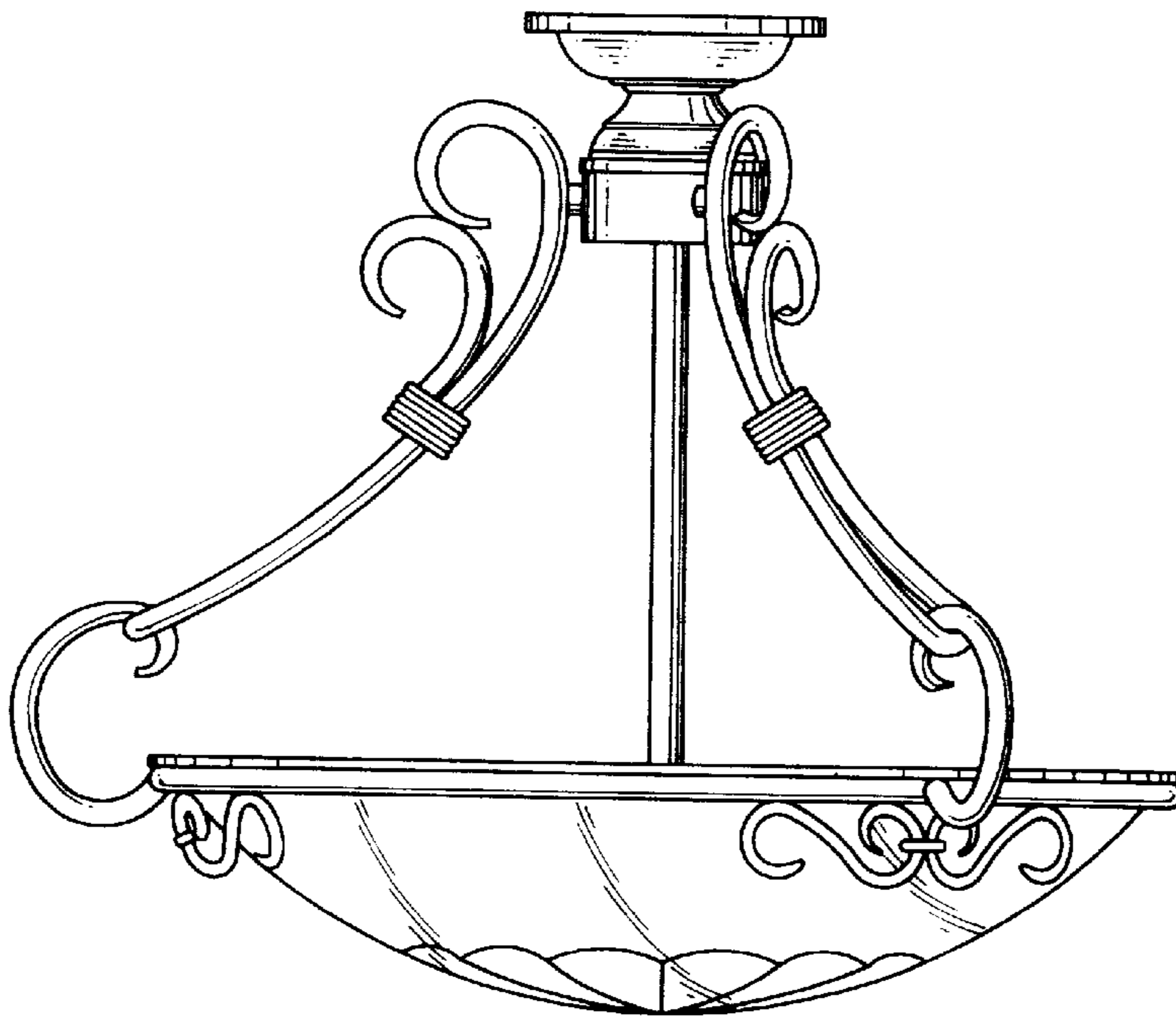


FIG. 5

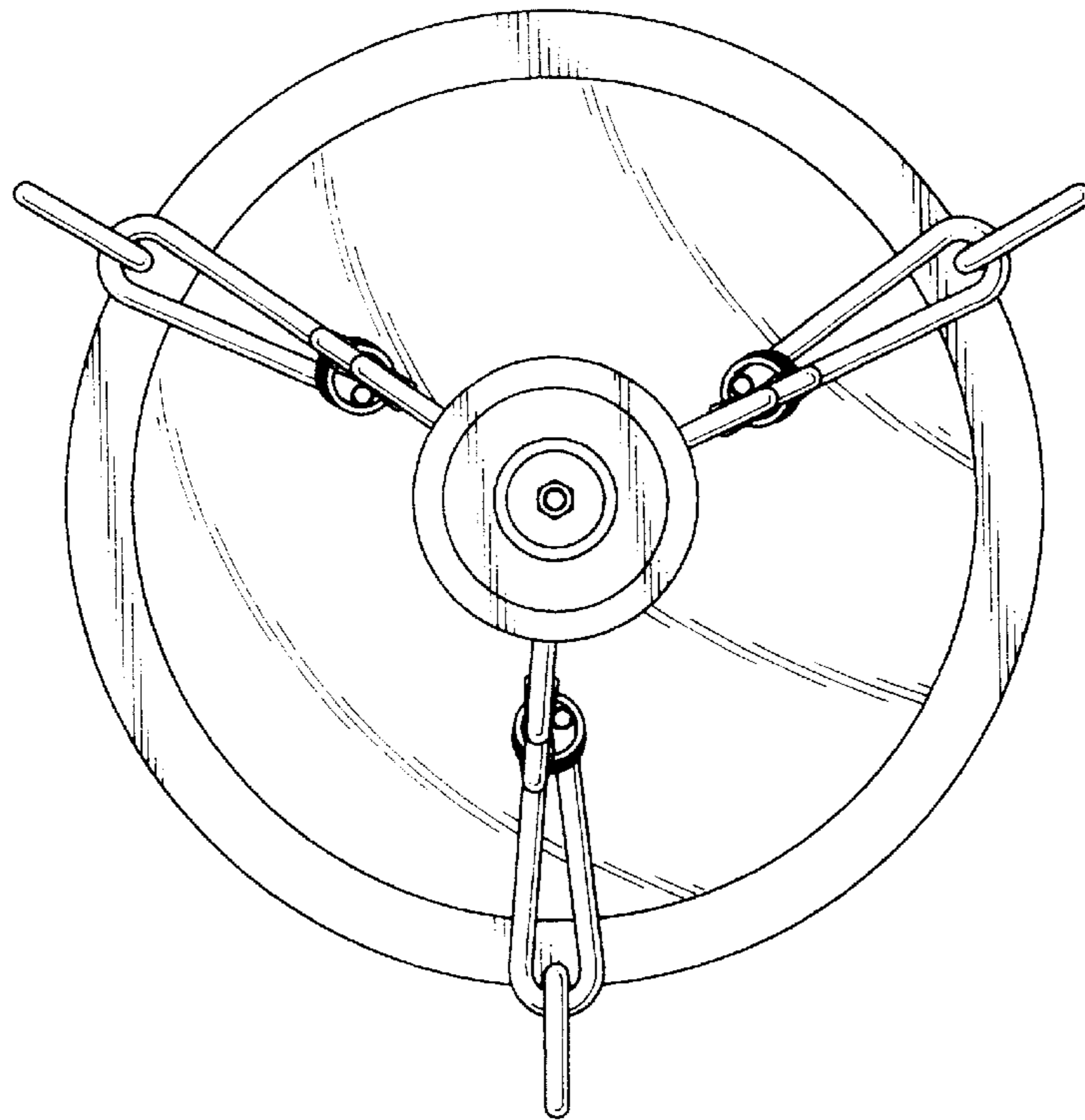


FIG. 6

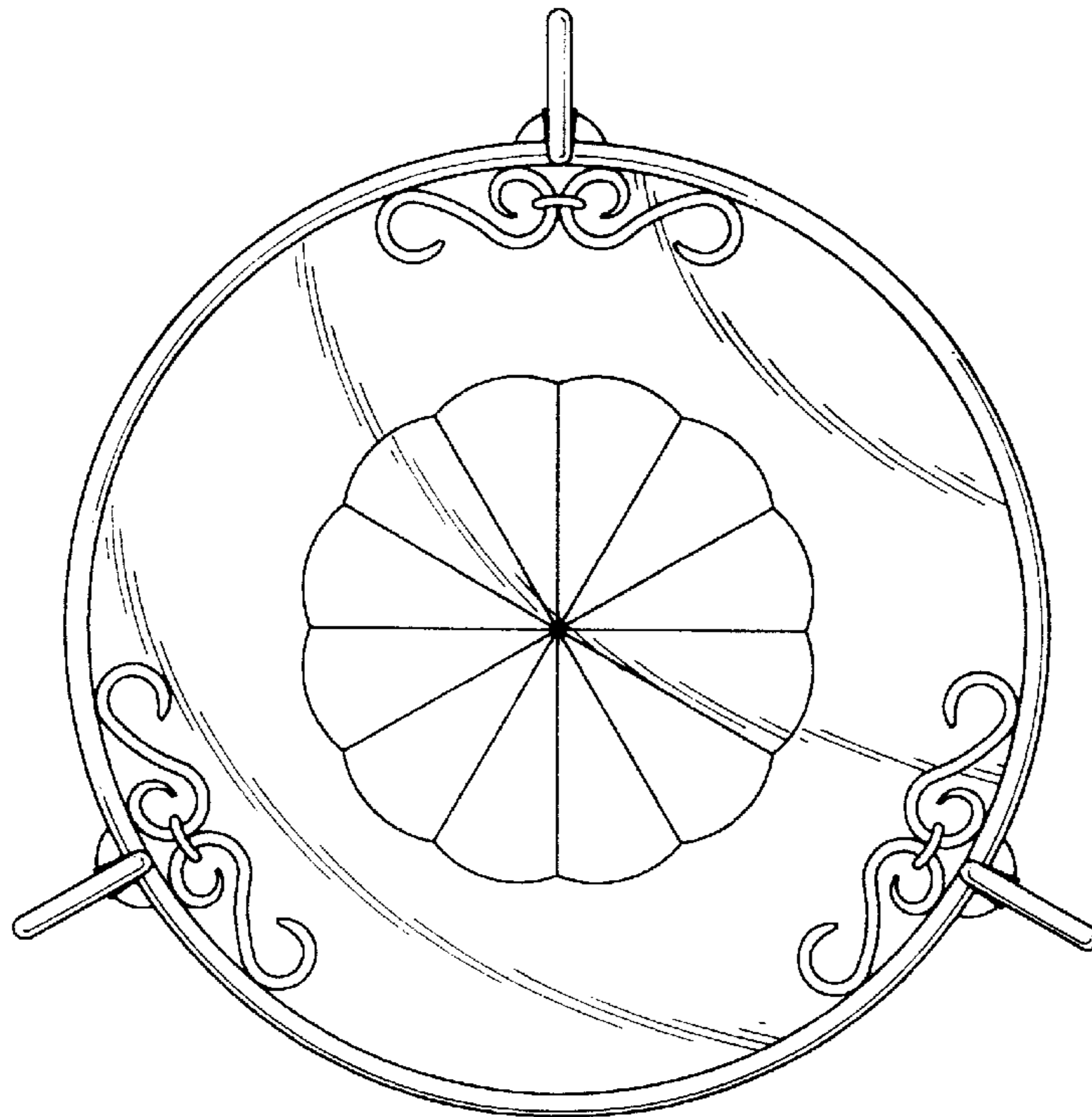


FIG. 7