



US00D447262B1

(12) **United States Design Patent**  
**Leen**

(10) **Patent No.:** **US D447,262 S**

(45) **Date of Patent:** **\*\* Aug. 28, 2001**

(54) **DOUBLE ROUND-FACED LAMP ON TELESCOPIC STAND**

Taiwan Lighting, Nov. 1999, p. 172, spotlight # CQ500DWF.\*

(76) Inventor: **Monte A. Leen**, 11730 NE. 12th St., Bellevue, WA (US) 98005

\* cited by examiner

(\*\*) Term: **14 Years**

*Primary Examiner*—Susan J. Lucas

(74) *Attorney, Agent, or Firm*—Dean A. Craine

(21) Appl. No.: **29/137,367**

(57) **CLAIM**

(22) Filed: **Feb. 19, 2001**

The ornamental design for a double round-faced lamp on telescopic stand, as shown and described.

(51) **LOC (7) Cl.** ..... **26-05**

(52) **U.S. Cl.** ..... **D26/65**

(58) **Field of Search** ..... D26/60–65; 362/269, 362/277, 287, 282, 285, 396, 418, 419, 428, 426, 393, 401

**DESCRIPTION**

(56) **References Cited**

**U.S. PATENT DOCUMENTS**

D. 436,680 1/2001 Leen ..... D26/65

FIG. 1 is a perspective view of the double round-faced lamp on telescopic stand.

FIG. 2 is a front elevation view of the invention.

FIG. 3 is a rear elevation view of the invention.

FIG. 4 is a right side elevation view of the invention.

FIG. 5 is a left side elevation view of the invention.

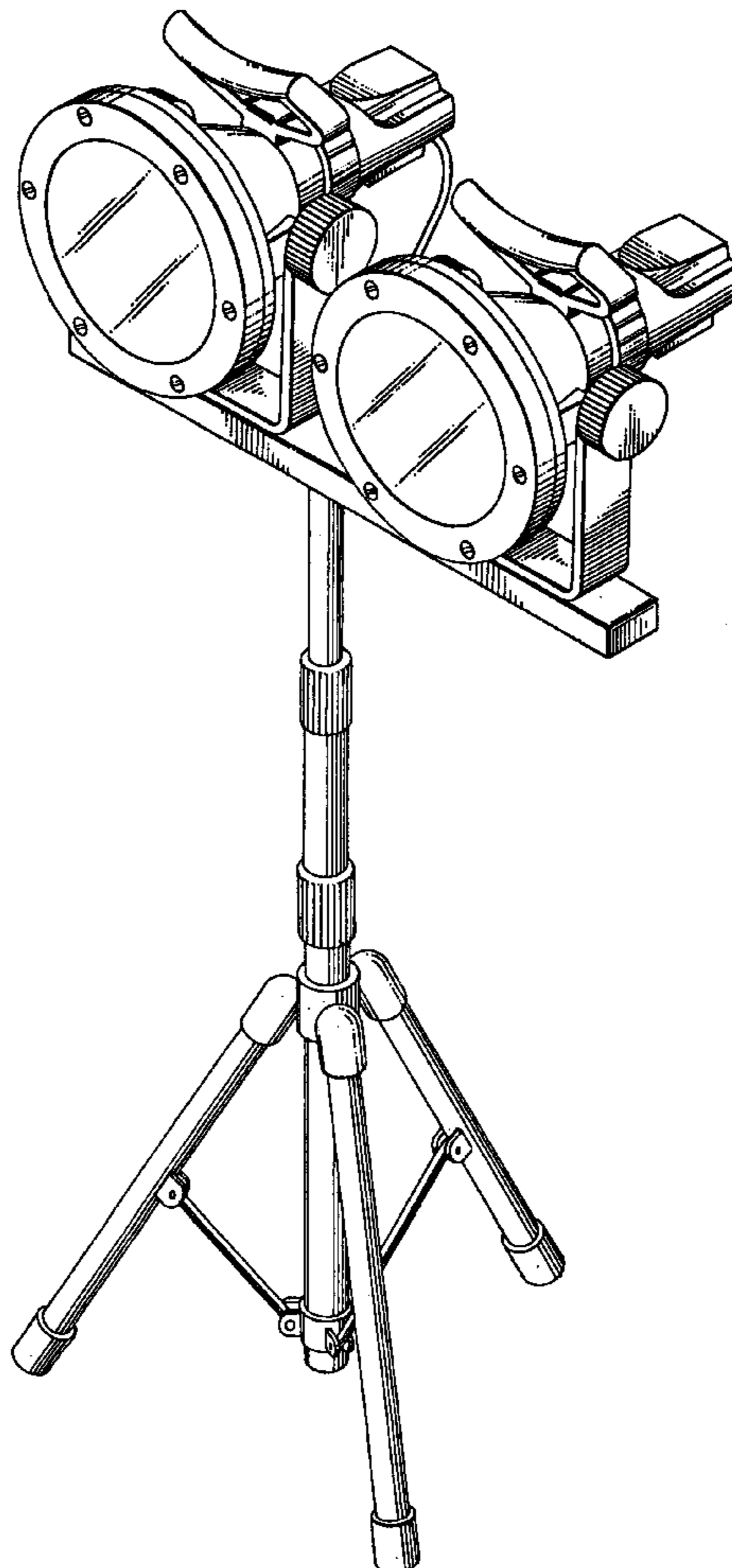
FIG. 6 is a top plan view of the invention; and,

FIG. 7 is a bottom plan view of the invention.

**OTHER PUBLICATIONS**

Taiwan Lighting, Nov. 1999, p. 169, spotlight # 1550 MR 16 50W x1.\*

**1 Claim, 5 Drawing Sheets**



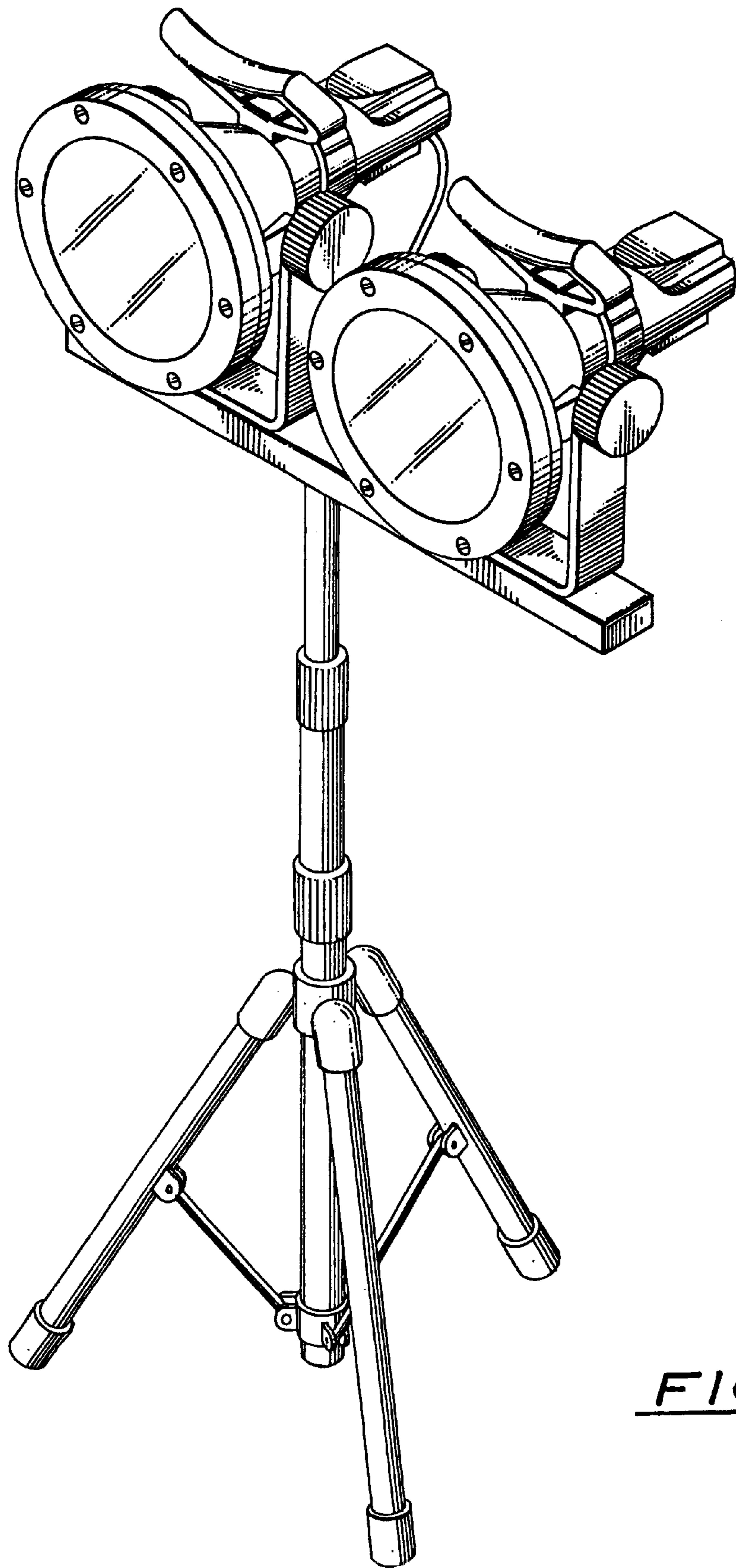


FIG. 1

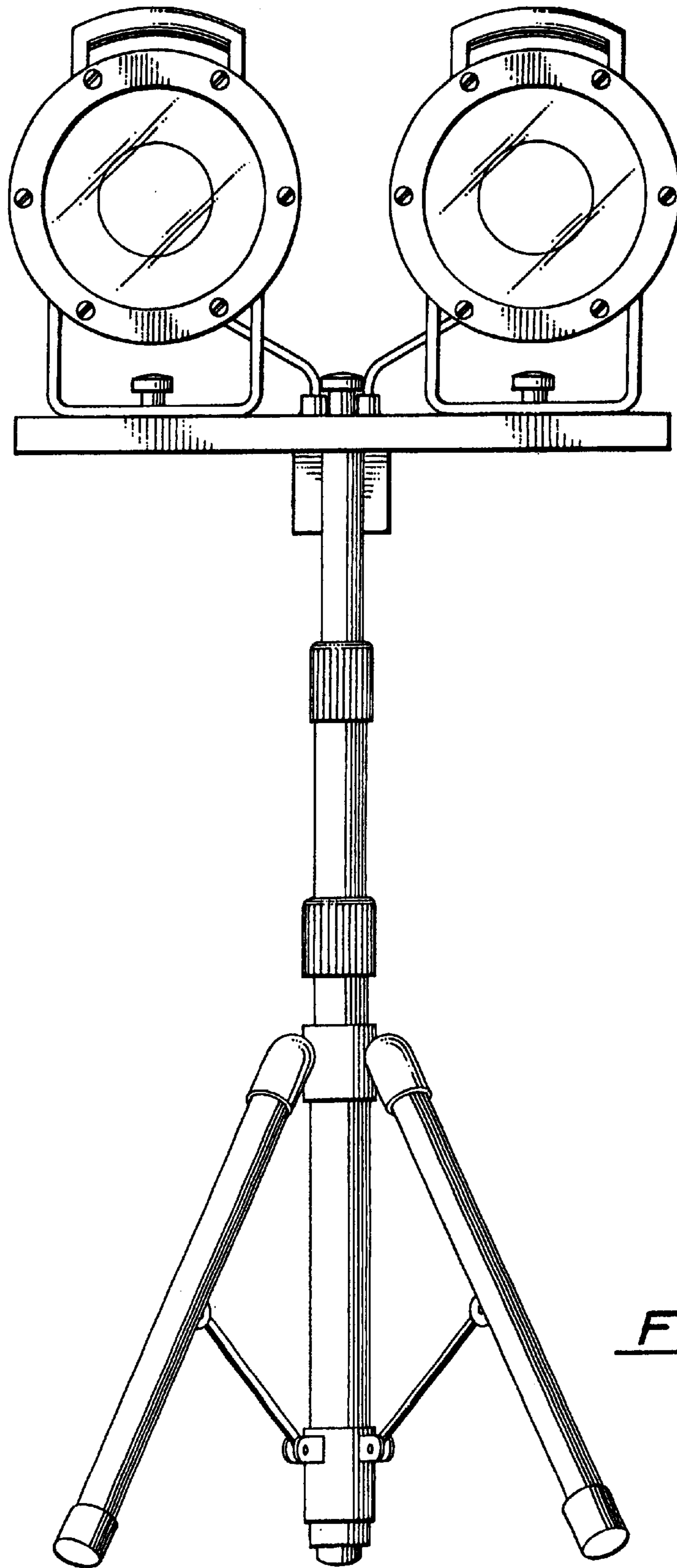


FIG. 2

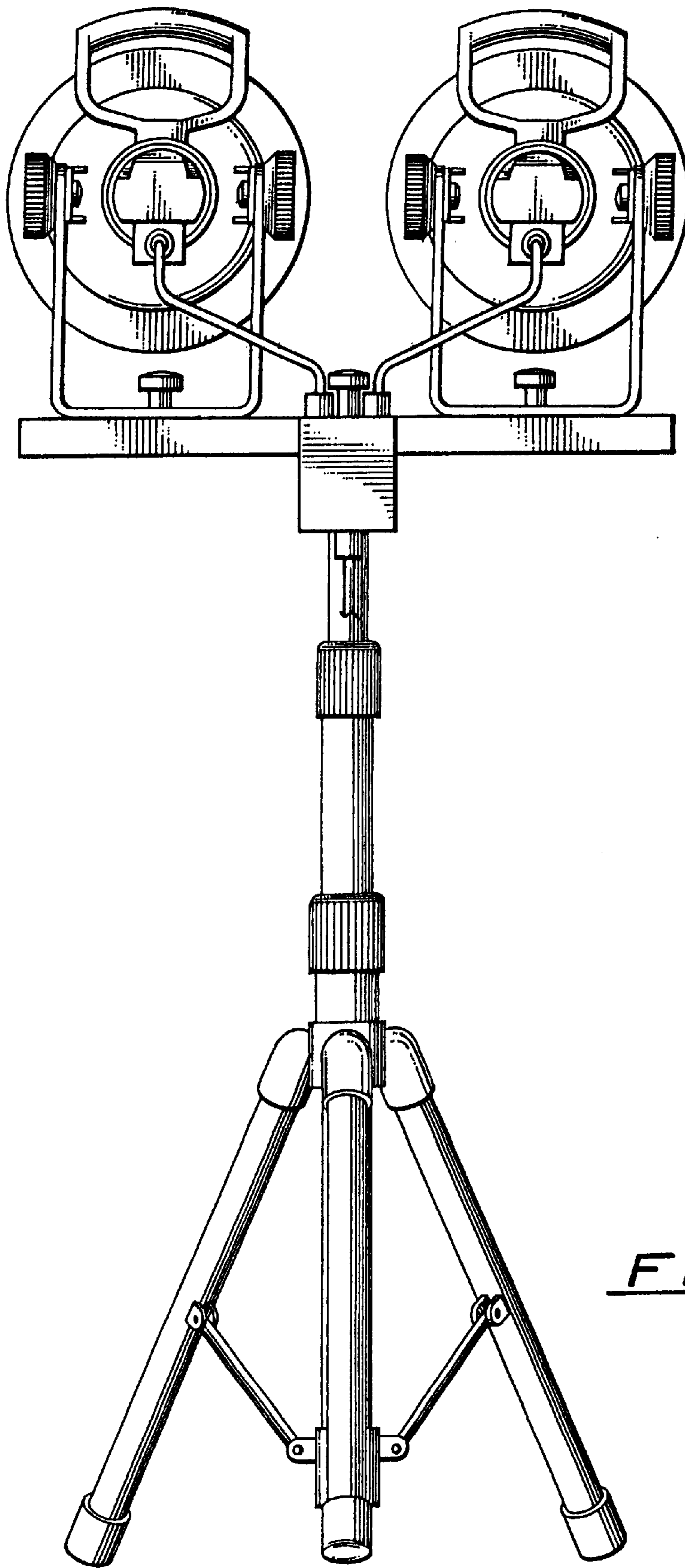


FIG. 3

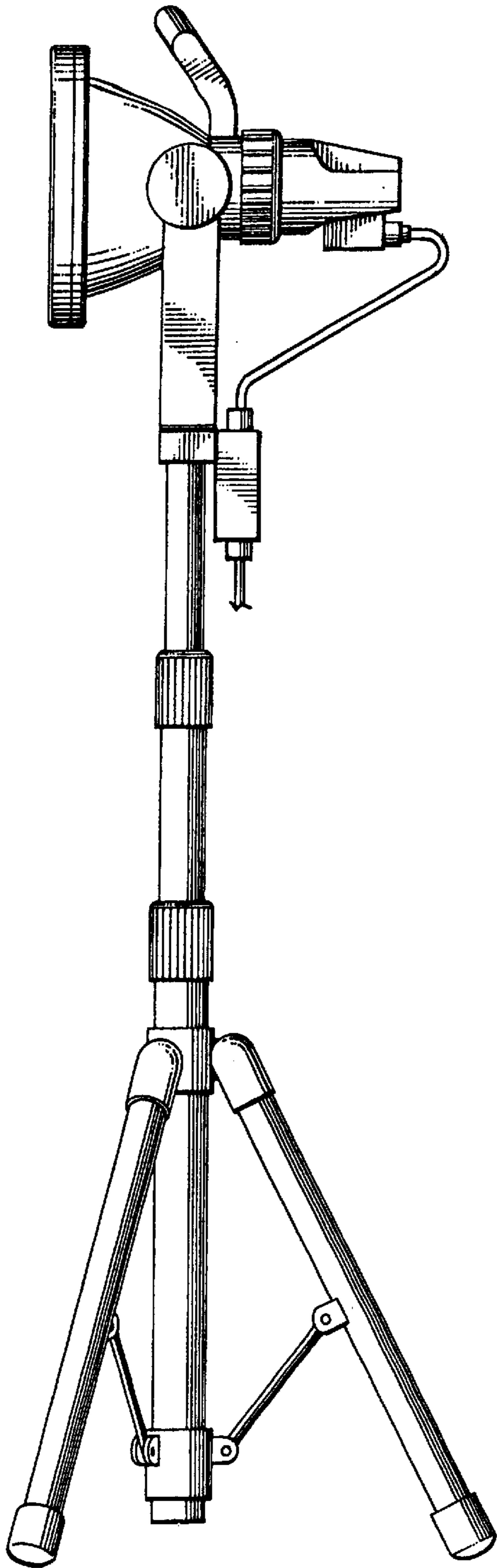


FIG. 4

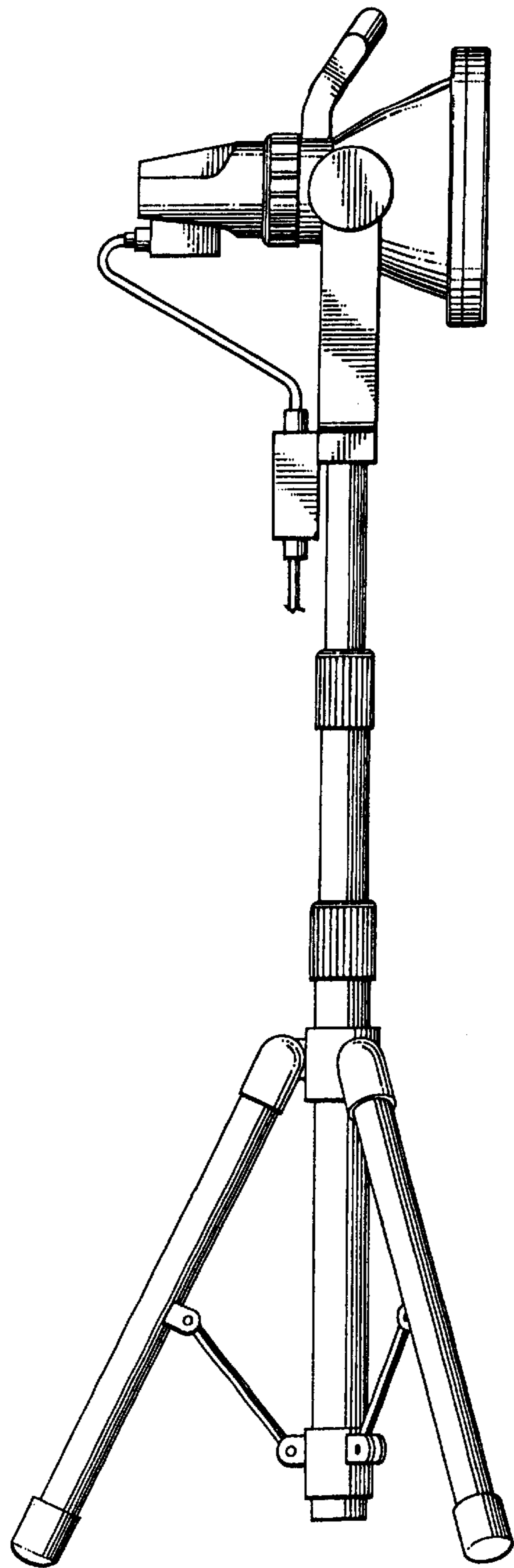


FIG. 5

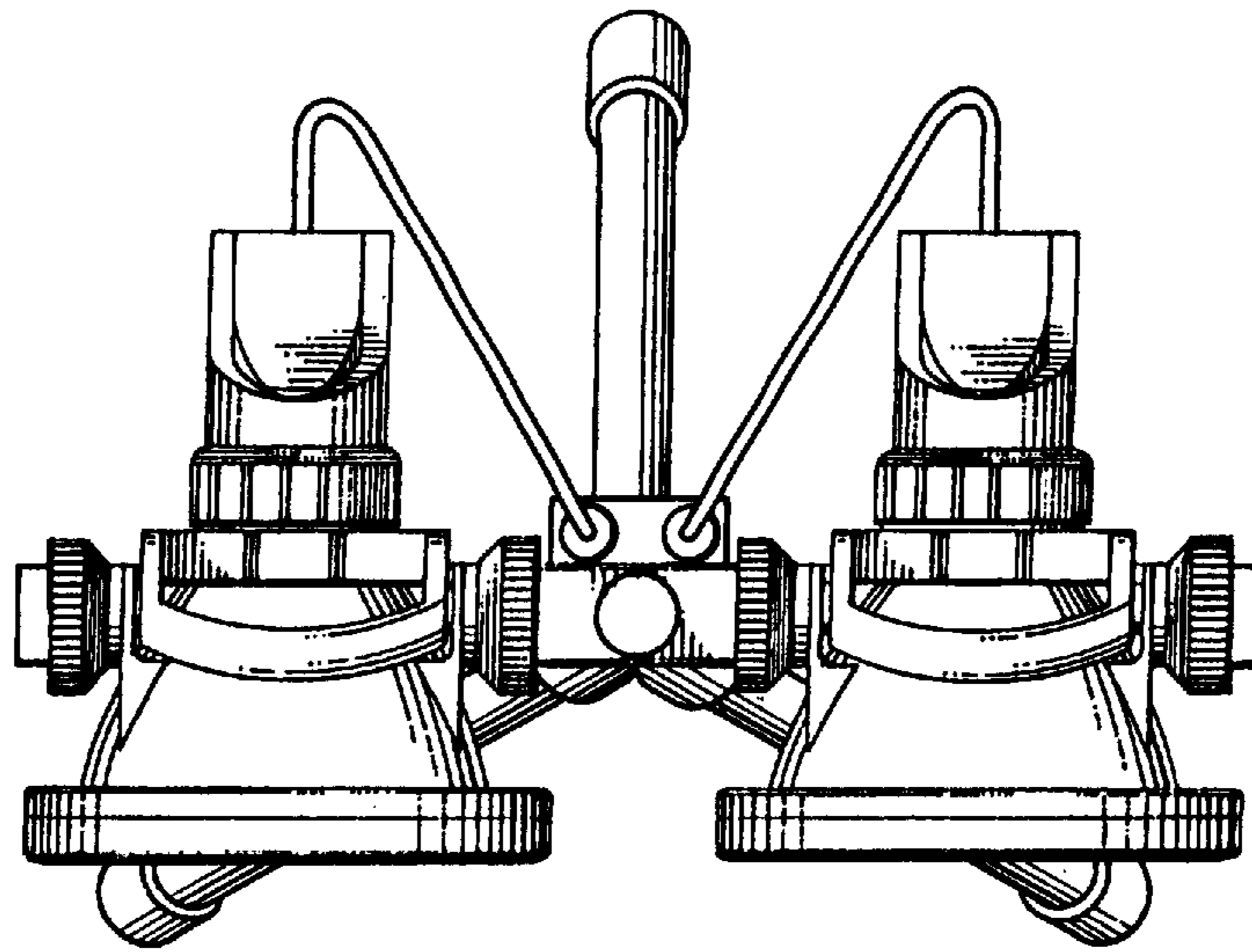


FIG. 6

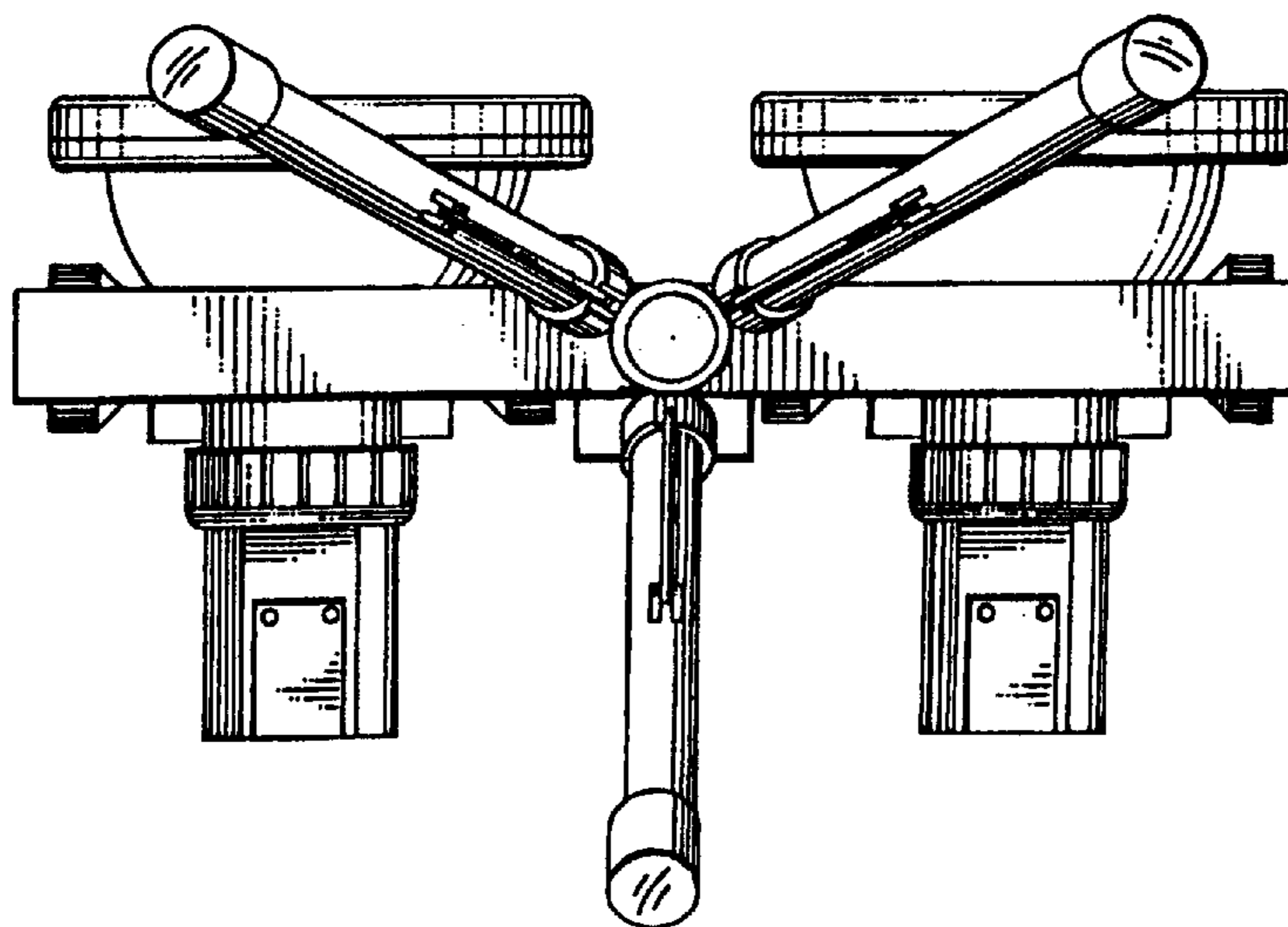


FIG. 7