



US00D447261B1

(12) **United States Design Patent**  
**Tang**

(10) **Patent No.:** **US D447,261 S**

(45) **Date of Patent:** **\*\* Aug. 28, 2001**

(54) **LIGHT DEVICE**

**OTHER PUBLICATIONS**

(76) Inventor: **Shih-Chuan Tang**, 6F, No. 440-2, Gin Pin Road, Chong Ho City, Taipei Hsien (TW), 235

Home Lighting and Accessories, Apr. 1997, p. 103, spot light, bottom left.\*

(\*\*) Term: **14 Years**

\* cited by examiner

*Primary Examiner*—Susan J. Lucas

(21) Appl. No.: **29/135,260**

(57) **CLAIM**

(22) Filed: **Jan. 6, 2001**

The ornamental design for a light device, as shown and described.

(51) **LOC (7) Cl.** ..... **26-05**

**DESCRIPTION**

(52) **U.S. Cl.** ..... **D26/63**

(58) **Field of Search** ..... D26/60–66; 362/267, 362/269, 281, 285, 287, 418, 419, 427, 430

FIG. 1 is a perspective view of a light device showing my new design;

FIG. 2 is a front elevational view thereof;

FIG. 3 is a rear elevational view thereof;

FIG. 4 is a top plan view thereof;

FIG. 5 is a bottom plan view thereof;

FIG. 6 is a left side elevational view thereof; and,

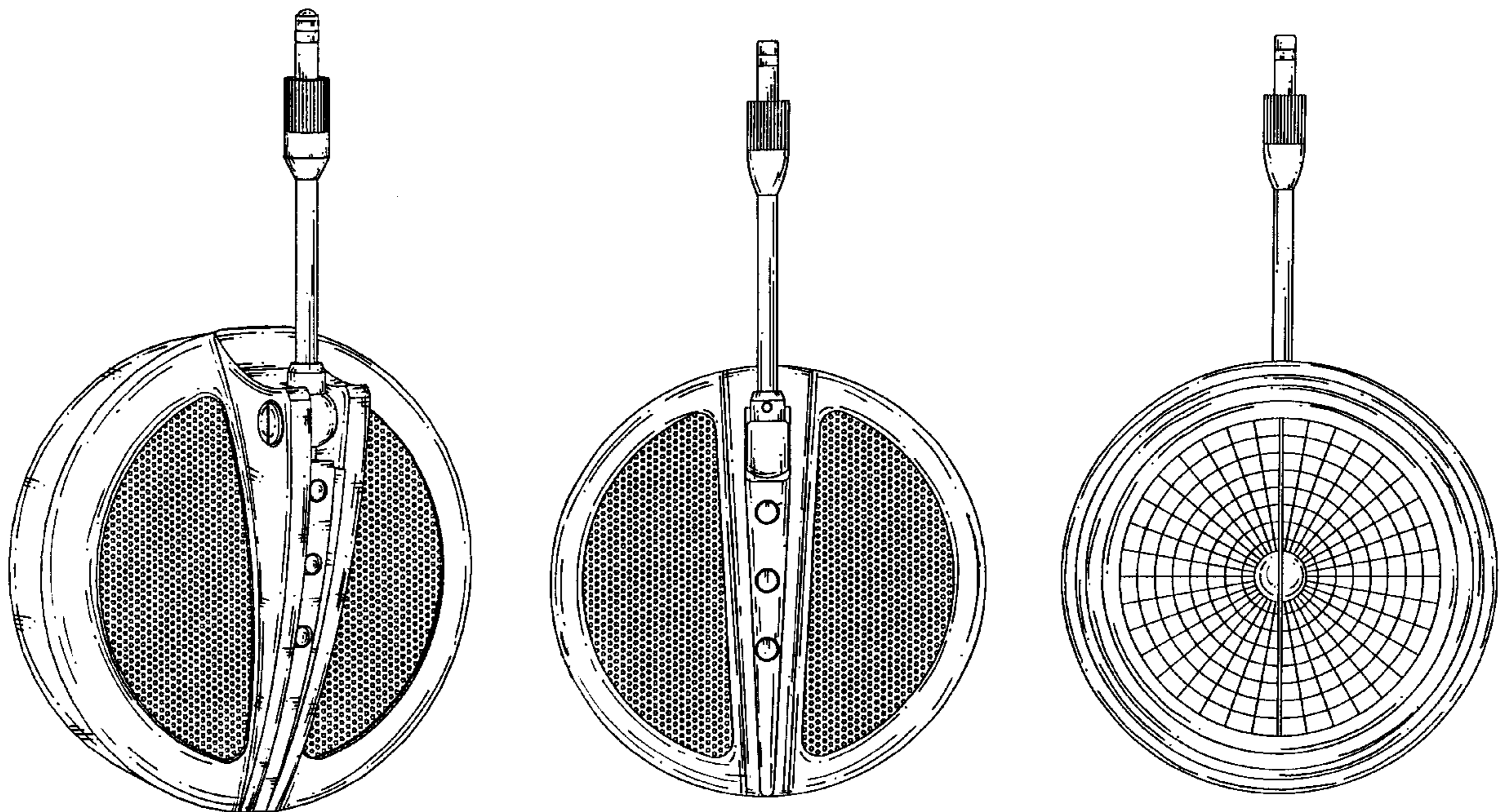
FIG. 7 is a right side elevational view thereof.

(56) **References Cited**

**U.S. PATENT DOCUMENTS**

- D. 345,616 \* 3/1994 Lin ..... D26/63
- D. 368,972 \* 4/1996 Bray ..... D26/61
- D. 417,024 \* 11/1999 Stuyfzand ..... D26/63

**1 Claim, 4 Drawing Sheets**



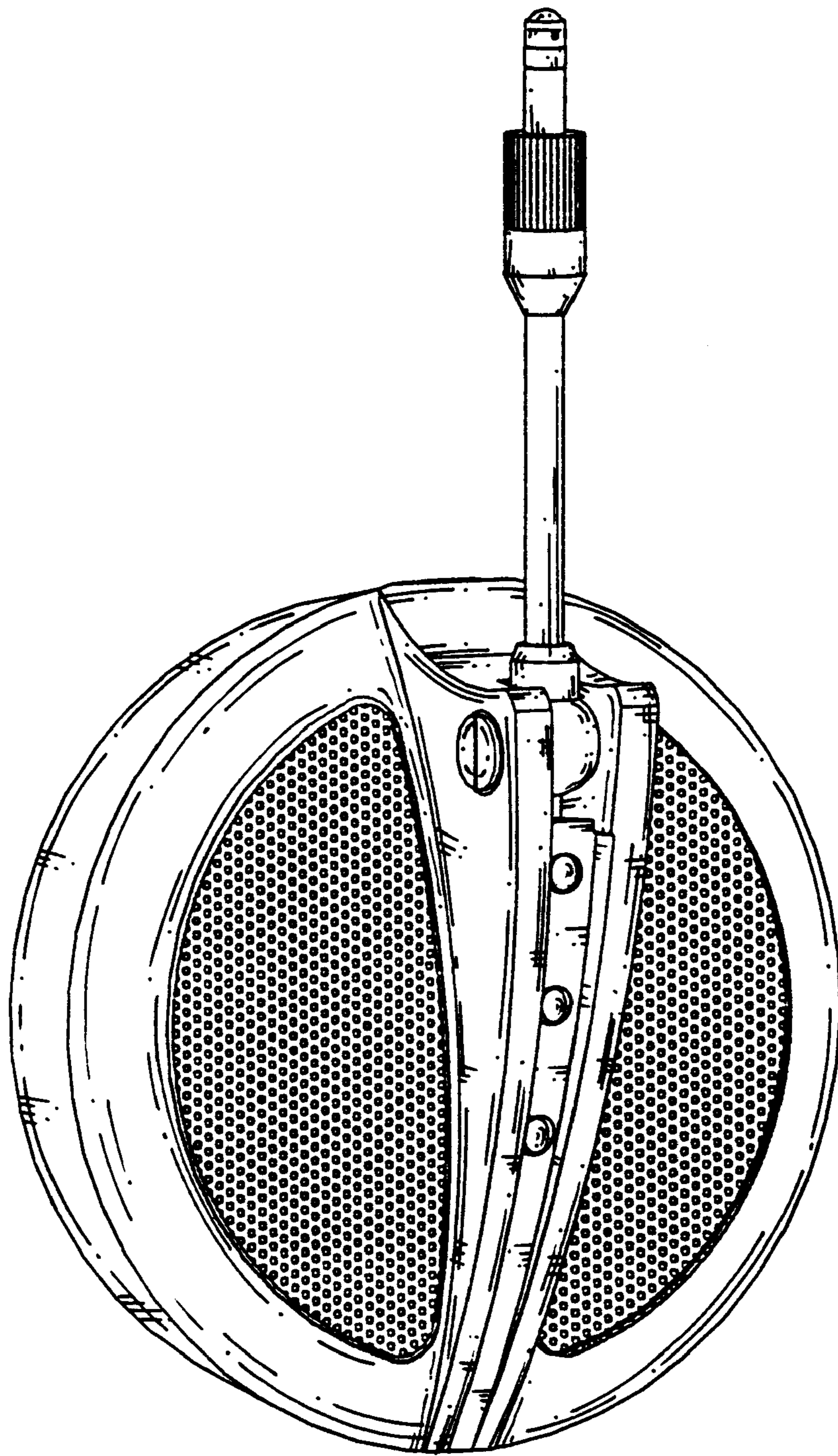


FIG. 1

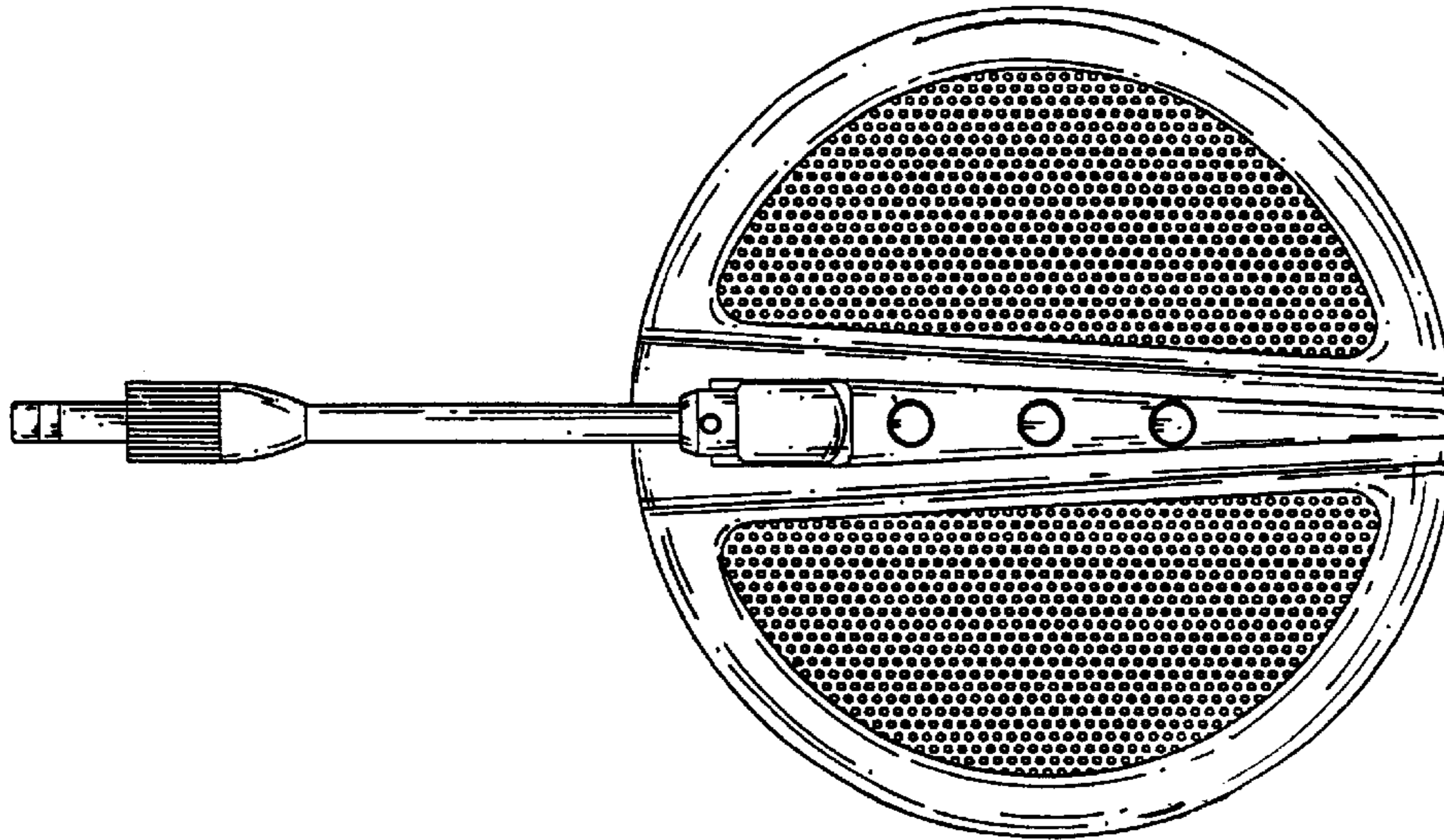


FIG. 2

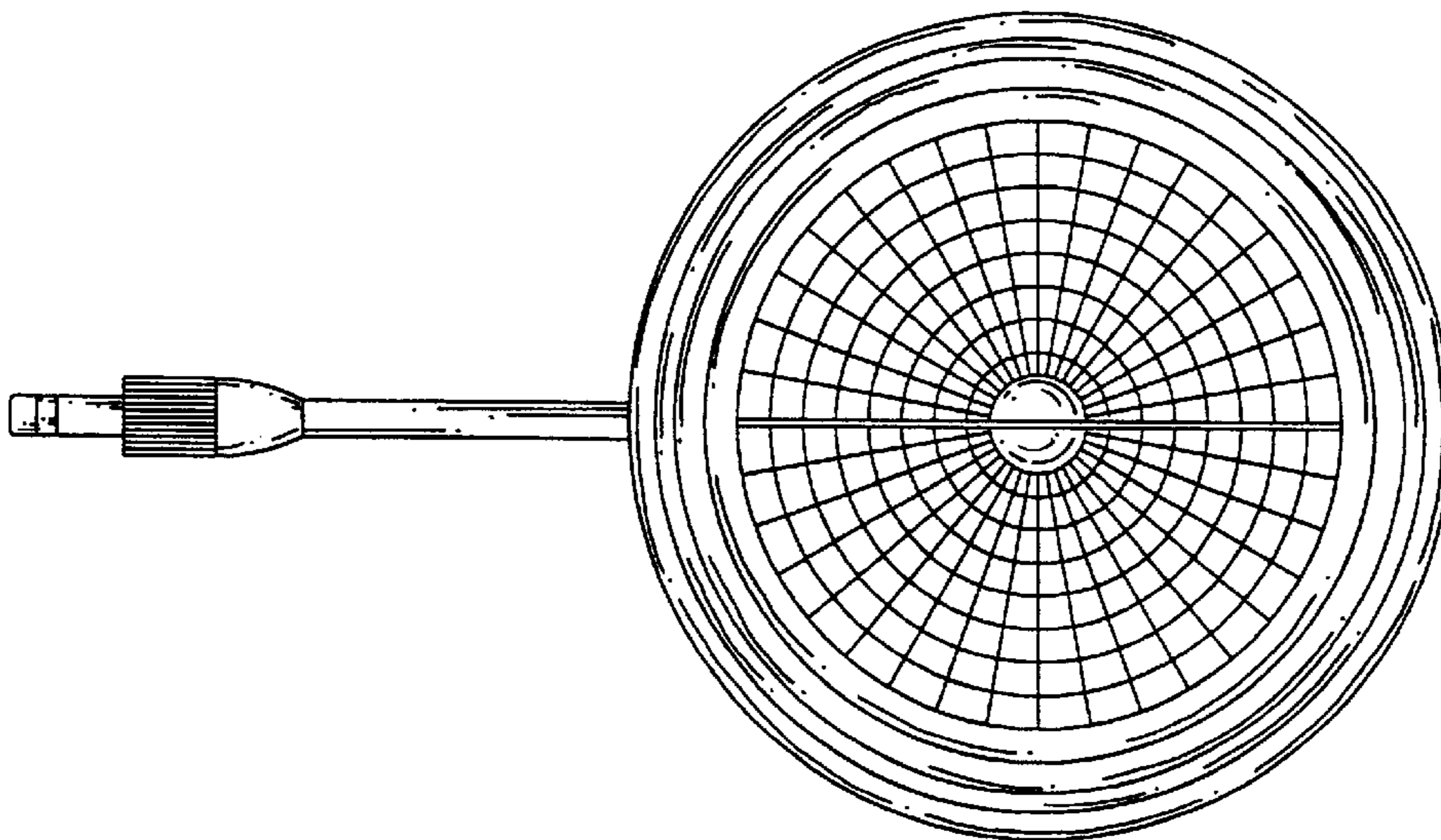


FIG. 3

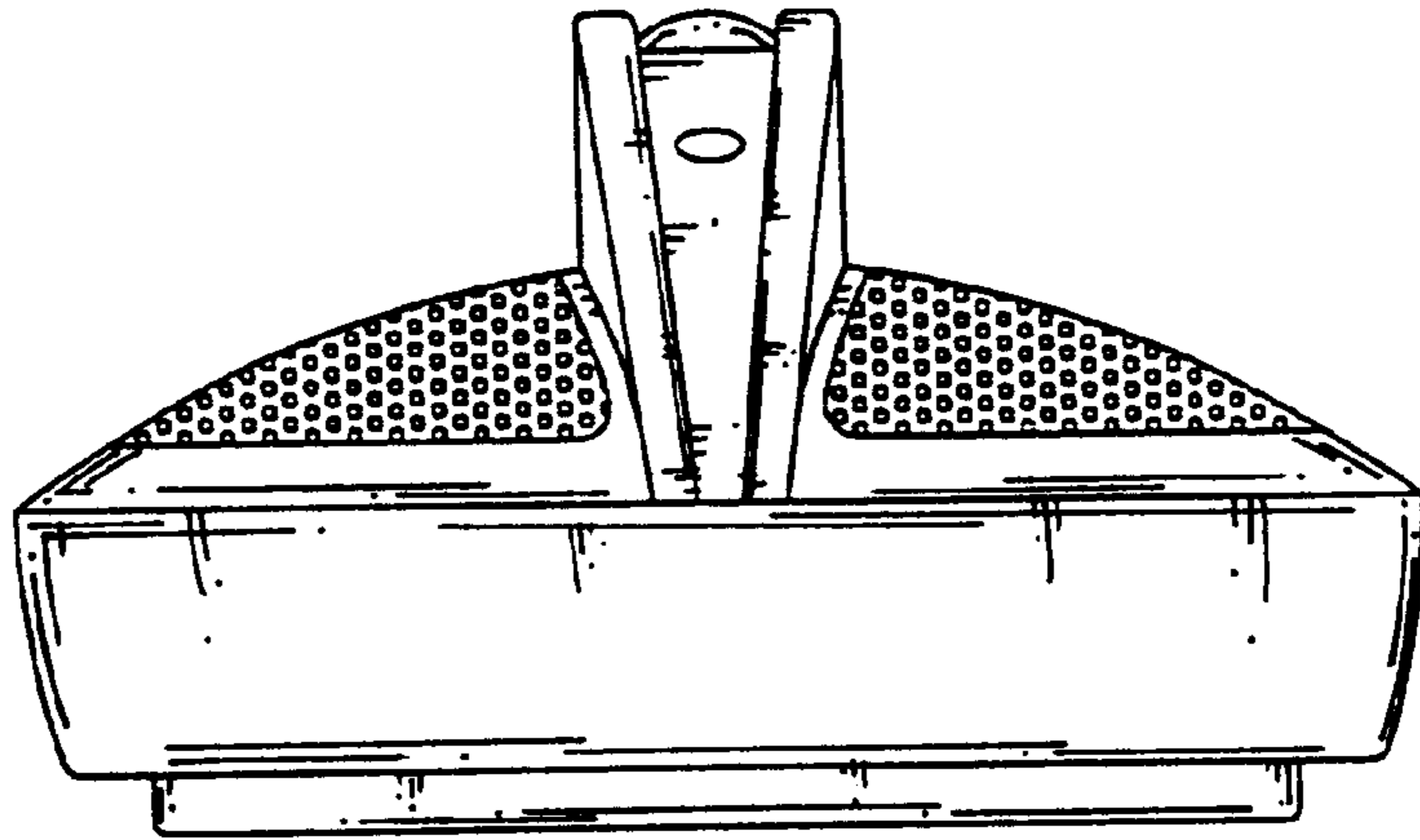


FIG. 5

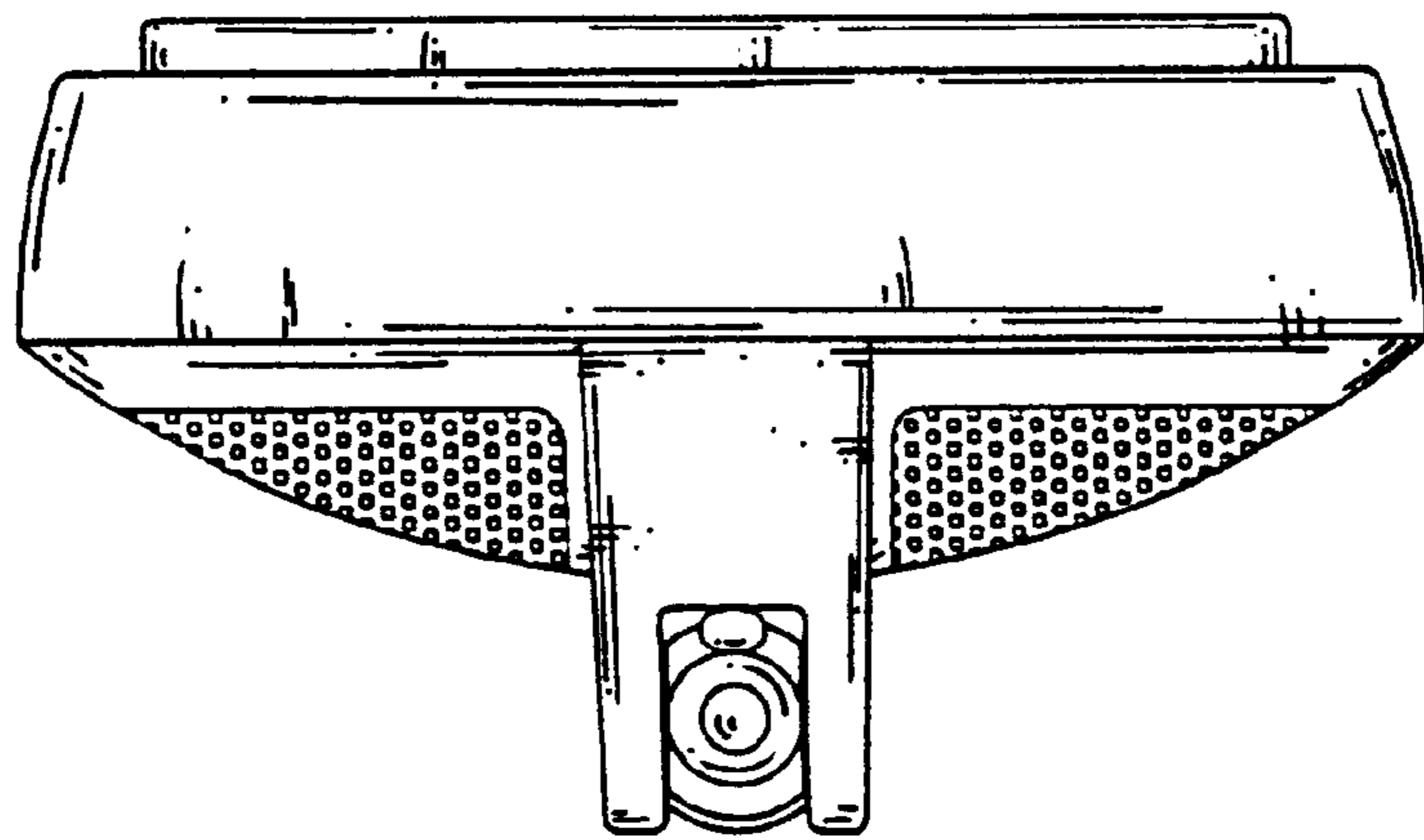


FIG. 4

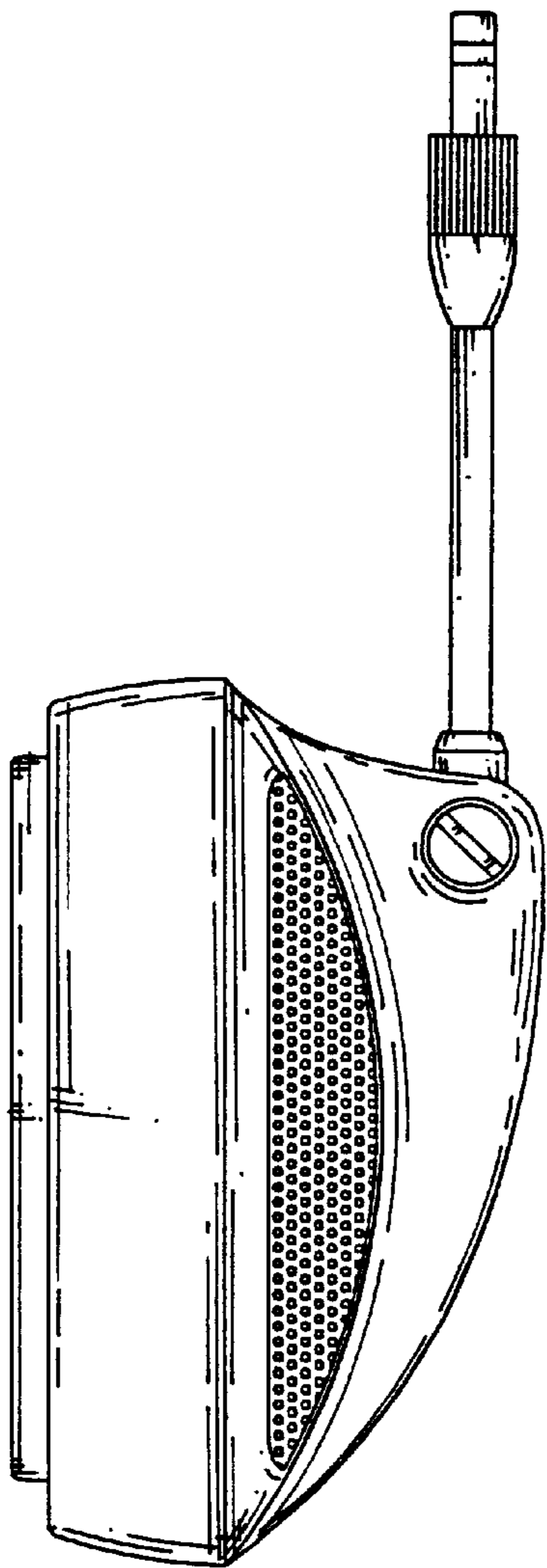


FIG. 6

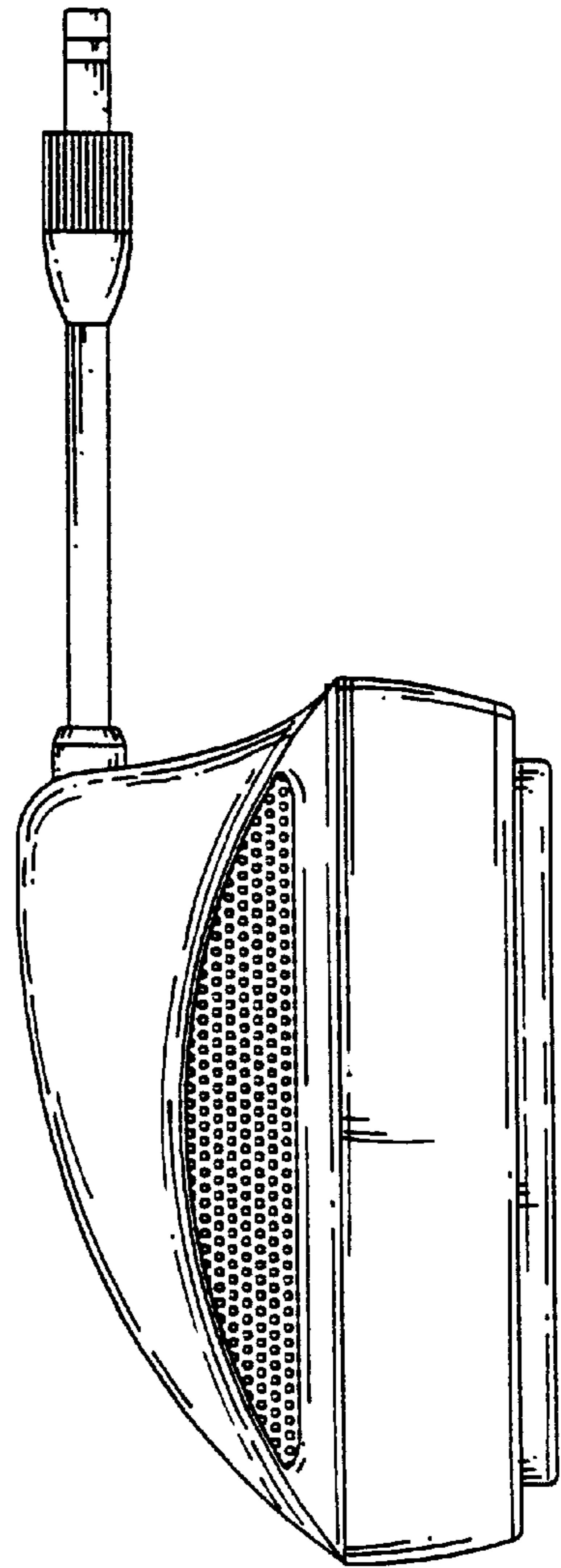


FIG. 7