



US00D447260B1

(12) **United States Design Patent**  
**Demshki**

(10) **Patent No.:** **US D447,260 S**

(45) **Date of Patent:** **\*\* Aug. 28, 2001**

(54) **TRACK LIGHT**

(75) **Inventor:** **Robert Demshki**, Cherryville, NC (US)

(73) **Assignee:** **Ardee Lighting/USA, Inc.**, Shelby, NC (US)

(\*\*) **Term:** **14 Years**

(21) **Appl. No.:** **29/122,892**

(22) **Filed:** **May 5, 2000**

(51) **LOC (7) Cl.** ..... **26-05**

(52) **U.S. Cl.** ..... **D26/63**

(58) **Field of Search** ..... D26/60-66; 362/269, 362/270, 275, 282, 283, 284, 285, 286, 289, 290, 427, 428, 429, 430, 410, 413

(56) **References Cited**

**U.S. PATENT DOCUMENTS**

D. 287,413	12/1986	Kusmer et al.	.....	D26/65
D. 295,223	4/1988	Meda	.....	D26/65
D. 307,060	4/1990	Fraser	.....	D26/88
D. 313,481	1/1991	Fremont et al.	.....	D26/63
D. 315,420	3/1991	Layne	.....	D26/63
D. 316,154	4/1991	Gecchelin	.....	D26/63
D. 323,564	1/1992	Woodgate	.....	D26/63
D. 323,565	1/1992	Woodgate	.....	D26/63
D. 326,162	5/1992	Price	.....	D26/63
D. 345,616	3/1994	Lin	.....	D26/63
D. 345,619	3/1994	Hutz et al.	.....	D26/64
D. 351,038	9/1994	Snoke et al.	.....	D26/65
D. 351,249	10/1994	Snoke et al.	.....	D26/65
D. 354,148	1/1995	Roos	.....	D26/63
D. 354,365	1/1995	Roos et al.	.....	D26/63
D. 358,225	5/1995	Lin	.....	D26/63
D. 386,274	11/1997	Tang	.....	D26/63

D. 400,996	11/1998	Tang	.....	D26/63
D. 402,384	12/1998	Chen	.....	D26/63
4,727,460	2/1988	Payne	.....	362/269
4,814,955	3/1989	Price	.....	362/275
4,931,917	6/1990	Scherf et al.	.....	362/371
5,062,029	10/1991	Engel	.....	362/287
5,140,507 *	8/1992	Harwood	.....	362/275 X
5,398,177	3/1995	Harwood	.....	362/270
5,788,518	8/1998	Wachter et al.	.....	439/121
6,004,005	12/1999	Demshki, Jr.	.....	362/238

**OTHER PUBLICATIONS**

Home Lighting and Accessories, May 1998, p. 62, Bruck hanging lamp, left end.\*

Concord lighting catalog, p. 62, May 1998, spotlight.\*

\* cited by examiner

*Primary Examiner*—Susan J. Lucas

(74) *Attorney, Agent, or Firm*—Fitzpatrick, Cella, Harper & Scinto

(57) **CLAIM**

The ornamental design for a track light, as shown and described.

**DESCRIPTION**

FIG. 1 is a perspective view of a track light showing my new design;

FIG. 2 is a side view thereof;

FIG. 3 is a bottom view thereof;

FIG. 4 is a top view thereof;

FIG. 5 is a front view thereof; and,

FIG. 6 is a rear view thereof.

The broken lines are shown for illustrative purposes and form no part of the claimed design.

**1 Claim, 3 Drawing Sheets**

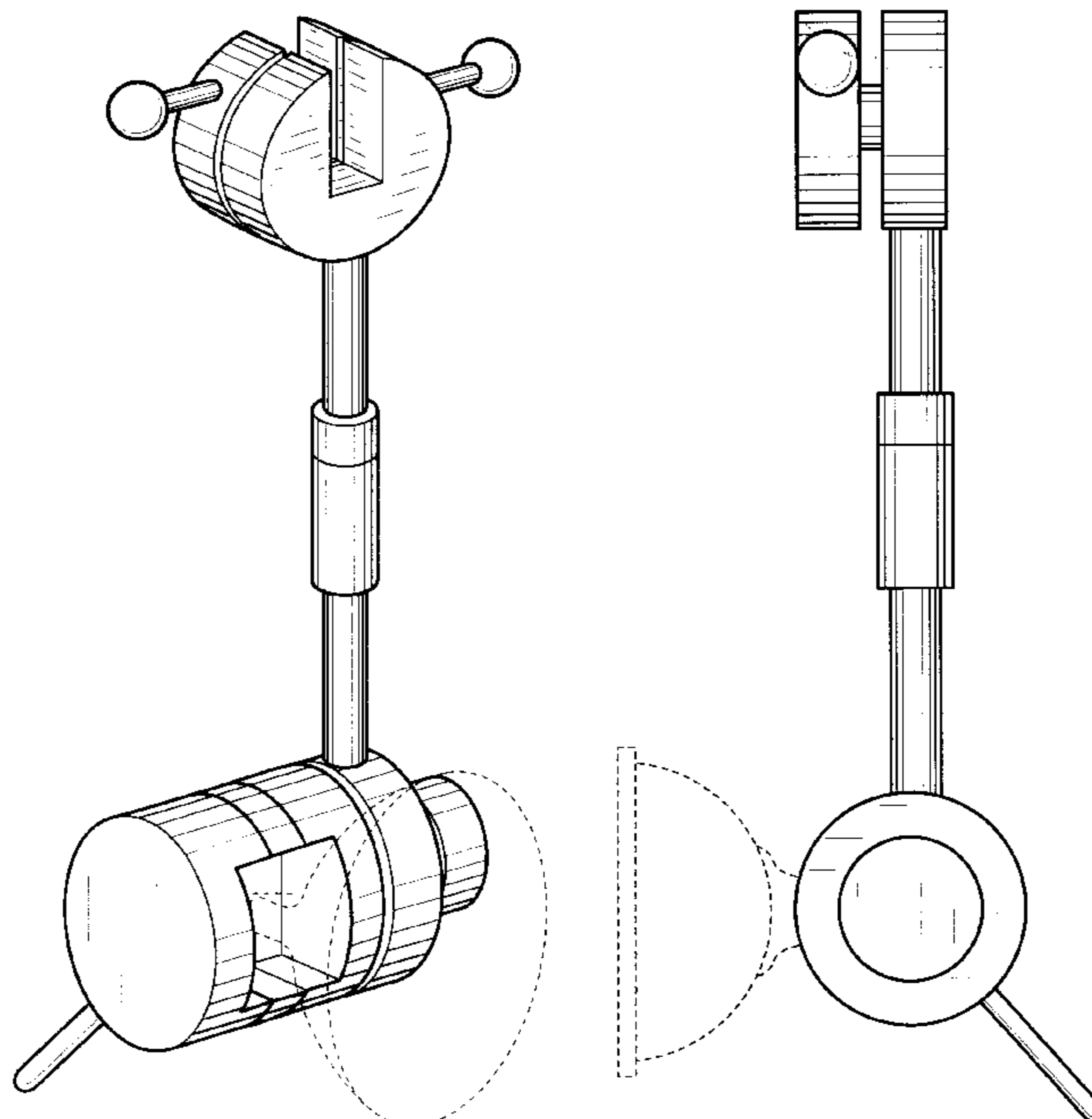


FIG. 2

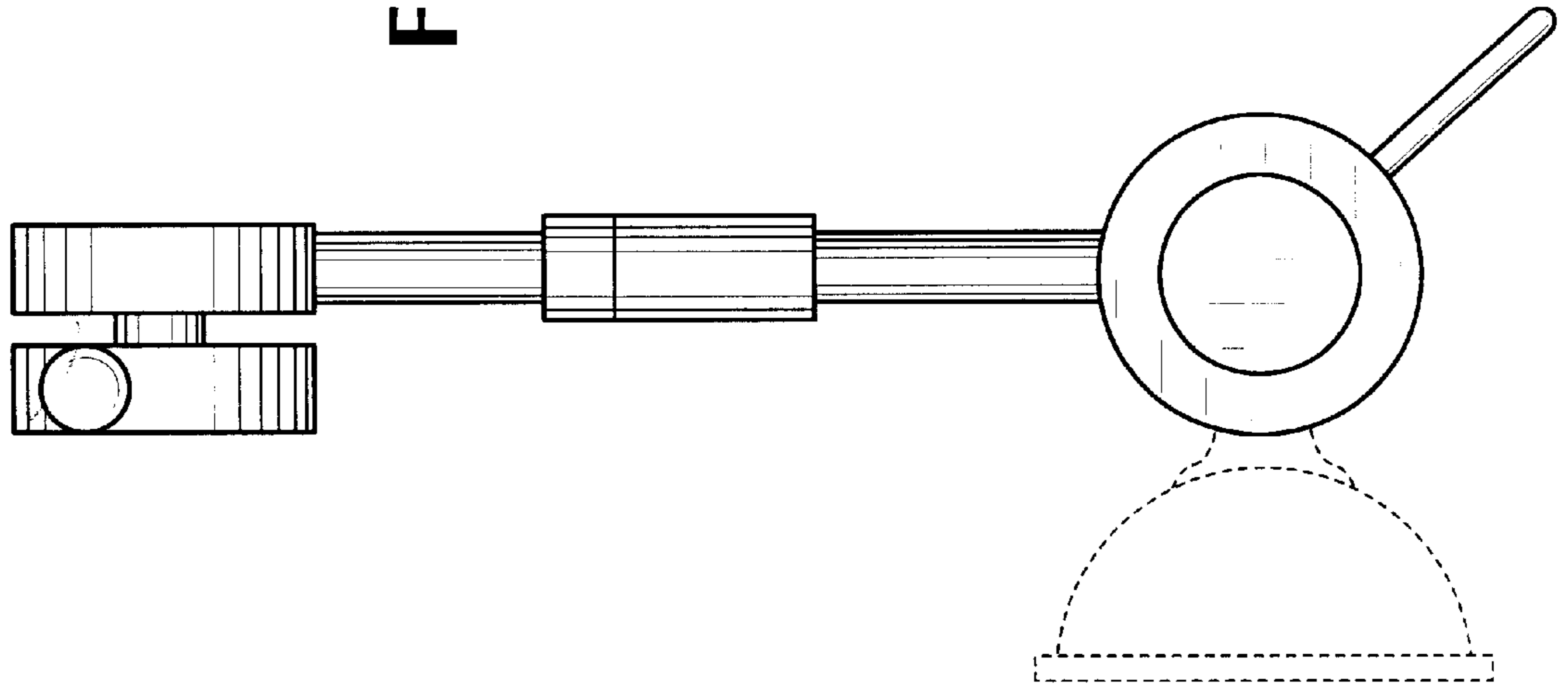


FIG. 1

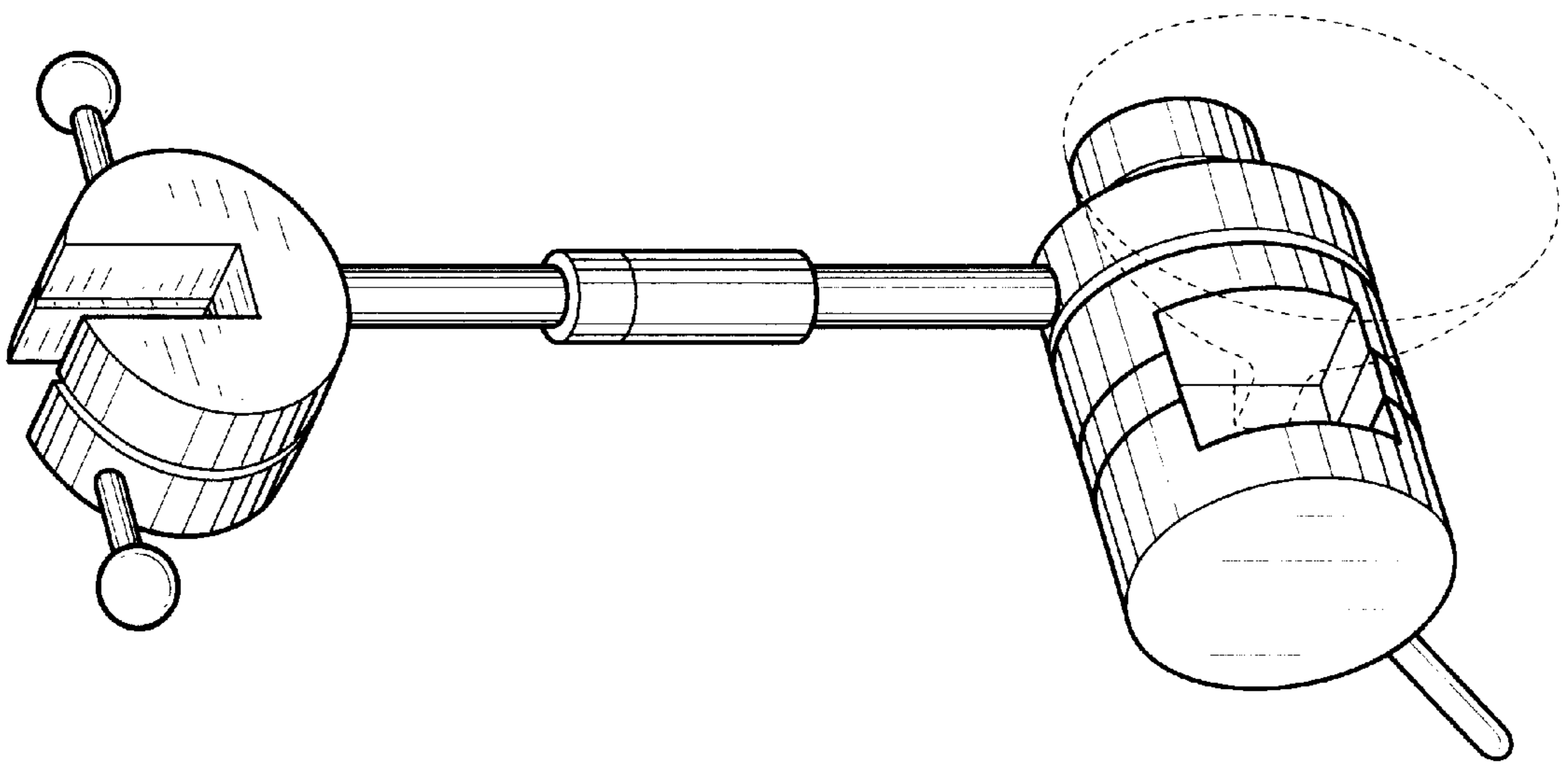


FIG. 4

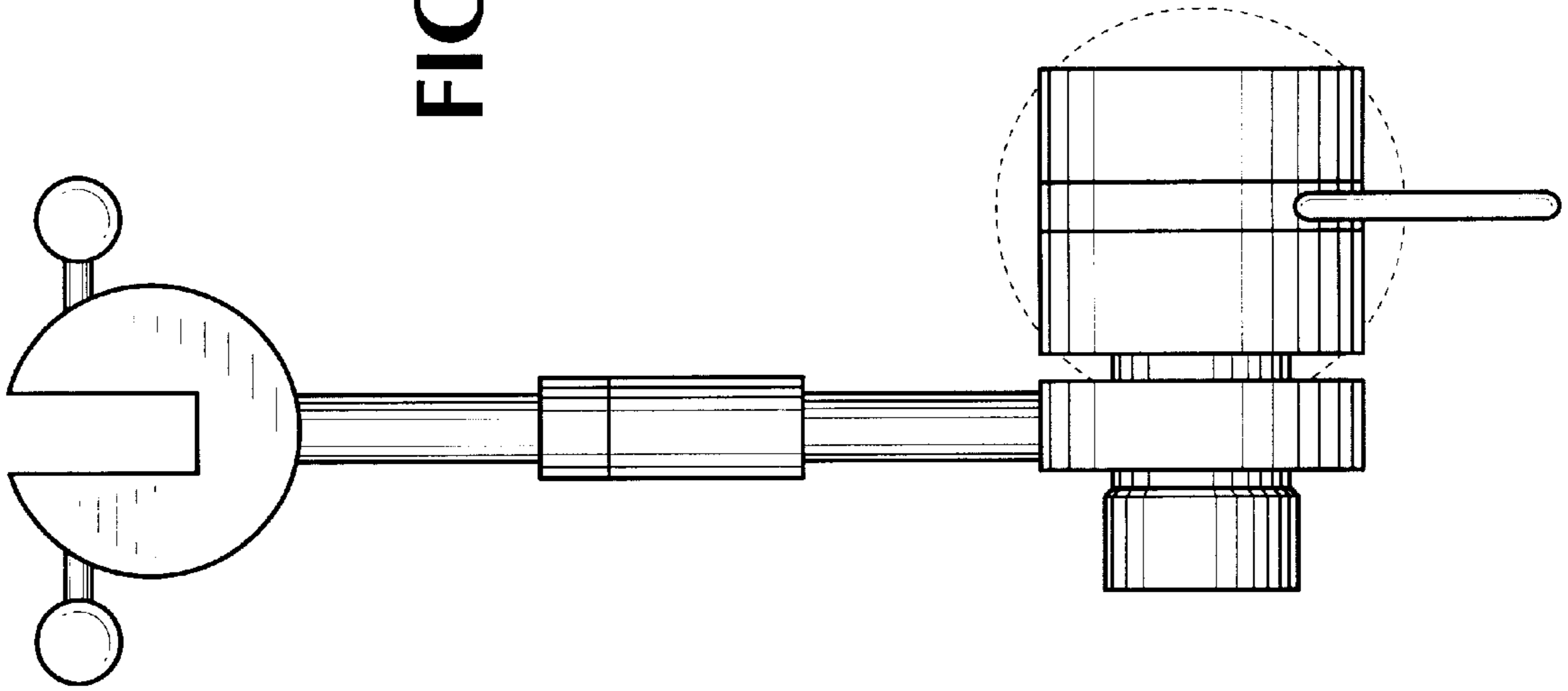
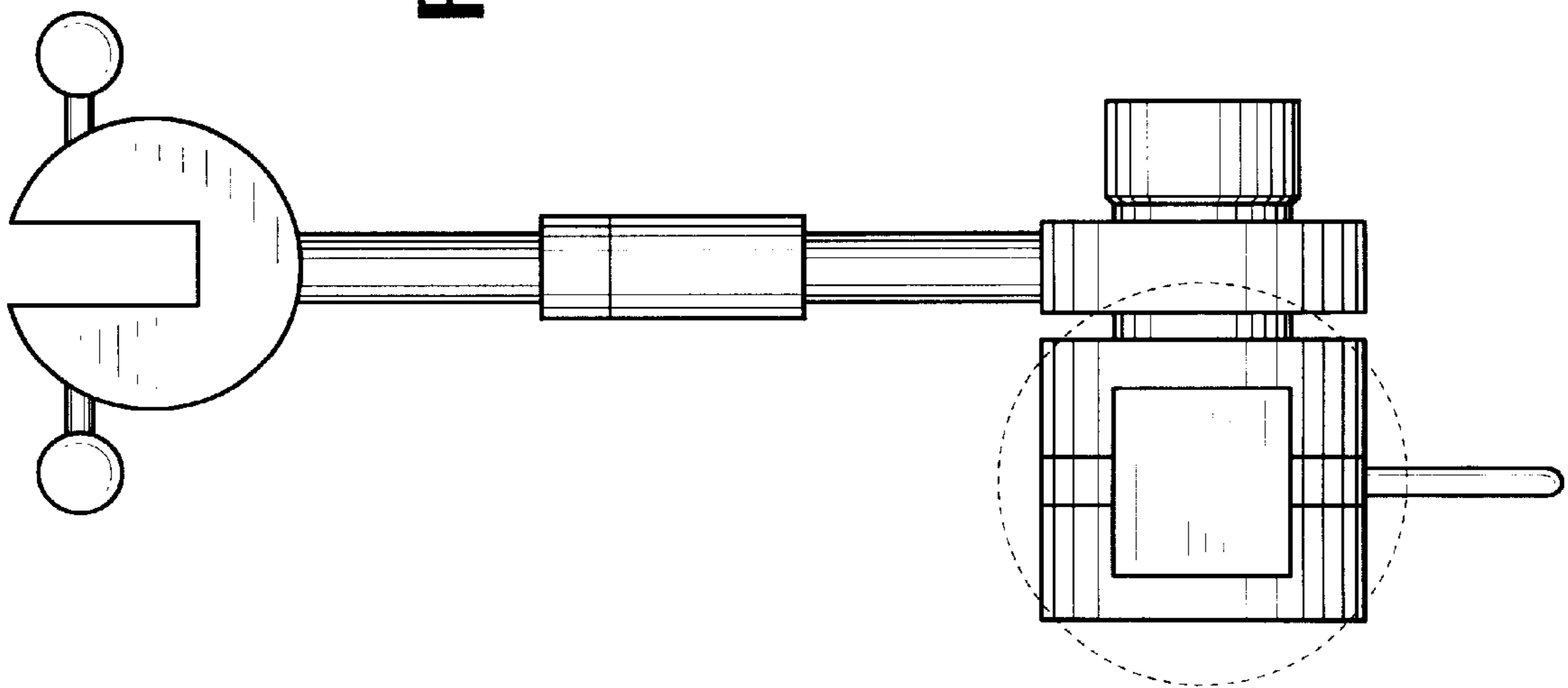


FIG. 3



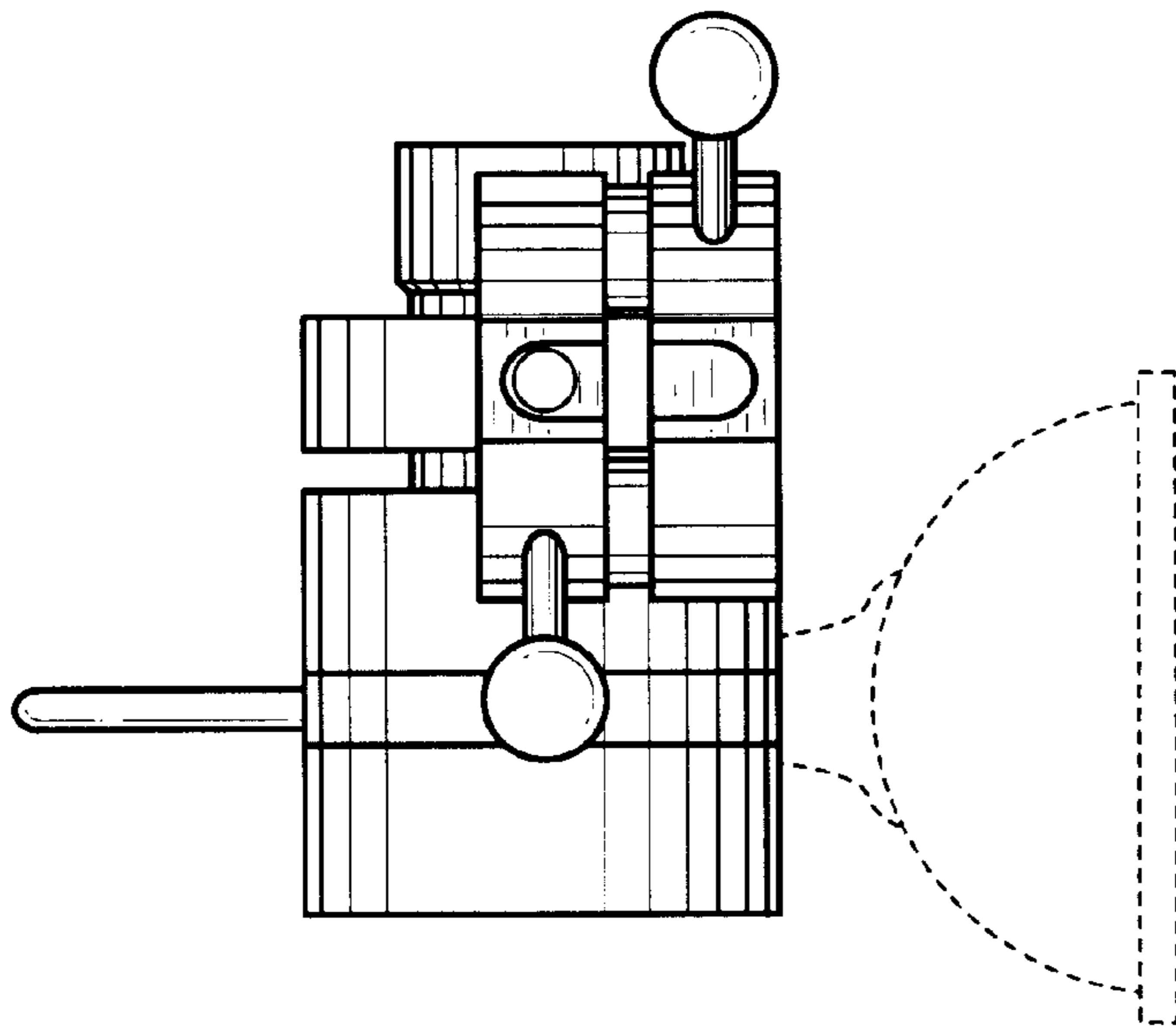


FIG. 5

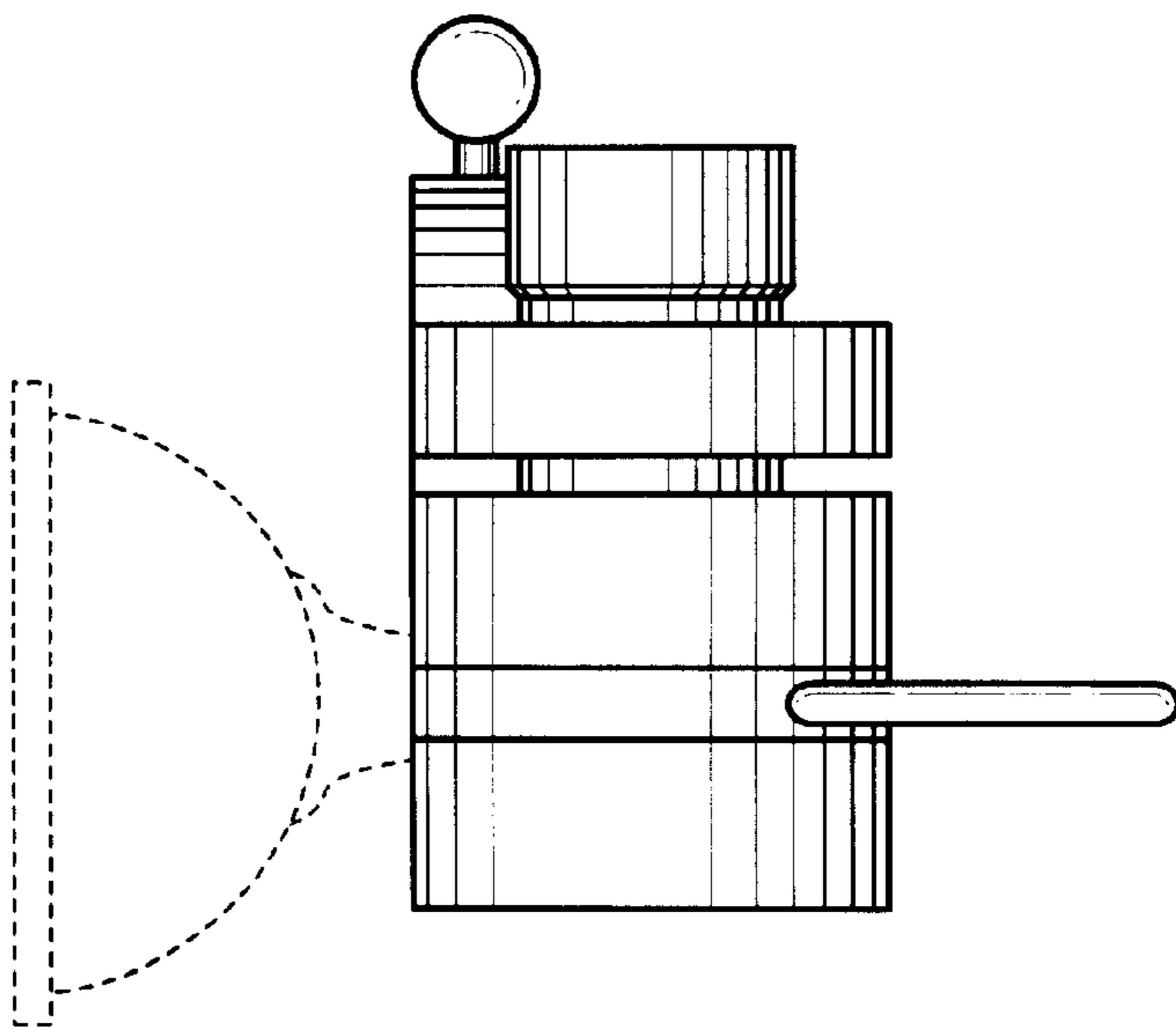


FIG. 6