



US00D447259B1

(12) **United States Design Patent**  
**Lynch et al.**

(10) **Patent No.:** **US D447,259 S**

(45) **Date of Patent:** **\*\* Aug. 28, 2001**

(54) **FLASHLIGHT**

(75) Inventors: **Peter F. Lynch; Scott W. Osiecki**, both of Skaneateles; **Ronald K. Kingston**, Camilus, all of NY (US); **Joseph P. Gardner**, North Ridgeville, OH (US)

(73) Assignee: **Eveready Battery Company, Inc.**, St. Louis, MO (US)

(\*\*) Term: **14 Years**

(21) Appl. No.: **29/116,345**

(22) Filed: **Dec. 30, 1999**

(51) **LOC (7) Cl.** ..... **26-02**

(52) **U.S. Cl.** ..... **D26/49**

(58) **Field of Search** ..... D26/37-50; 362/157, 362/158, 171, 173, 183-208

(56) **References Cited**

**U.S. PATENT DOCUMENTS**

- D. 427,702 \* 7/2000 Sharrak et al. .... D26/49
- D. 428,505 \* 7/2000 Man ..... D26/49
- D. 431,085 \* 9/2000 Poon ..... D26/49

D. 433,523 \* 11/2000 Poon ..... D26/49

\* cited by examiner

*Primary Examiner*—Marcus A. Jackson

(74) *Attorney, Agent, or Firm*—Robert W. Welsh

(57) **CLAIM**

The ornamental design for flashlight, as shown and described.

**DESCRIPTION**

FIG. 1 is a perspective view showing the front and a first side of the flashlight of the present invention, with the broken line showing for illustrative purposes only and forming no part of the claimed design;

FIG. 2 is an elevational view of a second side of the flashlight of the present invention;

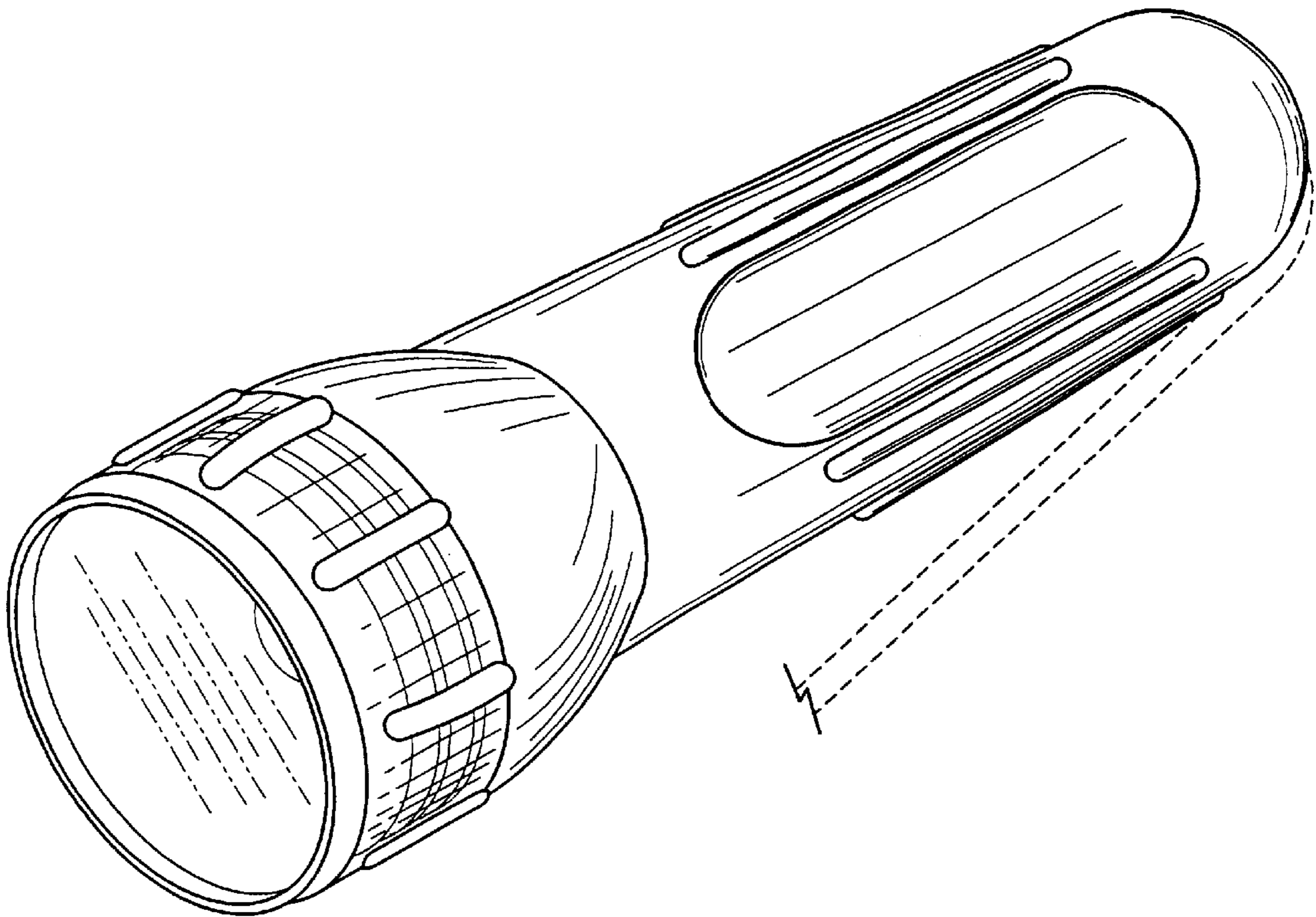
FIG. 3 is an elevational view of the top of the flashlight of the present invention;

FIG. 4 is an elevational view of the front of the flashlight of the present invention; and,

FIG. 5 is an elevational view of the rear of the flashlight of the present invention.

The top and bottom of the flashlight are substantially identical and the first and second sides are substantially identical.

**1 Claim, 2 Drawing Sheets**



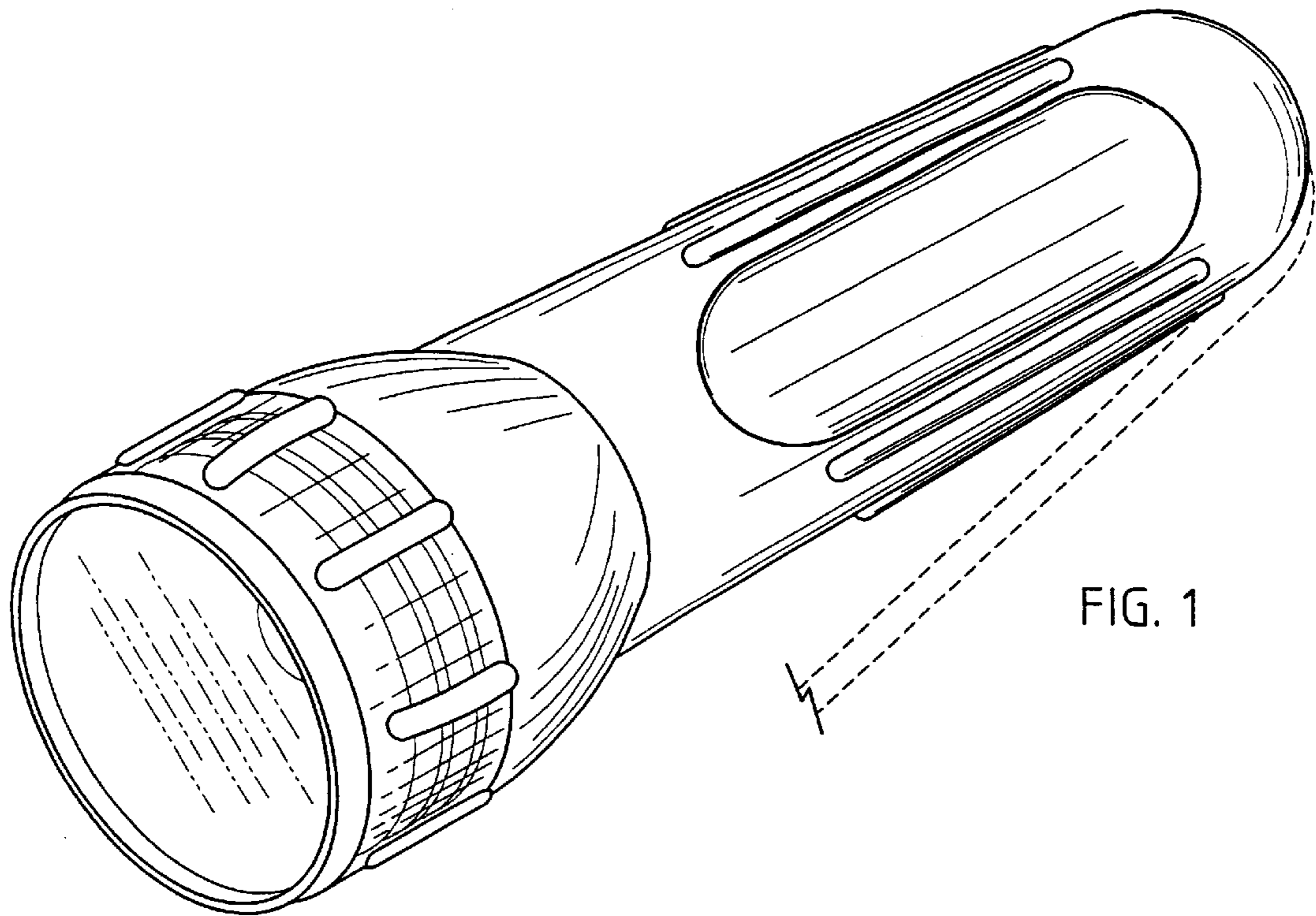


FIG. 1

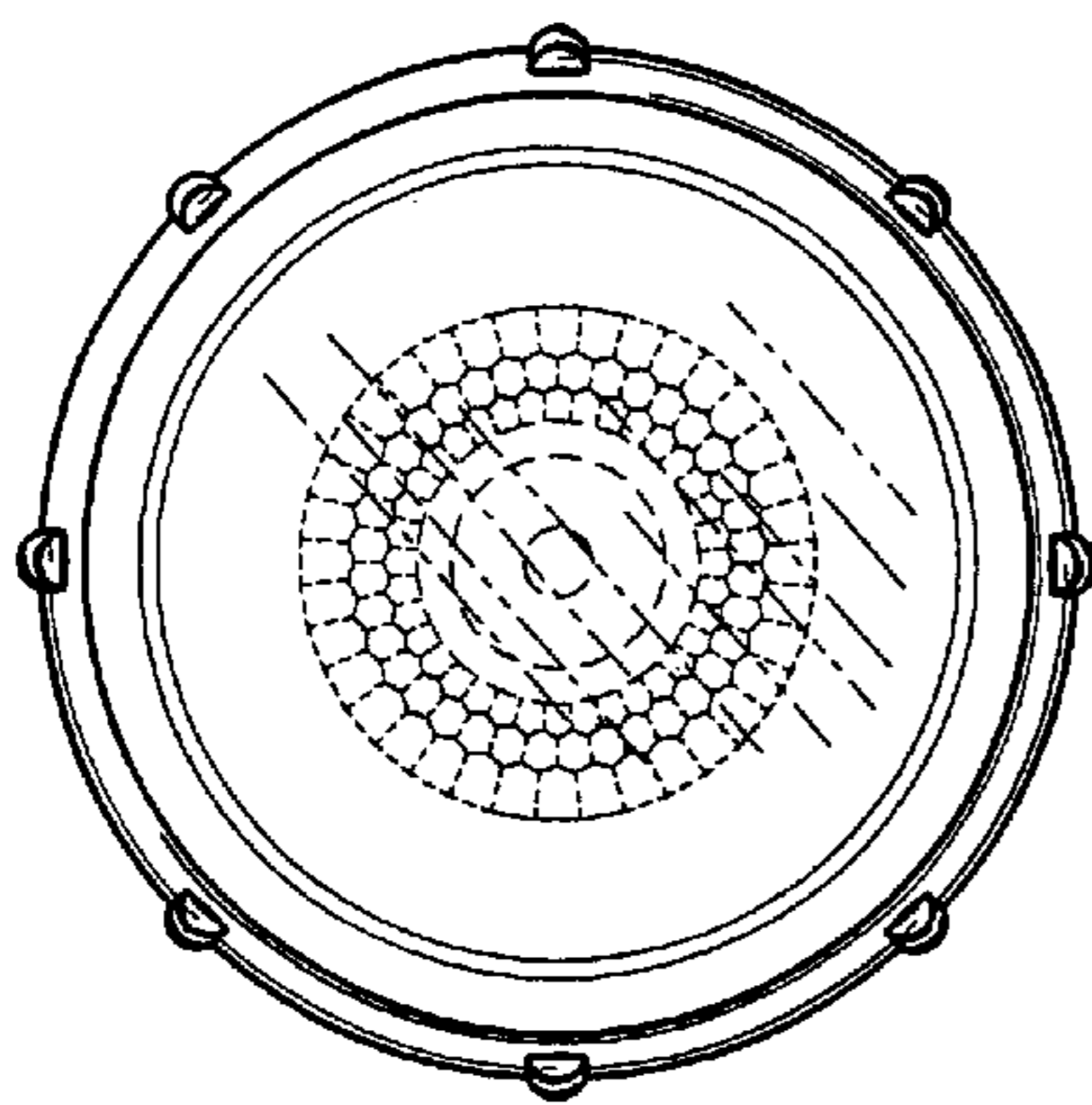


FIG. 4

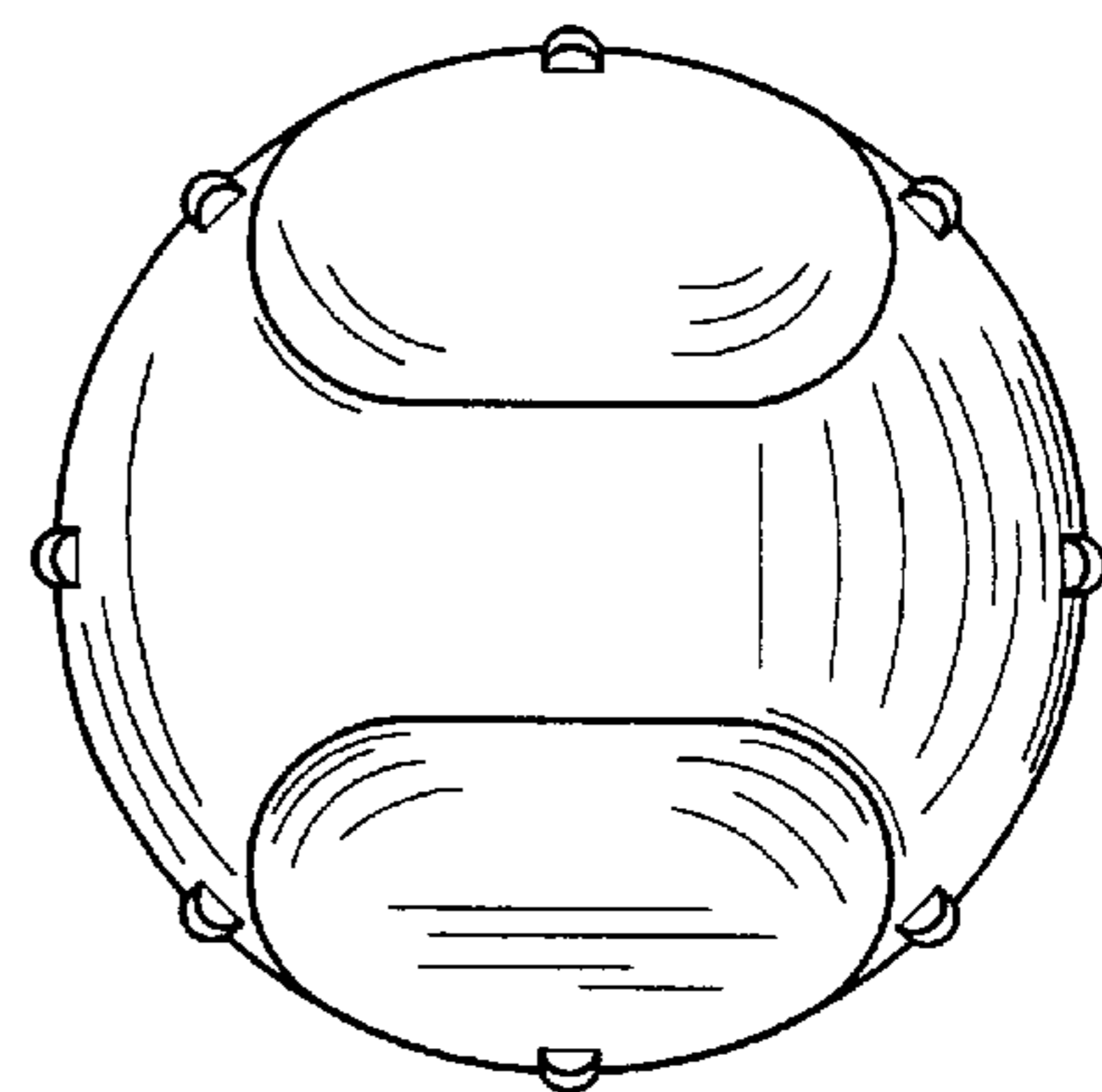


FIG. 5

FIG. 2

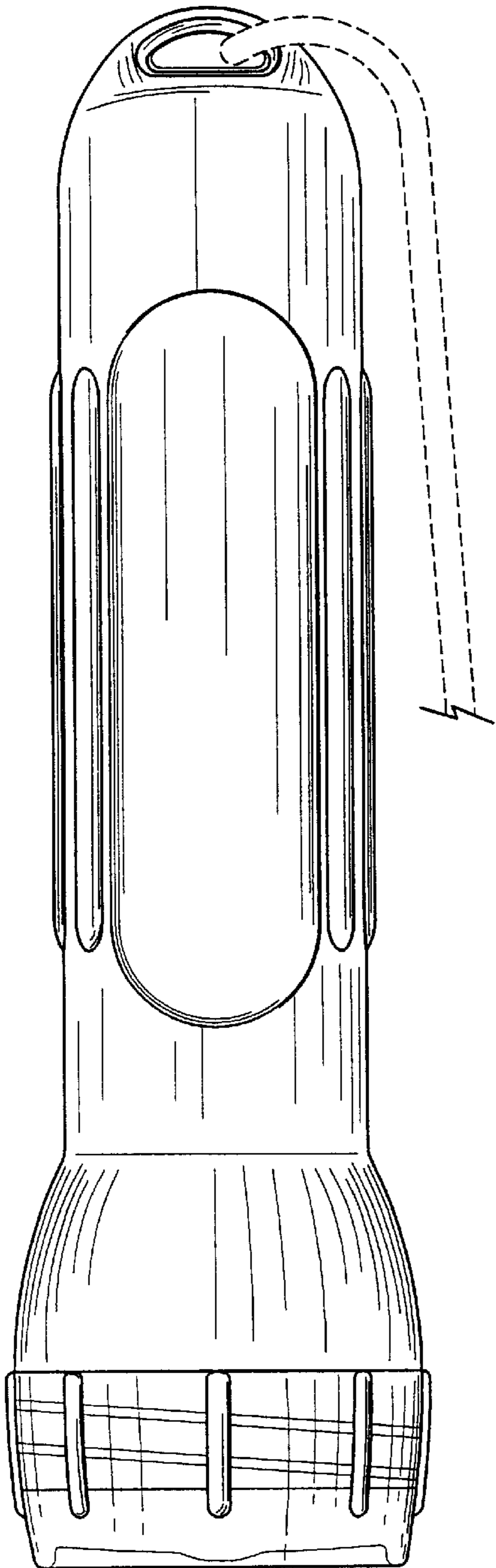


FIG. 3

